

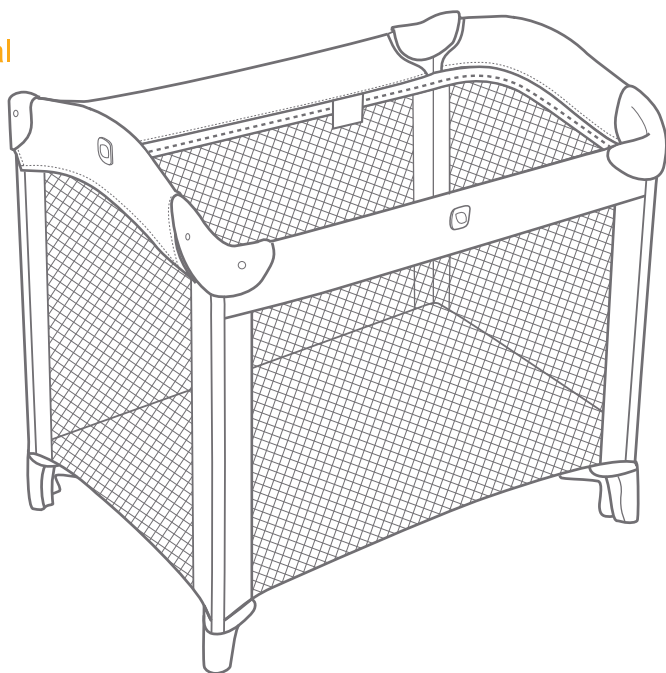
Joie™

birth to 15kg

# Commuter™

## Travel Cot

GB Instruction Manual



### IMPORTANT

BEFORE ASSEMBLING THIS COT READ AND UNDERSTAND THE INSTRUCTIONS.

Do not use mattress other than the one supplied by the manufacturer.

Incorrect mattress can cause death.

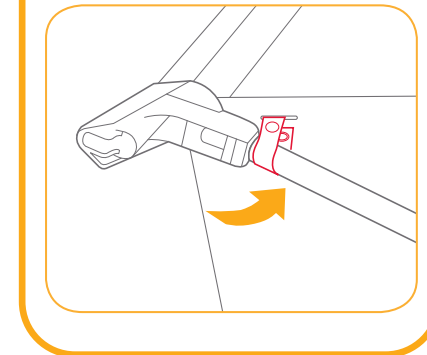
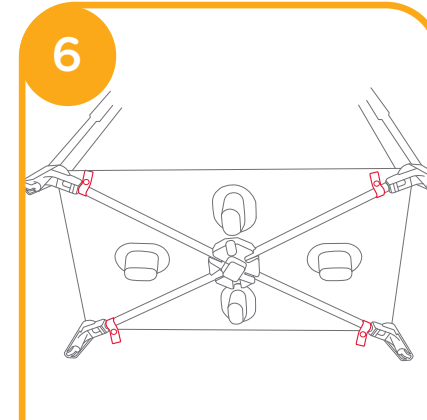
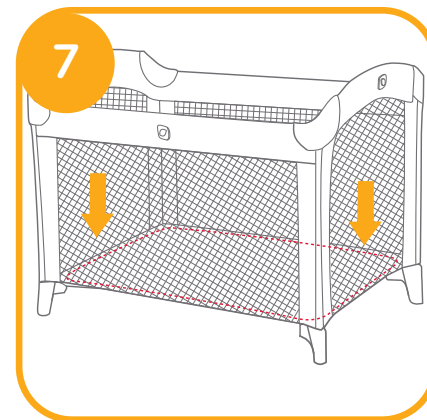
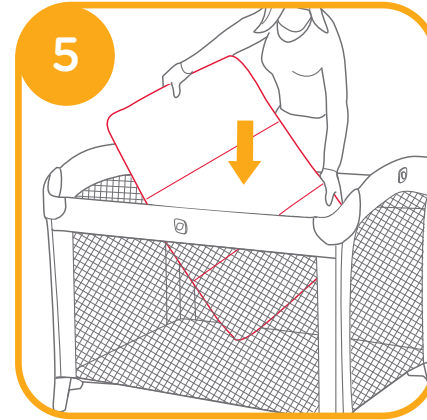
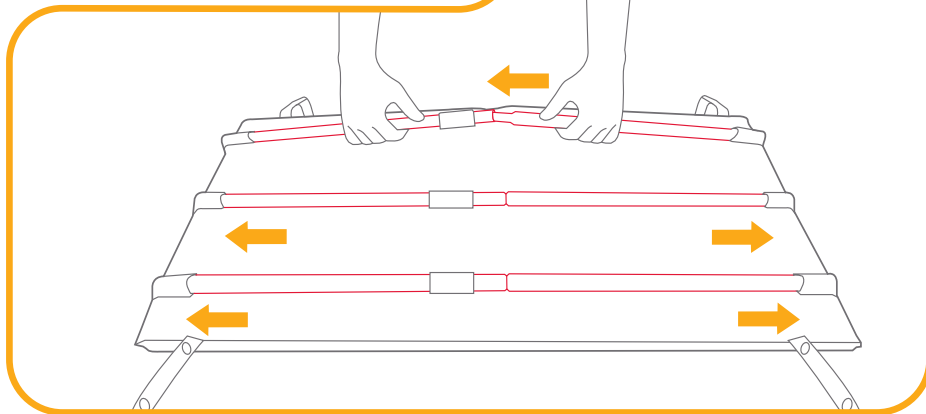
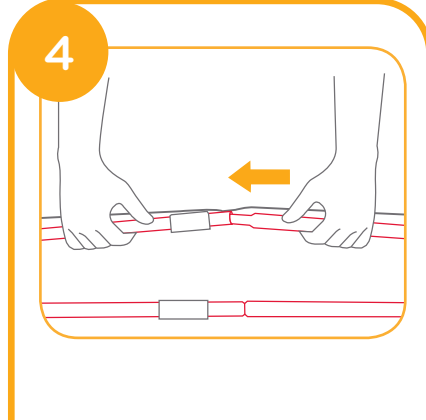
Use only accessories as recommended by the manufacturers.

Ensure the top rails and base are fully locked.

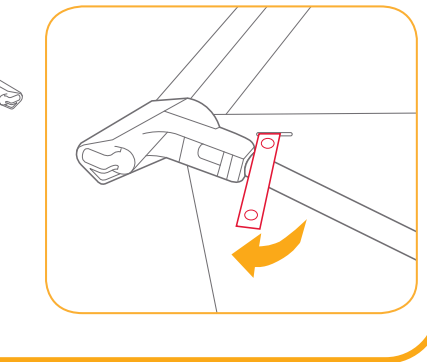
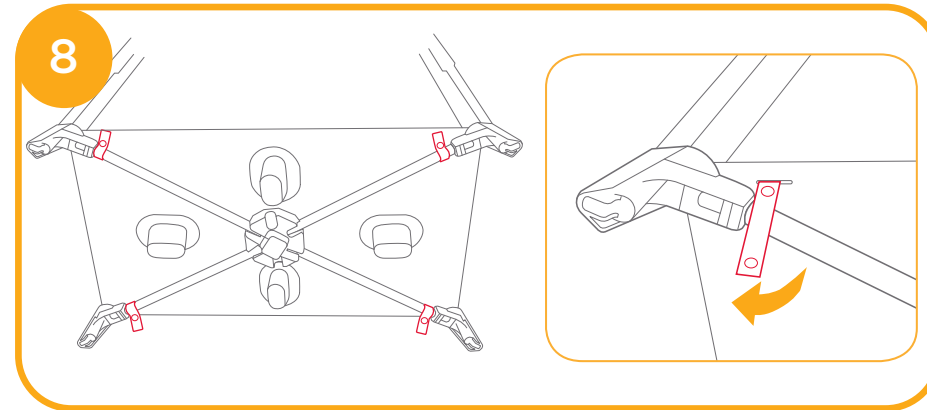
Stop using this cot if any part of the cot is broken, torn or missing.

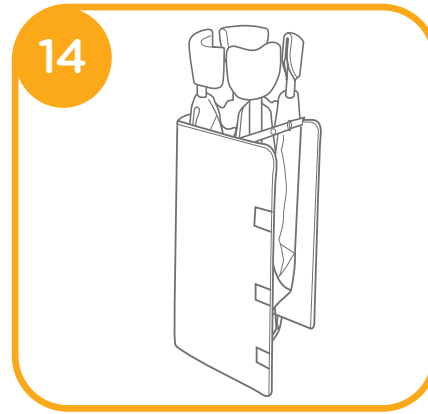
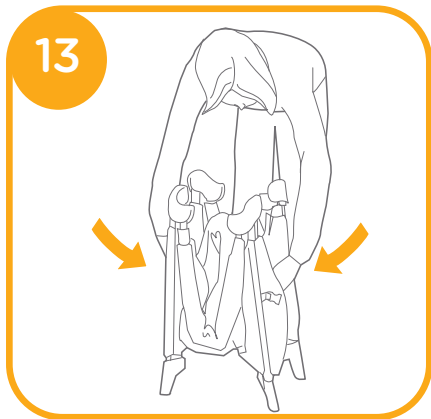
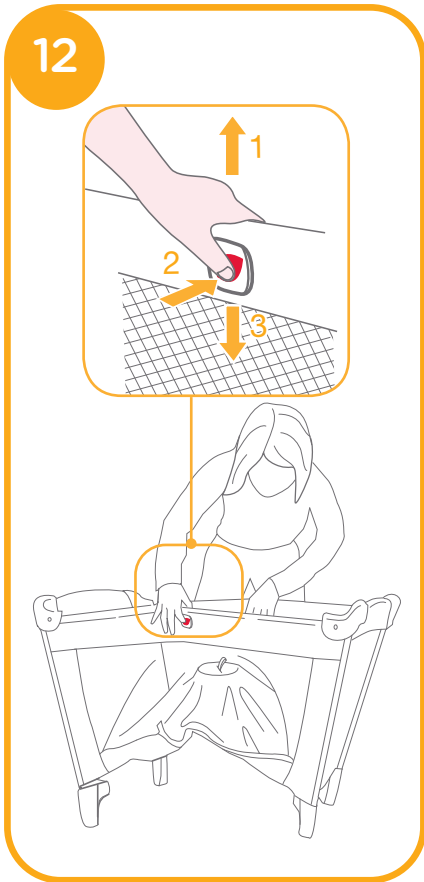
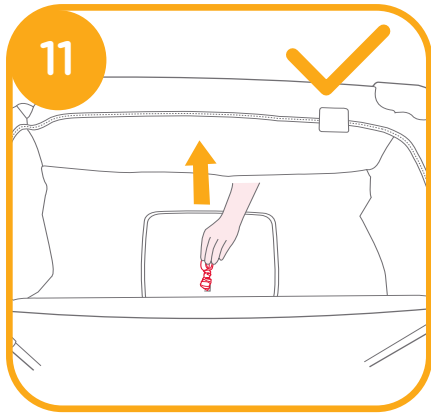
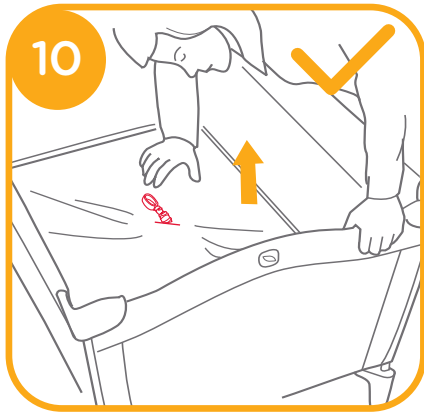
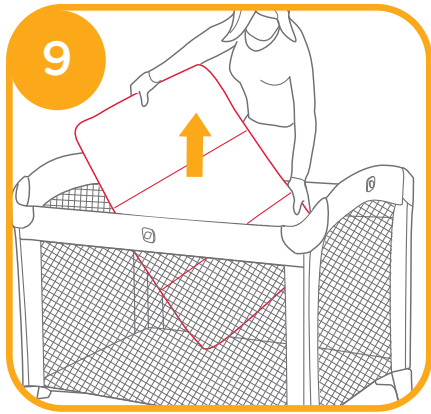
KEEP THESE INSTRUCTIONS IN A SAFE PLACE FOR FUTURE REFERENCE.

### Travel Cot Assembly

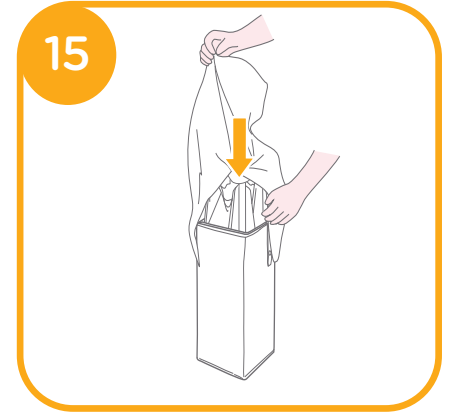


### Fold Travel Cot

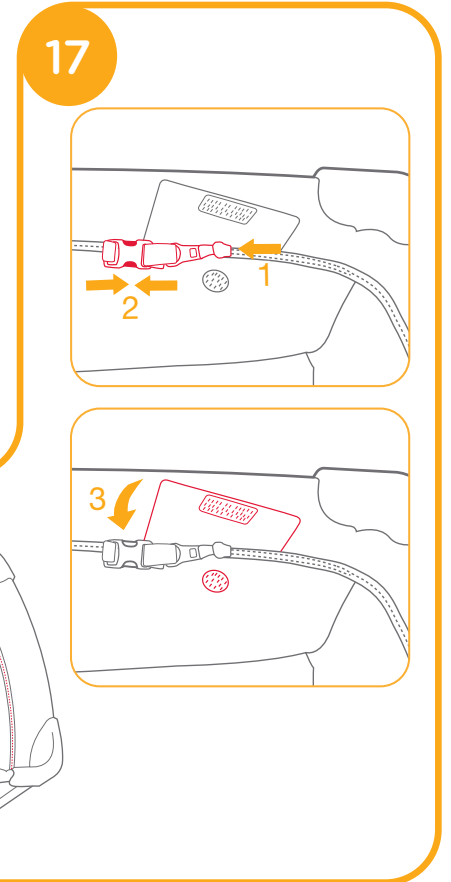
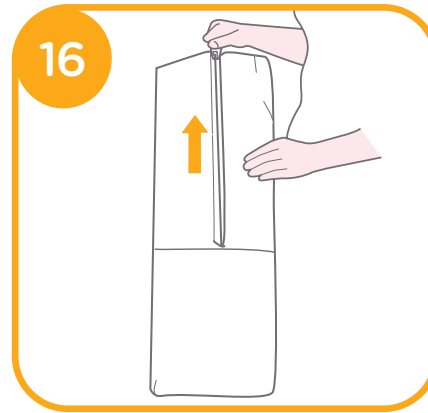


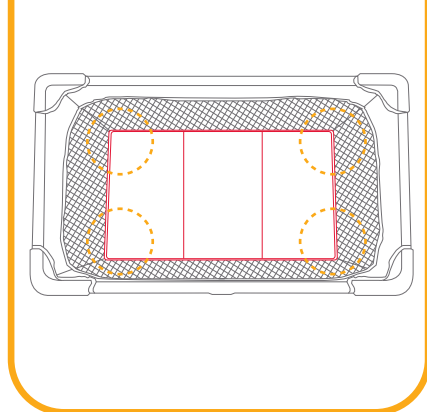
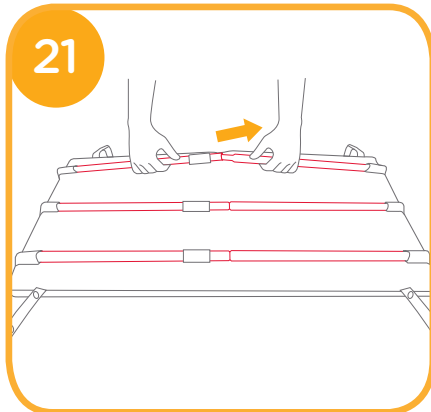
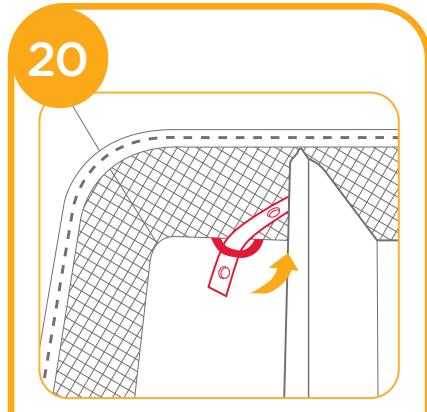
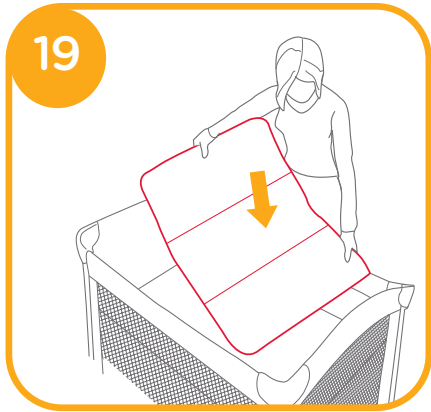
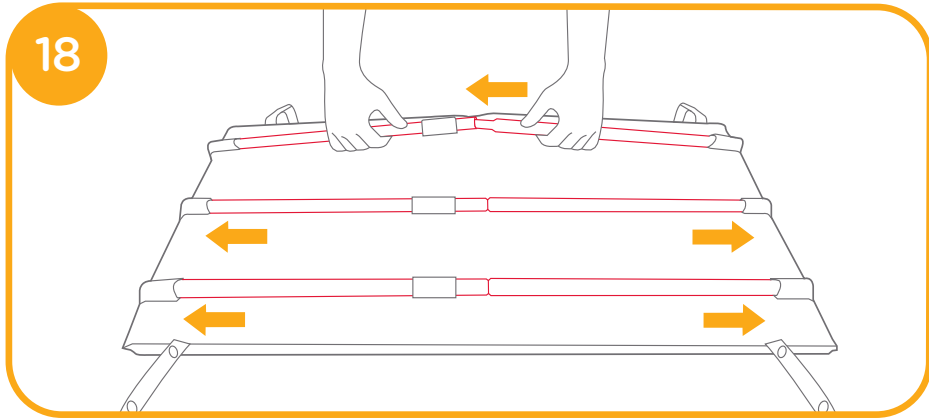


### Cover Travel Cot

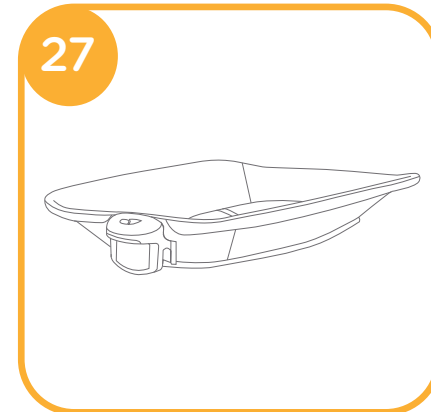
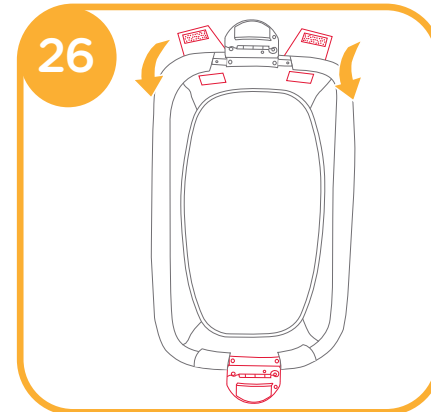
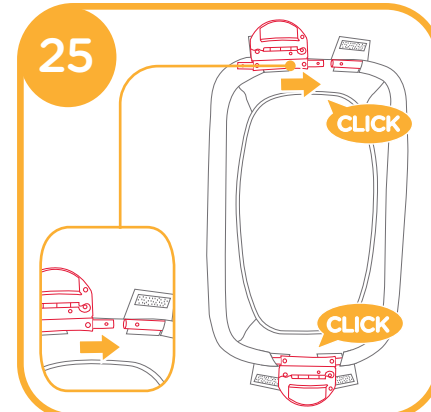
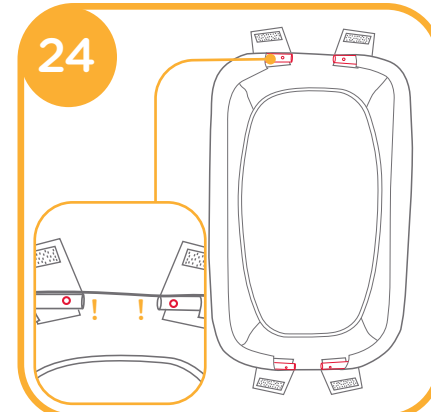
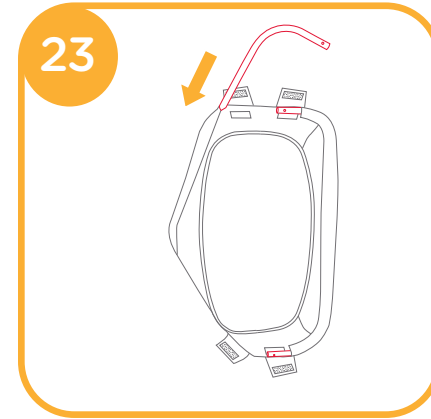
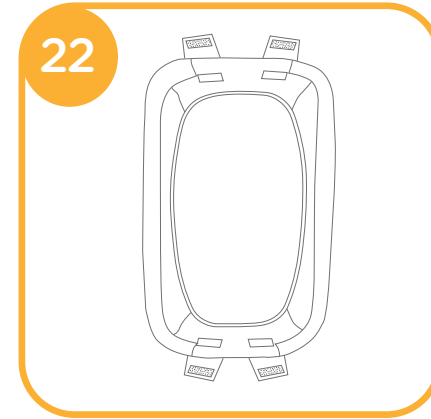


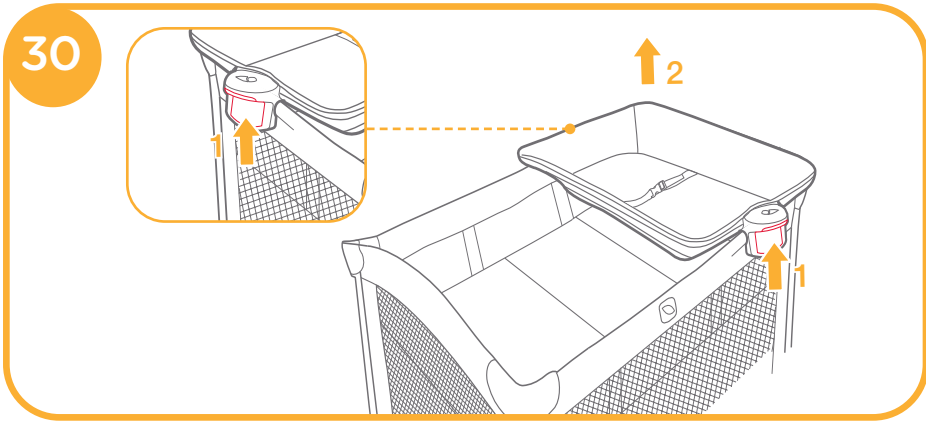
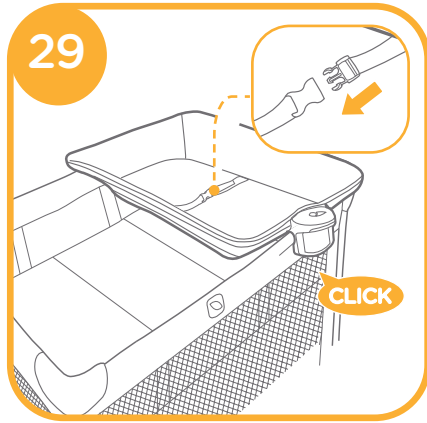
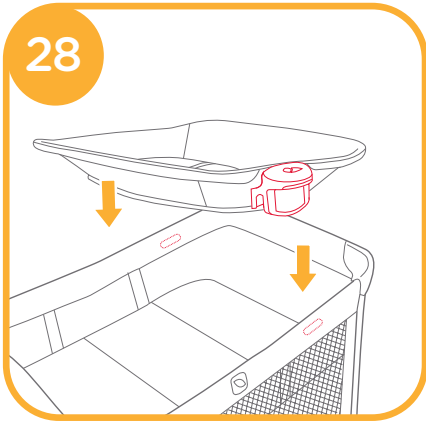
### Bassinet Assembly





### Changer Assembly





NOTE

# GB Welcome to Joie™

Congratulations on becoming part of the Joie family! We are so excited to be part of your life with your little one. While using the Joie Commuter, your baby is enjoying a high quality, fully certified travel cot, approved to AS/NZS 8811.1:2013 and AS/NZS 2195:2010+A2:2015 and Consumer Protection Notice No. 4 of 2008. This product is suitable for use with children weighing under 15kg (approximately 0-4 years). Please carefully read this manual and follow each step to ensure a comfortable sleeping and best protection for your child.

Please keep the Instruction Manual handy for future reference.

Visit us at [Joiebaby.com](http://Joiebaby.com) to download manuals and see more exciting Joie products.

For warranty information, please visit our website at [joiebaby.com](http://joiebaby.com)

## Contents

Figures	1-7
Warning	11
Travel Cot Assembly	12
Fold Travel Cot	12
Cover Travel Cot	13
Bassinet Assembly	13
Changer Assembly	13
Care and Maintenance	13

## Emergency

In case of emergency or accident, it is most important to have your child taken care of with first aid and medical treatment immediately.

## Product Information

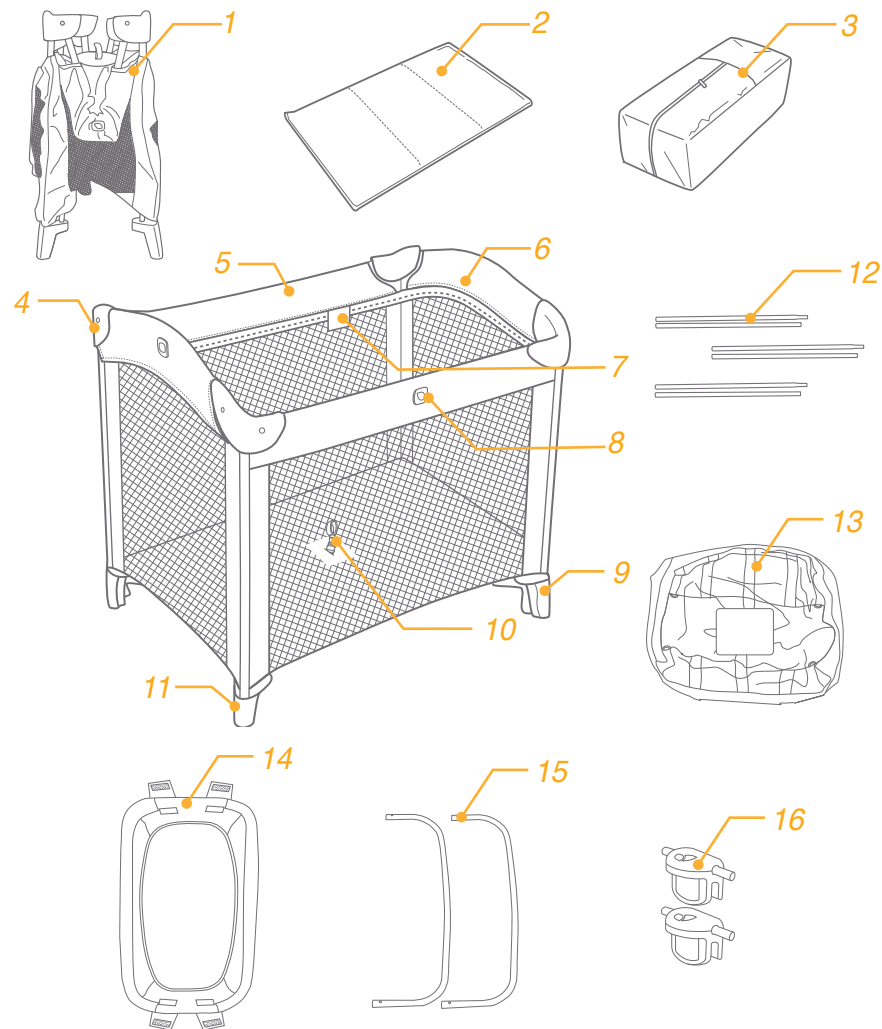
Read all the instructions in this manual before using this product. If you have any further questions, please consult the retailer. Some features may vary depending on model.

Product	Commuter Travel Cot
Suitable for	Birth to 15kg (approximately 0-48 months)
Product	Changer
Suitable for	Discontinue using changer when child reaches 11kg (approximately 0 - 12 months) or is able to climb out
Product	Bassinet
Suitable for	Discontinue using bassinet when child can sit, kneel or roll over or pull itself (approximately 0-6 months).
Materials	Plastics, metal, fabrics
Patent No.	Patents pending
Made in	China
Brand Name	Joie
Website	<a href="http://www.joiebaby.com">www.joiebaby.com</a>

## Parts List

Make sure all parts are available before assembly. Accessories may be sold separately or may not be available depending on region. If any part is missing, please contact local retailer. No tools are required for assembly.

- |              |                    |                                  |
|--------------|--------------------|----------------------------------|
| 1 Travel Cot | 7 Zipper           | 13 Bassinet                      |
| 2 Mattress   | 8 Latch Button     | 14 Soft Goods                    |
| 3 Carry Bag  | 9 Foot             | 15 Support Tube (X2)             |
| 4 Corner     | 10 Folding Webbing | 16 Support Plastic Assembly (X2) |
| 5 Long Rail  | 11 Foot            |                                  |
| 6 Short Rail | 12 Support Tube    |                                  |



## WARNING

- USE ONLY THE MATTRESS SUPPLIED BY THE MANUFACTURER, INCORRECT MATTRESSES CAN CAUSE DEATH.
- Use Only Accessories As Recommended By The Supplier.
- Ensure The Top Rails And Base Are Fully Locked.
- Do Not Use This Cot If Any Part Of The Cot Is Broken, Torn Or Missing.
- TO PREVENT FALLS, THE BASSINET MUST NOT BE USED ONCE A CHILD CAN SIT UP.
- THIS BASSINET SHOULD BE REMOVED BEFORE THE CHILD CAN SIT UP.
- NEVER PLACE A CHILD IN THE COT WHEN THIS BASSINET IS IN PLACE.
- USE ONLY THE MATTRESS SUPPLIED BY THE MANUFACTURER.
- Keep children away while assembling/disassembling the cot.
- Do not leave anything on the folding cot (such as toys) that provide a foothold.
- Do not use the folding cot near naked heat sources, bar heaters, open fires or exposed flames.
- Keep the folding cot clear of trailing cables and hanging cords.
- Keep medication and small items that a child could choke on, away from the cot.
- The folding cots with padded rims should not be used if the covering material has been bitten through.
- All assembly fittings should always be tightened properly and that fittings should be checked regularly and retightened as necessary.
- NEVER LEAVE CHILD UNATTENDED. Always keep your child in view.
- Always use on a flat, level floor.
- Only use the mattress sold with this cot, do not add a second mattress on this one, suffocation hazards.
- To avoid suffocation, remove plastic bag and packaging materials before using this product. The plastic bag and packaging materials should then be kept away from babies and children.
- Check that the assembly of the folding cot is correct and safe.
- Check that the locking devices are fully engaged.
- Carry out the assembly of the folding cot in a particular order.
- Secure, tighten and maintain all fastening devices.
- INCORRECT MATTRESS CAN CAUSE DEATH.
- The bassinet can not be used separately. The bassinet needs to be used with mainframe sold together.

- NEVER PLACE A CHILD IN THE COT WHEN THE CHANGER TABLE IS IN PLACE.
- ALWAYS USE THE HARNESS WHEN USING THE CHANGER TABLE.
- NEVER PLACE A CHILD IN THE COT WHEN THE BASSINET IS IN PLACE.

## Travel Cot Assembly

see images 1 - 7

Please read all the instructions in this manual before setting up and using this product.

1. Pull the short rails up until both become rigid. If not rigid, pull up again until they are rigid. 1
  - ! If short rails do not latch, raise the base of floor halfway up, and then pull up again to latch the rails.
2. Latch the long rails. 2
3. Push the base of floor down. 3
  - ! Be sure all rails have locked before lowering base.
4. Assemble the support tubes. 4
5. Install mattress. 5
6. Pull the strap through the button hole on the bottom of the travel cot. Wrap the strap around the tube and fasten the snaps. Repeat on the other corners. 6
  - ! Push down on all four corners of the mattress to ensure the mattress is secured to the bottom of the travel cot.
7. Install mattress, soft side up. 7

It can be used when the installation mode is correct.

- ! Take care and pay attention when assembling the cot to prevent injury.

## Fold Travel Cot

see images 8 - 14

1. Remove the mattress. 8 9
  - ! Remove support tube as shown in 21
2. Pull the folding webbing upward. 10 11
  - ! Do not unlock rails yet. Base of floor must be halfway up before rails will unlock.
3. Unlock all four rails by following these steps.
  - 1) Slightly lift the base of the rails. 12
  - 2) Squeeze the latch button on the rail to release the two tubes. 12
    - ! Do not force fold.
    - ! Both tubes must be released for the rail to fold, if rail does not fold completely, please lift the base of floor higher, and then try again from step 3.
4. Fold the unit, but do not force. 13 14
  - ! If unit will not fold, look for a partially latched rail. Squeeze the latch button to release the rail.
  - ! Take care and pay attention when folding the cot to prevent injury.

## Cover Travel Cot

see images 15 - 16

Cover unit with carry bag 15, and then zip together. 16

## Bassinet Assembly

see images 17 - 21

**Tip** Before setting up bassinet, make sure all rails have become rigid.

1. Zip up the bassinet and secure the zipper head with buckle, then cover it with flap. 17
  - ! Must zip up the bassinet completely without crevice before using.
2. Assemble the support tubes. 18
3. Place the mattress into the bassinet. 19
  - ! Place mattress, soft side up.
4. The installed bassinet is shown as 20
5. It can be used when the installation mode is correct.
6. Remove support tube as shown in 21
  - ! Take care and pay attention when assembling and removing the bassinet to prevent injury.

## Changer Assembly

see images 22 - 30

! The changer must be used with travel cot on the part of Joie models.

It can be used when the installation mode is correct.

! Take care and pay attention when assembling and removing the changer to prevent injury.

## Care and Maintenance

1. The covering material is not removable.
2. Your travel cot can be spot cleaned with a sponge and soapy water.
3. Do not use undiluted neutral detergent, gasoline or other organic solvent to wash the travel cot. It may cause damage to the travel cot.
4. To wash carry bag, machine wash in lukewarm water and drip-dry. Do not use bleach.
5. At the beach or in the garden, clean sand and grit off your travel cot. Sand in the long rail locks may cause damage.
6. From time to time, check your travel cot for worn parts, torn material or stitching. Replace or repair the parts as needed.
7. If the travel cot is not in use for a long period of time, please put it in the shade where your child cannot access it.

## NOTE



The logo for Joie, featuring the word "Joie" in a white, rounded, sans-serif font with a small leaf icon above the letter 'i'. A trademark symbol (TM) is positioned to the upper right of the word. The logo is set against a solid orange square background.

Joie™

Nuna Baby Australia Pty Ltd.  
Unit 1, 35 Lyn Parade Prestons,  
NSW Australia 2170

bring the kids™

Share the joy at [joiebaby.com](http://joiebaby.com)

IM-000380E