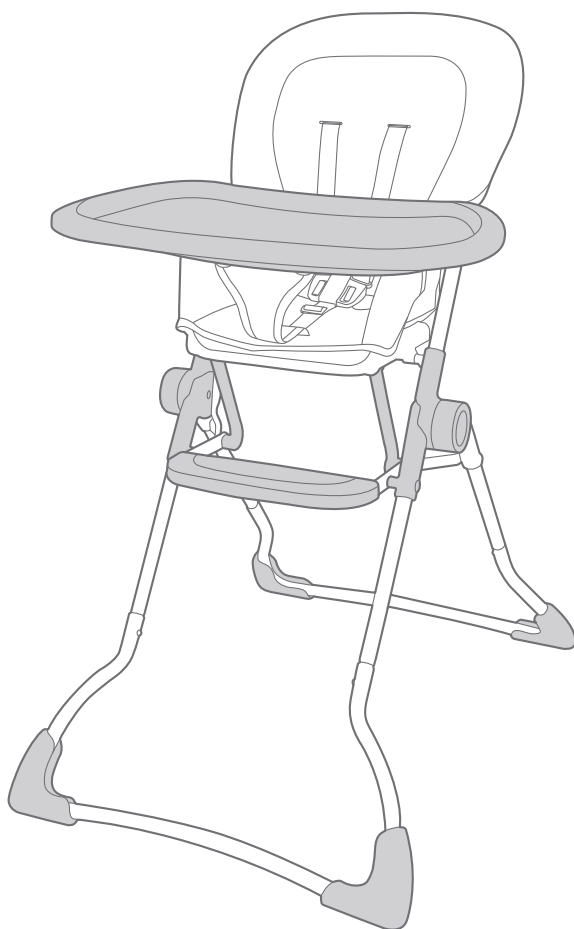


bright
by **Joie™**

Daisie™

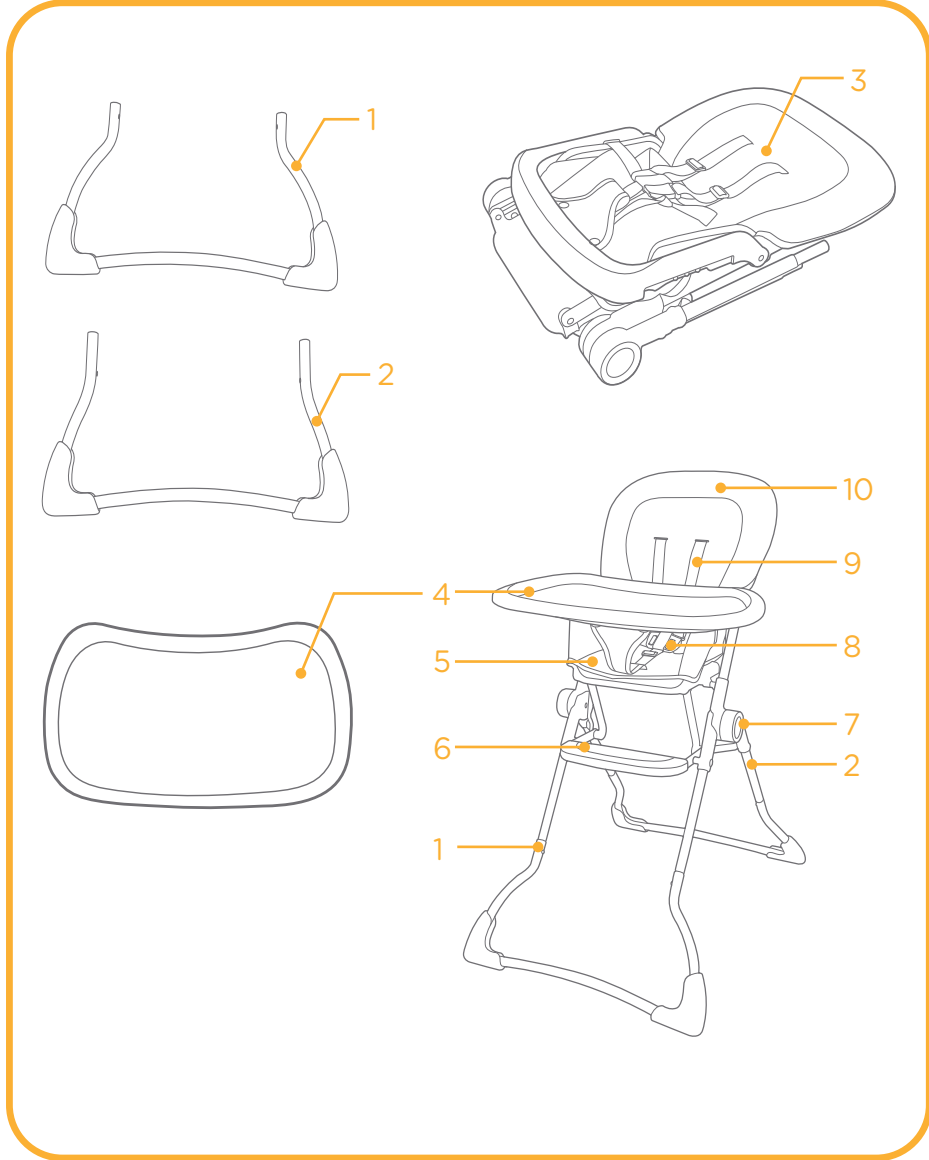
highchair

instruction manual

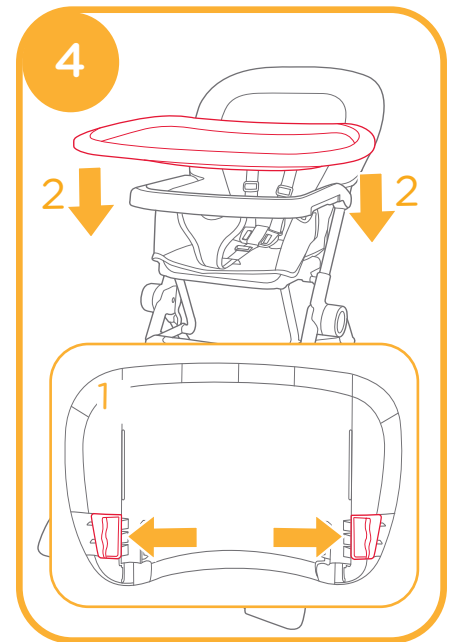
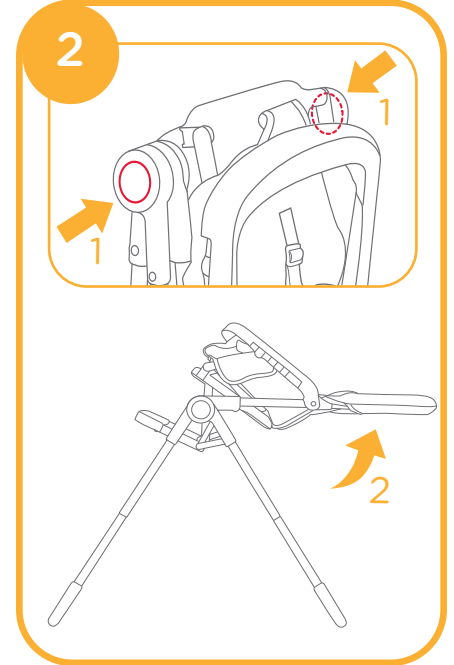
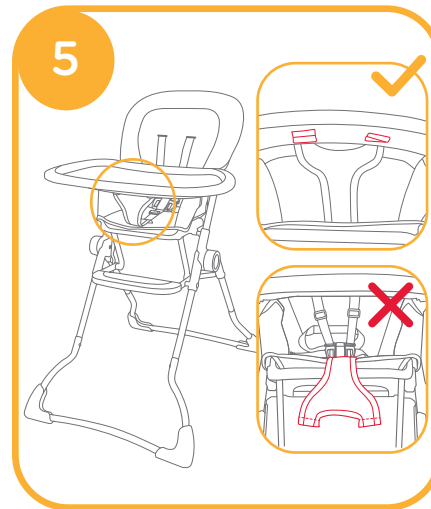
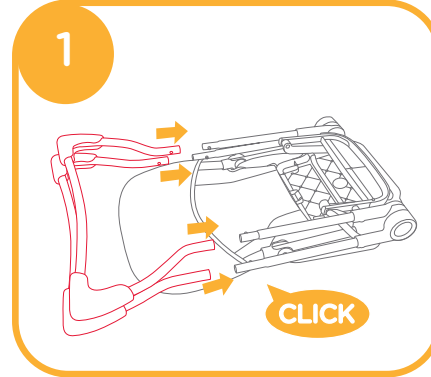


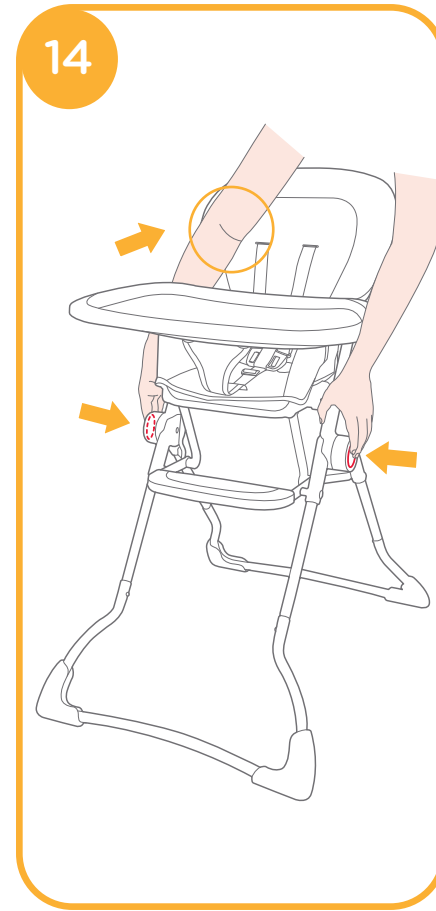
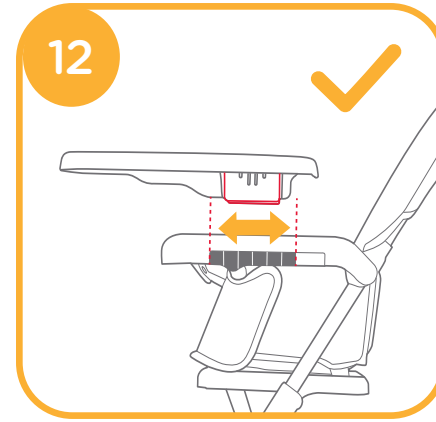
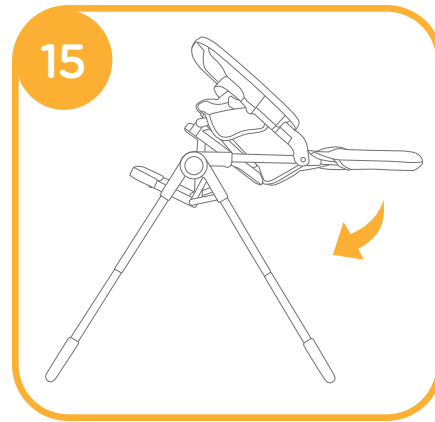
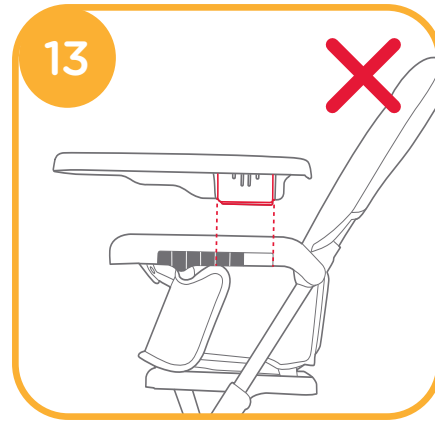
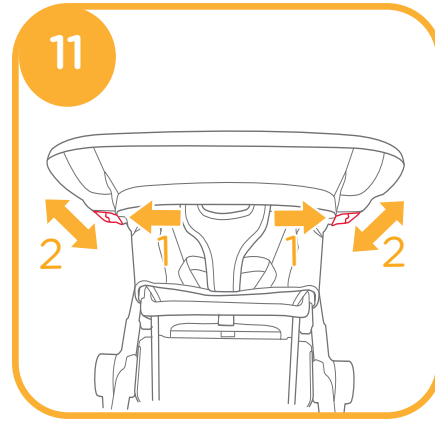
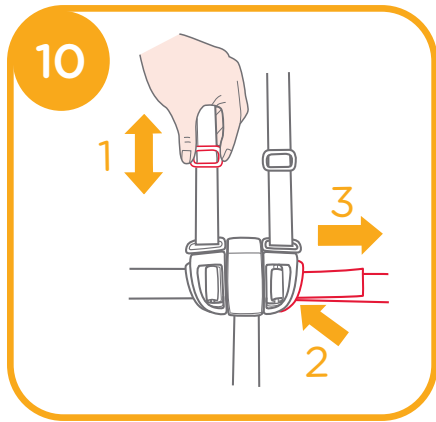
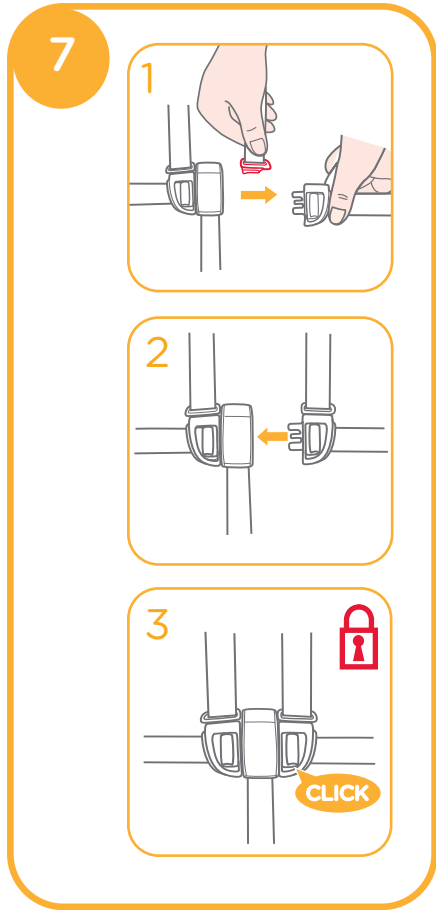
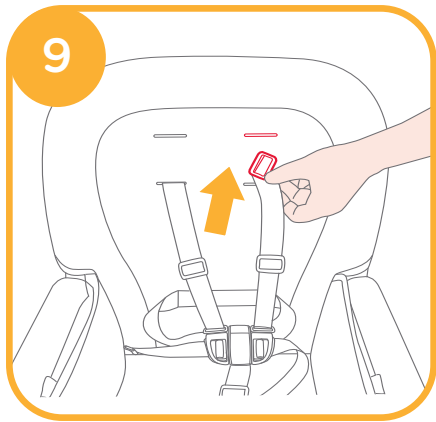
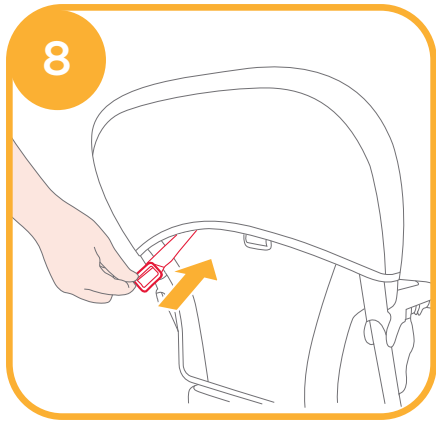
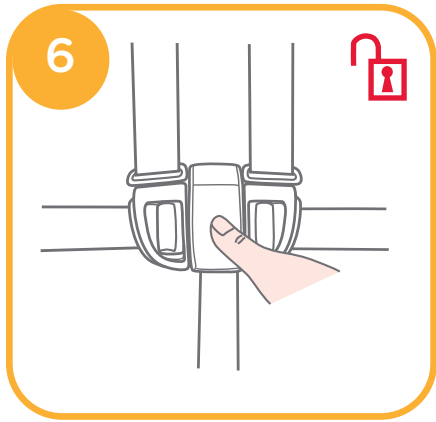
**IMPORTANT! READ CAREFULLY AND
KEEP FOR FUTURE REFERENCE**

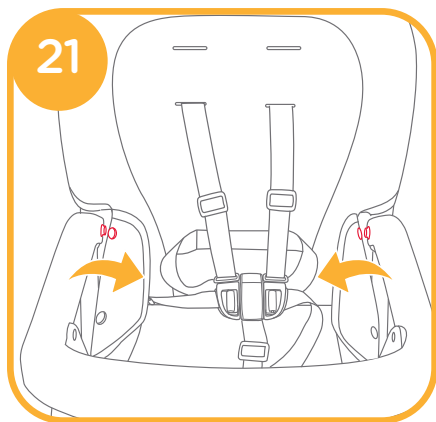
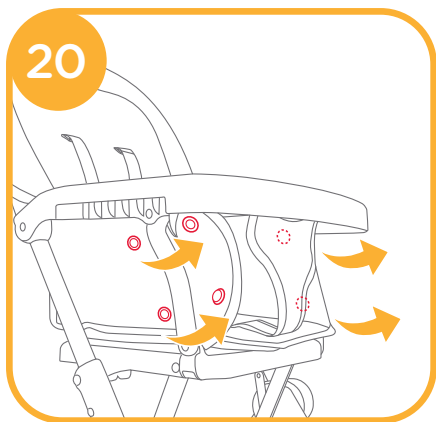
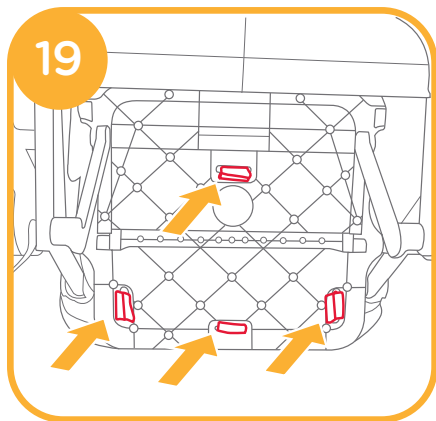
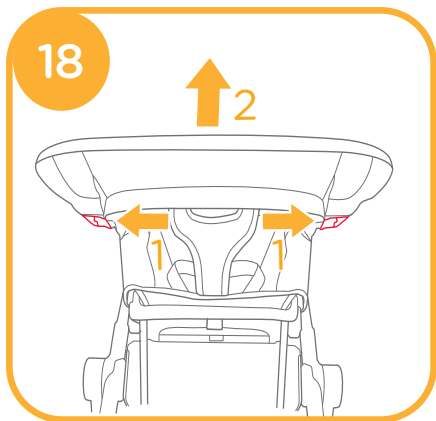
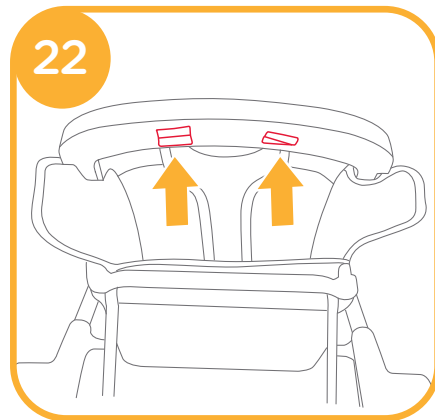
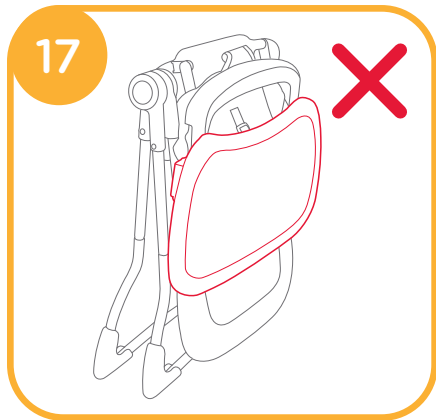
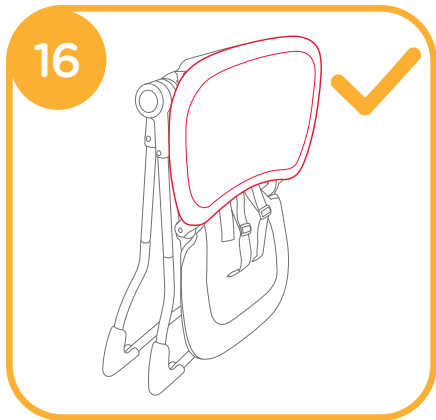
Parts List



Highchair Assembly







Congratulations on becoming part of the Joie family! We are so excited to be part of your life with your little one. While using the Joie Daisie™, your baby is enjoying a high quality, fully certified highchair, approved to European safety standards EN 14988:2017+A2:2024. When using as highchair, the suitable age is 6-36 months. Please carefully read this manual and follow each step to ensure a comfortable using and best protection for your child.

Please keep the Instruction Manual handy for future reference.

Visit us at Joiebaby.com to download manuals and see more exciting Joie products.

For warranty information, please visit our website at joiebaby.com

! IMPORTANT! READ CAREFULLY AND KEEP FOR FUTURE REFERENCE.

Emergency

In case of emergency or accident, it is most important to have your child taken care of with first aid and medical treatment immediately.

Parts List

Make sure all parts are available before assembly. If any part is missing, please contact local retailer.

1 Front Leg	5 Seat Pad	9 Shoulder Harness
2 Rear Leg	6 Footrest	10 Backrest
3 Seat	7 Folding Button	
4 Tray	8 5-Point Buckle	

WARNINGS

- ! Read all the instructions in this manual before using this product.
- ! Adult assembly required.
- ! Never leave the child unattended.
- ! Always use the restraint system.
- ! Always use the crotch restraint system.
- ! Falling hazard: Prevent your child from climbing on the product.
- ! DO NOT use the product unless all components are correctly fitted and adjusted.
- ! Be aware of the risk of open fires and other sources of strong heat in the vicinity of the product.
- ! Be aware of the risk of tilting when your child can push its feet against a table or any other structure.
- ! Please keep instruction manual for future reference.
- ! Keep children away when unfolding and folding the product to avoid injury.
- ! The product is intended for children able to sit up unaided and up to 3 years or a maximum weight of 15 kg.
- ! DO NOT use the product until the child can sit up unaided.
- ! Never let the child sleep in this product. This product does not replace a cot or a bed. Should the child fall asleep, then it should be placed in a suitable cot or crib.
- ! Failure to follow these warnings and the assembly instructions could result in danger.
- ! DO NOT make any modification to this highchair or use it along with component parts from other manufacturers.
- ! DO NOT use the product if any part is broken, torn or missing.
- ! DO NOT use accessories or replacement parts other than those approved by the manufacturer.
- ! To prevent serious injury or death from falling or sliding out, always secure child in the restraint.
- ! Secure your child at all times with the restraint system provided, either in the reclining or upright position. The tray is not designed to hold your child in the product.
- ! DO NOT allow your child to stand in or on the highchair.
- ! DO NOT move or lift this product with the baby inside it.
- ! DO NOT allow children to play with or around highchair while occupied.
- ! DO NOT allow children to lean over sides of highchair. It may become unbalanced and tip over.

- ! DO NOT place any heavy bags, packages, or other items on the highchair tray. They may cause the chair to tip over.
- ! Always use on a flat and level floor.
- ! To avoid strangulation hazard, DO NOT place product in any location where there are cords such as window blind cords, drapes, phone cords, etc.
- ! All assembly fittings should be unfolded completely and tightened properly before using the product.
- ! Regularly check the locks and fittings for security.
- ! Regularly inspect the product for damaged hardware, loose joints, missing parts or sharp edges.
- ! Remove your child from product before folding or adjusting the highchair.
- ! Make sure the product has been folded or unfolded completely before letting your child approach the highchair.
- ! Consult the distributor for issues concerning maintenance, repair and part replacement.
- ! DO NOT place food that is hot enough to burn child's skin on the tray.
- ! Make sure that any harness is correctly fitted.
- ! To avoid suffocation, remove plastic bag and packaging materials before using this product. The plastic bag and packaging materials should then be kept away from babies and children.
- ! Make sure the safety harness is correctly fitted.
- ! To prevent serious injury or death from falling or sliding out, always use the restraint system and ensure it is correctly fitted.

Assemble Highchair

see images 1 - 5

Please read all the instructions in this manual before assembling and using this product.

1. Align the tubes of leg assembly with those of seat assembly, and then insert to assemble. A "click" means both the two tubes are assembled properly. 1
 - ! Please check the legs are assembled well by pulling them apart.
2. Squeeze the folding button on both sides of highchair 2 -1, then open the highchair by rotating the backrest upwards 2 -2. A "click" means the backrest is locked completely. 3
 - ! Please check the backrest is securely locked by pushing the backrest back.
3. Place the tray over tray bar 4 -2 while pulling the button on both sides under the tray outward 4 -1 until a "click" is heard.

The assembled highchair is shown as 5

Use Buckle

see images 6 - 7

Note

1. To avoid serious injury from falling or sliding out always secure your child with harness.
2. Make sure your child is snugly secured and that the space between the child and the shoulder harness is about the thickness of one hand.
3. DO NOT cross the shoulder belts. This will cause pressure on child's neck.

Adjust Shoulder and waist Harnesses

see images 8 - 10

Note

1. The shoulder harness must go into the slot that is even with or slightly above the shoulders.
2. In order to protect your child from falling out after your child is placed into the seat check whether the shoulder harnesses are at proper height.
3. For larger child use the upper shoulder slots. For smaller child use the lower shoulder slots.

Choose a pair of proper shoulder harness holes, thread shoulder harnesses out off previous holes, 8 and then insert into desired holes. 9

Use slide adjuster to change the harness length 10 -1, press the button 10 -2 while pulling the waist harness to proper length. 10 -3

Use Tray

see images 11 - 13

Sliding the tray along the tray bar to a proper position 11 -2 while pulling the button under the tray outward 11 -1.

When using highchair, the tray should be placed in the tray adjustment area is shown as 12

- ! Ensure both sides of tray are in matching positions.
- ! Pull tray backward to ensure both guides are secure.

Fold Highchair

see images 14 - 17

! DO NOT fold the highchair with child in it.

1. Squeeze the folding button on both sides of highchair. 14
 2. Push the back rest down to fold backward. 15
 3. The folded highchair is shown as 16
 4. The tray cannot be assembled in reverse to avoid the problem of difficult opening of the highchair. 17
- ! The folded highchair can stand when the front and rear legs are adjusted apart until it balances on its own.

Detach Seat Pad

see images 18 - 23

1. Remove tray before detach seat pad. 18
2. Disassemble 4 pairs of webbings on the bottom of seat. 19
3. Disassemble 6 pairs of snaps on both sides of seat. 20 21
4. Disassemble 2 pairs of webbings on the bottom of armrest. 22
5. Remove seat pad from seat back. 23

To assemble seat pad in reverse steps.

Care and Maintenance

- ! Your seat pad can be spot cleaned with a sponge and soapy water. DO NOT use bleach.
- ! Drip dry the washed seat pad. DO NOT put in dryer.
- ! To clean the frame, wipe with a damp cloth then wipe out any traces of moisture on the frame with a dry cloth.
- ! DO NOT use undiluted neutral detergent, gasoline or other organic solvent to wash the highchair. It may cause damage to the highchair.
- ! From time to time, check your highchair for worn parts, torn material or stitching. Replace or repair the parts as needed.
- ! If the highchair is not in use for a long period of time, please put it in the shade and somewhere your child can not access it.

Note



Distributed by Allison AU Pty Ltd

ACN: 642 240 140

Unit 1, 35 Lyn Parade

Prestons

NSW Australia 2170

For after-sales & warranty service, contact:

1800 951 070

customerservice@allisonau.com.au