

Joie™

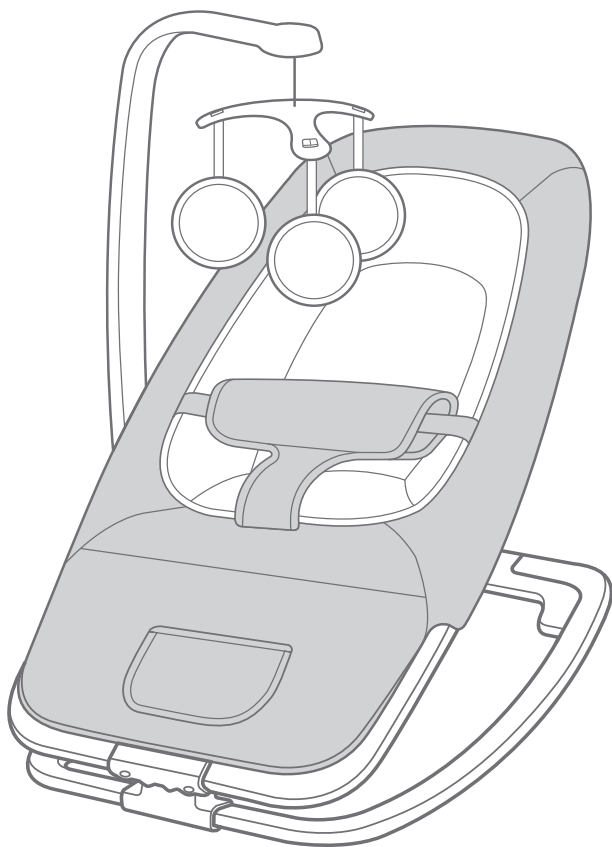
rocker: birth to 9 kg/ (birth - 6 months)

chair: 9 kg to 15 kg

dreamer™

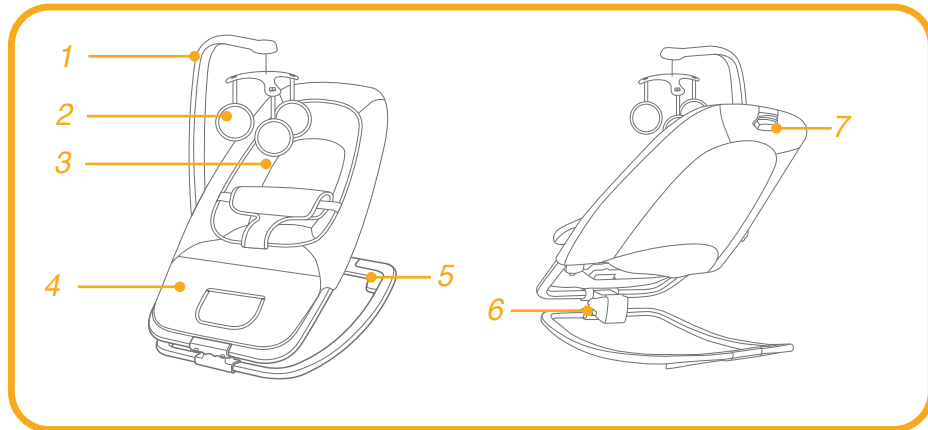
rocker

GB Instruction Manual

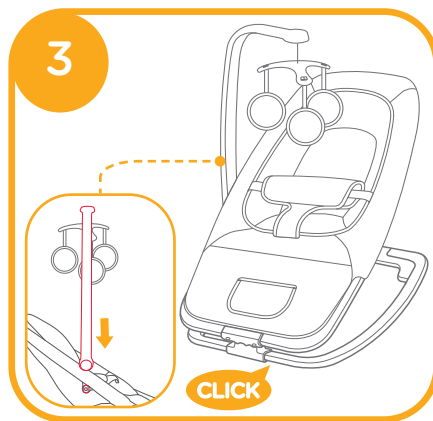
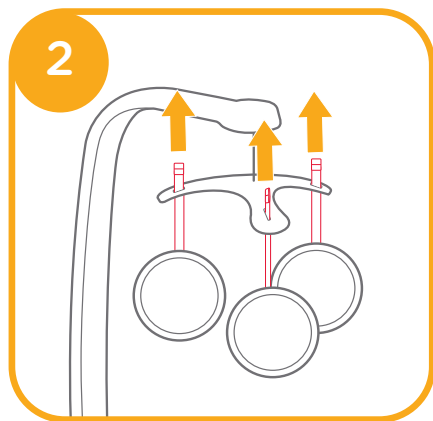
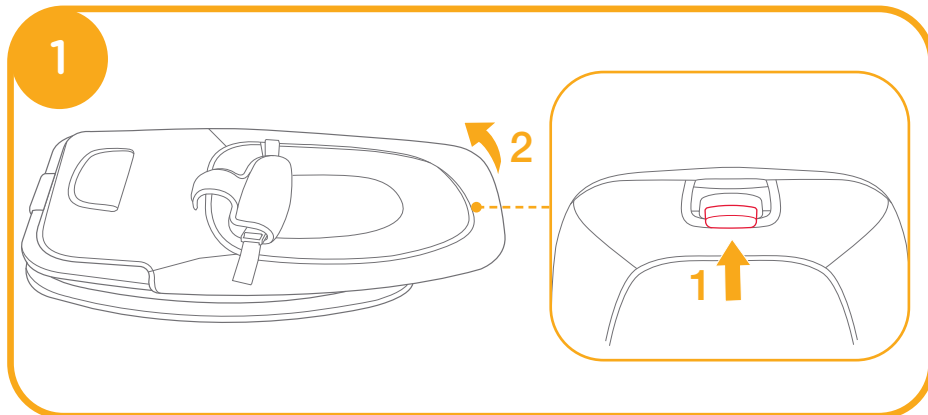


**IMPORTANT! READ CAREFULLY AND KEEP
FOR FUTURE REFERENCE**

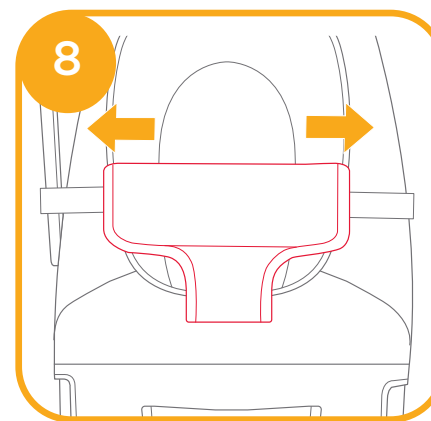
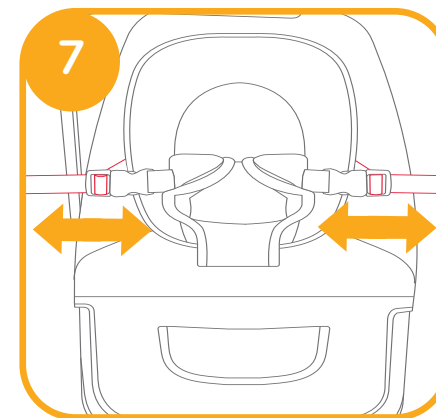
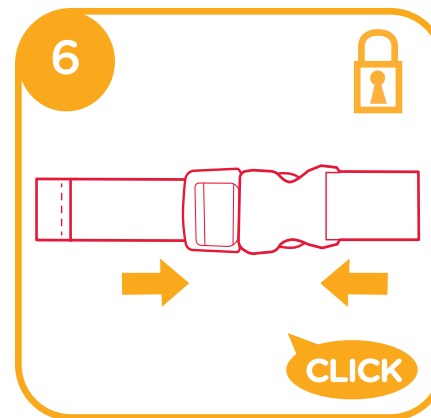
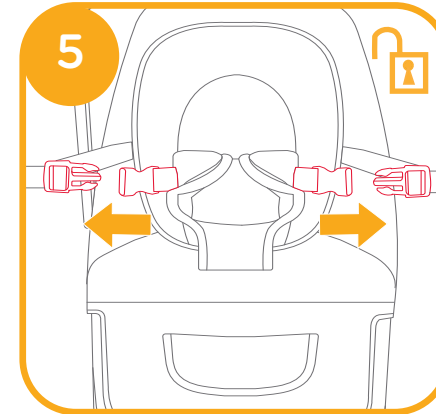
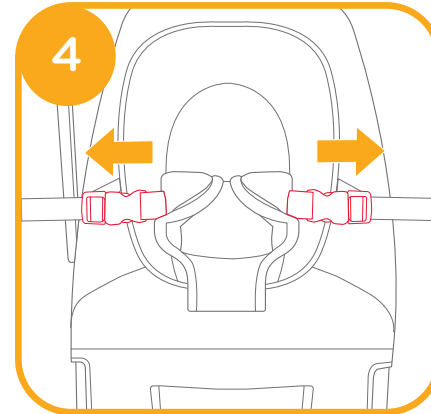
Parts List



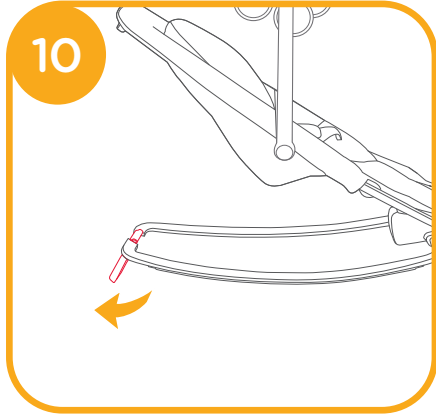
Rocker assembly



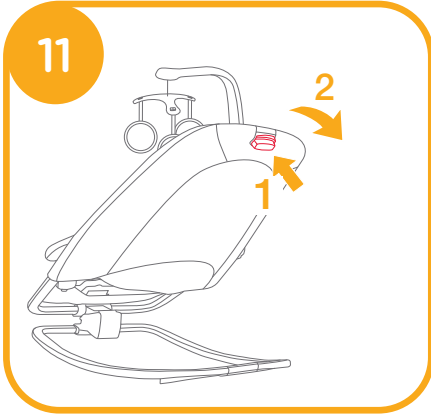
Use Harness



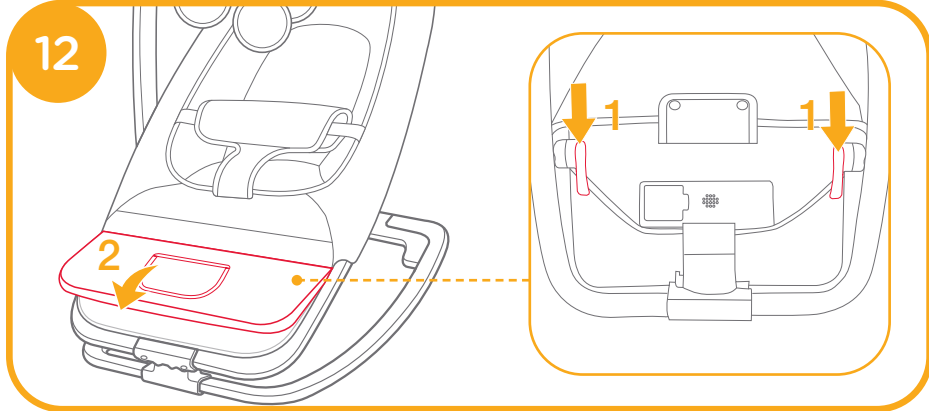
Activate Rock Stop



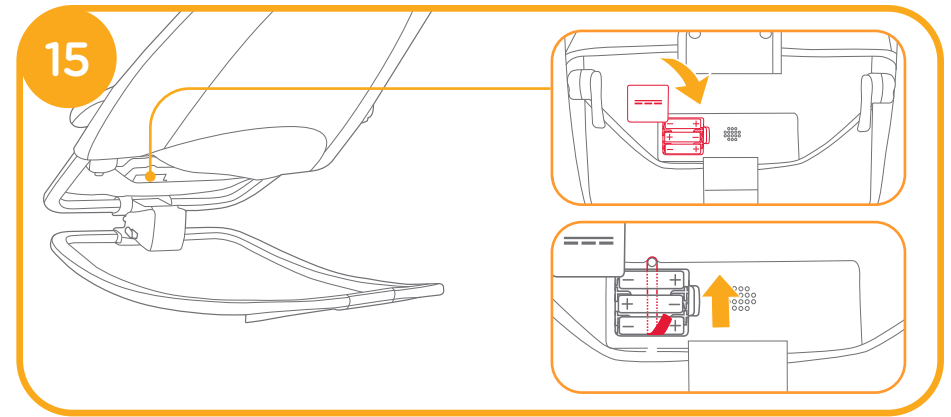
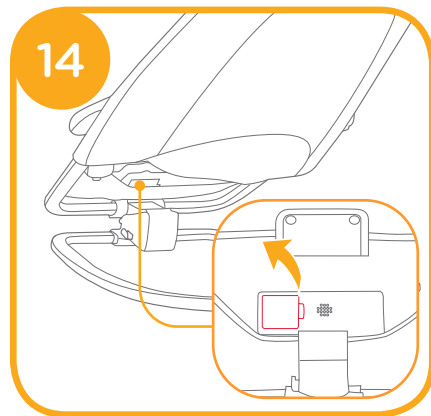
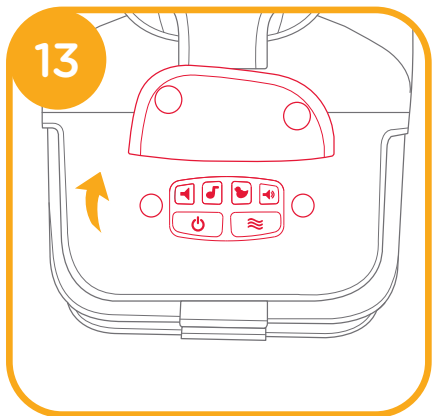
Adjust Recline Angle



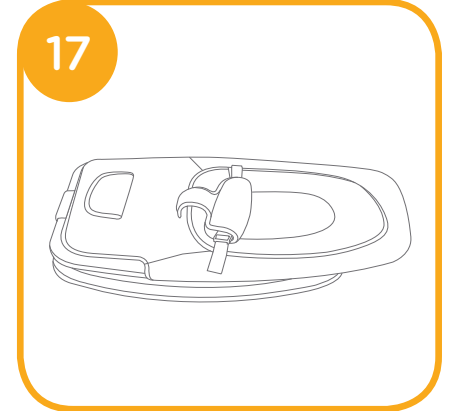
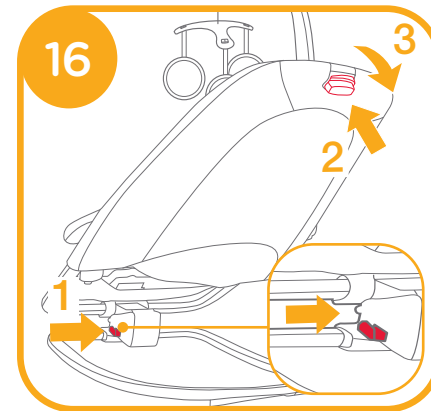
Adjust Leg Rest



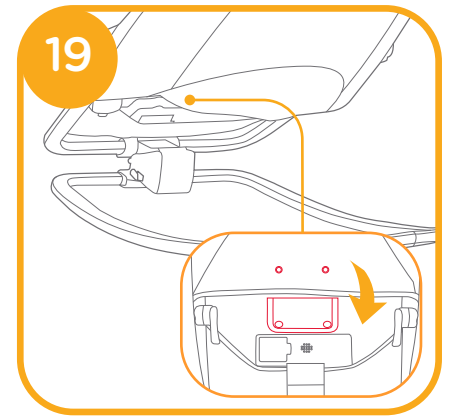
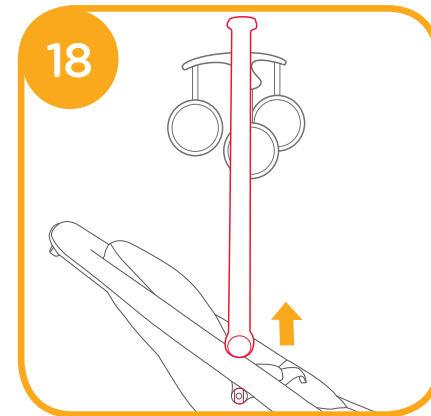
Use electronic module

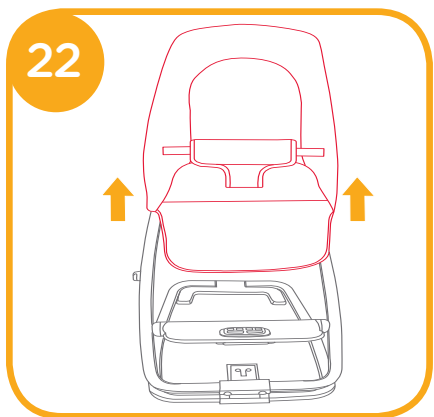
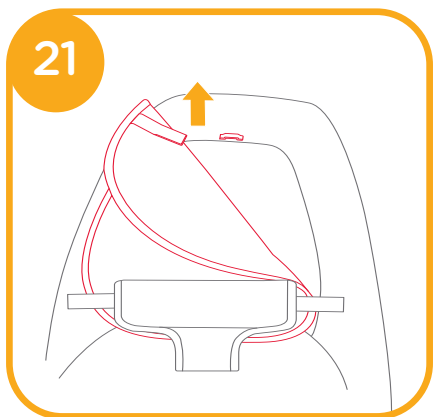
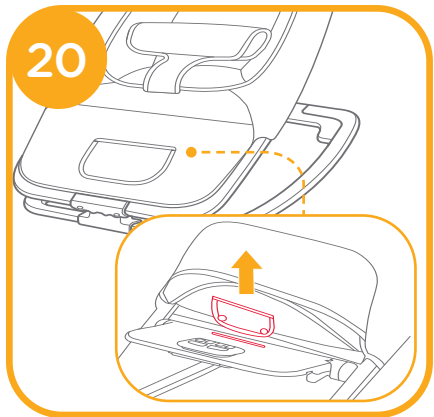


Fold Rocker



Remove Seat Cover





Congratulations on becoming part of the Joie family! We are so excited to be part of your life with your little one. While using the Joie dreamer™, your baby is enjoying a high quality, fully certified rocker, approved to European safety standards EN 12790-1:2023 and BS EN IEC 62115:2020+A11:2020. This product is suitable for use as a rocker for children up to when they try to sit up. This product is suitable for use as a chair when they can walk and sit on his or her own. Please carefully read this manual and follow each step to ensure a pleasant experience and best protection for your child.

Please keep the Instruction Manual handy for future reference.

Visit us at Joiebaby.com to download manuals and see more exciting Joie products.

For warranty information, please visit our website at joiebaby.com.

IMPORTANT! READ CAREFULLY AND KEEP FOR FUTURE REFERENCE

Emergency

In case of emergency or accident, immediately seek medical attention for your child.

Parts List

Make sure all parts are available before assembly. If any part is missing, please contact local retailer. No tools are required for assembly.

- | | |
|----------------------|------------------|
| 1 Toy Bar | 5 Rock Stop |
| 2 Toys | 6 Folding Button |
| 3 Small Child Insert | 7 Recline Button |
| 4 Seat Cover | |

⚠ WARNING

- Read all the instructions in this manual before using this product.
- Failure to follow these warnings and the assembly instructions could result in danger.
- Adult assembly required.
- DOT NOT leave infant in this product unsupervised.
- DO NOT USE THIS PRODUCT FOR INFANT SLEEP.
- Infants should be placed to sleep on a firm, flat surface.
- DO NOT put objects or accessories in an infant's sleep environment.
- DO NOT place this product near a blind, cord, strap or similar item that could become wrapped around an infant's neck.
- PLACE INFANT ON THEIR BACK WHEN USING THIS PRODUCT.
- Always use the restraint system when using this product.
- When using as a reclined cradle in rocker mode: Always use the most reclined position for newborns. STOP using the product when the child starts trying to sit up or weights more than 9kg (approximately 0-6months).
- When using as an inclined cradle in infant chair mode: Only use more upright angles when the child is able to support and move their head freely in those upright positions.
- Never use the toy bar to carry the product.
- Never use this product on an elevated surface (e.g. a table).
- Never let the child sleep in this product. This product does not replace a cot or a crib. Should the child fall asleep, then it should be placed in a suitable cot or crib.
- Be aware of the risk of open fire and other sources of strong heat such as electric bar fires, gas fires, etc. in the vicinity of the product.
- DO NOT let children play with this product.
- DO NOT move or lift this product with the baby inside it.

- DO NOT use the product if any parts are broken, torn or missing.
- DO NOT use accessories or substitute parts other than those approved by the manufacturer.
- Check this product regularly. All assembly fittings should be correctly assembled and tightened properly before using the product.
- Ensure batteries are inserted with the correct polarity.
- Do not mixed different types of batteries or new and used batteries.
- Change batteries when product ceases to operate satisfactorily.
- Rechargeable batteries are to be removed from the product before being charged. Rechargeable batteries are only to be charged under adult supervision.
- Non-rechargeable batteries are not to be recharged.
- Exhausted batteries are to be removed from the product.
- The supply terminals are not to be short-circuited.
- Keep the batteries out of children's reach.
- To prevent possible injury by entanglement, remove the toys when the child starts trying to get up on its hands and knees in a crawling position.
- To avoid suffocation, remove plastic bag and packaging materials before using this product. The plastic bag and packaging materials should then be kept away from babies and children.
- Check this product regularly before using it, and do not use it if any part is loose or missing or if there are any signs of damage. Do not substitute parts. Contact the manufacturer if replacement parts or additional instructions are needed.

Rocker assembly

see images 1 - 3

! Toys are attached to the toy bar by hook and loop fasteners.

Use Harness

see images 4 - 9

Activate Rock Stop

see images 10

Adjust Recline Angle

see images 11

! There are 3 recline angles for the backrest.

! When adjusting the recline angle of the backrest, please push the backrest slightly forwards, then release the button and adjust the backrest to the required position.

Adjust Leg Rest

see images 12

Use Electronic Module

see images 13 - 15

Please see 14 & 15 for battery assemble and disassemble.

! Recommended type batteries-alkaline disposables, size AA (3X1.5V). NEVER mix battery types. 14 15



! Batteries not included

Fold Rocker

see images 16 - 17

Remove Seat Cover

see images 18 - 22

! To reattach the soft goods please repeat the above steps in the reverse order.

Care and Maintenance

1. Your product can be spot cleaned with a sponge and soapy water.
2. Do not use undiluted neutral detergent, gasoline or other organic solvent to wash the product.
It may cause damage to the product.
3. Do not use bleach.
4. From time to time, check your product for worn parts, torn material or stitching. Replace or repair the parts as needed.
5. If the product is not in use for a long period of time, please store it where your child cannot access it.

Please recycle this product.





Allison AU Pty Ltd.
Unit 1, 35 Lyn Parade Prestons,
NSW Australia 2170

bring the kids™

Share the joy at joiebaby.com

IM-001850C