

Joie™

birth to 22kg/(birth - 48 months)

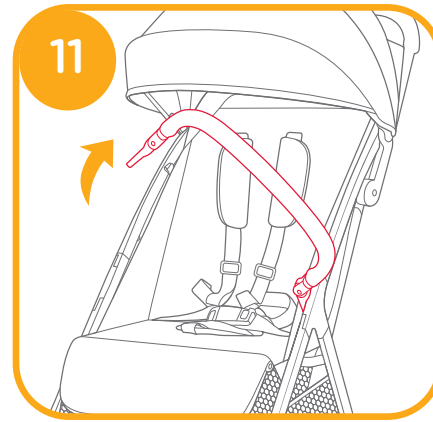
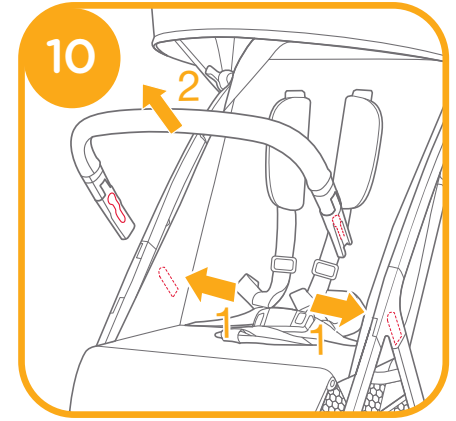
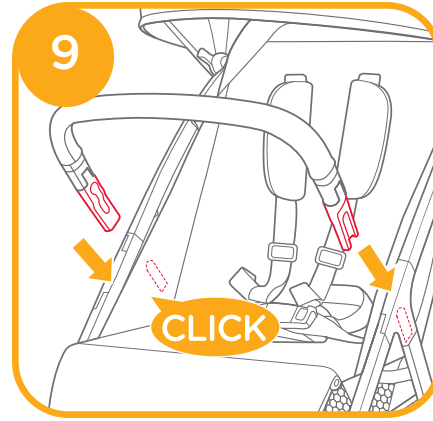
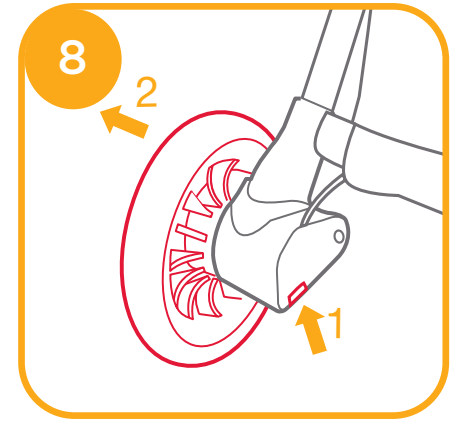
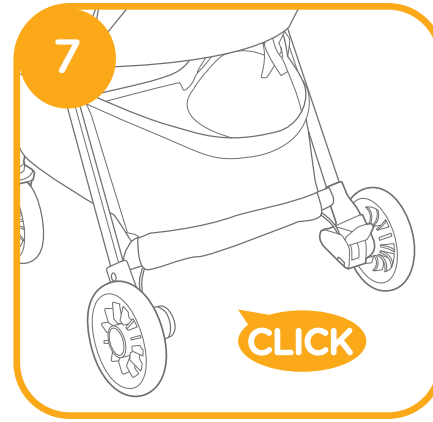
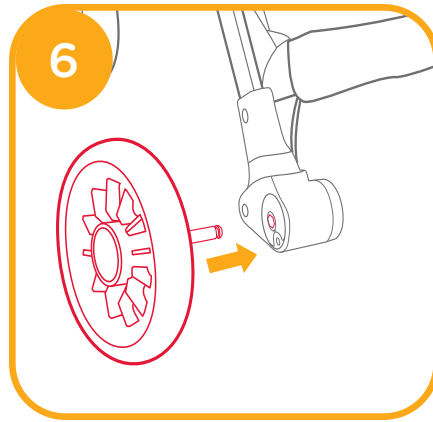
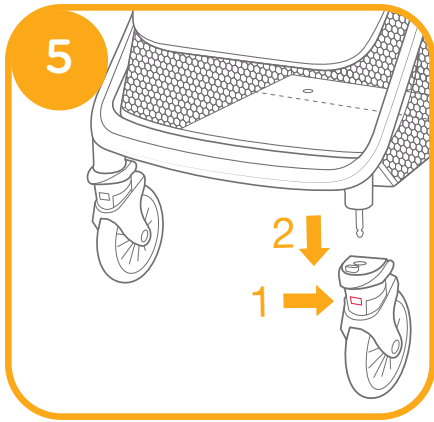
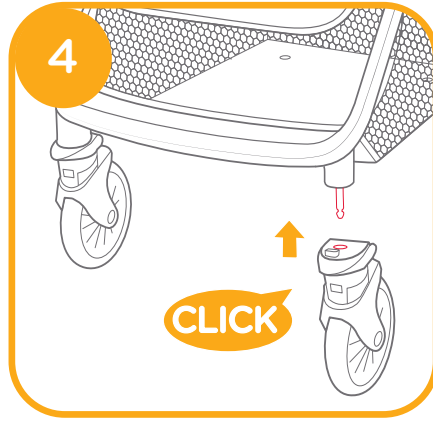
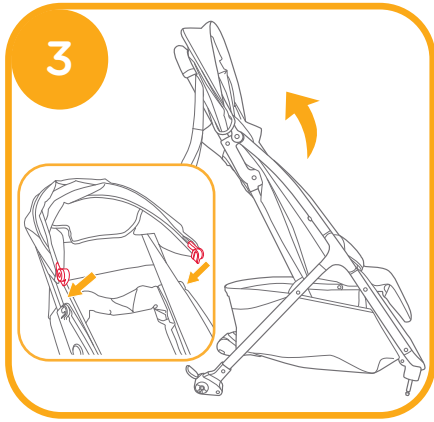
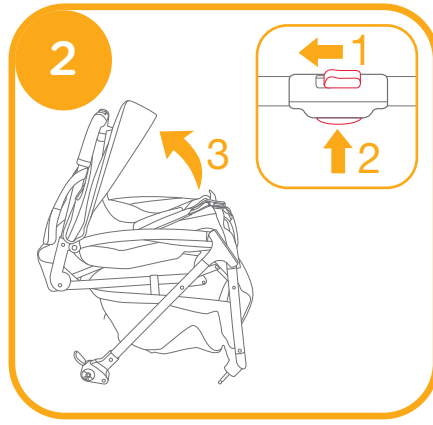
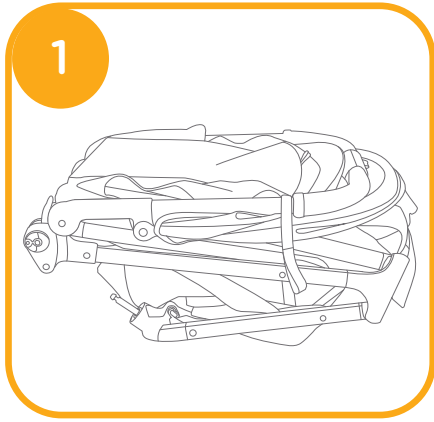
pact™ pro stroller

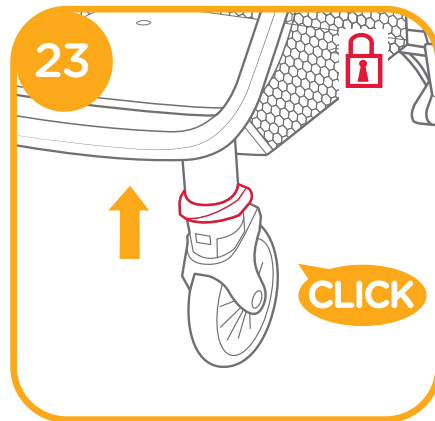
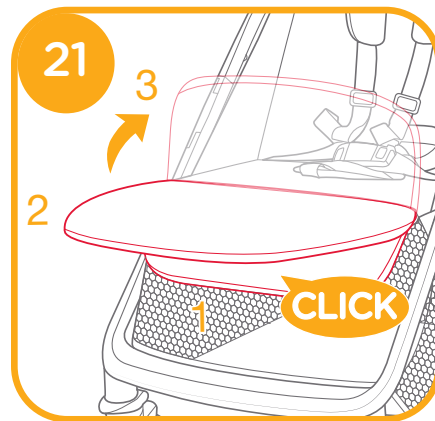
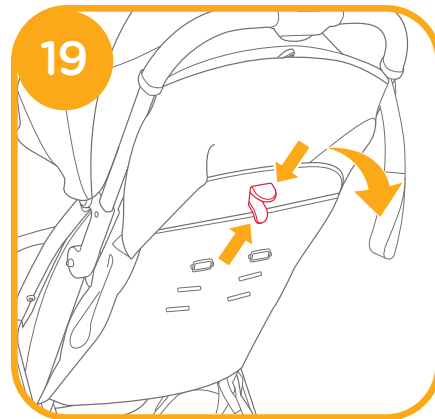
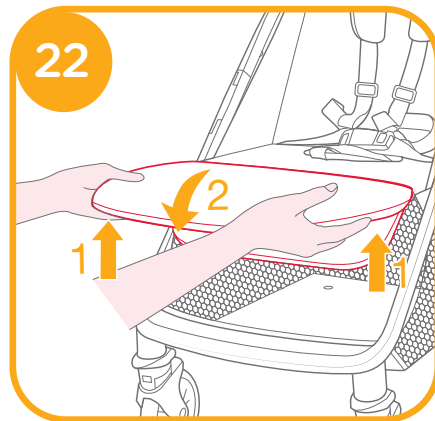
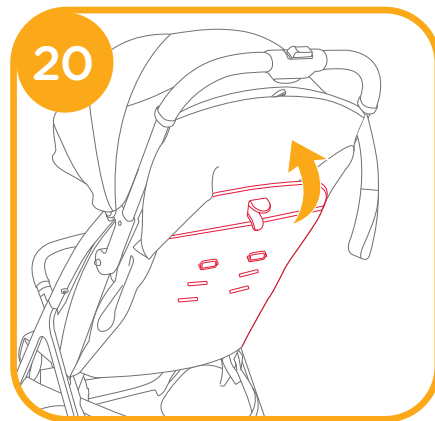
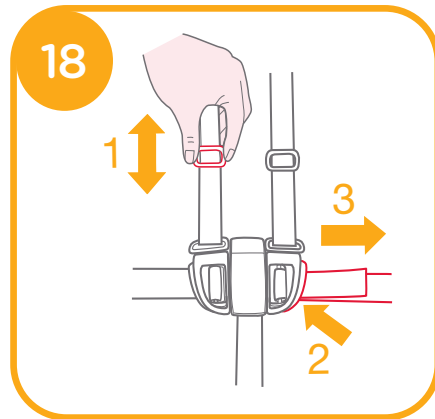
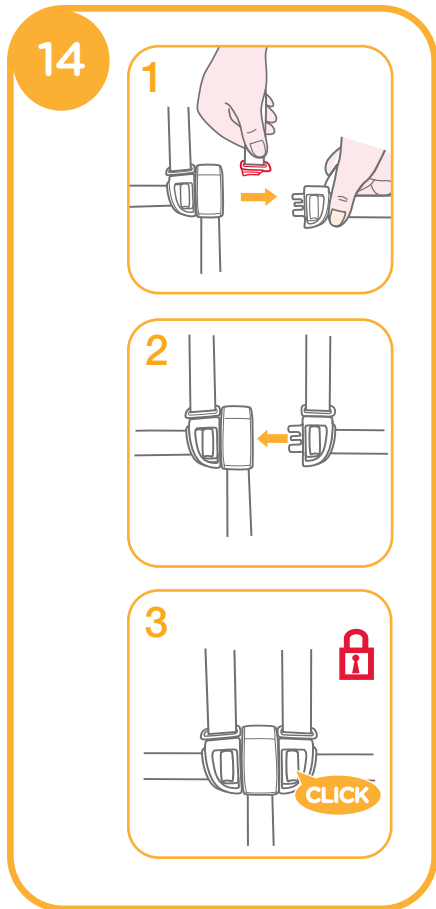
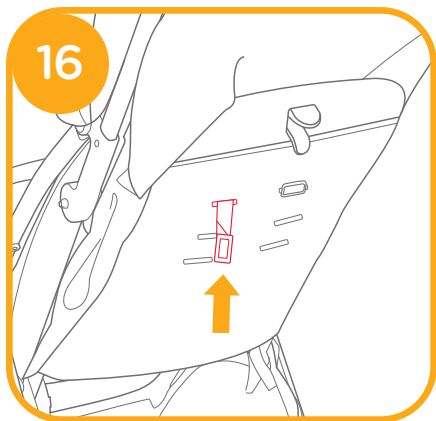
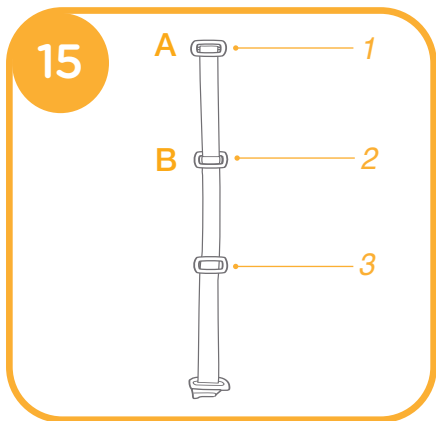
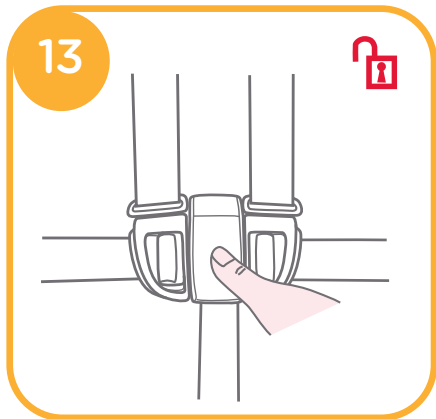
GB Instruction Manual

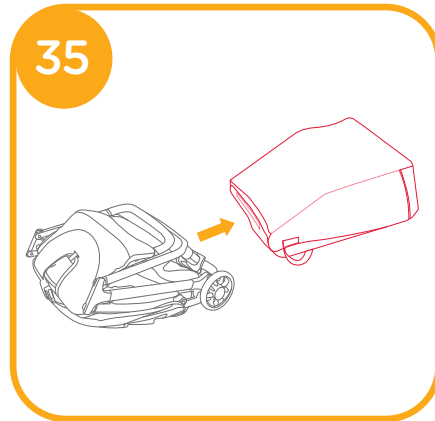
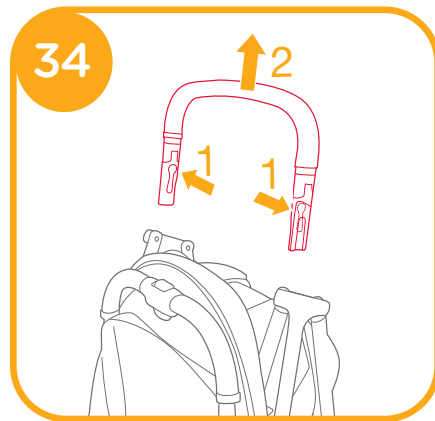
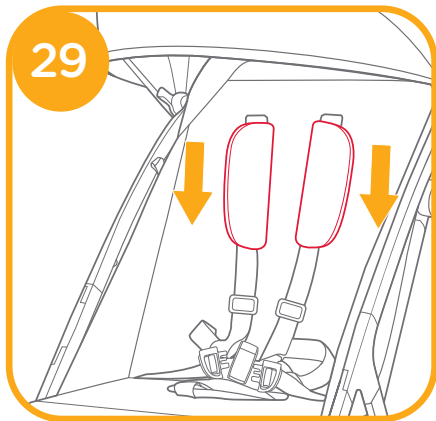
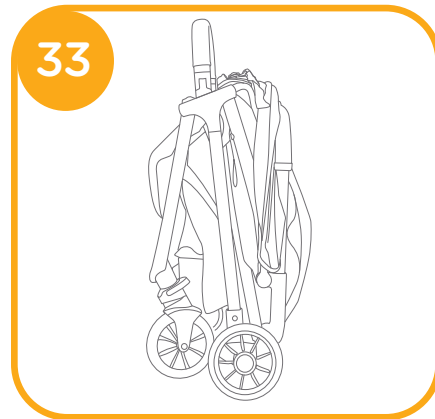
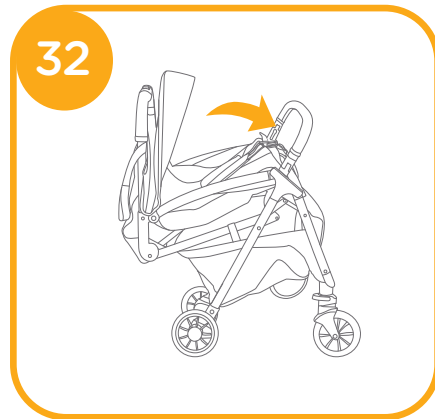
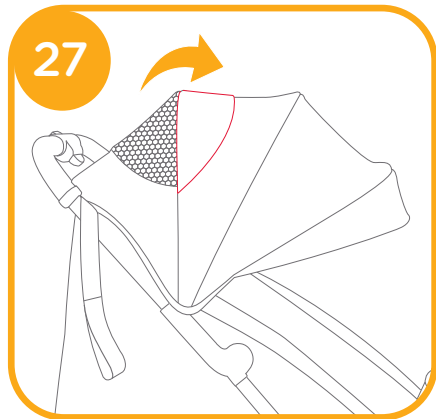
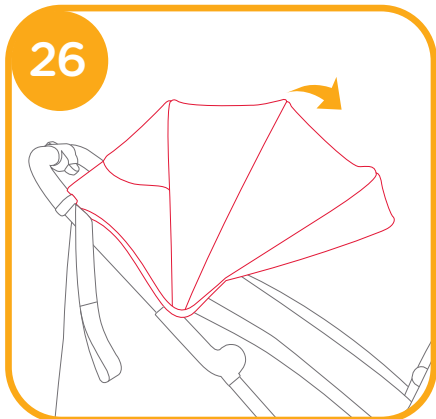
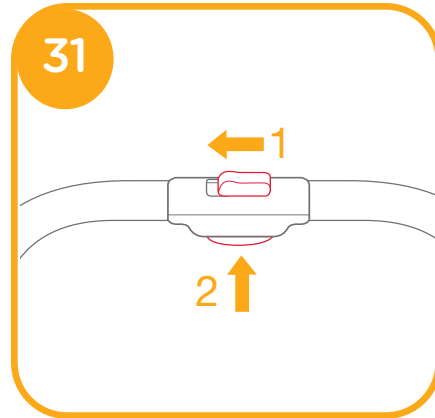
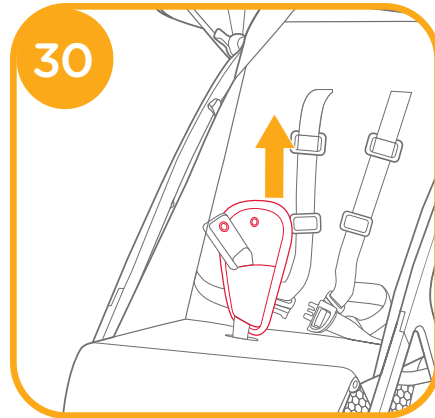
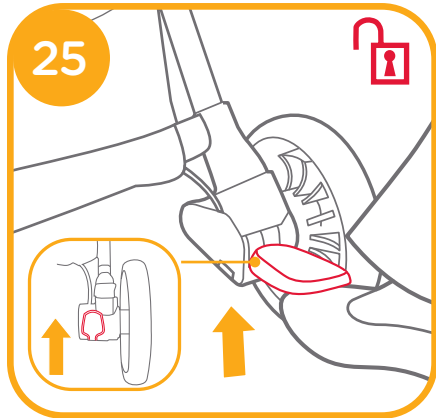
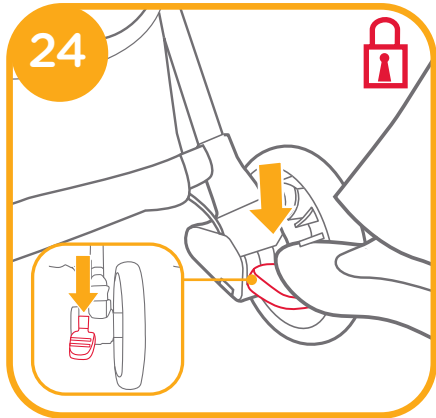


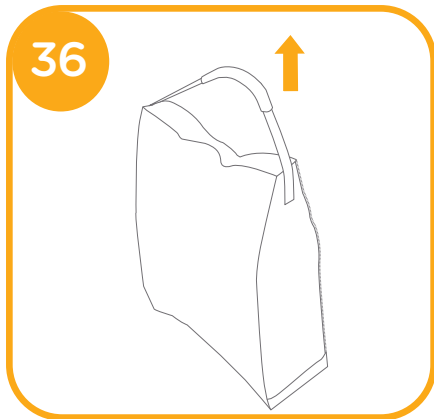
IMPORTANT - READ CAREFULLY AND KEEP FOR FUTURE REFERENCE.

Stroller Assembly

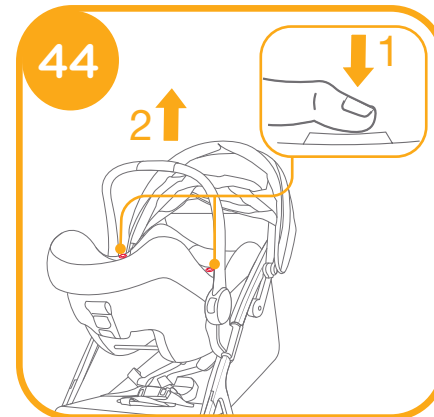
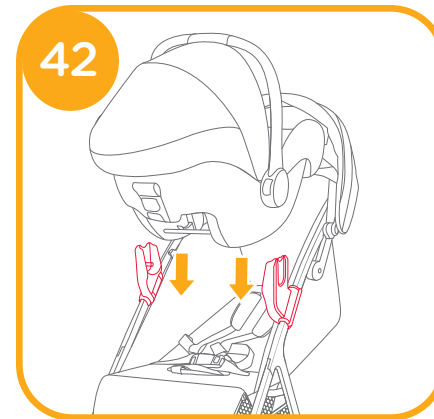
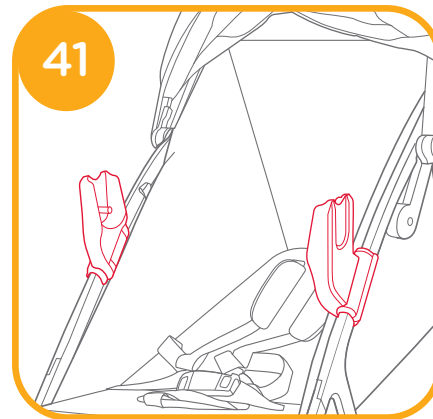
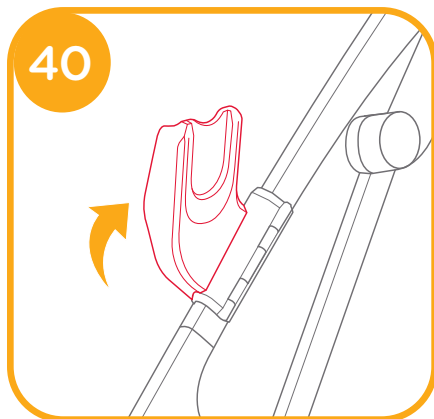
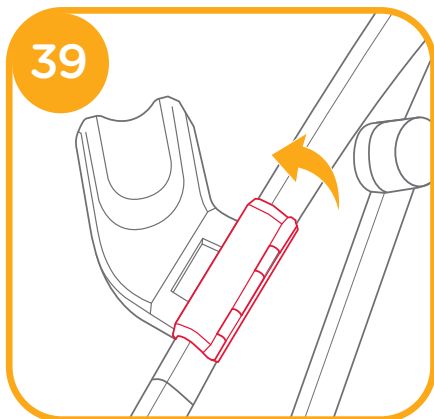
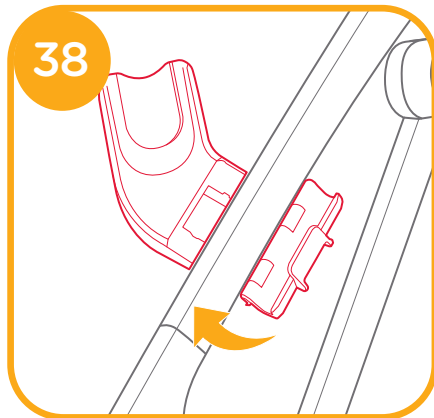
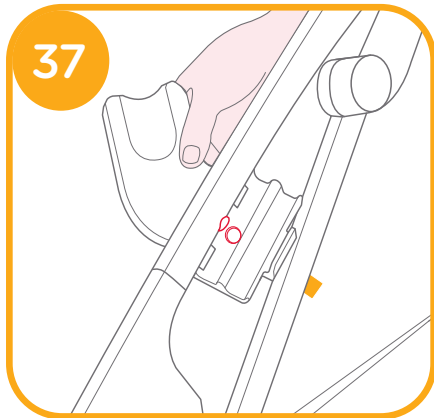








Accessories (May not be included in purchase)
 Accessories may be sold separately or may not be available depending on region.



Detach & Assemble Soft Goods

FIGURE 47 ~ 51

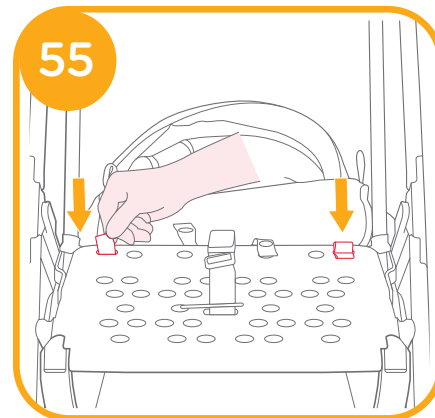
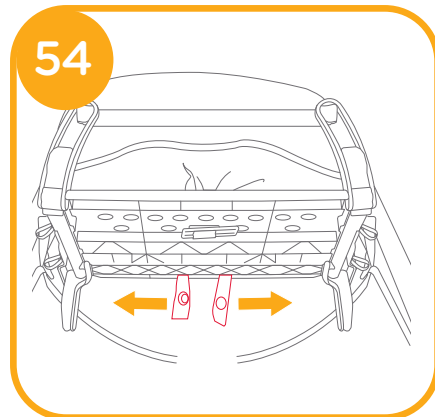
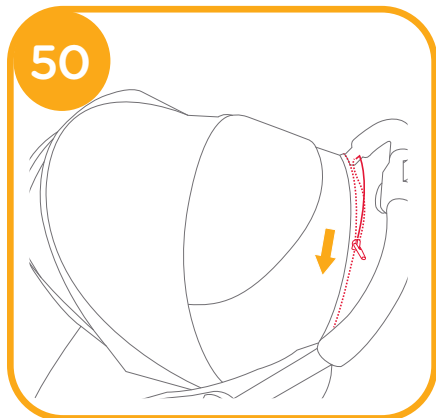
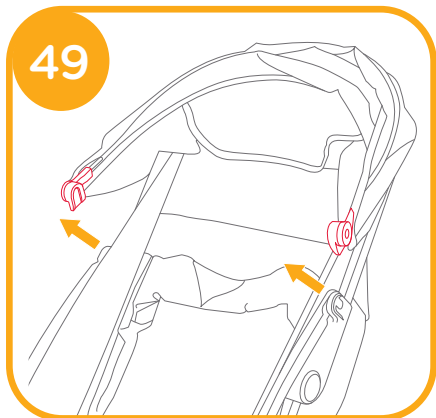
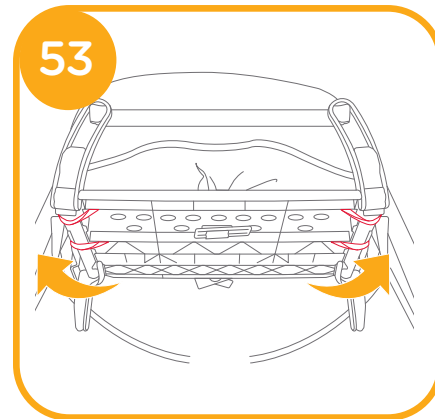
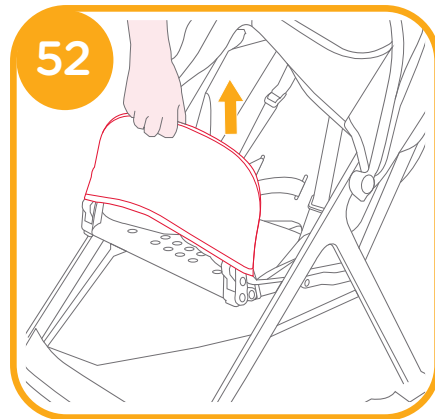
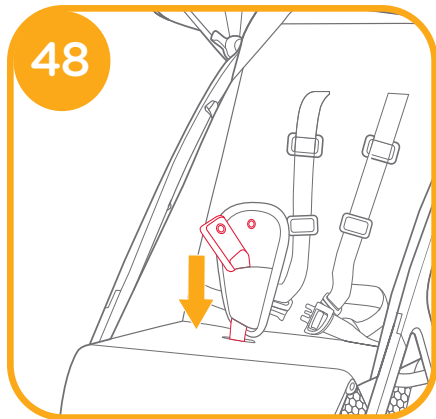
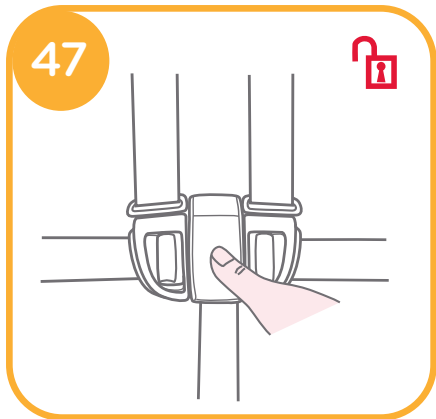
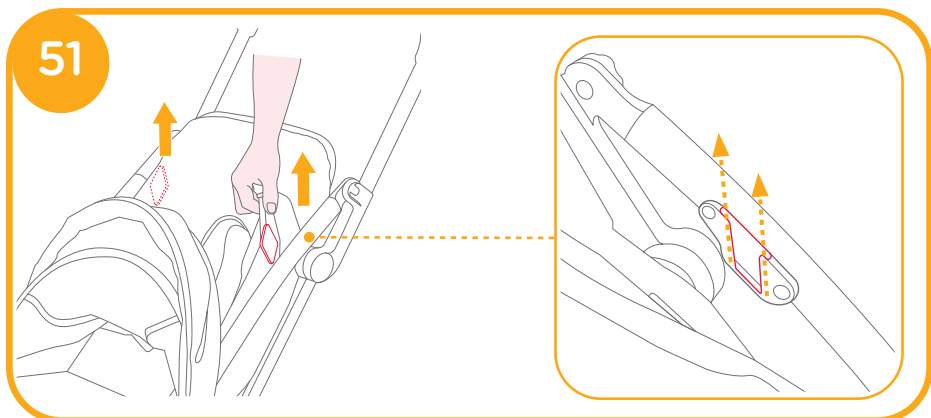
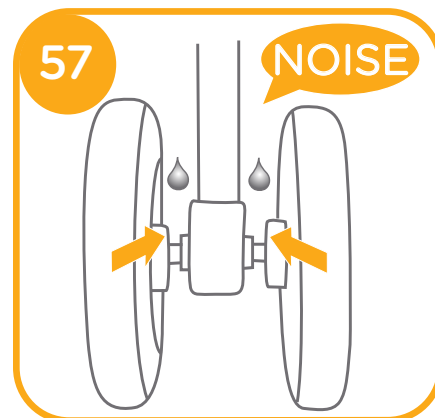
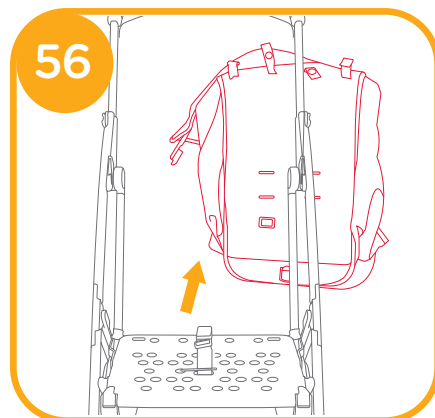


FIGURE 52 ~ 57



Care and Maintenance



GB Welcome to Joie™

Congratulations on becoming part of the Joie family! We are so excited to be part of your journey with your little one. While traveling with the Joie pact™ pro, you are using a high quality, fully certified stroller, complies with Australian Trade Practices Act 1974 Consumer Protection Notice No 8 of 2007 and AS 2088:2022 Amd 1:2024. This product is suitable for use with children weighing under 22kg. Please carefully read this manual and follow each step to ensure a comfortable ride and best protection for your child.

Visit us at joiebaby.com to download manuals and see more exciting Joie products!

Contents

Figures	1-10
WARNING	17
Stroller Assembly	19
Open Stroller	19
Assemble & Detach Front Wheel	19
Assemble & Detach Rear Wheel	19
Assemble & Detach Arm Bar	19

Stroller Operation	20
Use Buckle	20
Use Shoulder & Waist Harnesses	20
Adjust Backrest	21
Adjust Calf Support	21
Use Front Swivel Lock	21
Use Brake	22
Use Canopy	22
Use Shoulder Harness Cover and Crotch Harness Cover	22
Use Tether Strap	22
Fold Stroller	23
Use Accessories	23
Cleaning and Maintenance	25

Emergency

In case of emergency or accident, it is most important to have your child taken care of with first aid and medical treatment immediately.

Product Information

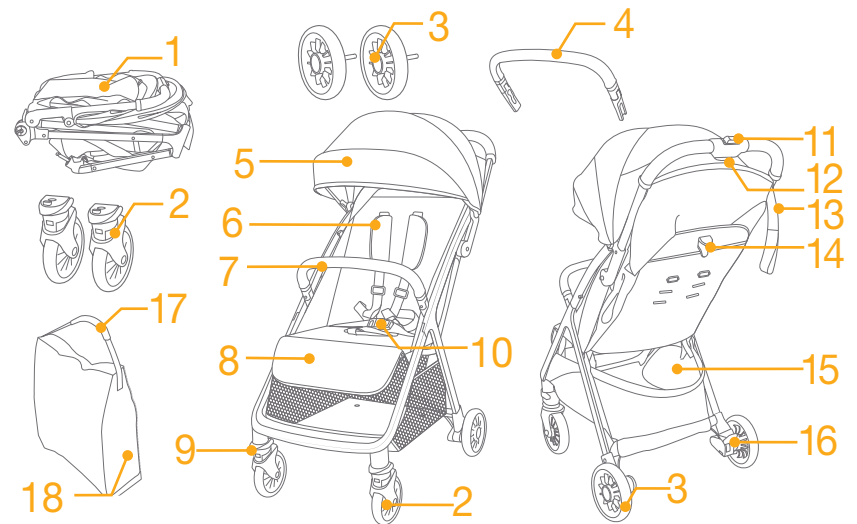
Read all the instructions in this manual before using this product. If you have any further questions, please consult the retailer. Some features may vary depending on model.

Product	Pact pro Stroller
Suitable for	Child weighing under 22kg (birth - 48 months)
Materials	Plastics, metal, fabrics
Patent No.	Patents pending
Made in	China
Brand Name	Joie
Website	www.joiebaby.com
Manufacturer	Nuna Baby Australia Pty Ltd.

Parts List

Make sure all parts are available before assembly. If any part is missing, please contact local retailer. No tools are required for assembly.

- | | | | |
|---|------------------------|----|--------------------------|
| 1 | Stroller Frame | 10 | Buckle |
| 2 | Front Wheel | 11 | Secondary Lock |
| 3 | Rear Wheel | 12 | One-Hand-Fold Handle |
| 4 | Arm Bar | 13 | Tether Strap |
| 5 | Canopy | 14 | Backrest Adjuster Buckle |
| 6 | Shoulder Harness Cover | 15 | Storage Basket |
| 7 | Arm Bar | 16 | Brake Lever |
| 8 | Calf Support | 17 | Carry Strap |
| 9 | Swivel Lock | 18 | Carry Bag |

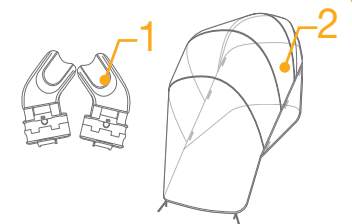


Accessories

(May not be included)

- 1 Adapter
- 2 Rain Cover

Accessories may be sold separately or may not be available depending on region.



WARNING

- ! FOLLOW THE MANUFACTURER'S INSTRUCTIONS.
- ! PUT ON ALL THE BRAKES WHENEVER YOU PARK THE STROLLER.
- ! DO NOT LEAVE CHILDREN UNATTENDED.
- ! DO NOT CARRY EXTRA CHILDREN OR BAGS ON THIS STROLLER.
- ! MAKE SURE CHILDREN ARE CLEAR OF ANY MOVING PARTS IF YOU ADJUST THE STROLLER, OTHERWISE THEY MAY BE INJURED.
- ! TO AVOID INJURY OR DEATH: ALWAYS APPLY THE BRAKES WHENEVER THE STROLLER IS STATIONARY.
- ! ALWAYS KEEP CHILD IN VIEW WHILE IN STROLLER.
- ! ALWAYS USE THE CROTCH COMBINATION WITH THE WAIST BELT. IT IS SUGGESTED THAT THE SHOULDER HARNESSSES BE USED AS WELL.
- ! TO AVOID SERIOUS INJURY FROM FALLING OR SLIDING OUT, ALWAYS USE SEAT BELT.
- ! USE THIS STRAP TO STOP THE STROLLER ROLLING AWAY.
- ! ENSURE THAT ALL THE LOCKING DEVICES ARE ENGAGED BEFORE USE.
- ! DO NOT LET YOUR CHILD PLAY WITH THIS PRODUCT.
- ! NEVER LEAVE THE HARNESS BUCKLED WHEN NOT FITTED TO A CHILD IN THE STROLLER BECAUSE THE HARNESS CAN FORM LOOPS WHICH MAY POSE A STRANGULATION HAZARD.

- ! THE USE OF ACCESSORIES NOT APPROVED BY THE VEHICLE MANUFACTURER IS UNSAFE.
- ! ADULT ASSEMBLY REQUIRED.
- ! USE THE STROLLER WITH A CHILD WEIGHING LESS THAN 22KG. IT WILL CAUSE DAMAGE TO THE STROLLER WITH AN UNFITTED CHILD.
- ! TO PREVENT A HAZARDOUS, UNSTABLE CONDITION, DO NOT PLACE MORE THAN 4.5KG IN THE STORAGE BASKET.
- ! THE STROLLER IS NOT BE USED NEAR AN OPEN FIRE OR EXPOSED FLAME.
- ! USE THE STROLLER WITH ONLY ONE CHILD AT A TIME. NEVER PLACE PURSES, SHOPPING BAGS, PARCELS OR ACCESSORY ITEMS ON THE HANDLE OR HOOD.
- ! OVERLOADING, FOLDING INCORRECTLY, OR USING COMPONENT PARTS FROM OTHER MANUFACTURERS MAY CAUSE THE STROLLER TO BE DAMAGED, BROKEN OR UNSAFE. PLEASE READ THE INSTRUCTION MANUAL CAREFULLY.
- ! PLEASE READ ALL THE INSTRUCTIONS IN THE MANUAL BEFORE USING THE PRODUCT. PLEASE SAVE INSTRUCTION MANUAL FOR FUTURE USE. FAILURE TO FOLLOW THESE WARNINGS AND INSTRUCTIONS MAY RESULT IN SERIOUS INJURY OR DEATH.
- ! SAFETY BELTS AND RESTRAINT SYSTEMS MUST BE USED CORRECTLY.
- ! CHILD MAY SLIP INTO LEG OPENINGS AND BE STRANGLED IF THE HARNESS IS NOT USED.
- ! CARE SHOULD BE TAKEN IF THE STROLLER IS USED ON STAIRS OR ESCALATORS.
- ! KEEP AWAY FROM HIGH TEMPERATURE OBJECTS, LIQUIDS, AND ELECTRONICS.

- ! NEVER ALLOW YOUR CHILD TO STAND ON THE STROLLER OR SIT IN THE STROLLER WITH HEAD TOWARD FRONT OF STROLLER .
- ! NEVER PLACE THE STROLLER ON ROADS, SLOPES OR DANGEROUS AREAS.
- ! DO MAKE SURE ALL MECHANISMS ARE FIXED BEFORE USING THE STROLLER.
- ! TO AVOID STRANGULATION, DO NOT PLACE ITEMS WITH A STRING AROUND YOUR CHILD'S NECK, SUSPEND STRINGS FROM THIS PRODUCT, OR ATTACH STRINGS TO TOYS.
- ! DO NOT LIFT STROLLER WHILE CHILD IS IN STROLLER.
- ! DO NOT USE STORAGE BASKET AS A CHILD CARRIER.
- ! TO PREVENT TIPPING, NEVER LET CHILD CLIMB THE STROLLER . ALWAYS LIFT THE CHILD IN AND OUT OF THE STROLLER .
- ! TO AVOID FINGER ENTRAPMENT, USE CARE WHEN FOLDING AND UNFOLDING THE STROLLER.
- ! PLEASE KEEP THE STORAGE LATCH LOCKING CORRECTLY WHEN LIFT AND MOVE THE UNIT. PLEASE TRANSPORT THE FOLDED STROLLER SAFELY.
- ! TO ENSURE YOUR CHILD'S SAFETY, PLEASE MAKE SURE ALL PARTS ARE ASSEMBLED AND FASTENED PROPERLY BEFORE USING THE STROLLER .
- ! TO AVOID STRANGULATION, DO MAKE SURE YOUR CHILD IS CLEAR FROM THE CANOPY.
- ! THE VEHICLE IS DESIGNED FOR USE ON FLAT OR GENTLY SLOPING SURFACES AND MAY BE UNSTABLE ON HIGHER SLOPING AND UNEVEN SURFACES; RESULTING IN THE POSSIBILITY OF THE VEHICLE TIPPING OVER.
- ! DISCONTINUE USING STROLLER IF IT IS DAMAGED OR BROKEN.
- ! THIS PRODUCT IS NOT SUITABLE FOR RUNNING OR SKATING. STROLLER TO BE USED ONLY AT WALKING SPEED. THIS PRODUCT IS NOT INTENDED FOR USE WHILE JOGGING.

- ! TO AVOID SUFFOCATION, REMOVE PLASTIC BAG AND PACKAGING MATERIALS BEFORE USING THIS PRODUCT. THE PLASTIC BAG AND PACKAGING MATERIALS SHOULD THEN BE KEPT AWAY FROM BABIES AND CHILDREN.
- ! STROLLER DESIGNED TO BE USED FROM BIRTH SHALL RECOMMEND THE USE OF THE MOST RECLINED POSITION FOR NEW BORN BABIES.
- ! THE BRAKES MUST ALWAYS BE APPLIED WHEN THE STROLLER IS NOT MOVING.
- ! EXTRA CARE IS NEEDED IF USED ON MOVING VEHICLES AND CHILD SHOULD NOT BE LEFT UNATTENDED, EVEN WITH BRAKES ENGAGED.
- ! USE THIS HARNESS AT ALL TIMES.
- ! SECURE THE CHILD IN THE HARNESS AT ALL TIMES.
- ! FOR INFANT CHILD RESTRAINTS USED IN CONJUNCTION WITH A CHASSIS, THIS VEHICLE DOES NOT REPLACE A COT OR A BED. SHOULD YOUR CHILD NEED TO SLEEP, THEN IT SHOULD BE PLACED IN A SUITABLE PRAM BODY, COT OR BED.
- ! DO NOT ATTACH ITEMS TO THE HANDLE, SEAT BACK OR SIDES OF THE STROLLER. ANY ADDITIONAL LOAD WILL AFFECT THE STABILITY OF THE STROLLER AND COULD CAUSE THE STROLLER TO TIP.
- ! WARNING TO AVOID SERIOUS INJURY, MAKE SURE THE CANOPY IS ASSEMBLED WHEN BACKREST IS IN THE MOST RECLINED POSITION.
- ! WARNING: DO NOT USE FOR UNSUPERVISED SLEEPING.
- ! THE VEHICLE IS NOT TO BE USED AS AN UNSUPERVISED SLEEPING ENVIRONMENT.

Stroller Assembly

(Please refer to figures on page 1-10)

Please read all the instructions in this manual before assembling and using this product.

Open Stroller

see images ① - ③

! Check that the stroller is completely latched before continuing to use.

Assemble & Detach Front Wheel

see images ④ - ⑤

Assemble & Detach Rear Wheel

see images ⑥ - ⑧

Assemble & Detach Arm Bar

see images ⑨ - ⑪

Arm bar can be opened one side for easy seating and unseating of child. ⑪

! Always secure the child with the harness. The arm bar is not a restraint device.

The completely assembled stroller is shown as ⑫

Stroller Operation

Use Buckle

see images ⑬ - ⑭

Release Buckle

Press the center button to release the buckle. ⑬

Lock Buckle

Match the waist belt buckle with the shoulder buckle ⑭ - 1, and click into the center buckle. ⑭ - 2 A “click” sound means the buckle is locked completely. ⑭ - 3

! Always secure the child with the harness. The arm bar is not a restraint device.

! Make sure your child is snugly secured. The space between the child and the shoulder harness is about the thickness of one hand.

! Do not cross the shoulder belts. This will cause pressure on a child's neck.

! Warning: Always use the harness.

Use Shoulder & Waist Harnesses

see images ⑮ - ⑰

! In order to protect your child from falling out, after your child is placed into the seat, check whether the shoulder and waist harnesses are at proper height and length.

⑮ - 1 Shoulder harness anchor A

⑮ - 2 Shoulder harness anchor B

⑮ - 3 Slide adjuster

For larger child, use shoulder harness anchor A and the highest shoulder slots. For smaller child, use shoulder harness anchor B and the lowest shoulder slots.

To adjust the position of the shoulder harness anchor, turn the anchor with the short side facing forward. Thread it through the shoulder harness slot from back to front. ⑰

Rethread it through the slot that is closest to child's shoulder height. ⑰

Use slide adjuster to change the harness length. 18 - 1
Press the button 18 - 2, while pulling the waist harness to proper length. 18 - 3

Adjust Backrest

see images 19 - 20

Recline Backrest

Press backrest adjuster buckle to adjust the backrest downwards. 19

Raise Backrest

To raise the backrest, push up. 20

! Make sure the recline is set properly for use.

! For newborn babies, use the most reclined position.

Adjust Calf Support

see images 21 - 22

The calf support has 3 positions.

To raise the calf support, push it upwards. A "click" sound means the calf is locked completely. 21

To lower calf support, press the adjustment buttons on both sides of the calf support 22 - 1, and rotate the calf support downwards. 22 - 2

Tip It is recommended to use the calf support in the most upright position 21 - 3 combined with the backrest fully reclined when using with newborn babies.

Use Front Swivel Lock

see image 23

Push up the front swivel locks to maintain forward moving direction. 23

Tip It is recommended to use swivel locks on uneven surfaces.

Use Brake

see images 24 - 25

To lock the rear wheels, step down on the brake lever. 24

To release wheels, just lift the brake lever upwards. 25

Tip Always apply the brake when the stroller is stopped. Push the stroller slightly to ensure the brake is engaged.

Use Canopy

see images 26 - 28

The canopy can be opened or folded, pull it toward front or back. 26

There is a window on the canopy, through which you can view your baby. 27

It is convenient to see the baby when flipping up the canopy rear panel. 28

Use Shoulder Harness Cover and Crotch Harness Cover

see images 29 - 30

The shoulder harness cover or crotch harness cover can be removed from the webbing. To assemble shoulder harness cover and crotch harness cover in reverse steps.

Use Tether Strap

Use the tether strap to prevent the stroller inadvertently rolling away. Check that when your hand is through the loop, it allows you to easily control the stroller.

Fold Stroller

see images 31 - 36

- ! Please fold the canopy before folding the stroller. Push secondary lock 31 - 1 and squeeze one-hand-fold button 31 - 2. Push the stroller forward to fold.
- ! The stroller frame will fold and automatically lock into an upright position on its own.
- ! After folding the stroller, you can lift the armbar to transport the unit easily.
- ! Grab the carry bag, the stroller will follow you. 36
- ! Keep fingers, body parts and children away from frame while folding.

Use Accessories

Accessories may be sold separately or may not be available depending on region.

Use with Infant Child Restraint

see images 37 - 45

When using with Joie infant child restraint Gemm or i-Gemm please refer to the following instructions.

- ! Adjust the backrest to the lowest position and fold the canopy.
- ! Remove the armbar before using the adapters.
- ! If you have any problems about using the infant child restraint, please refer to their own instruction manuals.
- ! Please do not fold the stroller when the infant child restraint or adapters are still attached.
- ! Ensure all locking devices are engaged before use.

Use Rain Cover

see image 46

To assemble the rain cover, place it over the stroller, and then attach the snaps and hook and loop fasteners on the rain cover.

- ! Before using the rain cover, please make sure the backrest has been adjusted to the lowest position and the infant child restraint has been fastened.
- ! When using the rain cover, please always check its ventilation.
- ! When not in use, please check that the rain cover has been cleaned and dried before folding.
- ! Do not fold the stroller after assembling the rain cover.
- ! Do not place your child into the stroller assembled with rain cover during hot weather.

Detach & Assemble Soft Goods

see images 47 - 56

Remove arm bar shown as 10.

To re-assemble seat soft goods, follow the steps above in reverse 56 - 47

Cleaning and Maintenance

see image 60

- ! Removable seat pad may be washed in cold water and drip-dried. No bleach. Please refer to the care label for instructions on cleaning the fabric parts of the stroller.
- ! To clean stroller frame, use only household soap and warm water. No bleach or detergent. Periodically wipe clean plastic parts with a soft damp cloth. Always dry the metal parts to prevent the formation of rust if the stroller has come into contact with water.
- ! From time to time, check your stroller for loose screws, worn parts, torn material or stitching. Replace or repair the parts as needed.
- ! Excessive exposure to sun or heat could cause fading or warping of parts.
- ! If stroller becomes wet, open hood and allow to dry thoroughly before storing.
- ! If wheels squeak, use a light oil (e.g., Silicon Spray, antirust oil, or sewing machine oil). It is important to get the oil into the axle and wheel assembly. 60
- ! When using your stroller at the beach, completely clean your stroller after use to remove sand and salt from mechanisms and wheel assemblies.

NOTE



Joie™

Nuna Baby Australia Pty Ltd.
Unit 1, 35 Lyn Parade Prestons,
NSW Australia 2170

bring the kids™

Share the joy at joiebaby.com

IM-001508E