

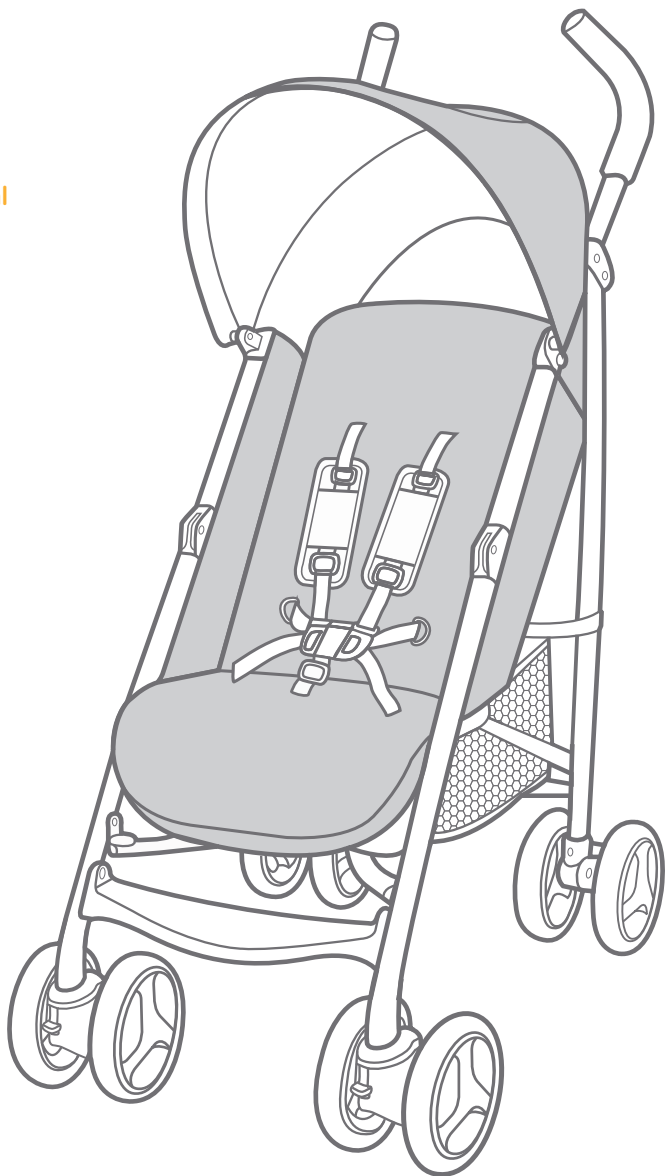
Joie™

birth to 15kg/birth - 36 months

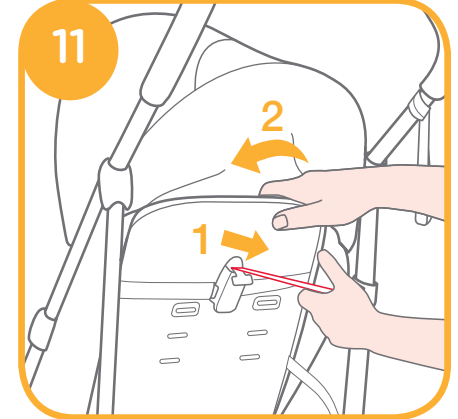
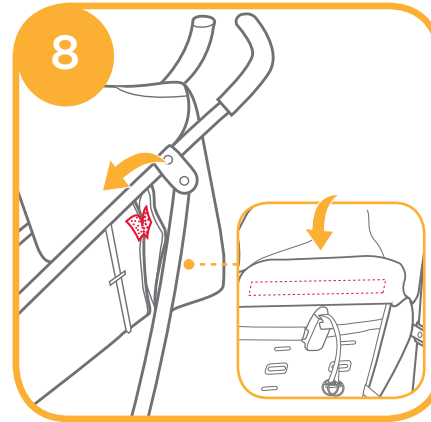
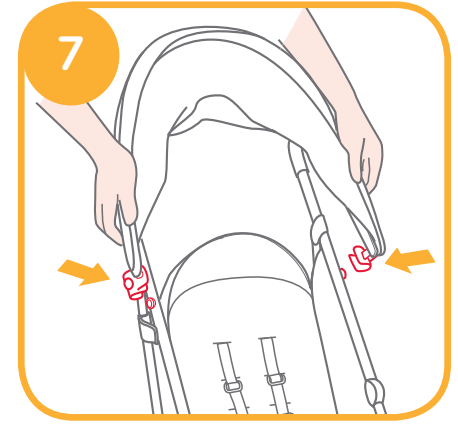
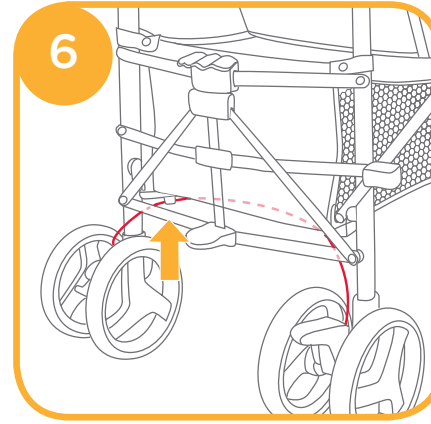
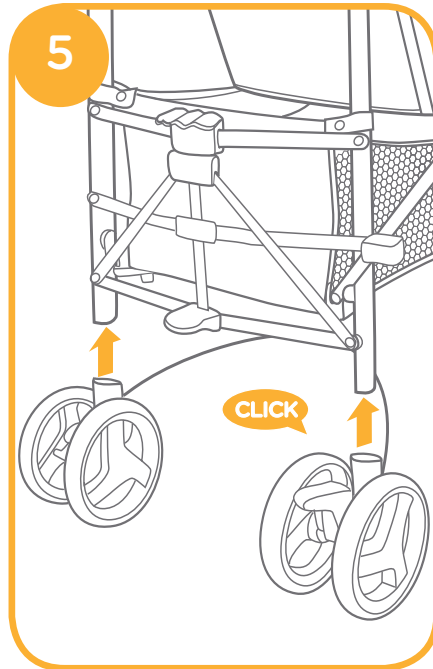
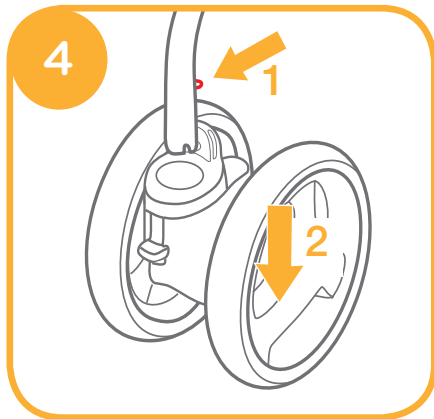
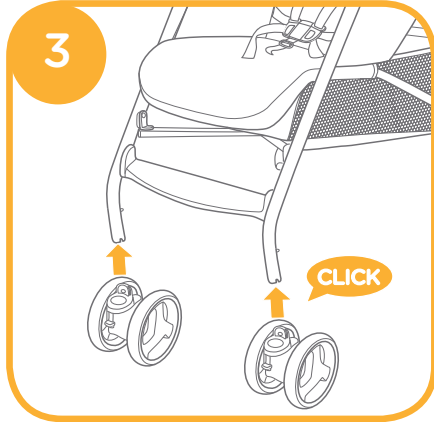
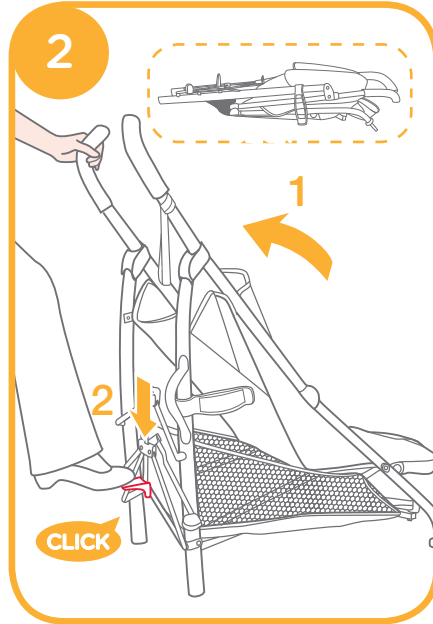
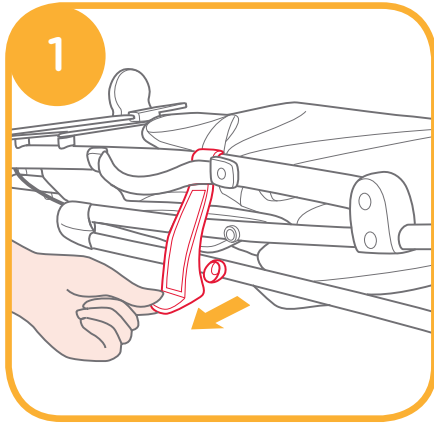
rapid™

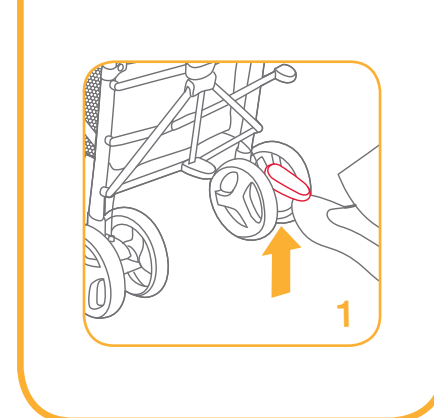
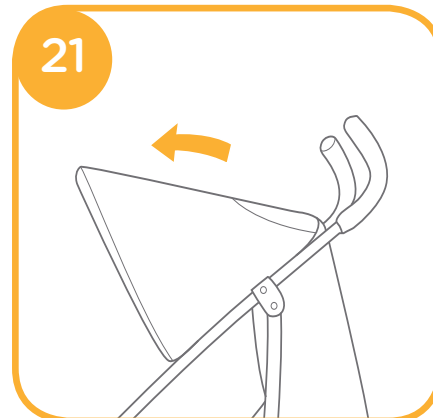
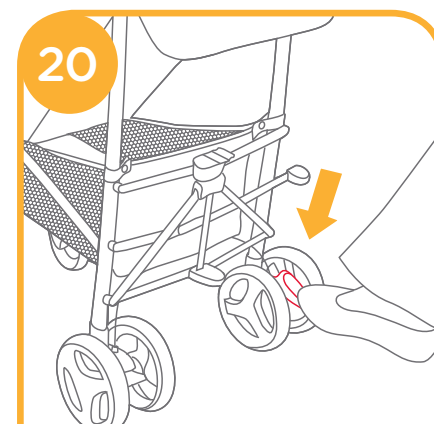
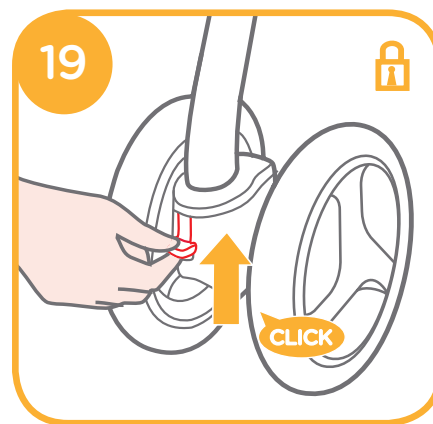
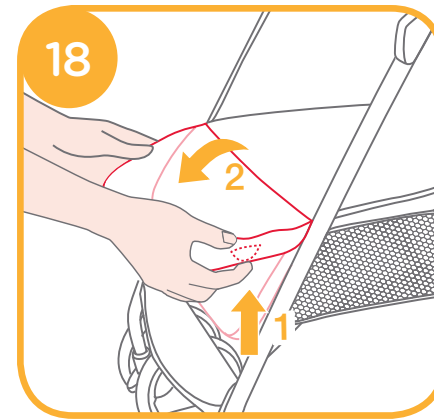
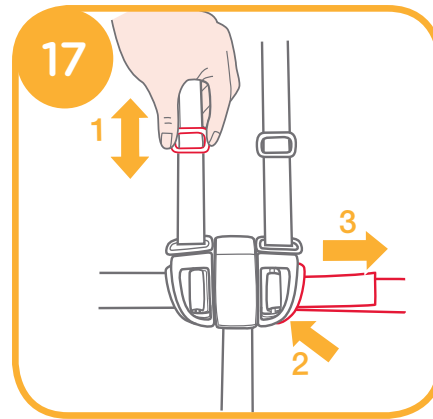
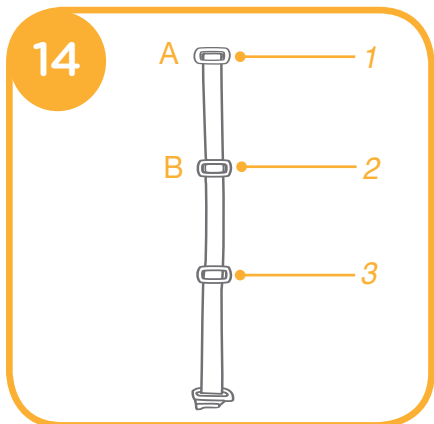
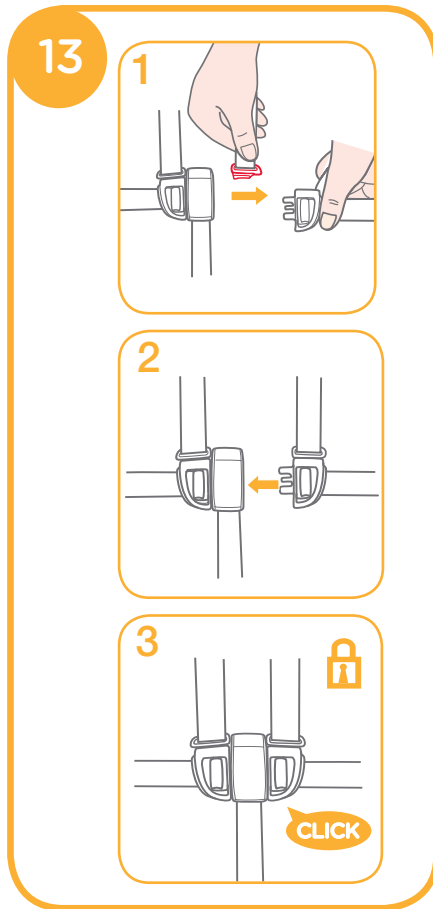
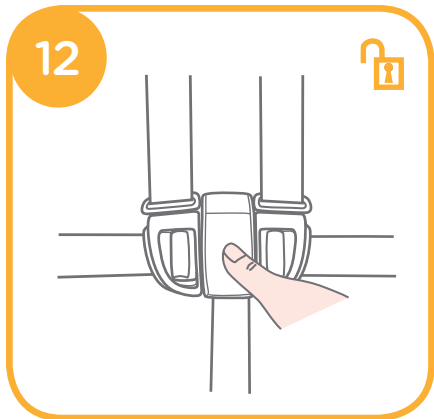
stroller

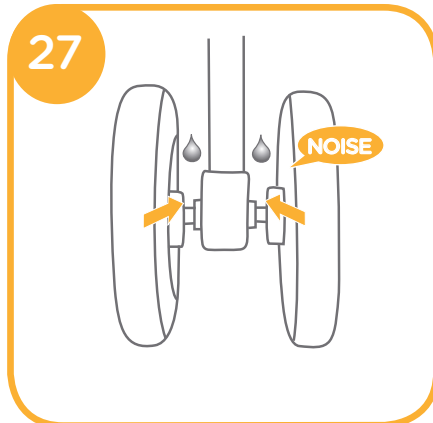
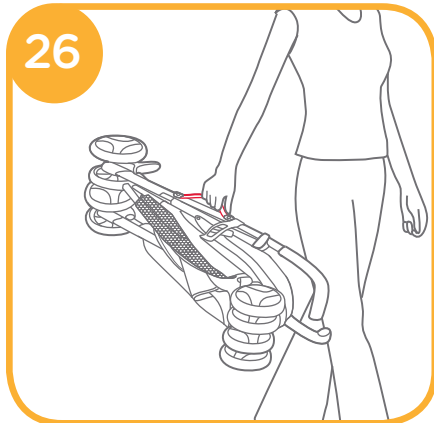
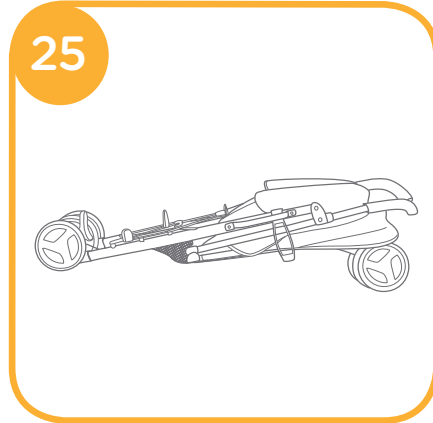
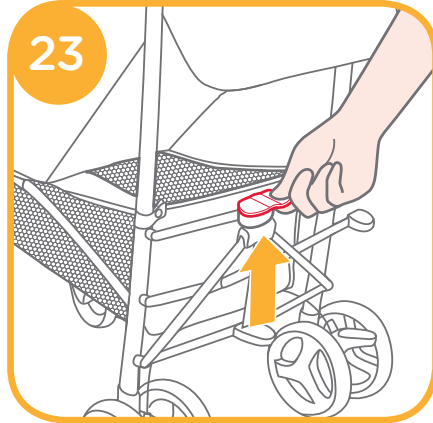
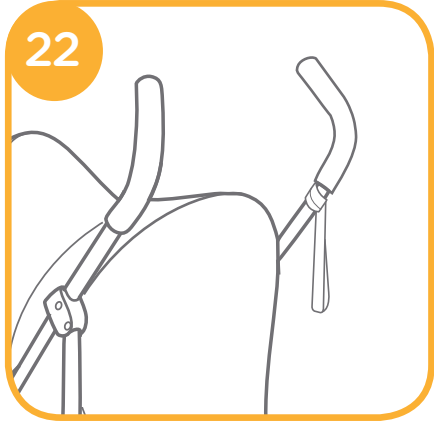
GB Instruction Manual



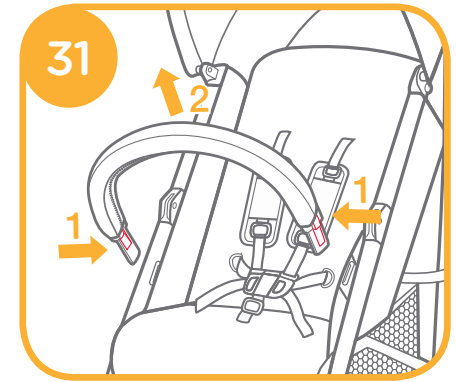
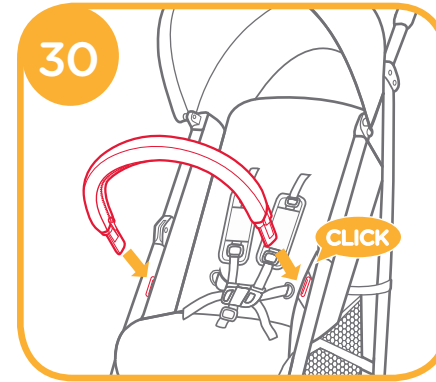
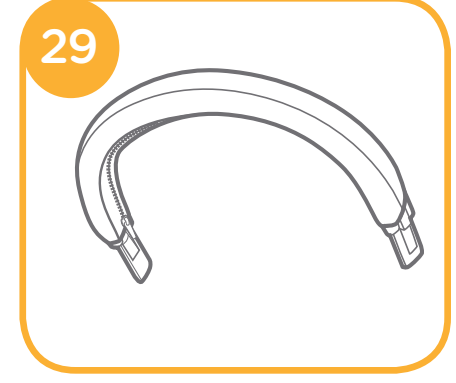
IMPORTANT - KEEP THESE INSTRUCTIONS FOR FUTURE REFERENCE.







Accessories (not included in purchase)



Congratulations on becoming part of the Joie family! We are so excited to be part of your journey with your little one. While traveling with the Joie Rapid™, you are using a high quality, fully certified stroller, complies with Australian Trade Practices Act 1974 Consumer Protection Notice No 8 of 2007 and AS NZS 2088:2013. This product is suitable for use with children weighing under 15kg. Please carefully read this manual and follow each step to ensure a comfortable ride and best protection for your child.

IMPORTANT - Keep these instructions for future reference.

Visit us at joiebaby.com to download manuals and see more exciting Joie products!

For warranty information, please visit our website at joiebaby.com

Contents

Figures	1-6
Product Information	8
Parts List	8
WARNING	9-11
Stroller Assembly	11
Open Stroller	11
Assemble Front Wheels	11
Assemble Rear Wheels	11
Assemble Canopy	11
Stroller Operation	12
Adjust Backrest Angle	12
Use Buckle	12
Use Shoulder & Waist Harnesses	12
Adjust Calf Support	12
Use Front Swivel Lock	13
Use Brake	13
Use Canopy	13
Use Tether Strap	13
Fold Stroller	13
Use Carry Strap	13
Accessories	13
Care and Maintenance	14

Emergency

In case of emergency or accident, it is most important to have your child taken care of with first aid and medical treatment immediately.

Product Information

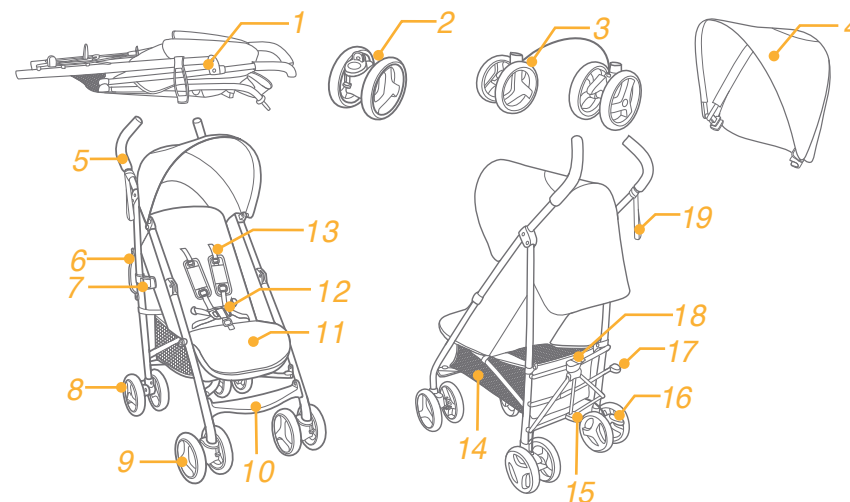
Read all the instructions in this manual before using this product. If you have any further questions, please consult the retailer. Some features may vary depending on model.

Product	Rapid Stroller
Suitable for	Child weighing under 15kg (birth - 36 months)
Materials	Plastics, metal, fabrics
Patent No.	Patents pending
Made in	China
Brand Name	Joie
Website	www.joiebaby.com
Manufacturer	Allison Baby UK Ltd

Parts List

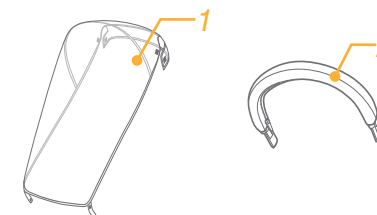
Make sure all parts are available before assembly. If any part is missing, please contact local retailer. No tools are required for assembly.

1 Stroller Frame	6 Carry Strap	11 Calf Support	16 Brake Lever
2 Front Wheel (x2)	7 Storage Latch	12 Buckle	17 Folding Pedal
3 Rear Wheels	8 Rear Wheel	13 Safety Harness	18 Folding Plate
4 Canopy	9 Front Wheel	14 Storage Basket	19 Tether Strap
5 Handle	10 Footrest	15 Foot Plate	



Accessories (Non-included)

- 1 Rain Cover (on certain models)
- 2 Armbar Cover (on certain models)



WARNING

- ! FOLLOW THE MANUFACTURER'S INSTRUCTIONS.
- ! PUT ON ALL THE BRAKES WHENEVER YOU PARK THE STROLLER.
- ! DO NOT LEAVE CHILDREN UNATTENDED. ALWAYS KEEP CHILD IN VIEW WHILE IN STROLLER.
- ! DO NOT CARRY EXTRA CHILDREN OR BAGS ON THIS STROLLER.
- ! **MAKE SURE CHILDREN ARE CLEAR OF ANY MOVING PARTS IF YOU ADJUST THE STROLLER, OTHERWISE THEY MAY BE INJURED.**
- ! TO AVOID INJURY OR DEATH: ALWAYS APPLY THE BRAKES WHENEVER THE STROLLER IS STATIONARY.
- ! TO AVOID SERIOUS INJURY ALWAYS USE THE HARNESS TO PREVENT THE CHILD FALLING OR SLIDING OUT.
- ! USE THIS STRAP TO STOP THE STROLLER ROLLING AWAY.
- ! PLEASE KEEP THE STORAGE LATCH LOCKING CORRECTLY WHEN LIFT AND MOVE THE UNIT.
- ! FOR SAFE CARRYING OF THE FOLDED STROLLER, PLEASE APPLYING OR ENGAGING THE STORAGE LATCH IF THE STORAGE LATCH DOES NOT ENGAGE AUTOMATICALLY.
- ! ALWAYS USE THE CROTCH COMBINATION WITH THE WAIST BELT. THE SHOULDER HARNESSES SHOULD BE USED AS WELL.
- ! ENSURE THAT ALL THE LOCKING DEVICES ARE ENGAGED BEFORE USE.
- ! DO NOT LET YOUR CHILD PLAY WITH THIS PRODUCT.
- ! ADULT ASSEMBLY REQUIRED.
- ! USE THE STROLLER WITH A CHILD WEIGHING LESS THAN 15KG. IT WILL CAUSE DAMAGE TO THE STROLLER WITH AN UNFITTED CHILD.
- ! TO PREVENT A HAZARDOUS, UNSTABLE CONDITION, DO NOT PLACE MORE THAN 4.5KG IN THE STORAGE BASKET.
- ! USE THE STROLLER WITH ONLY ONE CHILD AT A TIME. NEVER PLACE PURSES, SHOPPING BAGS, PARCELS OR ACCESSORY ITEMS ON THE HANDLE OR CANOPY.
- ! OVERLOADING, FOLDING INCORRECTLY, OR USING COMPONENT PARTS FROM OTHER MANUFACTURERS MAY CAUSE THE STROLLER TO BE DAMAGED, BROKEN OR UNSAFE. PLEASE READ THE INSTRUCTION MANUAL CAREFULLY.
- ! NEVER USE ACCESSORIES, PARTS OR COMPONENTS NOT PRODUCED OR APPROVED BY THE MANUFACTURER. PLEASE READ THE INSTRUCTION MANUAL CAREFULLY.
- ! ONLY REPLACEMENT PARTS SUPPLIED OR RECOMMENDED BY THE MANUFACTURER /DISTRIBUTOR SHALL BE USED.

- ! SAFETY BELTS AND RESTRAINT SYSTEMS MUST BE USED CORRECTLY.
- ! MAKE SURE YOUR CHILD'S BODY IS CLEAR FROM THE MOVING PARTS WHEN ADJUSTING THE STROLLER.
- ! CHILD MAY SLIP INTO LEG OPENINGS AND BE STRANGLERED IF THE HARNESS IS NOT USED.
- ! NEVER USE STROLLER ON STAIRS OR ESCALATORS.
- ! KEEP AWAY FROM HIGH TEMPERATURE OBJECTS, LIQUIDS, AND ELECTRONICS.
- ! NEVER ALLOW YOUR CHILD TO STAND ON THE STROLLER OR SIT IN THE STROLLER WITH HEAD TOWARD FRONT OF STROLLER.
- ! NEVER PLACE THE STROLLER ON ROADS, SLOPES OR DANGEROUS AREAS.
- ! DO MAKE SURE ALL MECHANISMS ARE FIXED BEFORE USING THE STROLLER.
- ! TO AVOID STRANGULATION, DO NOT PLACE ITEMS WITH A STRING AROUND YOUR CHILD'S NECK, SUSPEND STRINGS FROM THIS PRODUCT, OR ATTACH STRINGS TO TOYS.
- ! ANY LOAD ATTACHED TO THE HANDLE AND /OR ON THE BACK OF THE BACKREST AND /OR ON THE SIDES OF THE VEHICLE WILL AFFECT THE STABILITY OF THE VEHICLE.
- ! DO NOT LIFT STROLLER WHILE CHILD IS IN STROLLER.
- ! DO NOT USE STORAGE BASKET AS A CHILD CARRIER.
- ! TO PREVENT TIPPING, NEVER LET CHILD CLIMB THE STROLLER. ALWAYS LIFT THE CHILD IN AND OUT OF THE STROLLER.
- ! TO AVOID FINGER ENTRAPMENT, USE CARE WHEN FOLDING AND UNFOLDING THE STROLLER.
- ! BE SURE THE STROLLER IS FULLY OPEN OR FOLDED BEFORE ALLOWING CHILD NEAR THE STROLLER.
- ! TO ENSURE YOUR CHILD'S SAFETY, PLEASE MAKE SURE ALL PARTS ARE ASSEMBLED AND FASTENED PROPERLY BEFORE USING THE STROLLER.
- ! TO AVOID STRANGULATION, DO MAKE SURE YOUR CHILD IS CLEAR FROM THE CANOPY.
- ! ALWAYS ENGAGE THE BRAKES WHEN PARKING THE STROLLER.
- ! DISCONTINUE USING STROLLER IF IT IS DAMAGED OR BROKEN.
- ! STROLLER TO BE USED ONLY AT WALKING SPEED. THIS PRODUCT IS NOT INTENDED FOR USE WHILE JOGGING.
- ! TO AVOID SUFFOCATION, REMOVE PLASTIC BAG AND PACKAGING MATERIALS BEFORE USING THIS PRODUCT. THE PLASTIC BAG AND PACKAGING MATERIALS SHOULD THEN BE KEPT AWAY FROM BABIES AND CHILDREN.
- ! THIS PRODUCT IS NOT SUITABLE FOR RUNNING OR SKATING.

- ! PUSHCHAIR DESIGNED TO BE USED FROM BIRTH SHALL RECOMMEND THE USE OF THE MOST RECLINED POSITION FOR NEW BORN BABIES.
- ! THE PARKING DEVICE SHALL BE ENGAGED WHEN PLACING AND REMOVING CHILDREN.
- ! TO AVOID INJURY ENSURE THAT YOUR CHILD IS KEPT AWAY WHEN UNFOLDING AND FOLDING THIS PRODUCT.
- ! EXTRA CARE IS NEEDED IF USED ON MOVING VEHICLES AND CHILD SHOULD NOT BE LEFT UNATTENDED, EVEN WITH BRAKES ENGAGED.
- ! SECURE THE CHILD IN THE HARNESS AT ALL TIMES.
- ! USE THIS HARNESS AT ALL TIMES.
- ! NEVER LEAVE THE HARNESS BUCKLED WHEN NOT FITTED TO A CHILD IN THE STROLLER BECAUSE THE HARNESS CAN FORM LOOPS WHICH MAY POSE A STRANGULATION HAZARD.
- ! THE PRODUCT NOT BE USED NEAR AN OPEN FIRE OR EXPOSED FLAME.
- ! THE STROLLER IS DESIGNED FOR USE ON FLAT OR GENTLY SLOPING SURFACES AND MAY BE UNSTABLE ON HIGHER SLOPING AND UNEVEN SURFACES, AND USERS SHOULD BE MADE AWARE OF THE POSSIBILITY OF THE STROLLER TIPPING OVER.

Stroller Assembly

Please read all the instructions in this manual before assembling and using this product.

Open Stroller

Separate storage latch from storage mount **1**, and then lift the handle upwards **2 - 1**, push the foot plate downwards with foot **2 - 2**, a click sound means the stroller is open completely.

! Check that the stroller is completely open before continuing.

Assemble Front Wheels

Assemble front wheels to front legs. Check that wheels are securely attached by pulling on wheel assemblies. **3**

To disassemble front wheel, detach front wheel from front leg **4 - 2** while pressing the release tabs outwards. **4 - 1**

Assemble Rear Wheels

Assemble rear wheels to rear legs **5**. Check that wheels are securely attached by pulling on wheel assemblies.

Snap the brake cable into the fixing tabs under square tubes to fix it. **6**

Assemble Canopy

Align the holes of the canopy mounts with the posts on the tubes, and then insert to assemble the canopy **7**, stick the hook and loop fasteners to attach the rear canopy to backrest. **8**

The completely assembled stroller is shown as **9**

Stroller Operation

Adjust Backrest Angle

Recline Backrest

Pull the backrest backwards, while pressing the button in the center of the angle adjuster. **10**

Raise Backrest

Push the backrest forwards, while pulling the webbing at the end of the angle adjuster. **11**

! Make sure the recline is set properly for use.

Use Buckle

Release Buckle

Press the center button to release the buckle. **12**

Lock Buckle

Match the waist belt buckle with the shoulder buckle **13 - 1**, and click into the center buckle. **13 - 2**
A "click" sound means the buckle is locked completely. **13 - 3**

! To avoid serious injury from falling or sliding out, always secure your child with harness.

! Make sure your child is snugly secured. The space between the child and the shoulder harness is about the thickness of one hand.

! Do not cross the shoulder belts. This will cause pressure on child's neck.

Use Shoulder & Waist Harnesses

! In order to protect your child from falling out, after your child is placed into the seat, check whether the shoulder and waist harnesses are at proper height and length.

14 - 1 Shoulder harness anchor A

14 - 2 Shoulder harness anchor B

14 - 3 Slide adjuster

For larger child, use shoulder harness anchor A and the highest shoulder slots. For smaller child, use shoulder harness anchor B and the lowest shoulder slots.

To adjust the position of the shoulder harness anchor, turn the anchor to be level with the side facing forward. Thread it through the shoulder harness slot from back to front **15**. Rethread it through the slot that is closest to child's shoulder height. **16**

Use slide adjuster to change the harness length. **17 - 1**

Press the button **17 - 2**, while pulling the waist harness to proper length. **17 - 3**

Adjust Calf Support

The calf support has 2 positions.

Raise Calf Support

To raise the calf support, just push it upwards.

Lower Calf Support

Press the adjustment buttons on both sides of the calf support **18 - 1**, and rotate the calf support downwards. **18 - 2**

Use Front Swivel Lock

Push up the front swivel locks to maintain the moving direction. ¹⁹

Tip It is recommended to use swivel locks on uneven surfaces.

Use Brake

To lock wheels, step the brake lever downwards. ²⁰

To release wheels, just lift the brake lever upwards. ^{20 - 1}

Tip Always apply brake when stroller is in stopped position.

Tip Clean brake system regularly to ensure fully functional. See care and maintenance section.

Tip To ensure brake is fully on, gently rock the stroller backwards and forwards before releasing the handle.

Use Canopy

To open the canopy, pull canopy toward front. ²¹

To fold the canopy, pull canopy toward back.

Use Tether Strap

Use the tether strap to prevent the stroller inadvertently rolling away. Check that when your hand is through the loop, it allows you to easily control the stroller. ²²

Fold Stroller

! Please fold the canopy before folding the stroller.

Lift the folding plate ²³, step the folding pedal downwards ^{24 - 1}, push the stroller forward to fold ^{24 - 2}. The storage latch will automatically hook onto the storage mount, then the stroller is folded and locked completely. ²⁵

Use Carry Strap

You can carry the stroller with ease by lifting the carry strap. ²⁶

Accessories

Accessories may be sold separately or may not be available depending on region.

Use Rain Cover

To assemble the rain cover, place it over the stroller, and then attach the hook and loop fasteners on the rain cover. ²⁸

! When using the rain cover, please always check its ventilation.

! When not in use, please check that the rain cover has been cleaned and dried before folding.

! Do not fold the stroller after assembling the rain cover.

! Do not place your child into the stroller assembled with rain cover during hot weather.

Use Armbar

see images ²⁹ - ³²

Care and Maintenance

! Removable seat pad may be washed in cold water and drip-dried. No bleach.

! To clean stroller frame, use only household soap and warm water. No bleach or detergent.

! From time to time, check your stroller for loose screws, worn parts, torn material or stitching. Replace or repair the parts as needed.

! Excessive exposure to sun or heat could cause fading or warping of parts.

! If stroller becomes wet, open canopy and allow to dry thoroughly before storing.

! If wheels squeak, use a light oil (e.g., Silicon Spray, antirust oil, or sewing machine oil). It is important to get the oil into the axle and wheel assembly. ²⁷

! If brake pedal stiff/hard to fully engage, flush any debris from brake system with clean water first before lubricating.

! When using your stroller at the beach or areas of high dust/sand, completely clean your stroller after use to remove sand and salt from brake mechanisms and wheel assemblies.



Allison Baby UK Ltd,
Venture Point, Towers Business Park
Rugeley, Staffordshire, WS15 1UZ

bring the kids™

Share the joy at joiebaby.com

P-IM0429E