

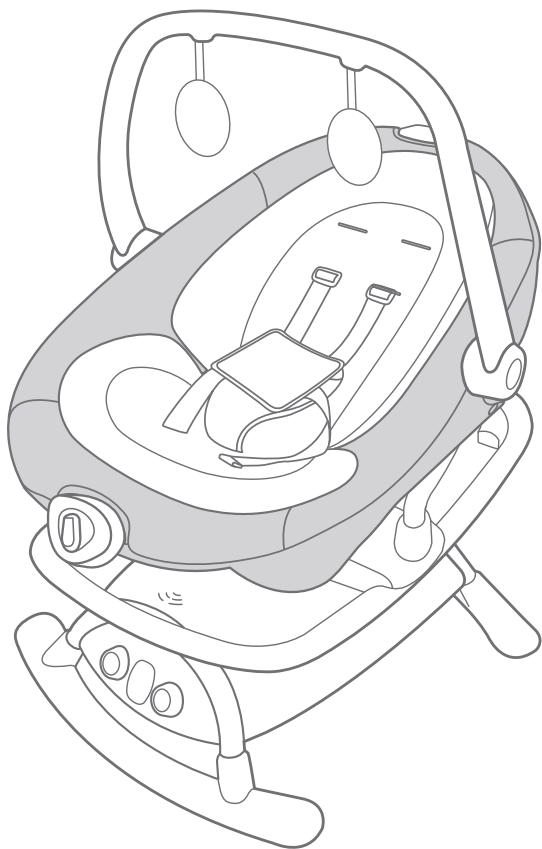
Joie™

birth to 9kg/(birth - 6 months)

sansa™ 2 in 1

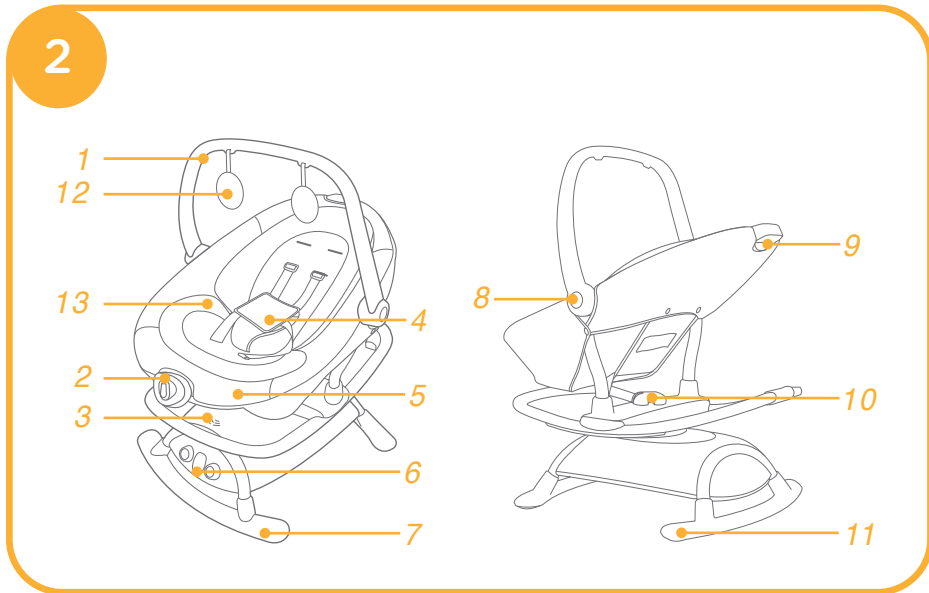
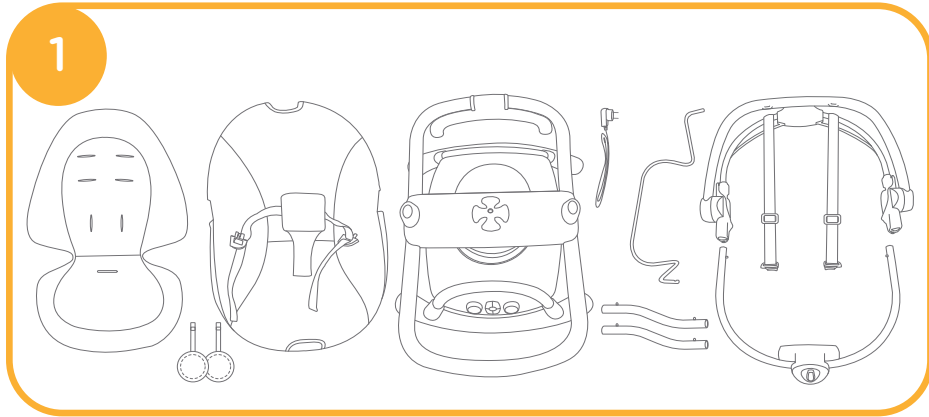
swing

GB Instruction Manual

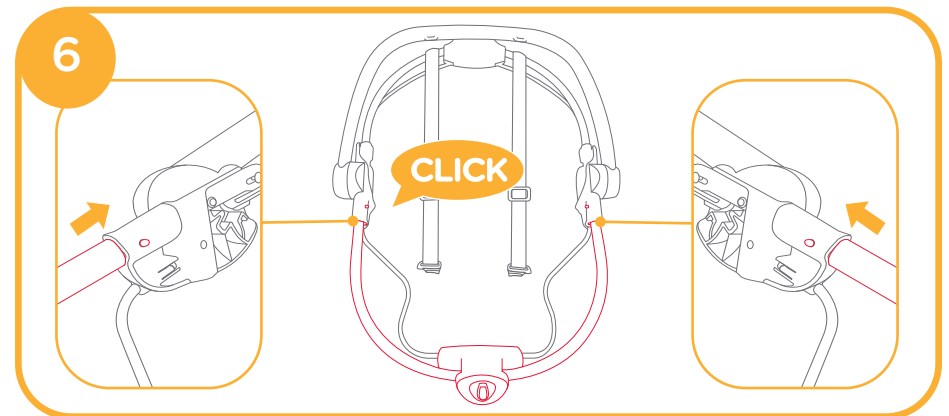
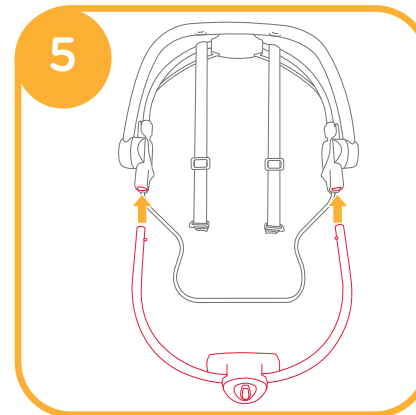
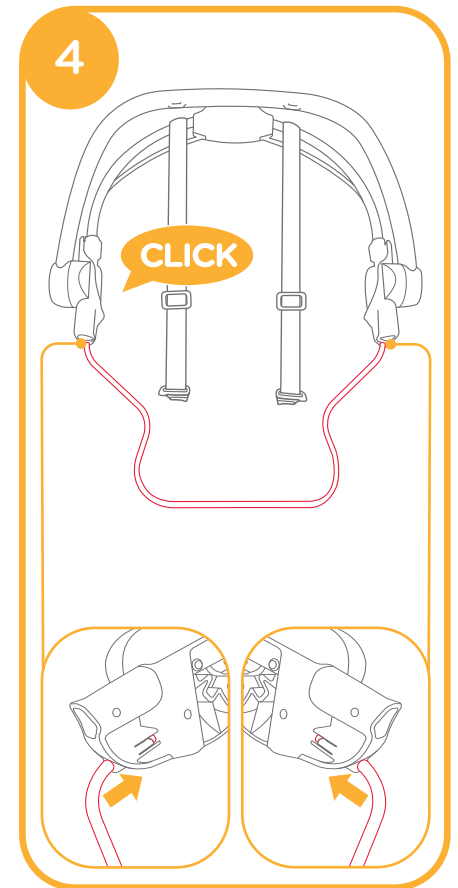
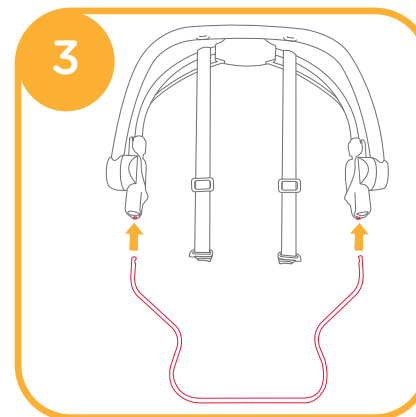


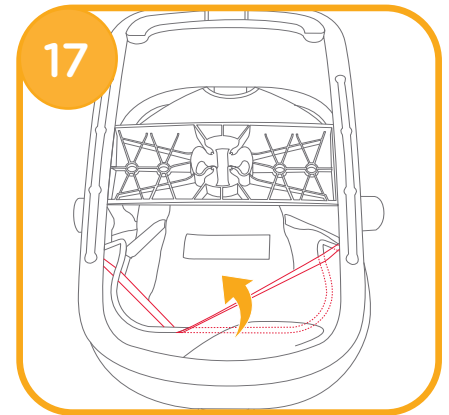
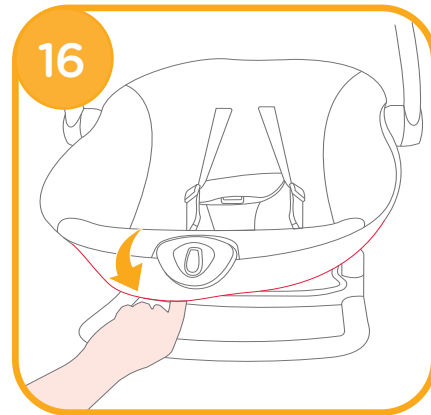
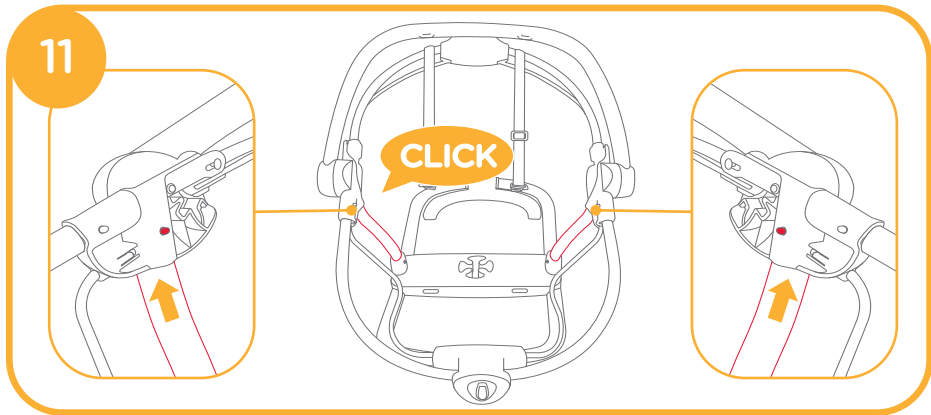
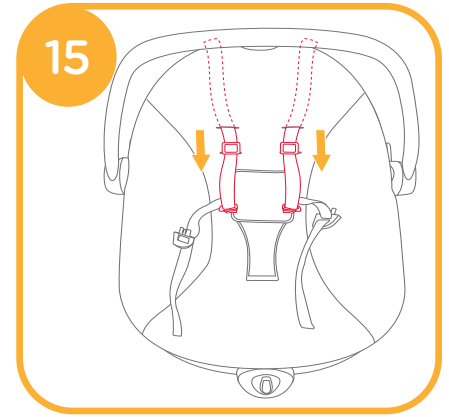
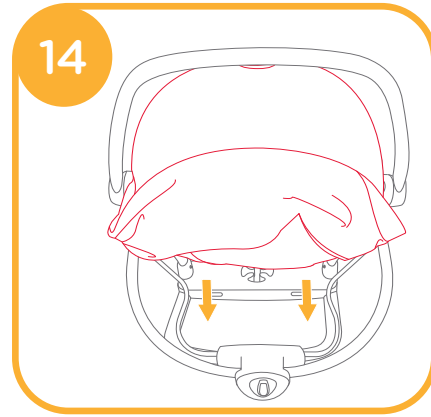
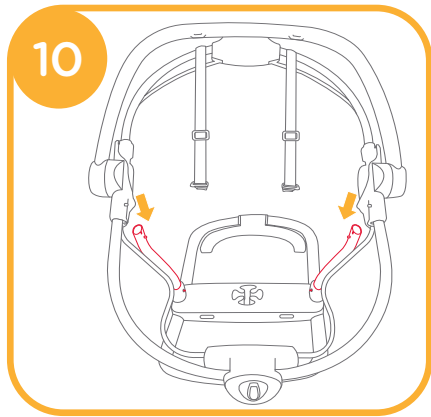
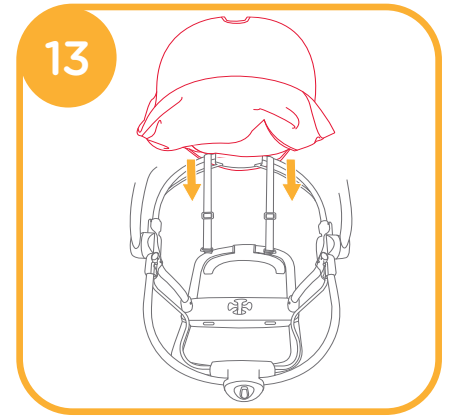
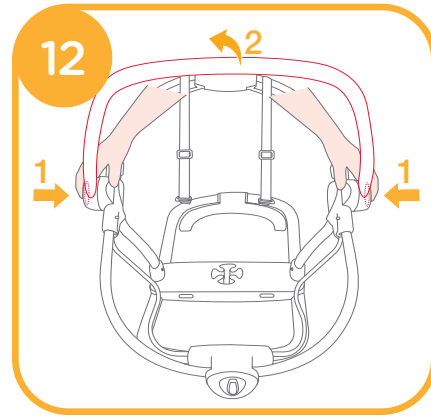
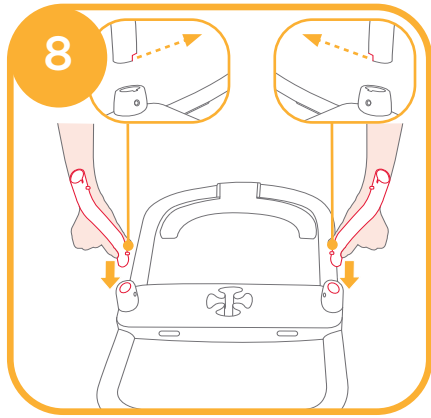
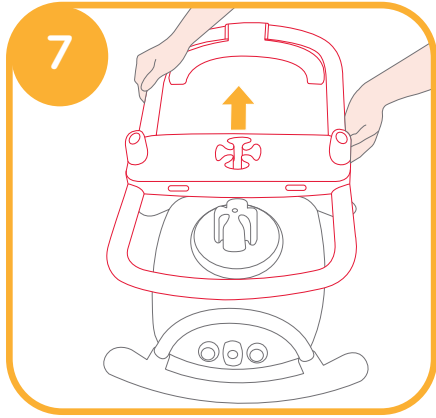
**IMPORTANT! READ CAREFULLY AND KEEP
FOR FUTURE REFERENCE**

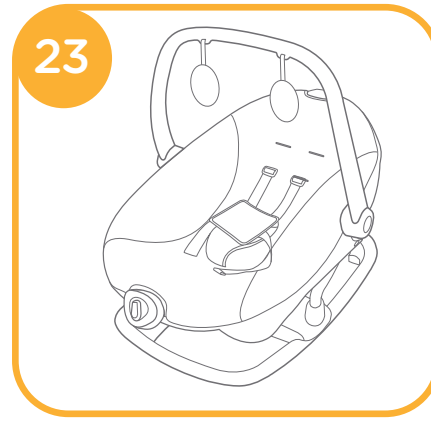
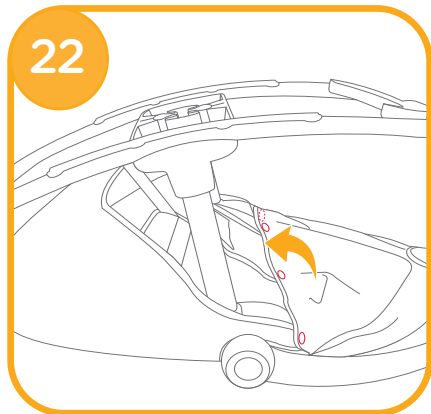
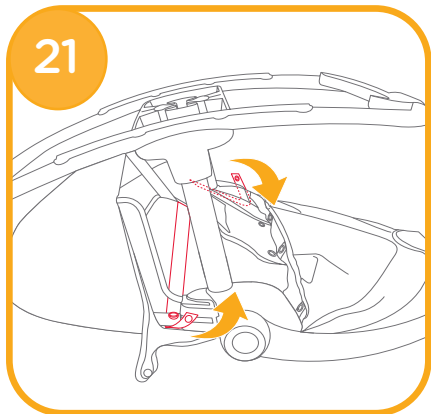
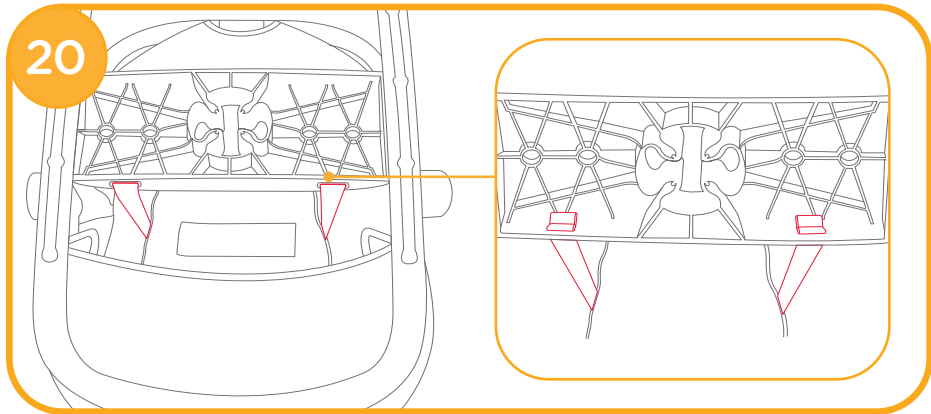
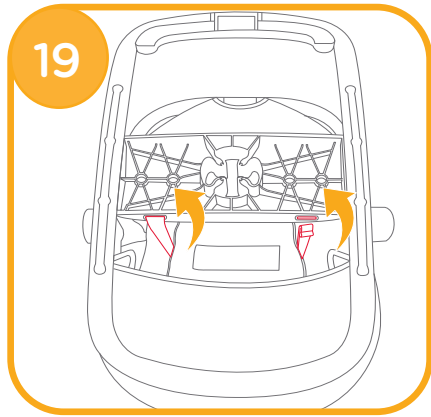
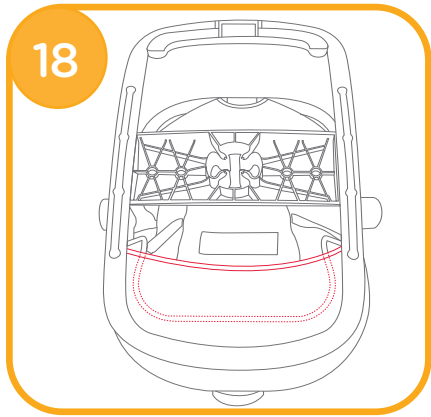
Parts List



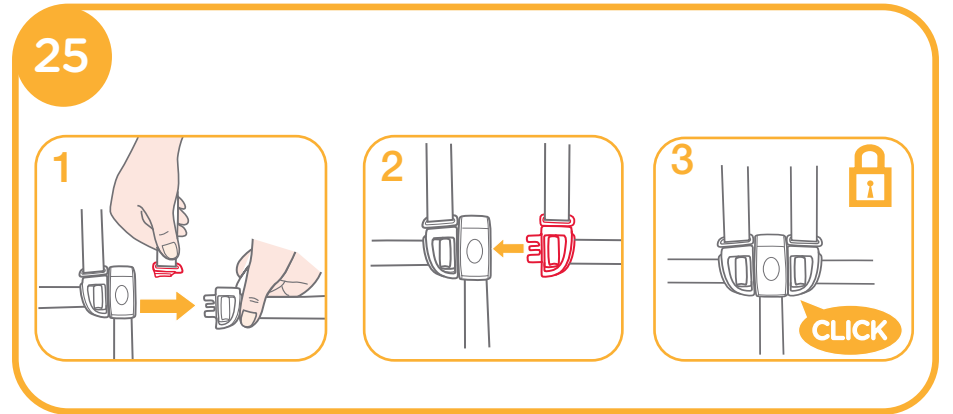
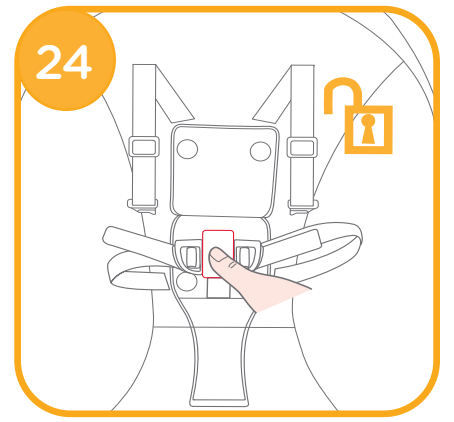
Swing Assembly



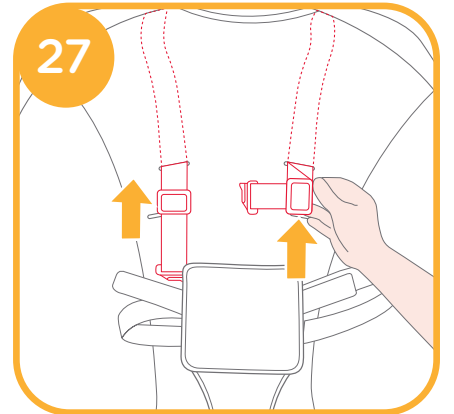
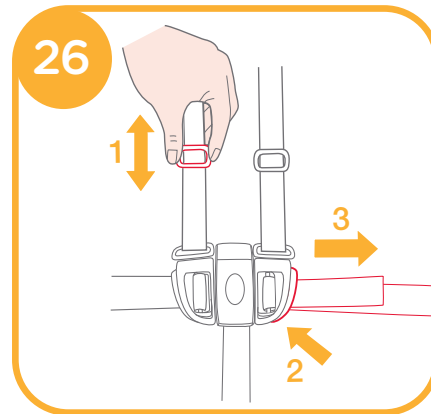


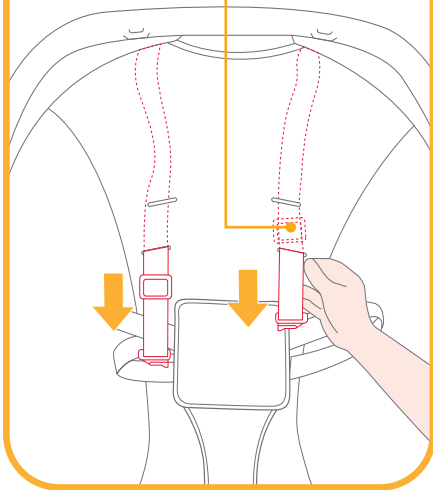
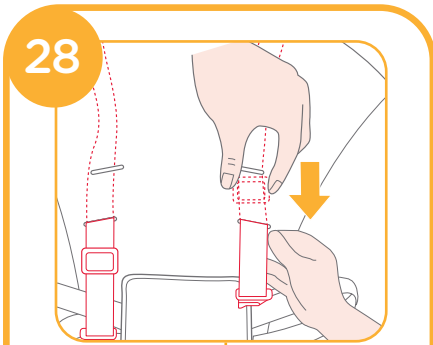


Use Buckle

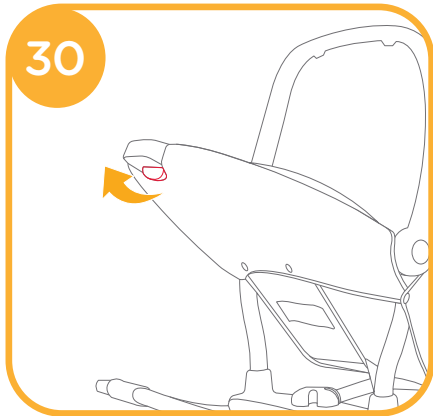


Use Shoulder Harnesses

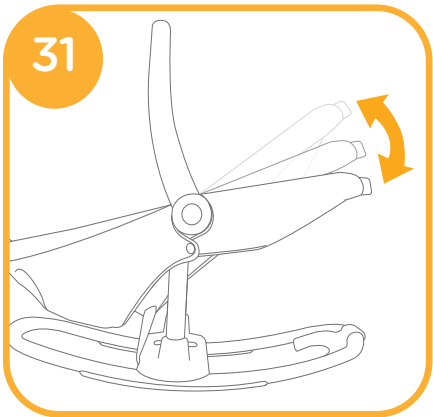




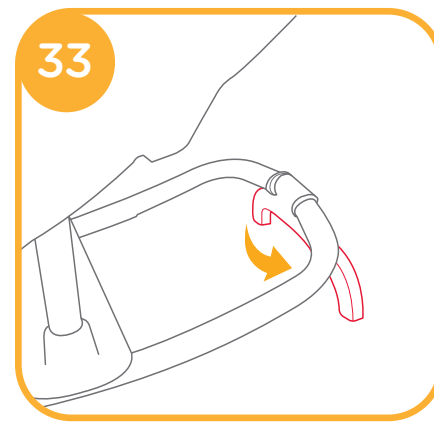
Adjust Recline



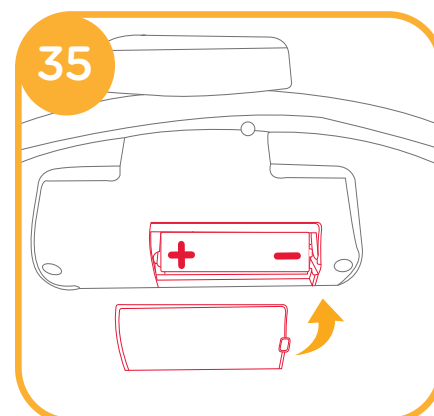
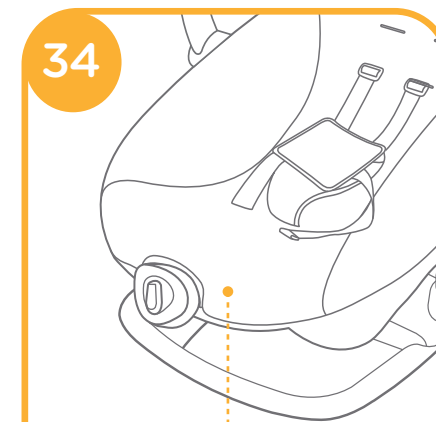
Handle Adjustment



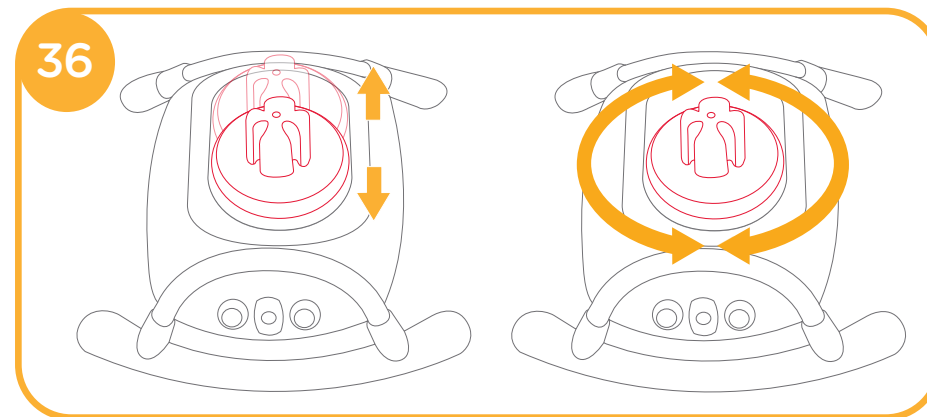
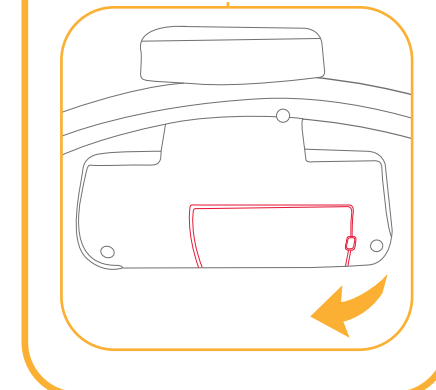
To stabilize the rocker

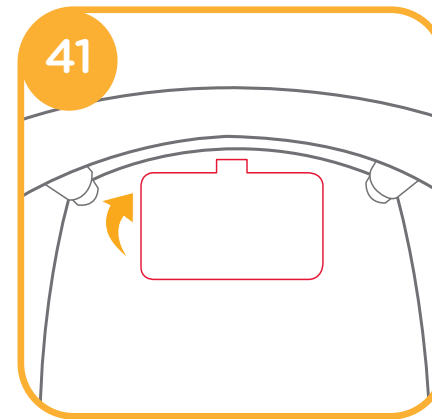
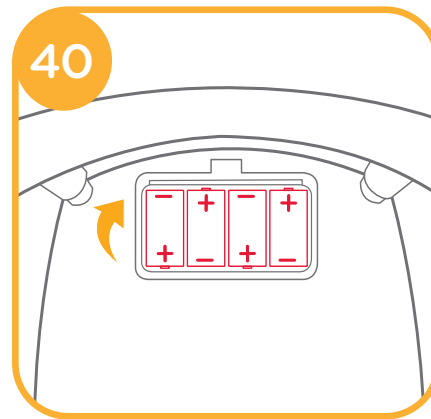
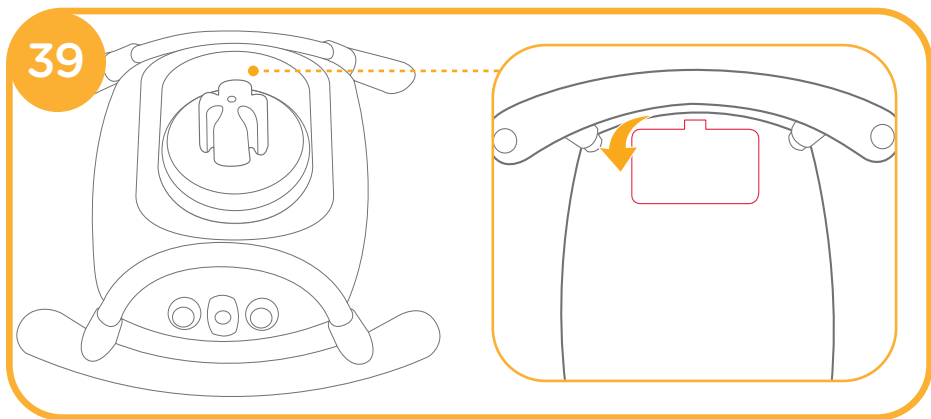
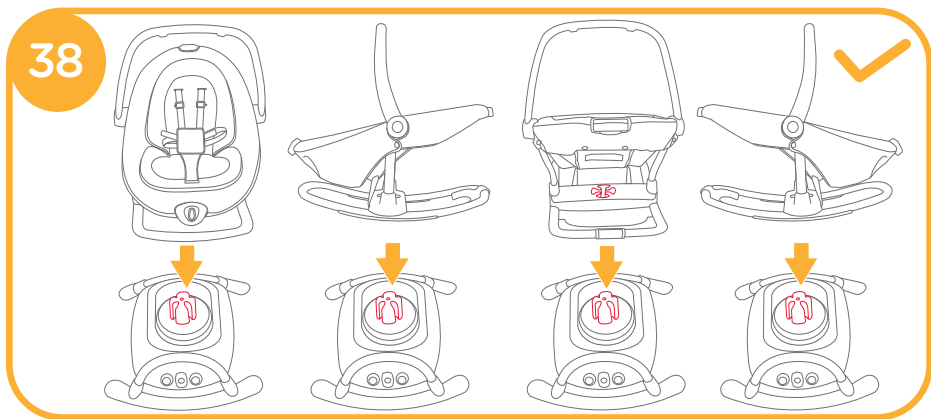
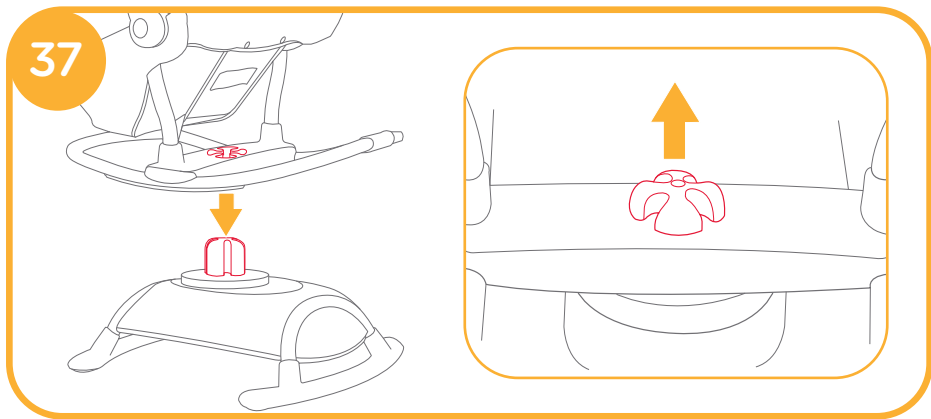


Use Vibration

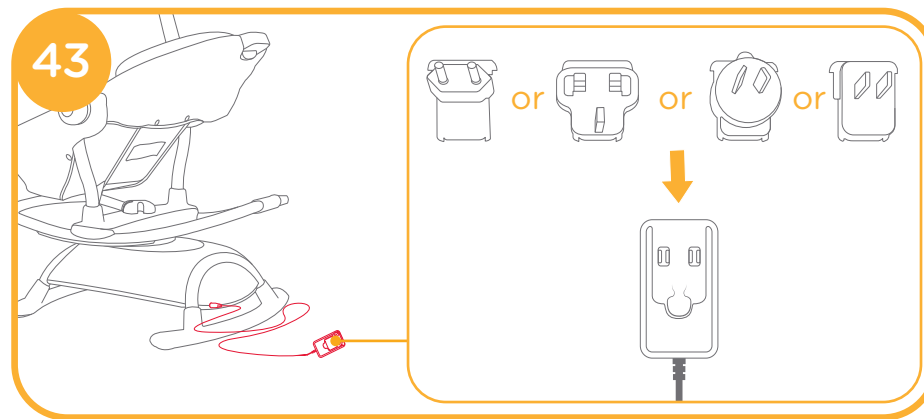
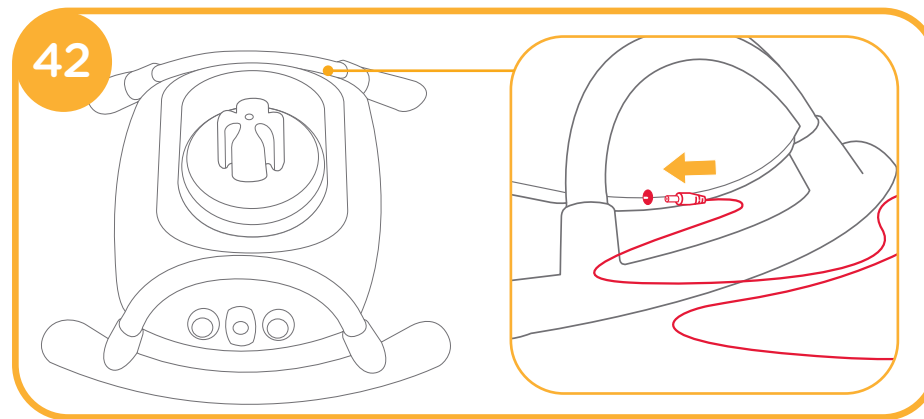


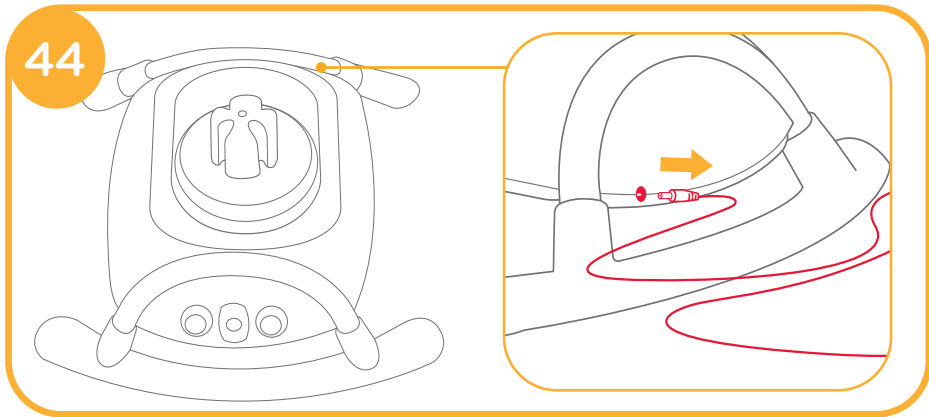
Use Electronic Module



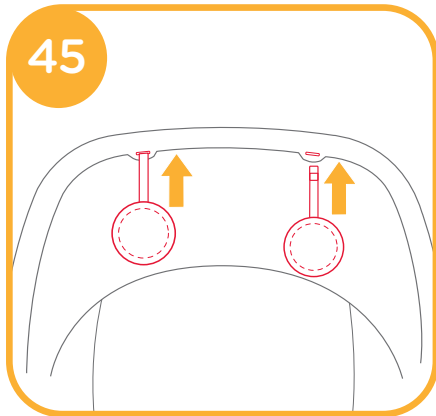


Use Wall Plug

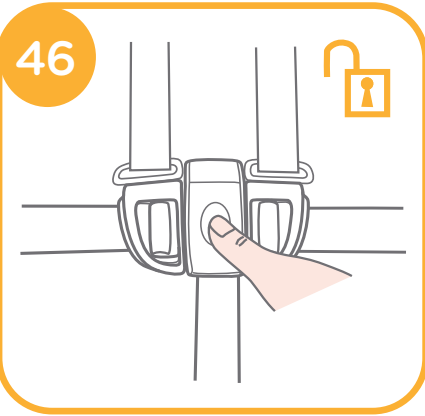




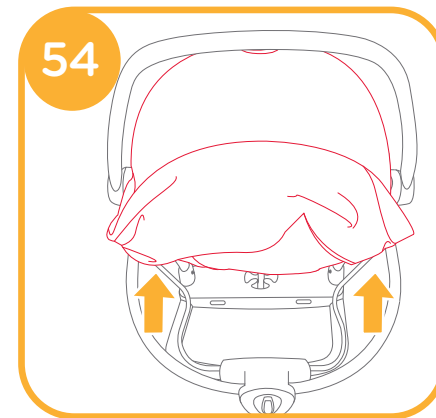
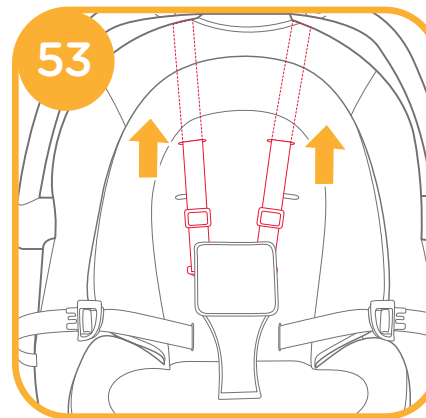
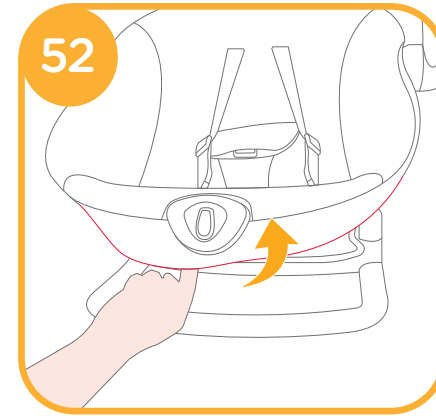
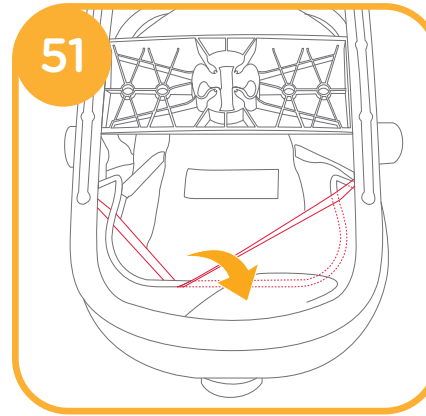
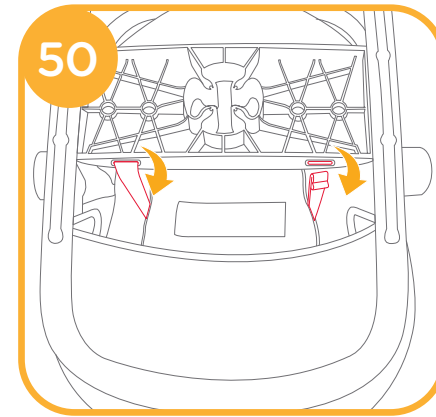
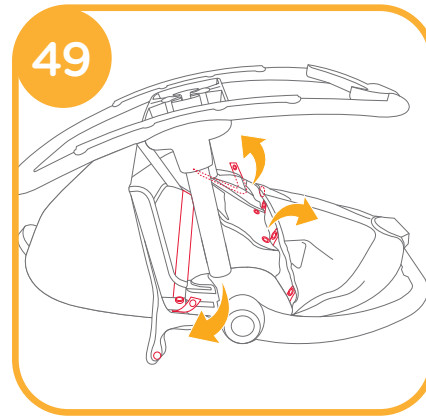
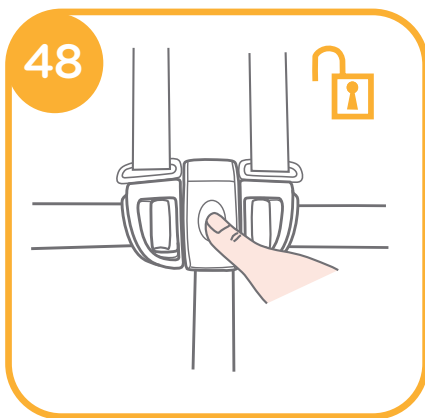
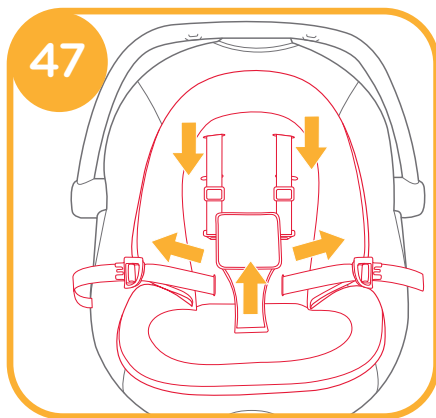
Use Toy

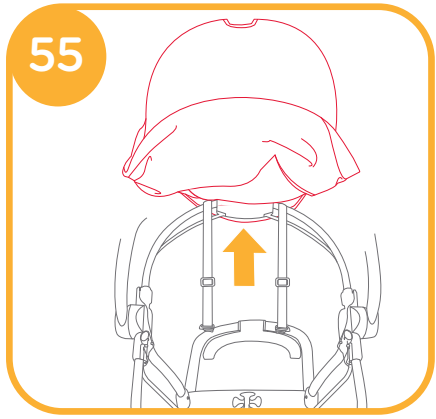


Use Infant Insert



Remove Soft Goods





NOTE

Congratulations on becoming part of the Joie family! We are so excited to be part of your life with your little one. While using the Joie sansa™ 2 in 1, your baby is enjoying a high quality, fully certified swing, approved to European safety standards EN 12790-2:2023 and EN 16232:2013+A2:2023. When using as a reclined cradle, this product is suitable for children up to when they start to stand up. When using as an infant swing, Do Not use this product once your child can sit up unaided or weights more than 9kg (approximately 0-6 months). Please carefully read this manual and follow each step to ensure a pleasant experience and best protection for your child.

Please keep the Instruction Manual handy for future reference.

Visit us at Joiebaby.com to download manuals and see more exciting Joie products.

IMPORTANT! READ CAREFULLY AND KEEP FOR FUTURE REFERENCE

Emergency

In case of emergency or accident, immediately seek medical attention for your child.

Parts List

Read all the instructions in this manual before using this product. If you have any further questions, please consult the retailer. Some features may vary depending on model. No tools are required for assembly.

2.1 Handle	2.6 Electronic Module	2.10 Mount
2.2 Vibration Module	2.7 Support Leg	2.11 Support Leg
2.3 Base	2.8 Handle Adjustment Button	2.12 Toy
2.4 Crotch Harness Cover	2.9 Reclining Adjustment Button	2.13 Infant Insert
2.5 Seat Pad		

WARNING

- Read all the instructions in this manual before using this product.
- Failure to follow these warnings and the assembly instructions could result in danger.
- Adult assembly required.
- NEVER leave the child unattended IN THE swing/cradle.
- DO NOT USE THIS PRODUCT FOR INFANT SLEEP.
- Infants should be placed to sleep on a firm, flat surface.
- DO NOT put objects or accessories in an infant's sleep environment.
- DO NOT place this product near a blind, cord, strap or similar item that could become wrapped around an infant's neck.
- PLACE INFANT ON THEIR BACK WHEN USING THIS PRODUCT.
- Always use the restraint system when using this product.
- When using as an infant swing: DO NOT use this product once your child can sit up unaided or weights more than 9kg (approximately 0-6months).
- When using as a reclined cradle/portable rocker: STOP using the product when the child starts to stand up.
- Never use this product on an elevated surface (e.g. a table).
- Never let the child sleep in this product. This product does not replace a cot or a crib. Should the child fall asleep, then it should be placed in a suitable cot or crib.
- Be aware of the risk of open fire and other sources of strong heat such as electric bar fires, gas fires, etc. in the vicinity of the product.
- DO NOT let children play with this product.
- DO NOT move or lift this product with the baby inside it.
- DO NOT use the product if any parts are broken, torn or missing.

- DO NOT use accessories or replacement parts other than those approved by the manufacturer.
- Check this product regularly. All assembly fittings should be correctly assembled and tightened properly before using the product.
- Ensure batteries are inserted with the correct polarity.
- Do not mixed different types of batteries or new and used batteries.
- Change batteries when product ceases to operate satisfactorily.
- Rechargeable batteries are to be removed from the product before being charged. Rechargeable batteries are only to be charged under adult supervision.
- Non-rechargeable batteries are not to be recharged.
- Exhausted batteries are to be removed from the product.
- The supply terminals are not to be short-circuited.
- Keep the batteries out of children's reach.
- To prevent possible injury by entanglement, remove the toys when the child starts trying to get up on its hands and knees in a crawling position.
- To avoid suffocation, remove plastic bag and packaging materials before using this product. The plastic bag and packaging materials should then be kept away from babies and children.
- Transformers used with the product are to be regularly examined for damage to the cord, plug, enclosure and other parts, and in the event of such damage, they must not be used.
- The product must only be used with the recommended transformers.
- Check this product regularly before using it, and do not use it if any part is loose or missing or if there are any signs of damage. Do not substitute parts. Contact the manufacturer if replacement parts or additional instructions are needed.

Swing Assembly

see images 3 - 23

! Rotate the handle up first to the most upright angle. 12

Use Buckle

see images 24 - 26

Release Buckle

Press the center button to release the buckle. 24

Lock Buckle

Match the waist belt buckle with the shoulder buckle 25 -1, and click into the center buckle. 25 -2

A "click" sound means the buckle is locked completely. 25 -3

! To avoid serious injury from falling or sliding out, always secure your child with harness.

! Make sure your child is snugly secured. The space between the child and the shoulder harness is about the thickness of one hand.

! Do not cross the shoulder belts. This will cause pressure on the child's neck.

Use Shoulder Harnesses

see images 27 - 29

Adjust Recline

see images 30 - 31

There are 3 recline positions.

Squeeze button on the back of seat and push down or pull up to adjust the seat back to a desired recline position.

! Make sure the recline is set properly for use.

Handle Adjustment

see images 32

Handle can be adjusted to 2 positions.

To adjust the handle, press the left and right handle adjustment buttons at the same time, and rotate the handle to a desirable position.

! The correct position of the carrying handle during the child transportation is the most upright position.

To stabilize the rocker

see images 33

Use Vibration

see images 34 - 35

! Recommended type batteries-alkaline disposables, size D (1.5V). 35

≈ Vibration Speed Down ⓧ Vibration Off ≈ Vibration Speed Up

! Batteries not included.

Use Electronic Module

see images 36 - 41

! Recommended type batteries-alkaline disposables, size D (4X1.5V). NEVER mix battery types. 40

⏻ Main Power OFF/ON 🎧 Nature Sound 📡 Speaker
+ - Swing Speed UP/DOWN 🎵 Music
↕ Horizontal Straight Motion ↻ Horizontal Rotation Motion

! Swing turns off automatically after continuously running for 4 hours. Press power button to turn swing back on.

Use Wall Plug

see images 42 - 44

- ! Product does not recharge batteries. When AC adapter is in use, batteries will automatically shut off.
- ! DO NOT place product near water and moisture. Do not use the product near possible wet areas, such as a bathtub, shower, wash basin, sink, laundry tub, swimming pool, wet basement, etc.
- ! DO NOT use the AC adaptor if it has been exposed to liquids, has been dropped, or is damaged.
- ! Protect the power cord. Place it so it is not walked on or pinched by furniture or other items.
- ! Keep this cord out of the reach of children. DO NOT use with an extension cord.
- ! Use only power cord provided.

Use Toy

see images 45

Use Infant Insert

see images 46 - 47

Remove Soft Goods

see images 48 - 55

- ! Open the buckle, and remove the head support and infant insert from the webbing.
- ! To reattach the soft goods please repeat the above steps in the reverse order.

Care and Maintenance

1. Your product can be spot cleaned with a sponge and soapy water.
2. Do not use undiluted neutral detergent, gasoline or other organic solvent to wash the product. It may cause damage to the product.
3. Do not use bleach.
4. From time to time, check your product for worn parts, torn material or stitching. Replace or repair the parts as needed.
5. If the product is not in use for a long period of time, please store it in the shade where your child cannot access it.

Please recycle this product.





Allison AU Pty Ltd.
Unit 1, 35 Lyn Parade Prestons,
NSW Australia 2170

bring the kids™

Share the joy at joiebaby.com

IM-001848C