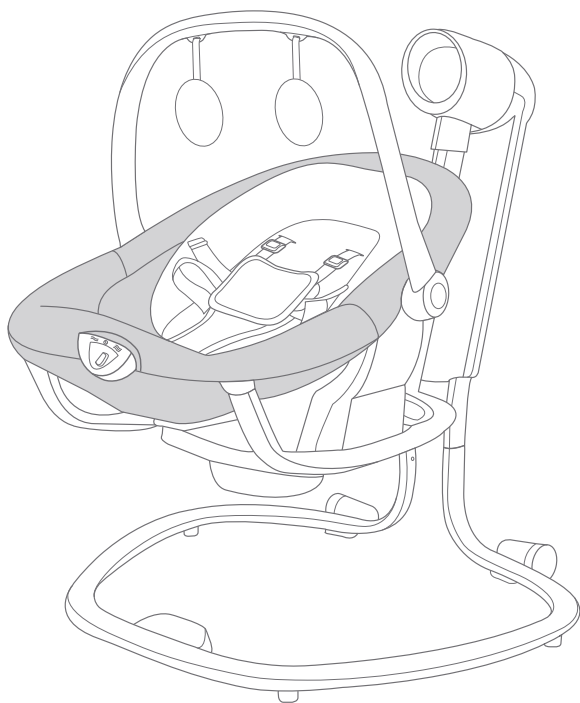


Joie™

birth to 9kg/(birth - 6 months)

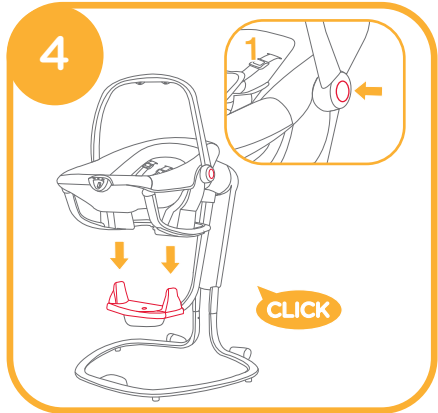
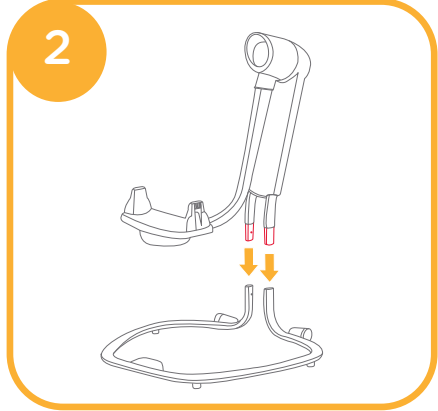
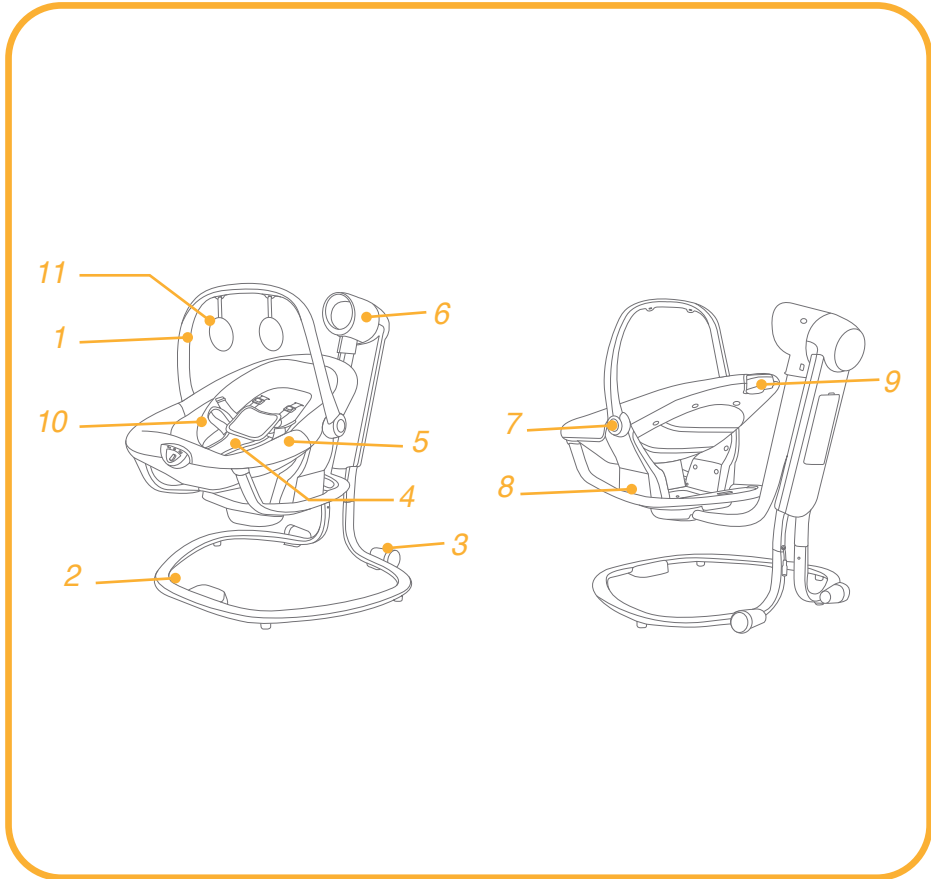
serina™ 2 in 1 swing

GB Instruction Manual

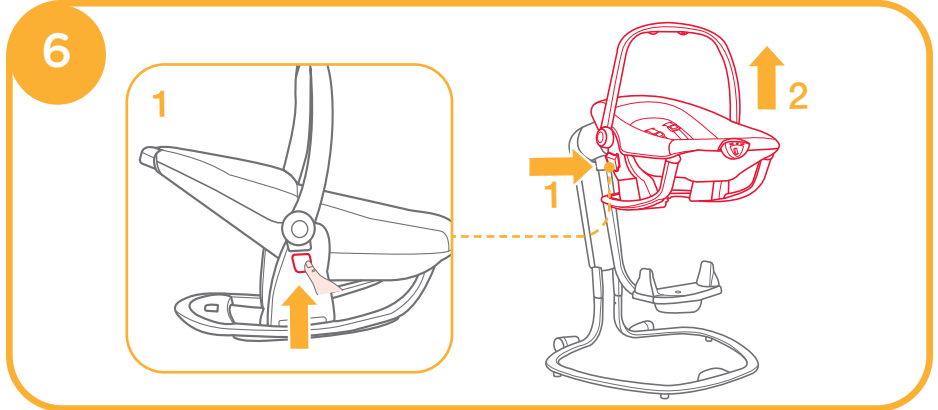
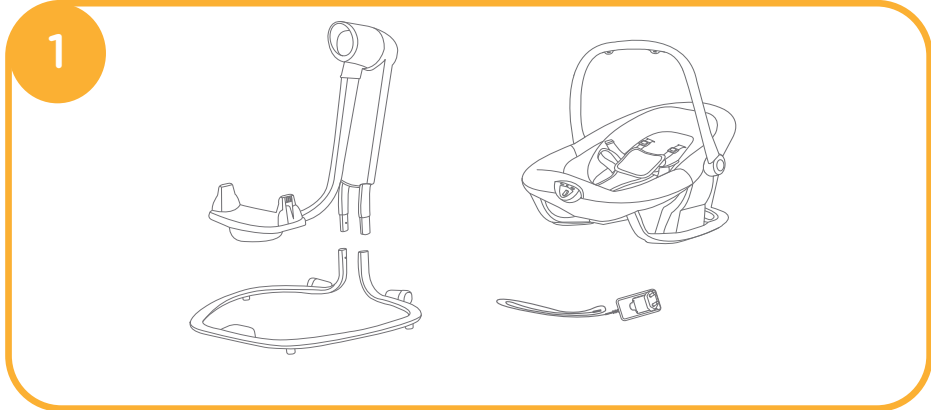


**IMPORTANT! READ CAREFULLY AND
KEEP FOR FUTURE REFERENCE**

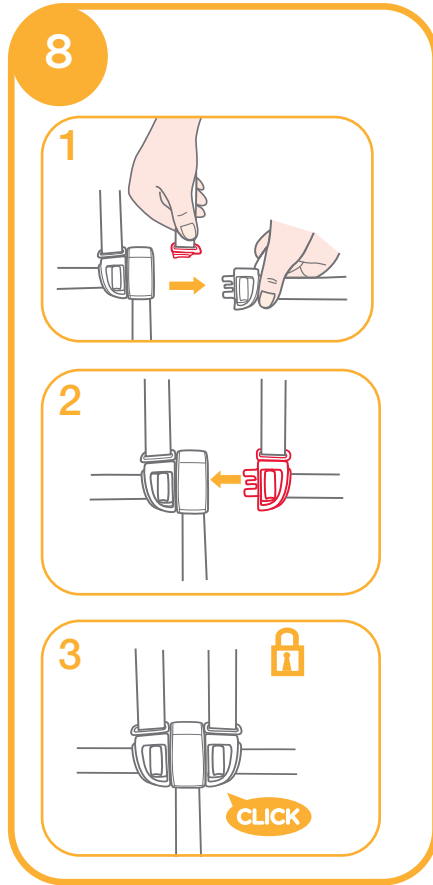
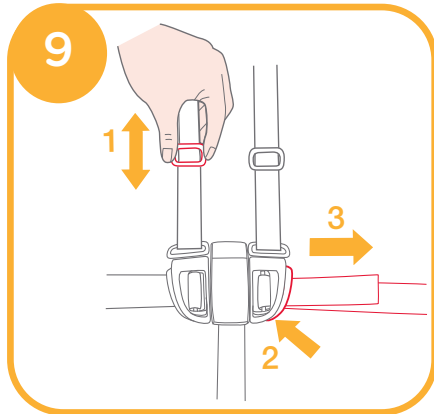
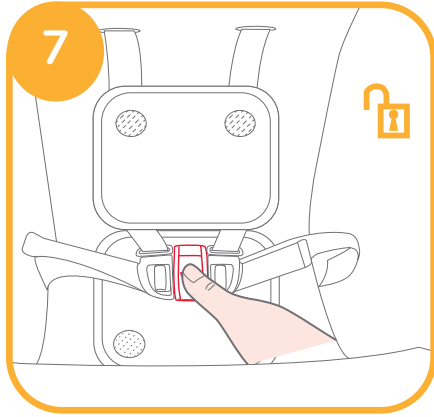
Parts List:



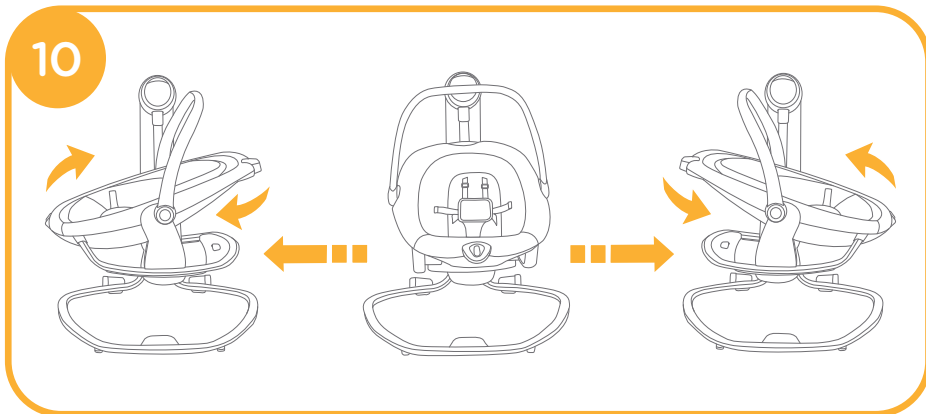
Assembling Swing



Use Buckle & Harness Straps



Rotate the seat



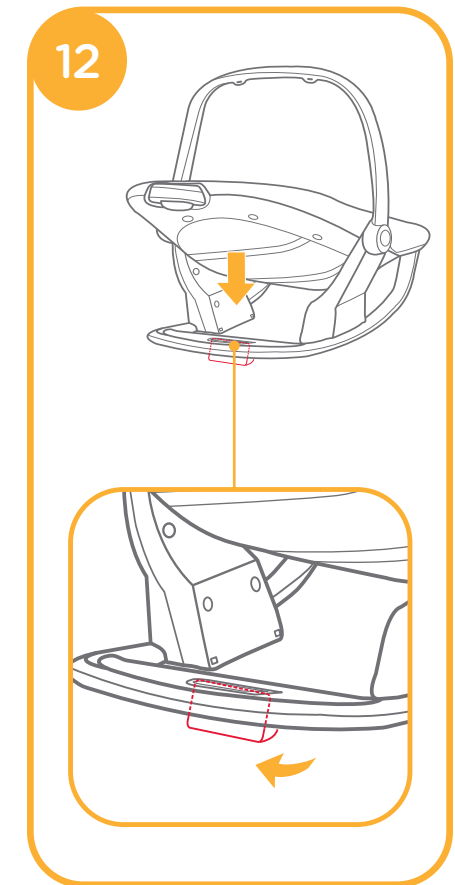
Use Wheels



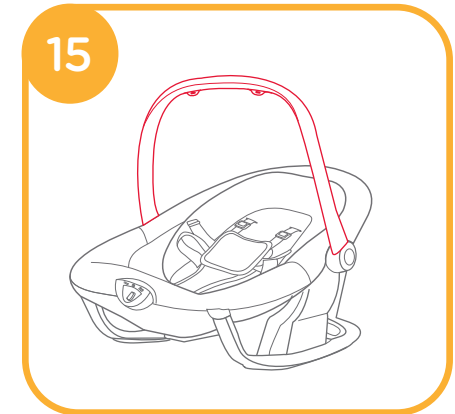
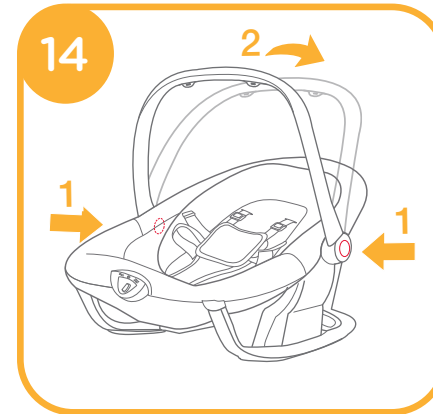
Adjust Recline



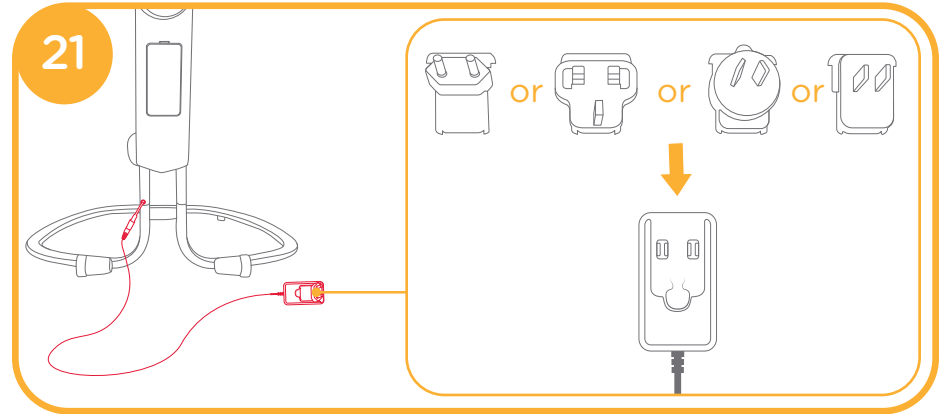
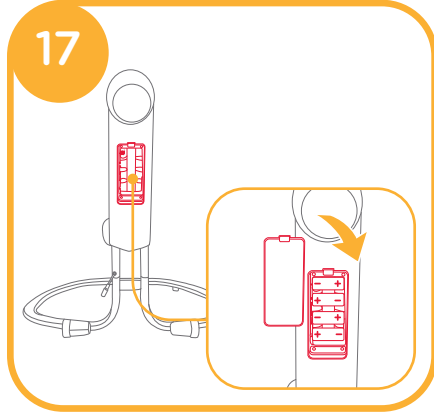
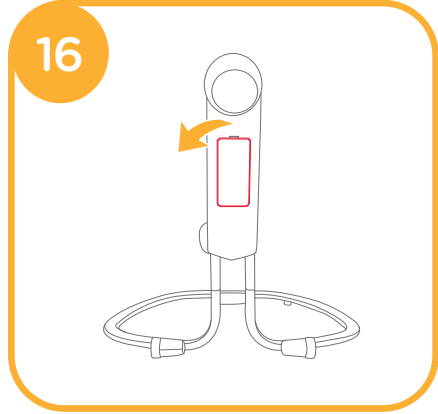
To Stabilize the Rocker



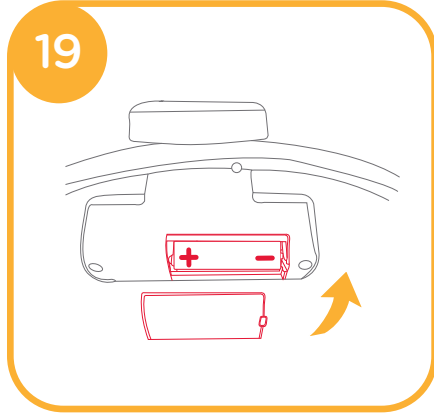
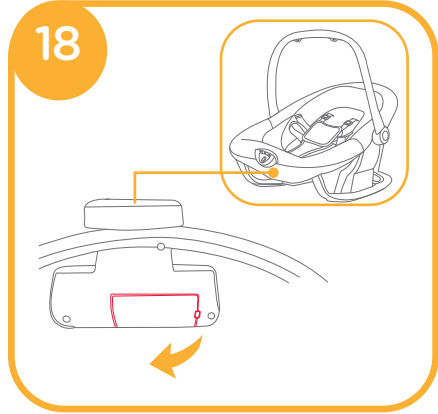
Handle Adjustment



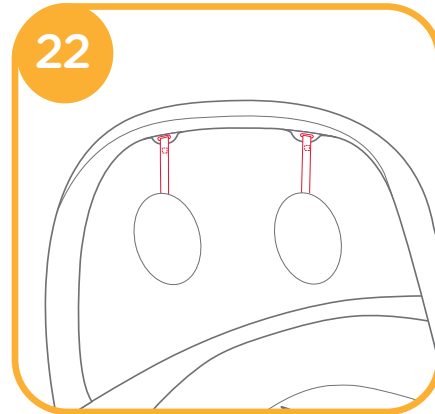
Use Electronic Module



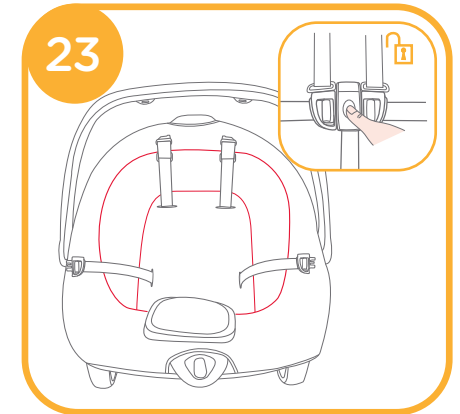
Use Vibration



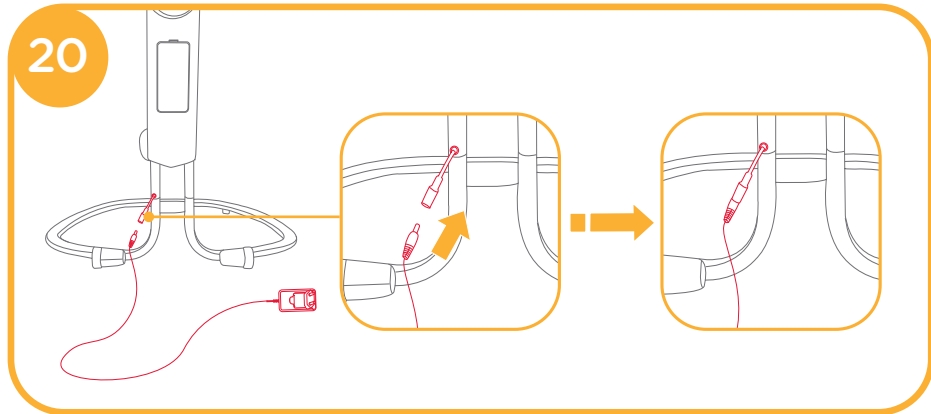
Use Toy



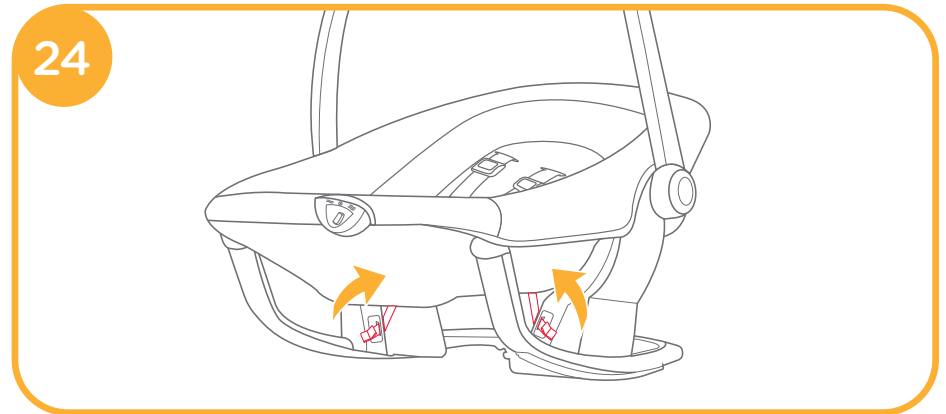
Use Infant Insert

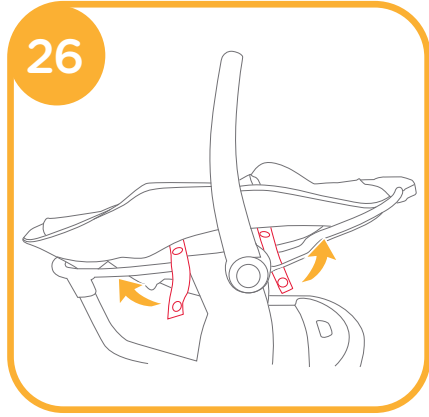
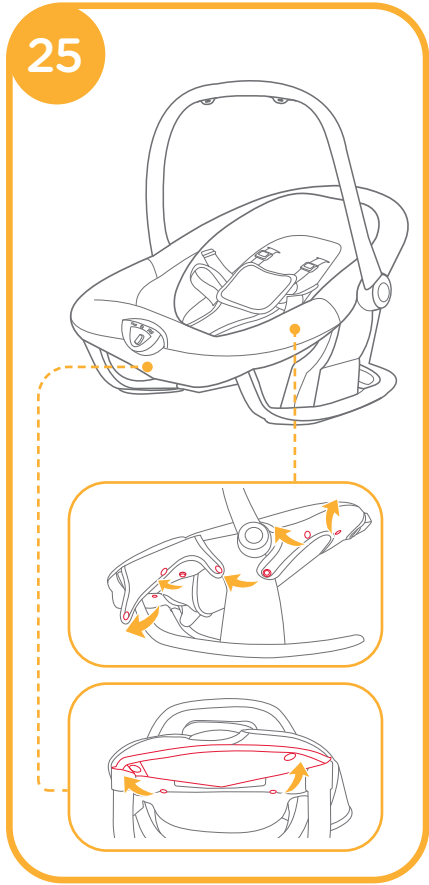


Use Wall Plug



Remove Soft Goods





GB Welcome to Joie™

Congratulations on becoming part of the Joie family! We are so excited to be part of your life with your little one. While using the Joie serina™ 2 in 1, your baby is enjoying a high quality, fully certified swing, approved to European safety standards EN 12790-2:2023 and EN 16232:2013+A2:2023. When using as a reclined cradle, this product is suitable for children up to when they start to stand up. When using as an infant swing, the product is suitable for use with children weighing under 9kg (approximately 0-6 months). Please carefully read this manual and follow each step to ensure a pleasant experience and best protection for your child.

Please keep the Instruction Manual handy for future reference.

Visit us at Joiebaby.com to download manuals and see more exciting Joie products.

IMPORTANT! READ CAREFULLY AND KEEP FOR FUTURE REFERENCE

Emergency

In case of emergency or accident, immediately seek medical attention for your child.

Parts List

Read all the instructions in this manual before using this product. If you have any further questions, please consult the retailer. Some features may vary depending on model. No tools are required for assembly.

1 Handle	5 Seat Pad	9 Reclining Adjustment Button
2 Bracket Tower Assembly	6 Electronic Module	10 Infant Insert
3 Wheels	7 Handle Adjustment Button	11 Toys
4 Crotch Harness Cover	8 Rocker	

⚠ WARNING

- Read all the instructions in this manual before using this product.
- Failure to follow these warnings and the assembly instructions could result in danger.
- Adult assembly required.
- NEVER leave the child unattended IN THE swing/cradle.
- DO NOT USE THIS PRODUCT FOR INFANT SLEEP.
- Infants should be placed to sleep on a firm, flat surface.
- DO NOT put objects or accessories in an infant's sleep environment.
- DO NOT place this product near a blind, cord, strap or similar item that could become wrapped around an infant's neck.
- PLACE INFANT ON THEIR BACK WHEN USING THIS PRODUCT.
- Always use the restraint system when using this product.
- When using as an infant swing: DO NOT use this product once your child can sit up unaided or weights more than 9kg (approximately 0-6months).
- When using as a reclined cradle/portable rocker: STOP using the product when the child starts to stand up.
- Never use this product on an elevated surface (e.g. a table).
- Never let the child sleep in this product. This product does not replace a cot or a crib. Should the child fall asleep, then it should be placed in a suitable cot or crib.
- Be aware of the risk of open fire and other sources of strong heat such as electric bar fires, gas fires, etc. in the vicinity of the product.
- DO NOT let children play with this product.
- DO NOT move or lift this product with the baby inside it.
- DO NOT use the product if any parts are broken, torn or missing.

- DO NOT use accessories or replacement parts other than those approved by the manufacturer.
- Check this product regularly. All assembly fittings should be correctly assembled and tightened properly before using the product.
- Ensure batteries are inserted with the correct polarity.
- Do not mixed different types of batteries or new and used batteries.
- Change batteries when product ceases to operate satisfactorily.
- Rechargeable batteries are to be removed from the product before being charged. Rechargeable batteries are only to be charged under adult supervision.
- Non-rechargeable batteries are not to be recharged.
- Exhausted batteries are to be removed from the product.
- The supply terminals are not to be short-circuited.
- Keep the batteries out of children's reach.
- To prevent possible injury by entanglement, remove the toys when the child starts trying to get up on its hands and knees in a crawling position.
- To avoid suffocation, remove plastic bag and packaging materials before using this product. The plastic bag and packaging materials should then be kept away from babies and children.
- Transformers used with the product are to be regularly examined for damage to the cord, plug, enclosure and other parts, and in the event of such damage, they must not be used.
- The product must only be used with the recommended transformers.
- Check this product regularly before using it, and do not use it if any part is loose or missing or if there are any signs of damage. Do not substitute parts. Contact the manufacturer if replacement parts or additional instructions are needed.

Swing Assembly

see images 1 - 6

! Rotate the handle up first to the most upright angle. 4 -1

Use Buckle & Harness Straps

see images 7 - 9

Release Buckle

Press the center button to release the buckle. 7

Lock Buckle

Match the waist belt buckle with the shoulder buckle 8 -1, and click into the center buckle. 8 -2

A "click" sound means the buckle is locked completely. 8 -3

! To avoid serious injury from falling or sliding out, always secure your child with harness.

! Make sure your child is snugly secured. The space between the child and the shoulder harness is about the thickness of one hand.

! Do not cross the shoulder belts. This will cause pressure on the child's neck.

Rotate the seat

see image 10

! The seat can be rotated by 180 degrees from side to side.

Use Wheels

see image 11

To Stabilize the Rocker

see image 12

Adjust Recline

see image 13

There are 3 recline positions.

Squeeze button on the back of seat and push down or pull up to adjust the seat back to a desired recline position.

! Make sure the recline is set properly for use.

Handle Adjustment

see image 14 - 15

Handle can be adjusted to 2 positions.

To adjust the handle, press the left and right handle adjustment buttons at the same time, and rotate the handle to a desirable position. 14

! The correct position of the carrying handle during the child transportation is the most upright position. 15

Use Electronic Module

see images 16 - 17

! Recommended type batteries-alkaline disposables, size D (4X1.5V). NEVER mix battery types. 17



! If the top left light on the motor is flashing blue, please check to ensure that you are using the correct adaptor (adaptor supplied or approved by the manufacturer).

! Night light turns off automatically after continuously running for 6 minutes.

Use Vibration

see images 18 - 19

! Recommended type batteries-alkaline disposables, size D (1.5V). 19



! Batteries not included

Use Wall Plug

see images 20 - 21

! Product does not recharge batteries. When AC adaptor is in use, batteries will automatically shut off.

! DO NOT place product near water and moisture. Do not use the product near possible wet areas, such as a bathtub, shower, wash basin, sink, laundry tub, swimming pool, wet basement, etc.

! DO NOT use the AC adaptor if it has been exposed to liquids, has been dropped, or is damaged.

! Protect the power cord. Place it so it is not walked on or pinched by furniture or other items.

! Keep this cord out of the reach of children. DO NOT use with an extension cord.

! Use only power cord provided.

Use Toy

see image 22

Use Infant Insert

see image 23

Remove Soft Goods

see images 24 - 26

! Open the buckle, and remove the head support and infant insert from the webbing.

! To reattach the soft goods please repeat the above steps in the reverse order.

Care and Maintenance

1. Your product can be spot cleaned with a sponge and soapy water.
2. Do not use undiluted neutral detergent, gasoline or other organic solvent to wash the product. It may cause damage to the product.
3. Do not use bleach.
4. From time to time, check your product for worn parts, torn material or stitching. Replace or repair the parts as needed.
5. If the product is not in use for a long period of time, please store it in the shade where your child cannot access it.

Please recycle this product.





Allison AU Pty Ltd.
Unit 1, 35 Lyn Parade Prestons,
NSW Australia 2170

bring the kids™

Share the joy at joiebaby.com

IM-001849C