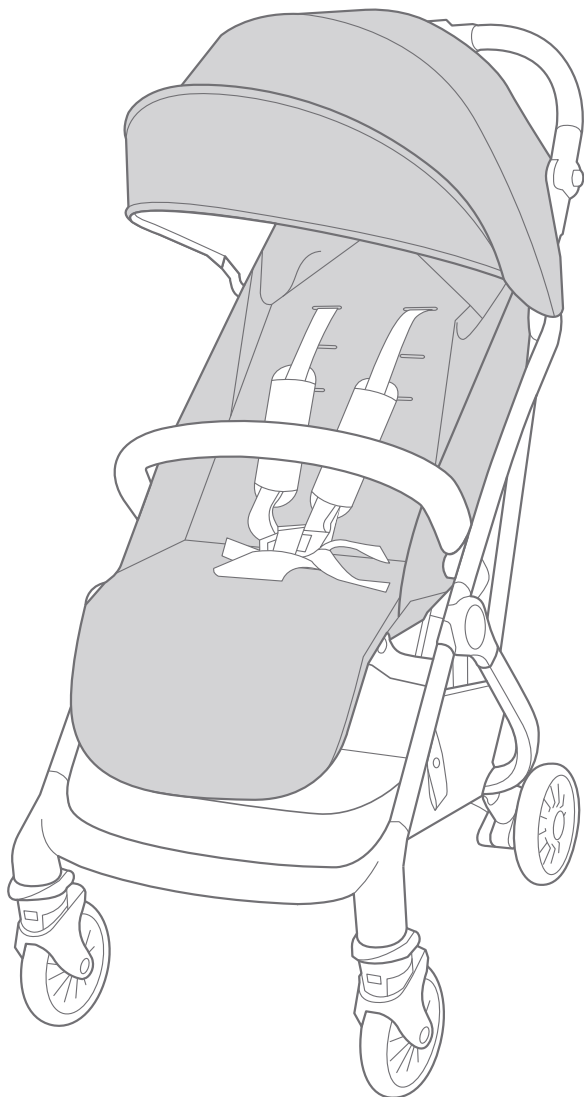


Joie™

birth to 15kg/(birth - 36 months)

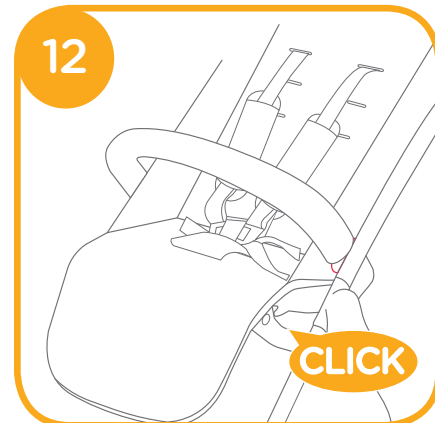
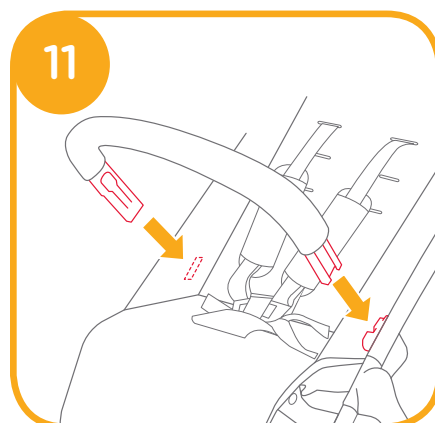
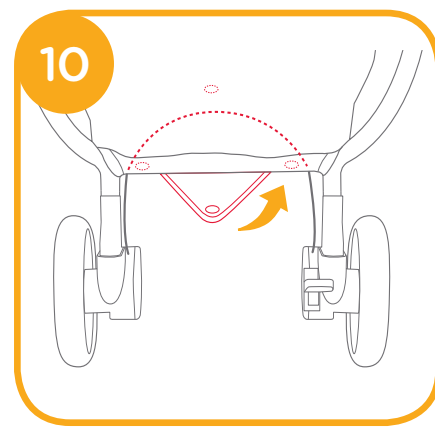
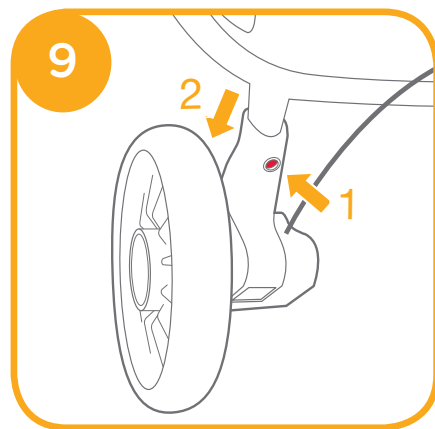
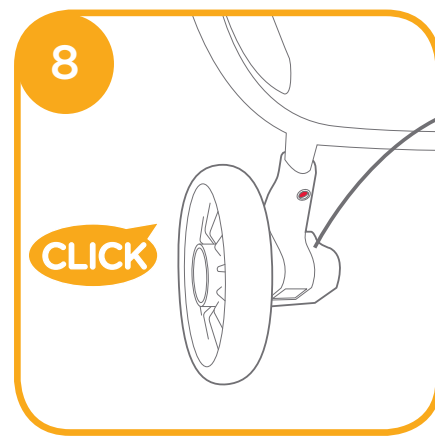
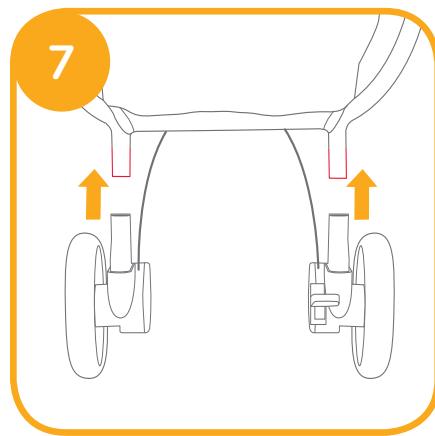
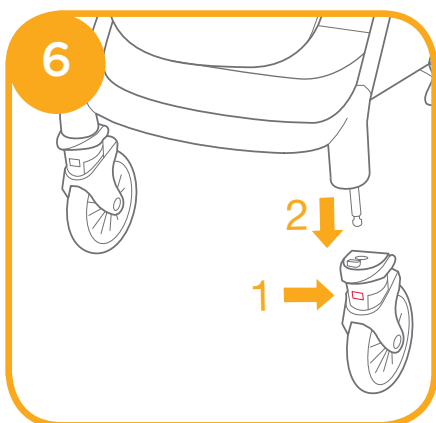
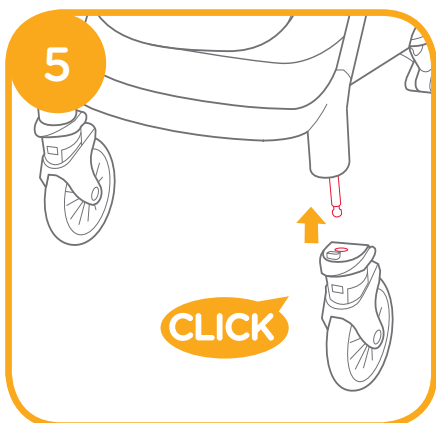
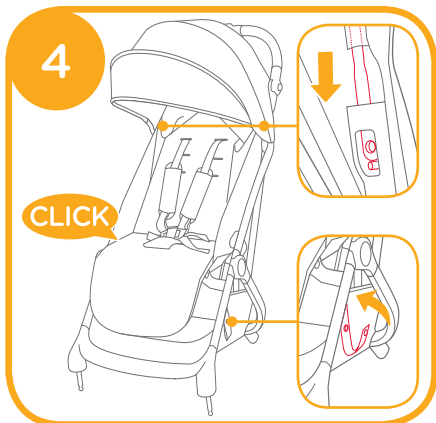
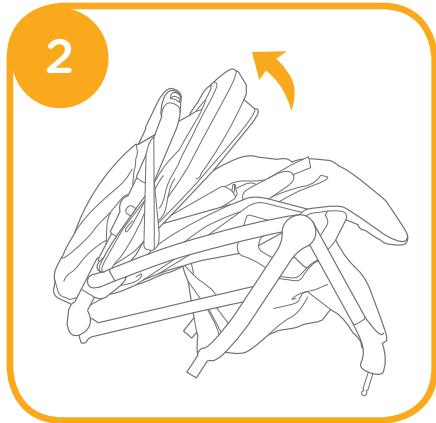
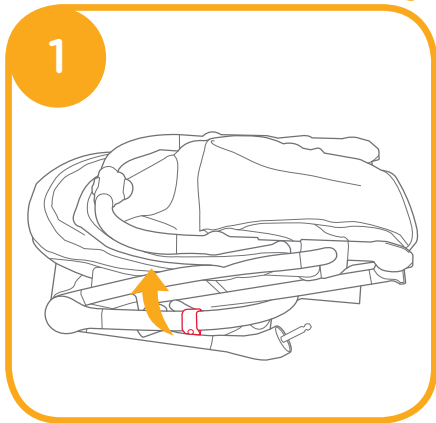
tourist™ stroller

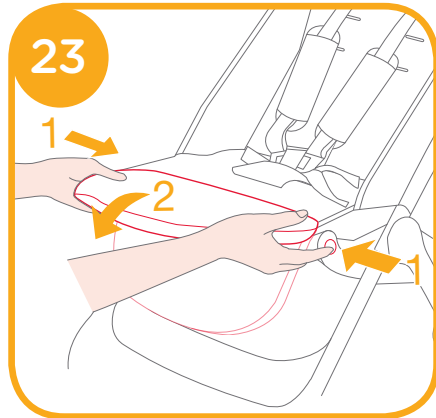
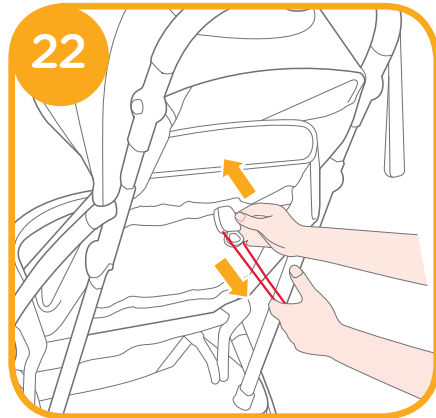
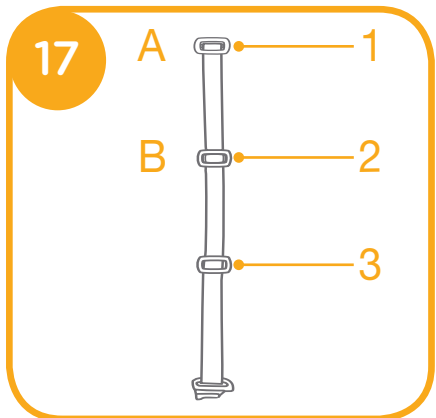
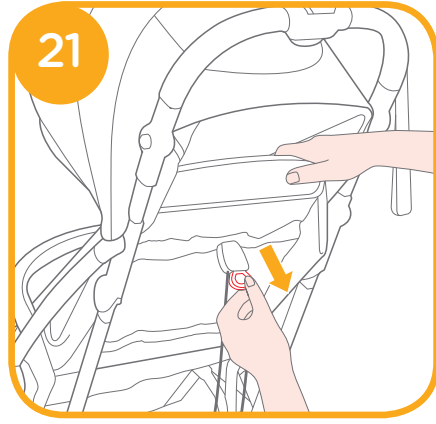
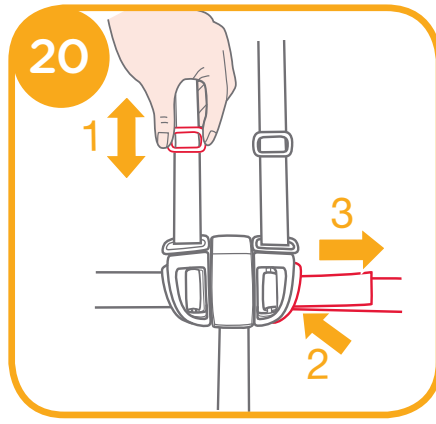
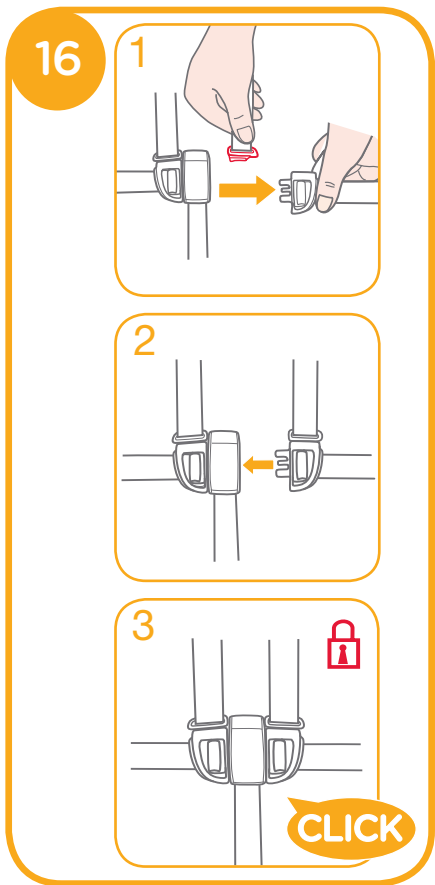
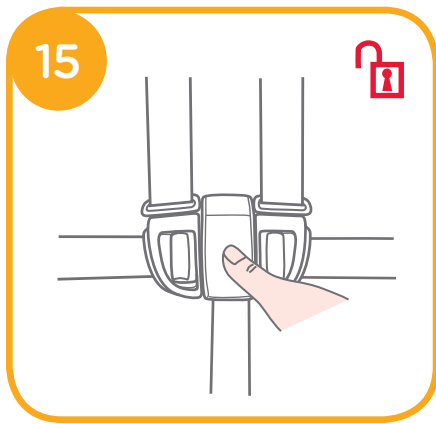
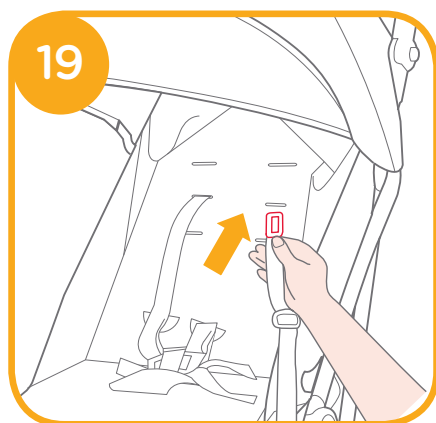
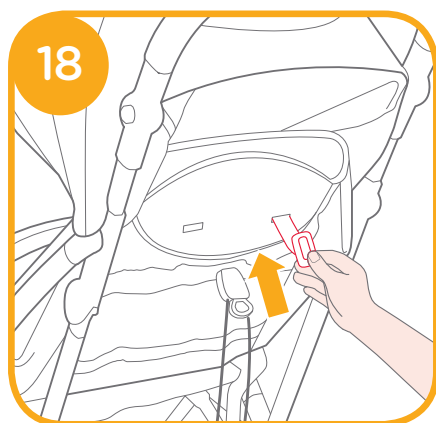
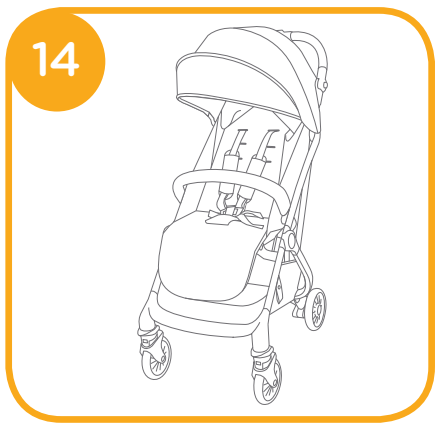
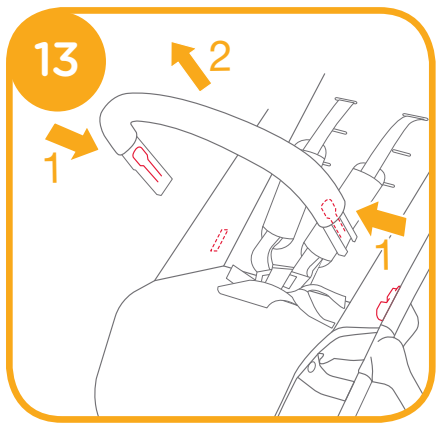
GB Instruction Manual

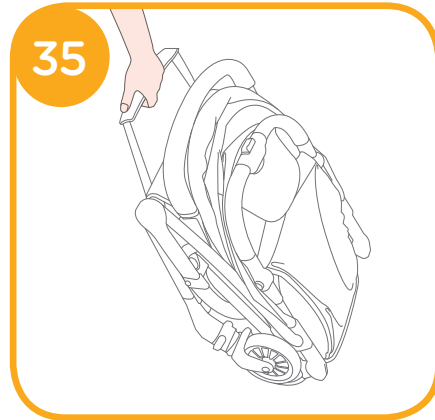
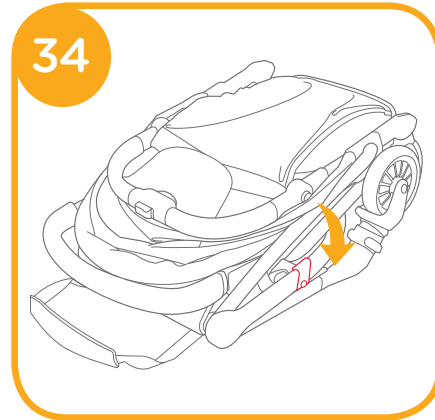
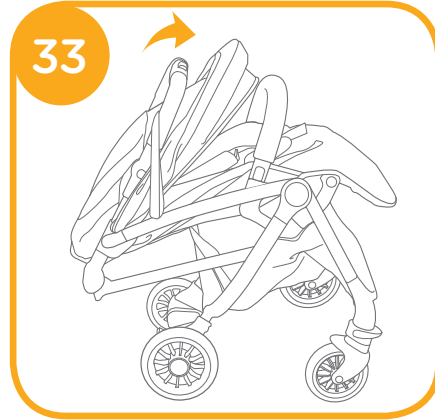
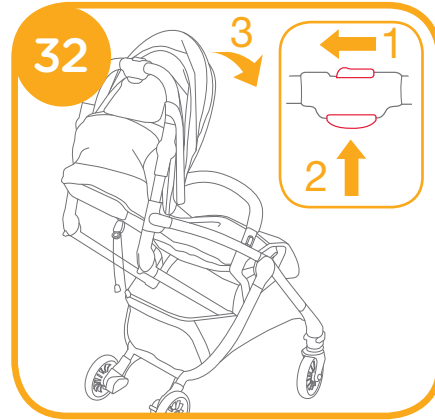
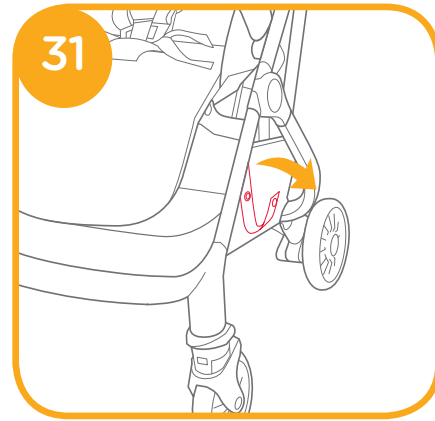
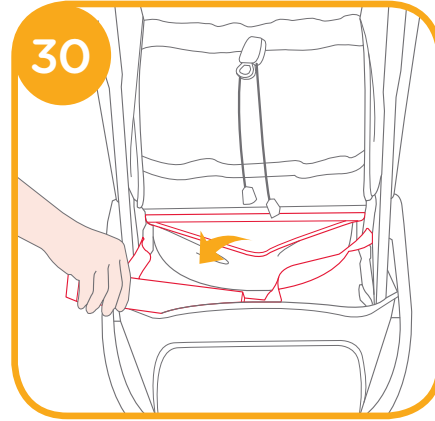
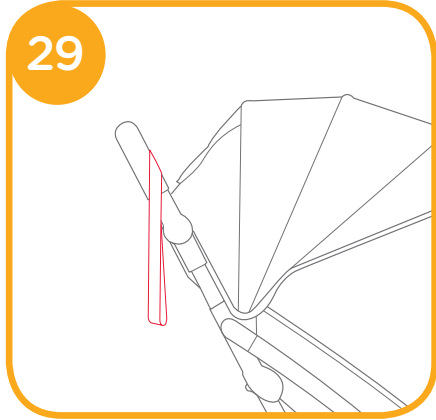
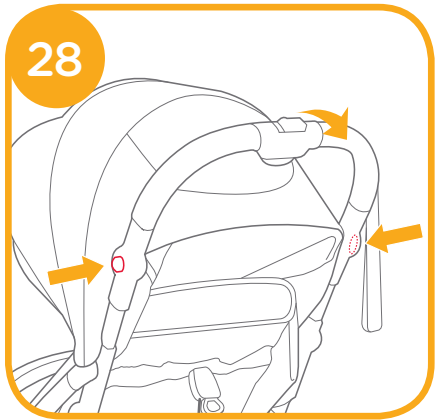
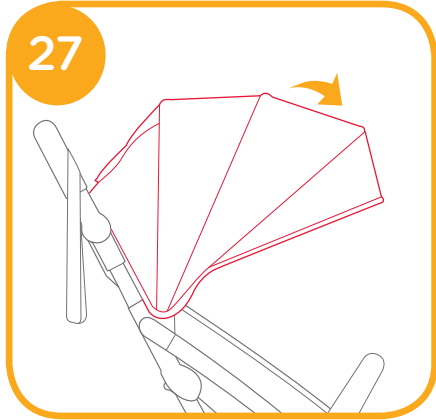
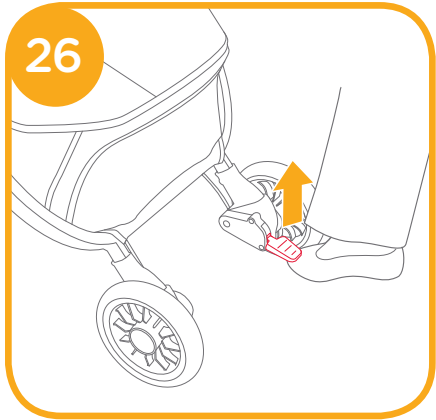
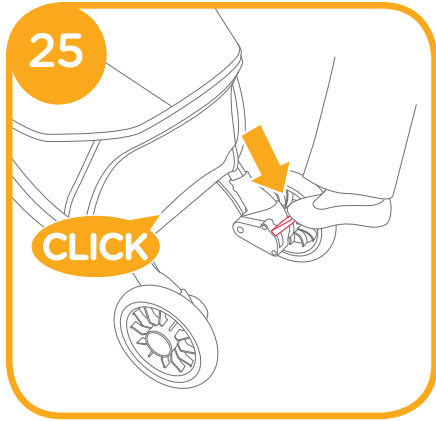
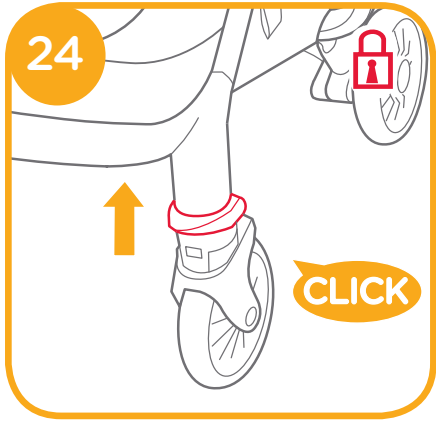


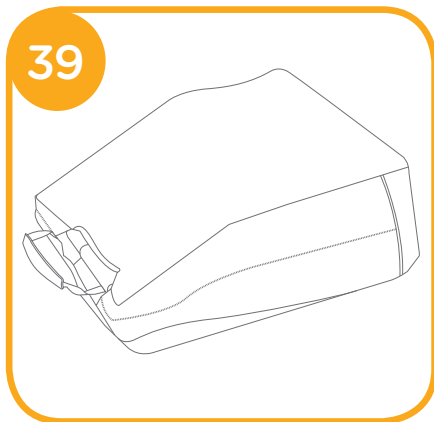
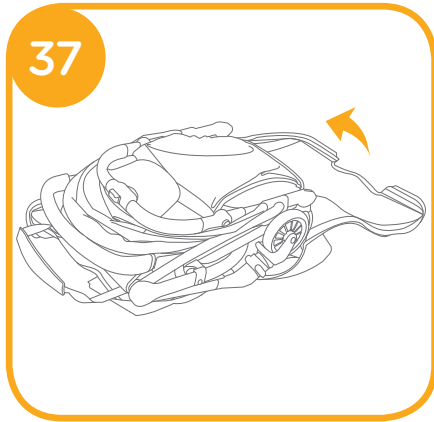
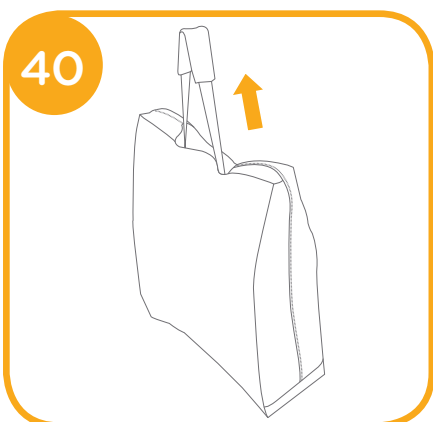
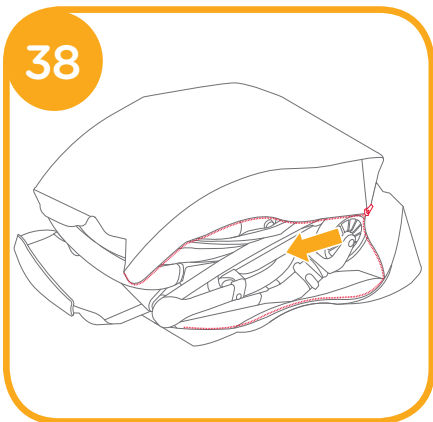
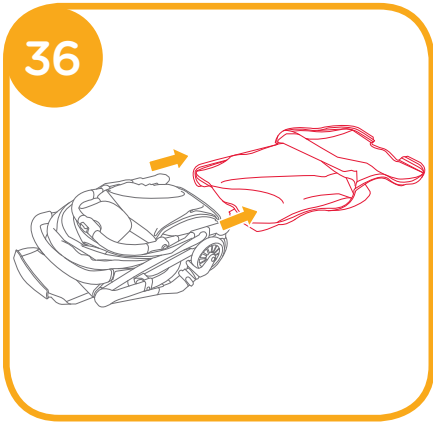
IMPORTANT - READ CAREFULLY AND KEEP FOR FUTURE REFERENCE.

Stroller Assembly

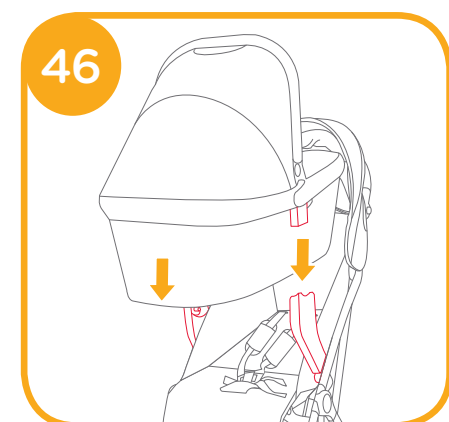
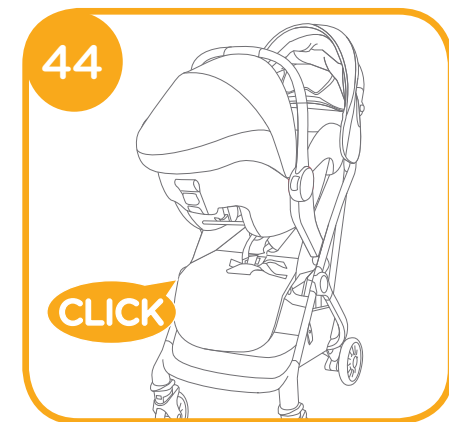
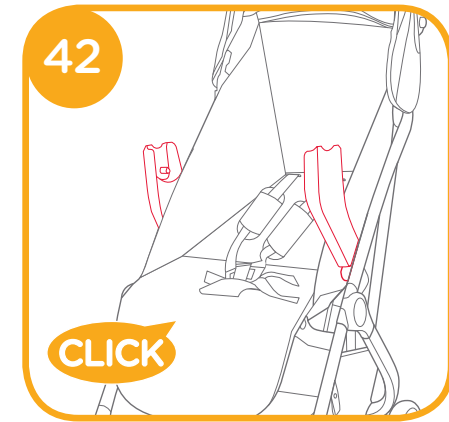
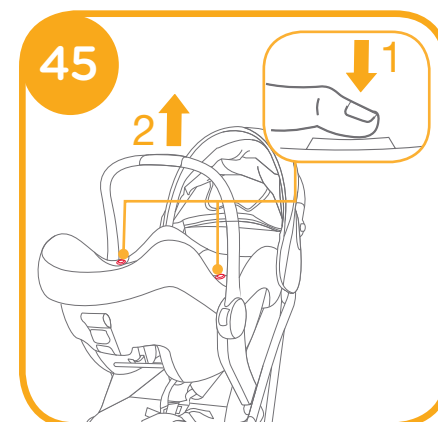
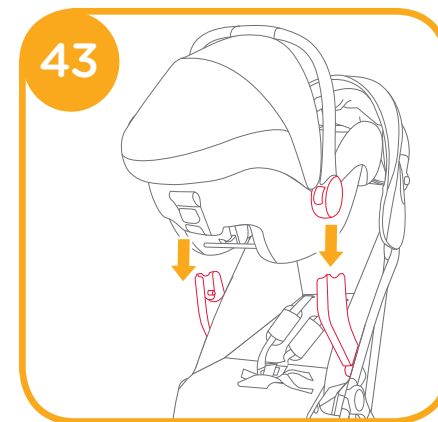
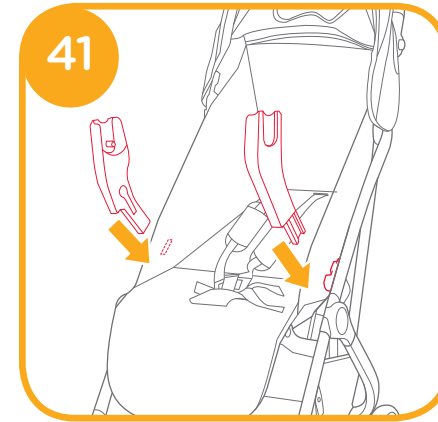


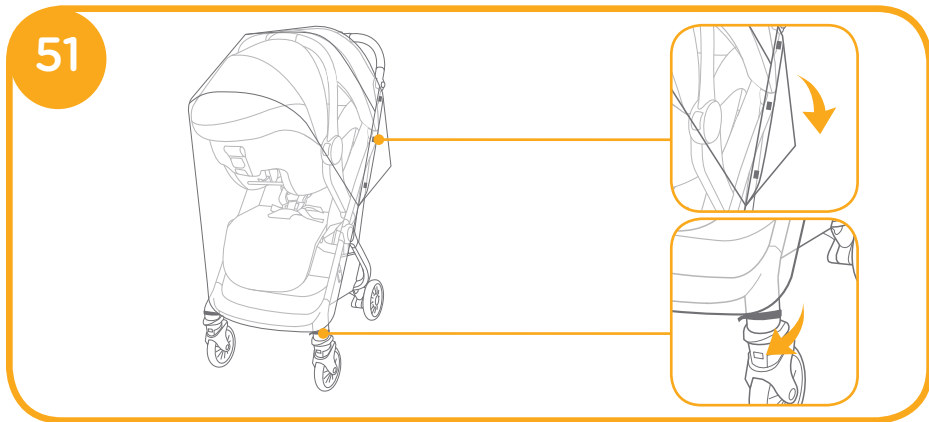
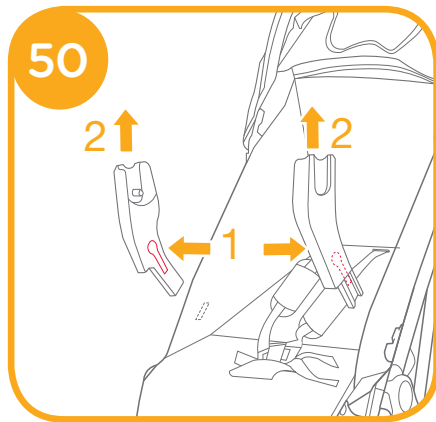
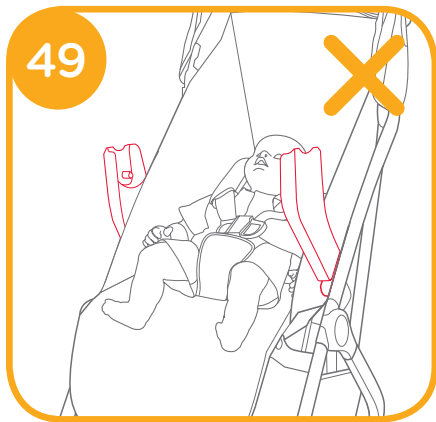
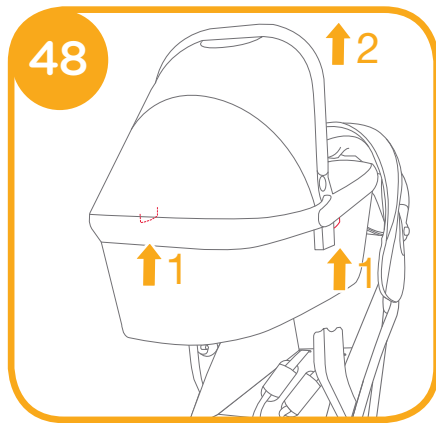
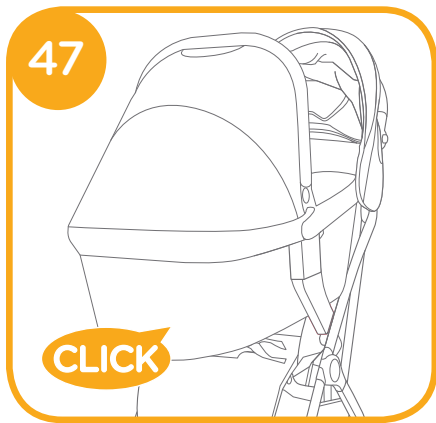




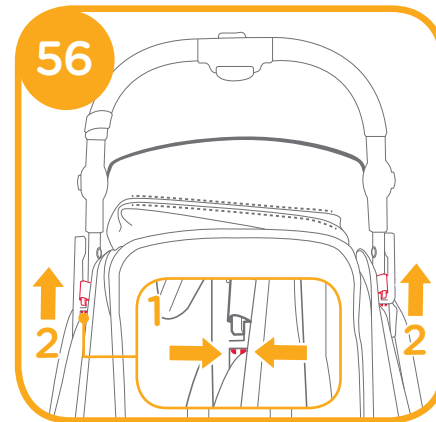
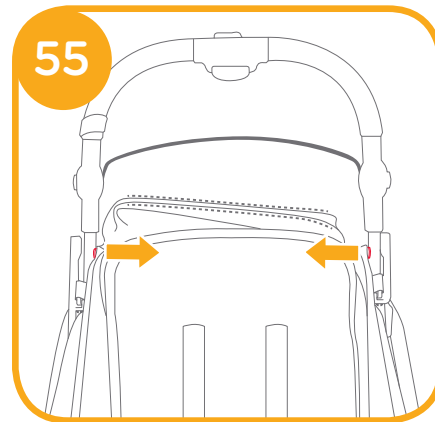
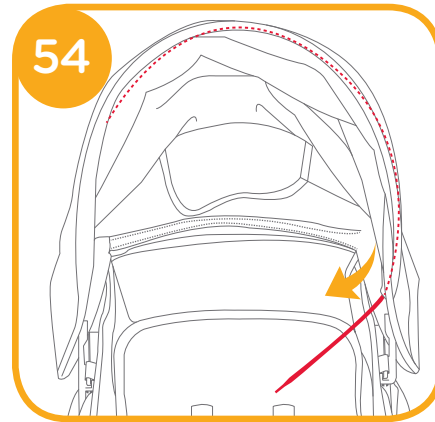
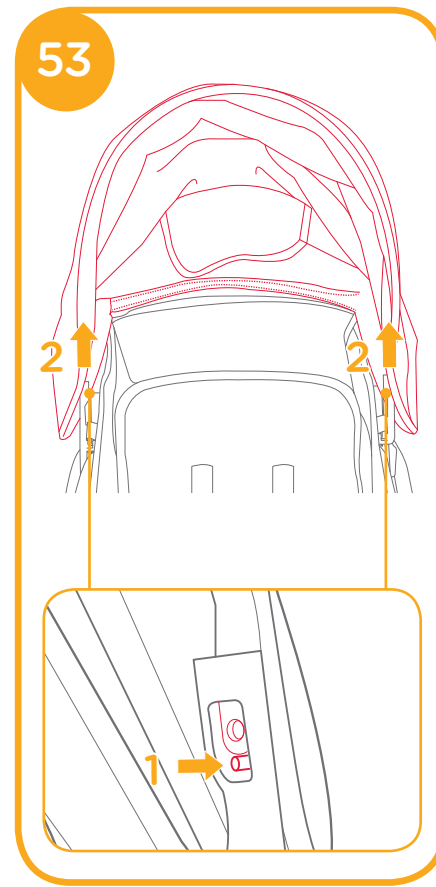
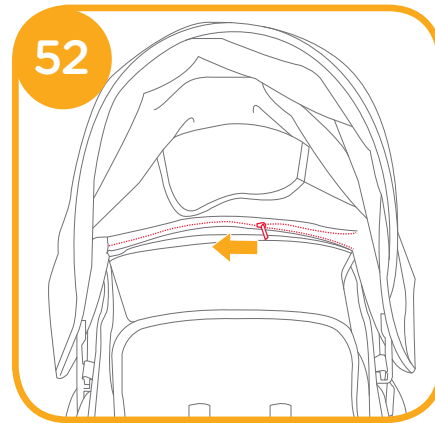


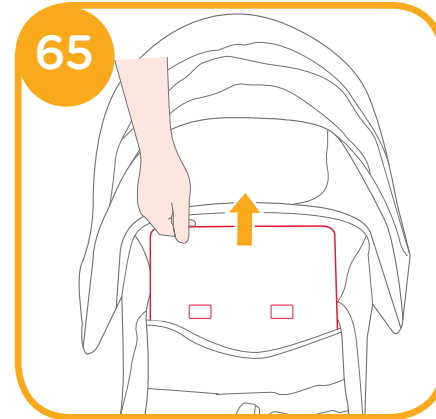
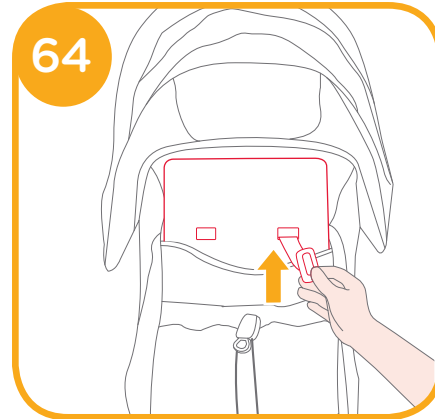
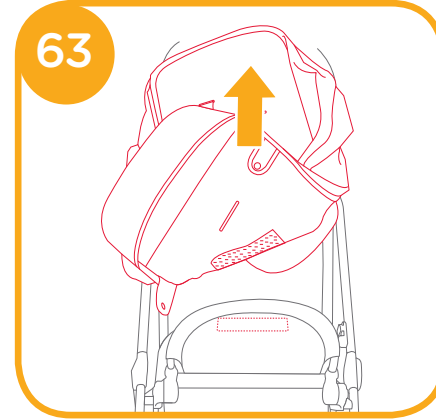
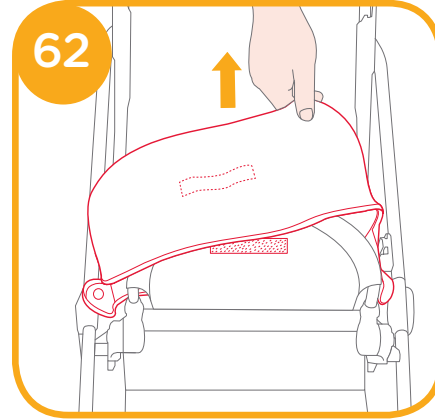
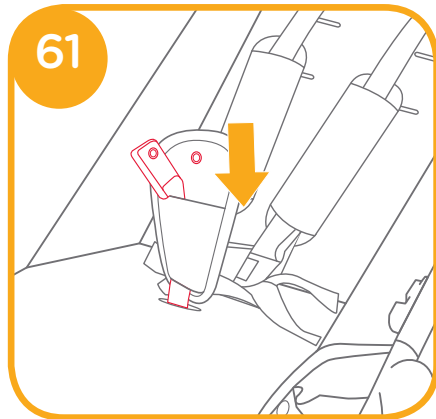
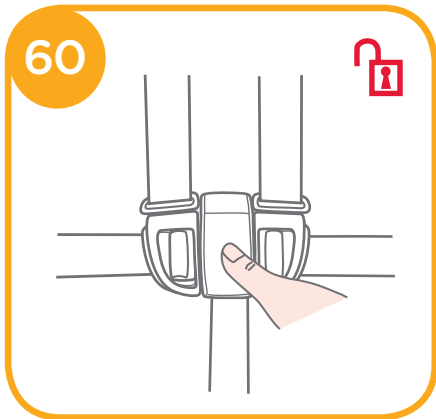
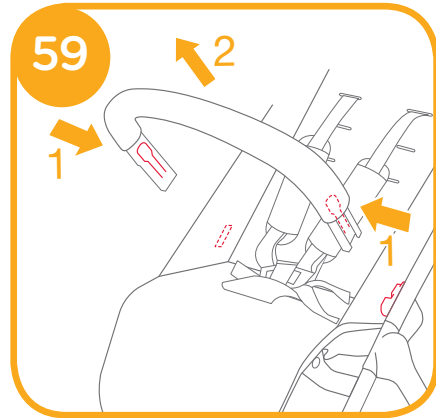
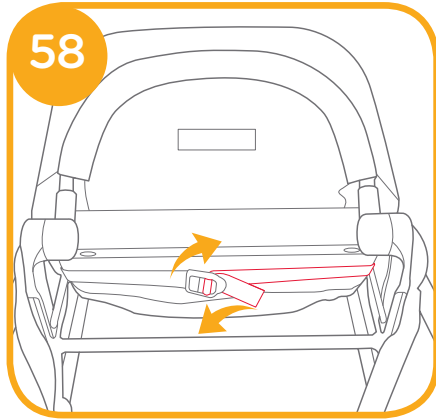
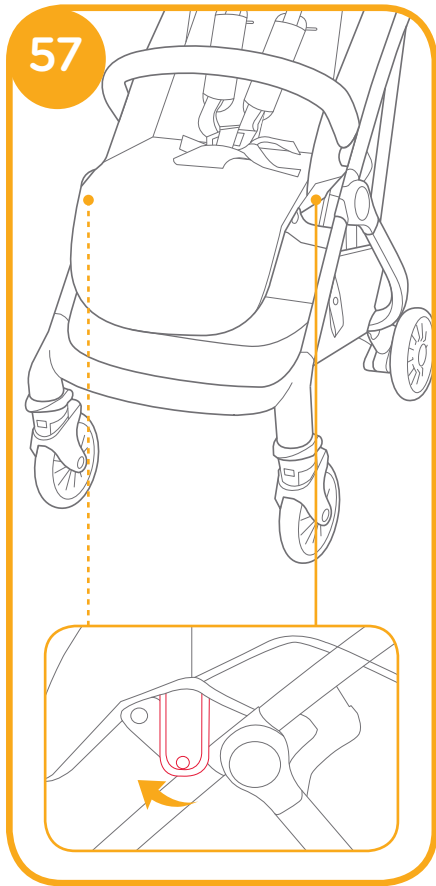
Accessories (May not be included in purchase)
 Accessories may be sold separately or may not be available depending on region.



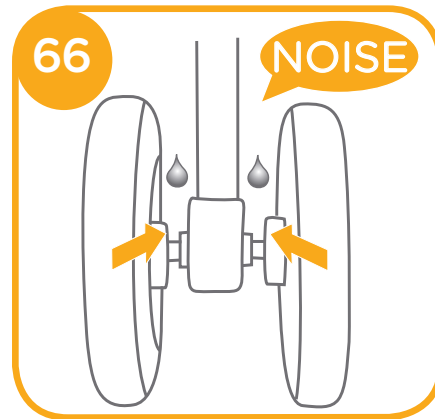


Detach Soft Goods





Care and Maintenance



Welcome to Joie™

Congratulations on becoming part of the Joie family! We are so excited to be part of your journey with your little one. While traveling with the Joie Tourist™, you are using a high quality, fully certified stroller, complies with Australian Trade Practices Act 1974 Consumer Protection Notice No 8 of 2007 and AS NZS 2088:2013. This product is suitable for use with children weighing under 15kg. Please carefully read this manual and follow each step to ensure a comfortable ride and best protection for your child.

Visit us at joiebaby.com to download manuals and see more exciting Joie products!

For warranty information, please visit our website at joiebaby.com

Contents

Figures	1-12
WARNING	17
Stroller Assembly	20
Open Stroller	20
Assemble & Detach Front Wheel	20
Assemble & Detach Rear Wheel	20
Assemble & Detach Armbar	20

Stroller Operation	21
Use Buckle	21
Use Shoulder & Waist Harnesses	21
Adjust Backrest	22
Adjust Calf Support	22
Use Front Swivel Lock	23
Use Brake	23
Use Canopy	23
Use Shoulder Harness Cover and Crotch Harness Cover	23
Adjust Handle	23
Use Tether Strap	24
Fold Stroller	24
Use Accessories	24
Use with Infant Child Restraint or Carry Cot	24
Use Rain Cover	25
Detach Soft Goods	25
Care and Maintenance	26

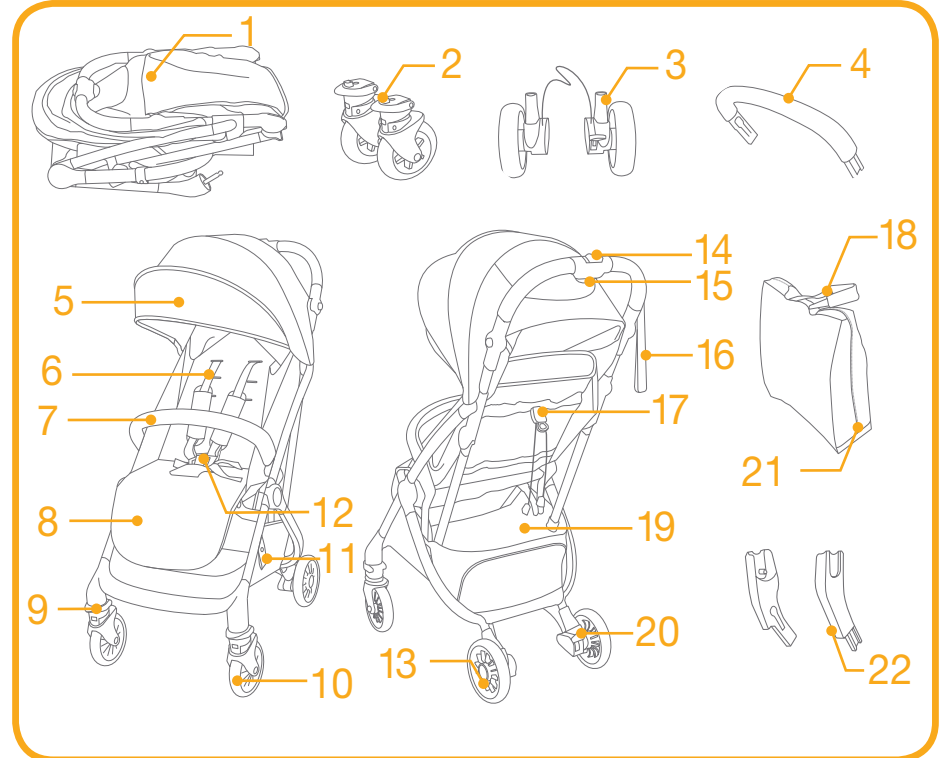
Emergency

In case of emergency or accident, it is most important to have your child taken care of with first aid and medical treatment immediately.

Product Information

Read all the instructions in this manual before using this product. If you have any further questions, please consult the retailer. Some features may vary depending on model.

Product	Tourist Stroller
Suitable for	Child weighing under 15kg (birth - 36 months)
Materials	Plastics, metals, fabrics
Patent No.	Patents pending
Made in	China
Brand Name	Joie
Website	www.joiebaby.com
Manufacturer	Allison Baby UK Ltd.



Parts List

Make sure all parts are available before assembly. If any part is missing, please contact local retailer. No tools are required for assembly.

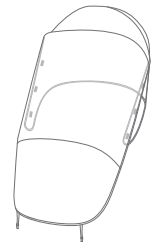
1 Stroller Frame	12 Buckle
2 Front Wheel	13 Rear Wheel
3 Rear Wheel	14 Secondary Lock
4 Armbar	15 One-Hand-Fold Handle
5 Canopy	16 Tether Strap
6 Shoulder Harness	17 Backrest Adjuster
7 Armbar	18 Carry Strap
8 Calf Support	19 Storage Basket
9 Swivel Lock	20 Brake Lever
10 Front Wheel	21 Carry Bag
11 Storage Latch	22 Adapter

Accessories

(May not be included)

Rain Cover

Accessories may be sold separately or may not be available depending on region.



WARNING

- ! **WARNING** Always use the restraint system. Safety belts and restraint systems must be used correctly.
- ! **WARNING** Ensure that all the locking devices are engaged before use.
- ! **WARNING** Do not let your child play with this product.
- ! **WARNING** Check that infant child restraint attachment devices are correctly engaged before use.
- ! Adult assembly required.
- ! Use the stroller with a child weighing less than 15kg. It will cause damage to the stroller with an unfitted child.
- ! To prevent a hazardous, unstable condition, do not place more than 4.5kg in the storage basket.
- ! Never leave your child unattended. Always keep child in view while in stroller.
- ! Use the stroller with only one child at a time. Never place purses, shopping bags, parcels or accessory items on the handle or canopy.
- ! Accessories which are not approved by the manufacturer shall not be used. Only replacement parts supplied or recommended by the manufacturer shall be used.
- ! Never use accessories, parts or components not produced or approved by the manufacturer. Please read the instruction manual carefully.
- ! Please read all the instructions in the manual before using the product. Please save instruction manual for future use. Failure to follow these warnings and instructions may result in serious injury or death.
- ! To avoid serious injury from falling or sliding out, always use seat belt.
- ! **Make sure your child's body is clear from the moving parts when adjusting the stroller.**
- ! Be sure the stroller is fully open or folded before allowing child near the stroller.

- ! Child may slip into leg openings and be strangled if the harness is not used.
- ! Never use stroller on stairs or escalators.
- ! Keep away from high temperature objects, liquids, and electronics.
- ! Never allow your child to stand on the stroller or sit in the stroller with head toward front of stroller.
- ! Never place the stroller on roads, slopes or dangerous areas.
- ! To avoid strangulation, **DO NOT** place items with a string around your child's neck, suspend strings from this product, or attach strings to toys.
- ! Any load attached to the handle and/or on the back of the backrest and/or on the sides of the stroller will affect the stability of the stroller.
- ! **DO NOT** lift stroller while child is in stroller.
- ! **DO NOT** use storage basket as a child carrier.
- ! To prevent tipping, never let child climb the stroller. Always lift the child in and out of the stroller.
- ! To avoid finger entrapment, use care when folding and unfolding the stroller.
- ! To avoid injury, ensure that your child is kept away when unfolding and folding this product.
- ! To ensure your child's safety, please make sure all parts are assembled and fastened properly before using the stroller.
- ! To avoid strangulation, do make sure your child is clear from the canopy or rain cover.
- ! Always engage the brakes when parking the stroller.
- ! Discontinue using stroller if it is damaged or broken.
- ! Stroller to be used only at walking speed. This product is not intended for use while jogging.
- ! To avoid suffocation, remove plastic bag and packaging materials before using this product. The plastic bag and packaging materials should then be kept away from babies and children.

- ! This product is not suitable for running or skating.
- ! Pushchair designed to be used from birth shall recommend the use of the most reclined position for new born babies.
- ! The parking device shall be engaged when placing and removing children.
- ! For infant child restraints used in conjunction with a chassis, this vehicle does not replace a cot or a bed. Should your child need to sleep, then it should be placed in a suitable pram body, cot or bed.
- ! SECURE THE CHILD IN THE HARNESS AT ALL TIMES.
- ! USE THIS HARNESS AT ALL TIMES.
- ! WARNING: TO AVOID INJURY OR DEATH: ALWAYS APPLY THE BRAKES WHENEVER THE STROLLER IS STATIONARY.
- ! DO NOT LEAVE CHILDREN UNATTENDED.
- ! DO NOT CARRY EXTRA CHILDREN OR BAGS ON THIS STROLLER.
- ! MAKE SURE CHILDREN ARE CLEAR OF ANY MOVING PARTS IF YOU ADJUST THE STROLLER.
- ! USE THIS STRAP TO STOP THE STROLLER ROLLING AWAY.
- ! NEVER LEAVE THE HARNESS BUCKLED WHEN NOT FITTED TO A CHILD IN THE STROLLER BECAUSE THE HARNESS CAN FORM LOOPS WHICH MAY POSE A STRANGULATION HAZARD.
- ! THE PRODUCT NOT BE USED NEAR AN OPEN FIRE OR EXPOSED FLAME.
- ! THE STROLLER IS DESIGNED FOR USE ON FLAT OR GENTLY SLOPING SURFACES AND MAY BE UNSTABLE ON HIGHER SLOPING AND UNEVEN SURFACES, AND USERS SHOULD BE MADE AWARE OF THE POSSIBILITY OF THE STROLLER TIPPING OVER.
- ! PLEASE TRANSPORT THE FOLDED STROLLER SAFELY.
- ! MAKE SURE THAT THE STORAGE LATCH IS LOCKED WHEN LIFTING OR MOVING THE UNIT.

Stroller Assembly

(Please refer to figures on page 1-12)

Please read all the instructions in this manual before assembling and using this product.

Open Stroller

see images ① - ④

Open the storage latch first, then open the stroller. ①

! Check that the stroller is completely latched before continuing to use.

Assemble & Detach Front Wheel

see images ⑤ - ⑥

Assemble & Detach Rear Wheel

see images ⑦ - ⑩

! The rear wheels can be disassembled by pressing the snap buttons. ⑨

! Wrap the storage basket around frame and brake axle, and then snap into place. ⑩

Assemble & Detach Armbar

see images ⑪ - ⑬

The completely assembled stroller is shown as ⑭

Stroller Operation

Use Buckle

see images 15 - 16

Release Buckle

Press the center button to release the buckle. 15

Lock Buckle

Match the waist belt buckle with the shoulder buckle 16 - 1, and click into the center buckle. 16 - 2 A "click" sound means the buckle is locked completely. 16 - 3

! To avoid serious injury from falling or sliding out, always secure your child with harness.

! Make sure your child is snugly secured. The space between the child and the shoulder harness is about the thickness of one hand.

! Do not cross the shoulder belts. This will cause pressure on a child's neck.

Use Shoulder & Waist Harnesses

see images 17 - 20

! In order to protect your child from falling out, after your child is placed into the seat, check whether the shoulder and waist harnesses are at proper height and length.

17 - 1 Shoulder harness anchor A

17 - 2 Shoulder harness anchor B

17 - 3 Slide adjuster

For larger child, use shoulder harness anchor A and the highest shoulder slots.

For smaller child, use shoulder harness anchor B and the lowest shoulder slots.

To adjust the position of the shoulder harness anchor, turn the anchor to be level with the side facing forward. Thread it through the shoulder harness slot from back to front. 18 Rethread it through the slot that is closest to child's shoulder height. 19

Use slide adjuster to change the harness length. 20 - 1

Press the button 20 - 2, while pulling the waist harness to proper length. 20 - 3

Adjust Backrest

see images 21 - 22

Recline Backrest

Pull tab to recline backrest. 21

! Hold the backrest with the other hand if a child is already seated in the stroller.

Raise Backrest

Hold both left and right strings and push up the angle adjuster to raise backrest. 22

! Make sure the recline is set properly for use.

Adjust Calf Support

see images 23

The calf support has 2 positions.

Raise Calf Support

To raise the calf support, just push it upwards. A "click" sound means the calf is locked completely.

Lower Calf Support

Press the adjustment buttons on both sides of the calf support 23 - 1, and rotate the calf support downwards. 23 - 2

Use Front Swivel Lock

see images 24

Push up the front swivel locks to maintain the moving direction. 24

Tip It is recommended to use swivel locks on uneven surfaces.

Use Brake

see images 25 - 26

To lock wheels, step the brake lever downwards. 25

To release wheels, just lift the brake lever upwards. 26

Tip Always set the parking brake when stroller is not moving.

Use Canopy

see images 27

The canopy can be opened or folded, pull it toward front or back. 27

Use Shoulder Harness Cover and Crotch Harness Cover

The shoulder harness cover or crotch harness cover can be removed from the webbing. To assemble shoulder harness cover and crotch harness cover in reverse steps.

Adjust Handle

see images 28

Handle can be adjusted to 3 positions.

To adjust the handle, press the left and right handle adjustment buttons at the same time, and rotate the handle to a desirable position.

Use Tether Strap

see images 29

Use the tether strap to prevent the stroller inadvertently rolling away. Check that when your hand is through the loop, it allows you to easily control the stroller.

Fold Stroller

see images 30 - 40

! Please fold the canopy before folding the stroller.

Open the storage latch. 31

Push secondary lock 32 - 1 and squeeze one-hand-fold button 32 - 2. Push the stroller forward to fold.

Through the storage latch across the front and rear legs, then lock the buckle. 34

! You can lift the strap to transport the unit safely after folding the stroller. 35

! Grab the carry bag, the stroller will follow you. 40

Use Accessories

Accessories may be sold separately or may not be available depending on region.

Use with Infant Child Restraint or Carry Cot

see images 41 - 50

When using with Joie child restraint i-Level, i-Snug, gemm, i-Gemm or Ramble, please refer to the following instructions.

! If you have any problems about using the infant child restraint or carry cot, please refer to their own instruction manuals.

! Please do not fold the stroller when the infant child restraint or carry cot is still attached.

Use Rain Cover

see images 51

To assemble the rain cover, place it over the stroller, and then attach the seaps and hook and loop fasteners on the rain cover.

- ! Before using the rain cover, please make sure the backrest has been adjusted to the lowest position and the infant child restraint has been fastened.
- ! When using the rain cover, please always check its ventilation.
- ! When not in use, please check that the rain cover has been cleaned and dried before folding.
- ! Do not fold the stroller after assembling the rain cover.
- ! Do not place your child into the stroller assembled with rain cover during hot weather.

Detach Soft Goods

see images 52 - 65

1. Follow steps 52 - 65 to detach soft goods.
 - ! Please keep the canopy wire well after removing it, and must assemble the canopy wire while assembling the canopy.
2. To re-attach the soft goods please repeat the above steps in the reverse step.

Care and Maintenance

see images 66

- ! Removable seat pad may be washed in cold water and drip-dried. No bleach. Please refer to the care label for instructions on cleaning the fabric parts of the stroller.
- ! To clean stroller frame, use only household soap and warm water. No bleach or detergent. Periodically wipe clean plastic parts with a soft damp cloth. Always dry the metal parts to prevent the formation of rust if the stroller has come into contact with water.
- ! From time to time, check your stroller for loose screws, worn parts, torn material or stitching. Replace or repair the parts as needed.
- ! Excessive exposure to sun or heat could cause fading or warping of parts.
- ! If stroller becomes wet, open hood and allow to dry thoroughly before storing.
- ! If wheels squeak, use a light oil (e.g., Silicon Spray, antirust oil, or sewing machine oil). It is important to get the oil into the axle and wheel assembly. 66
- ! When using your stroller at the beach, completely clean your stroller after use to remove sand and salt from mechanisms and wheel assemblies.



Allison Baby UK Ltd.,
Venture Point, Towers Business Park
Rugeley, Staffordshire, WS15 1UZ

bring the kids™

Share the joy at joiebaby.com

IM-000090A