

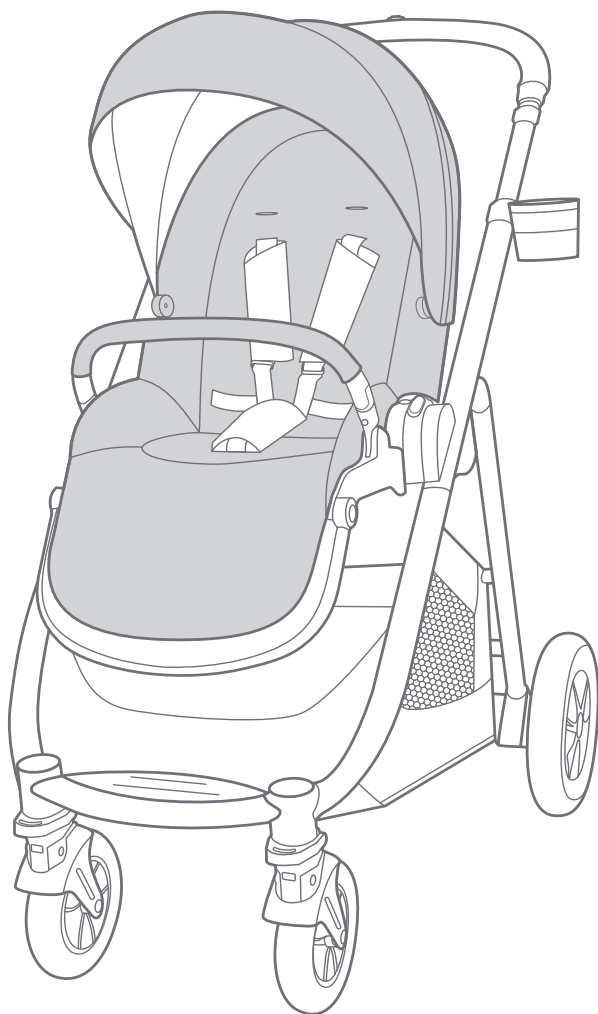
Joie™

birth to 22kg/(birth - 48 months)

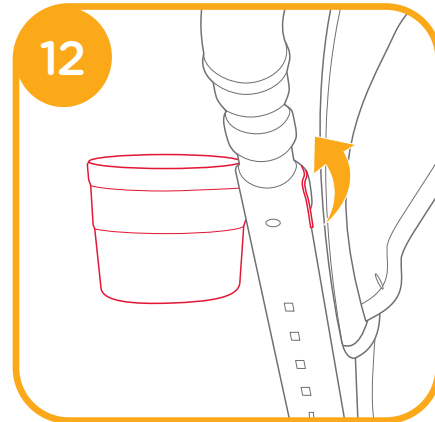
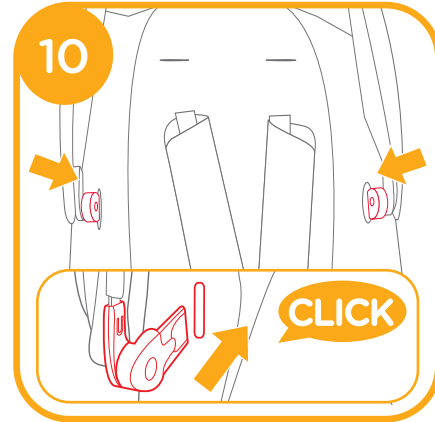
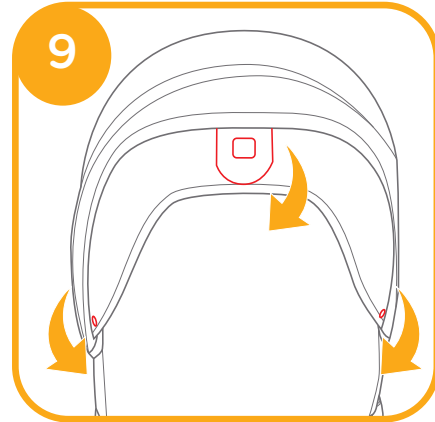
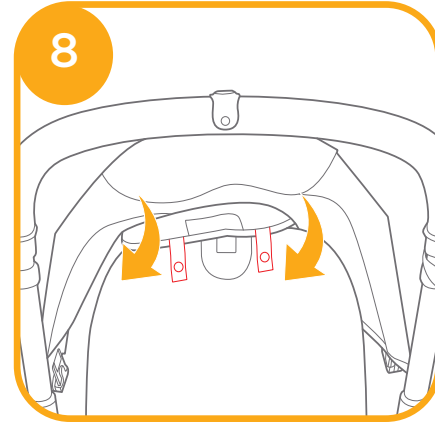
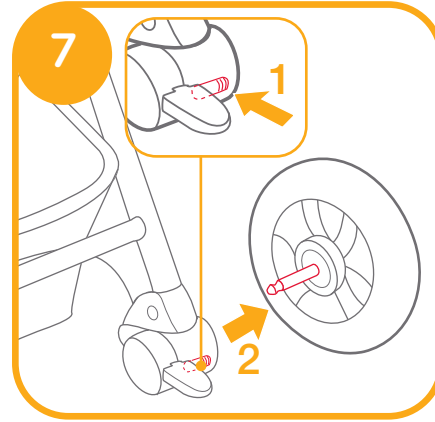
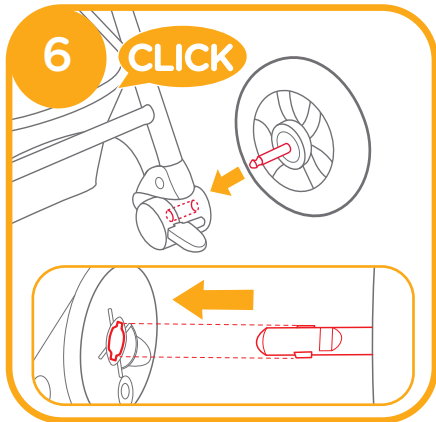
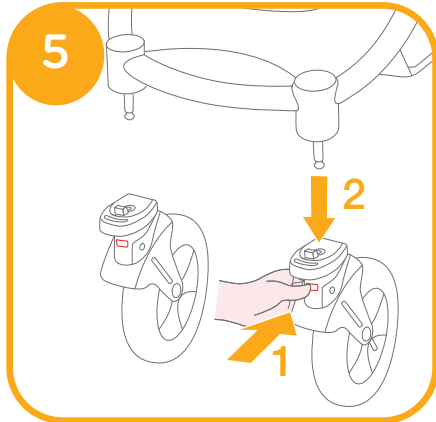
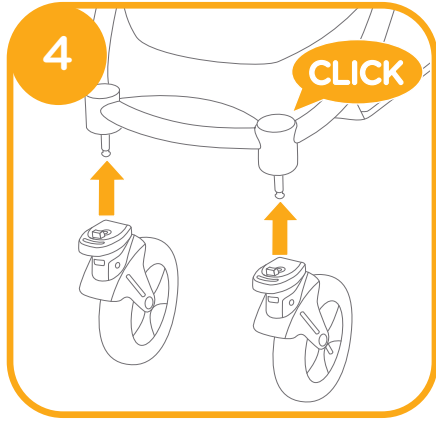
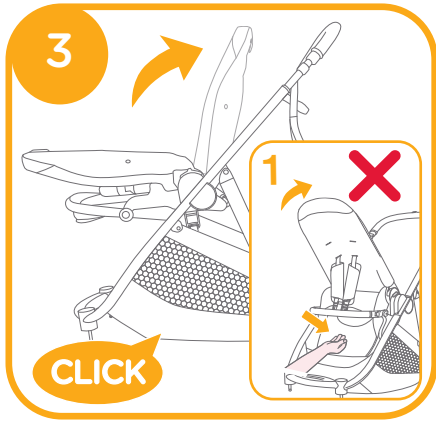
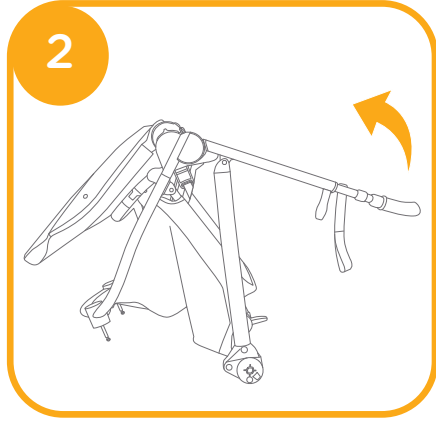
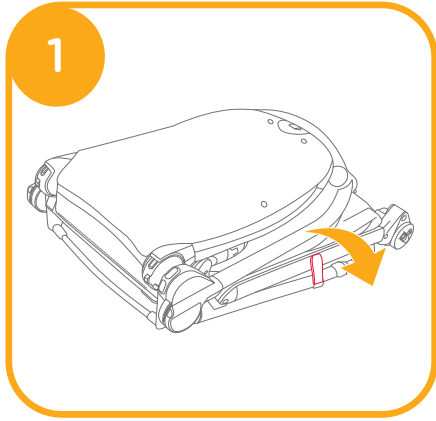
versatrax™

stroller

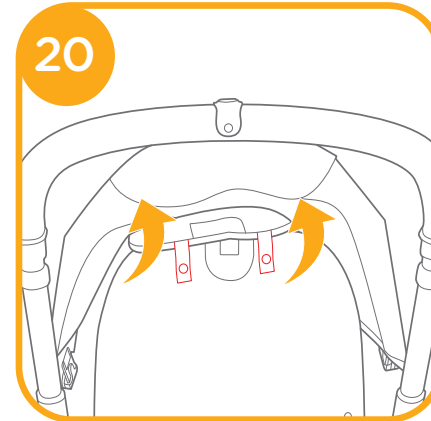
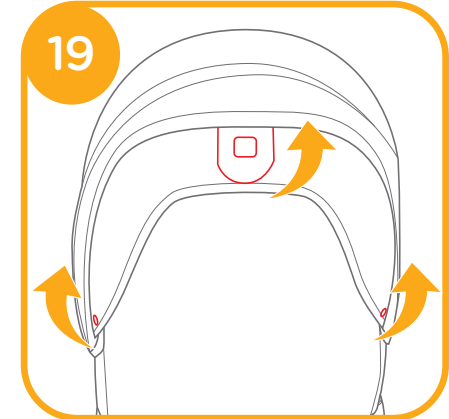
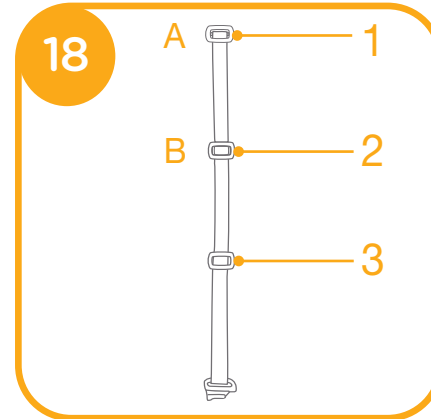
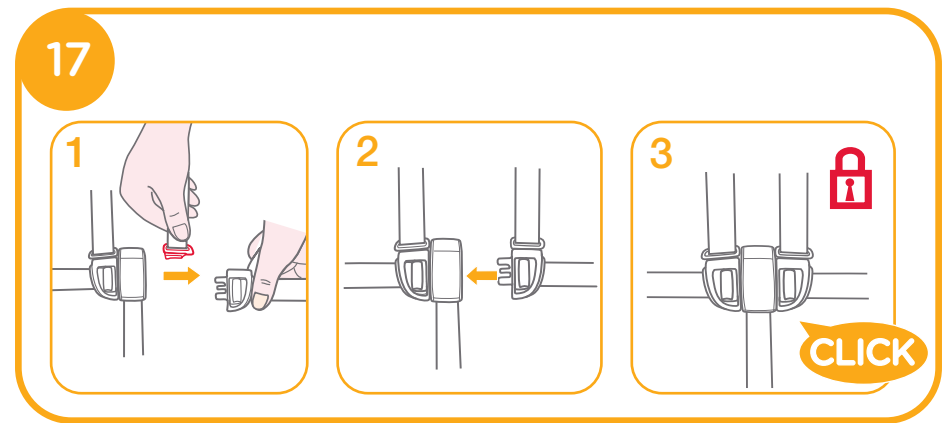
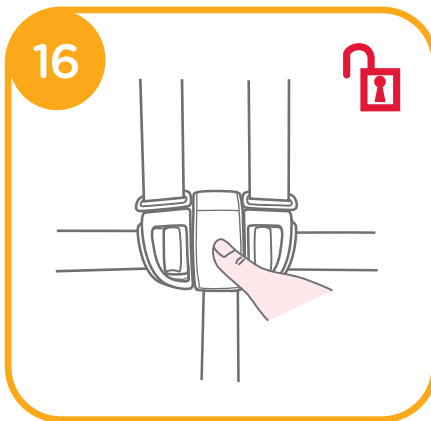
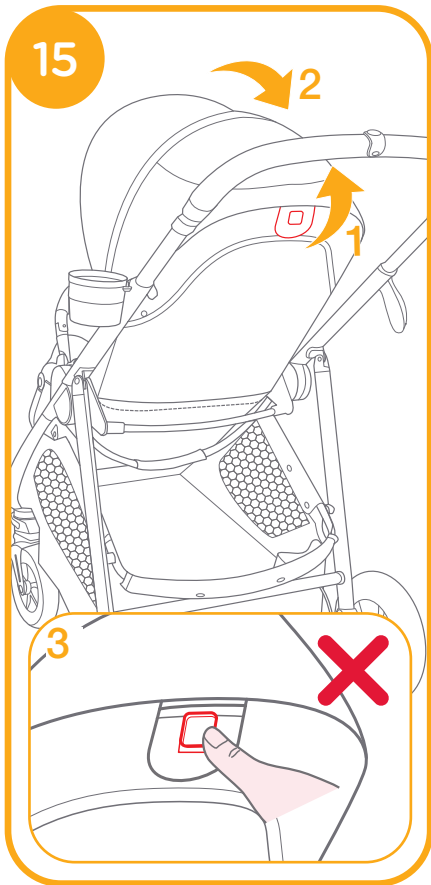
GB Instruction Manual

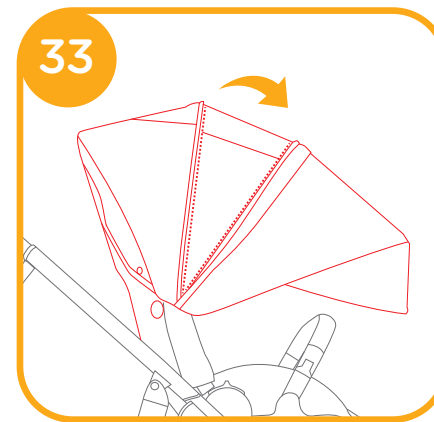
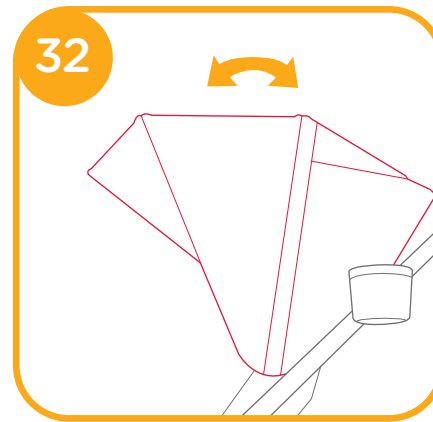
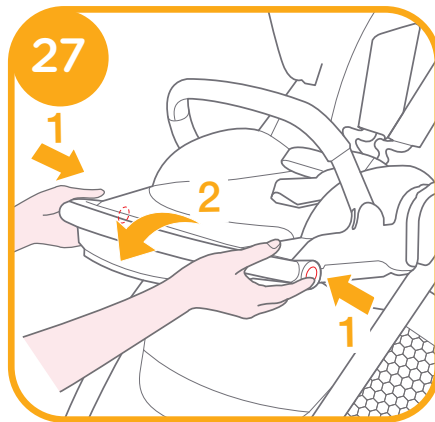
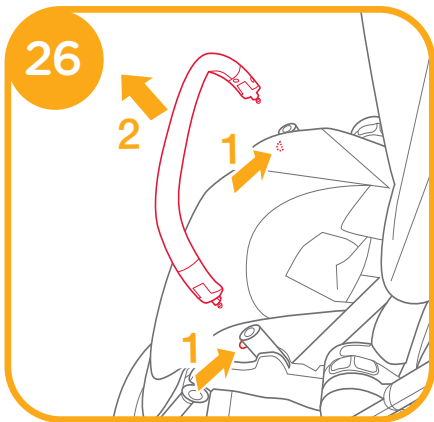
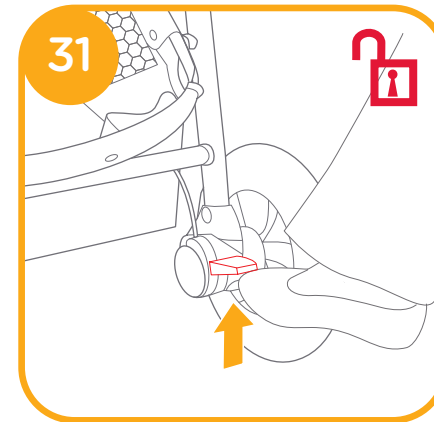
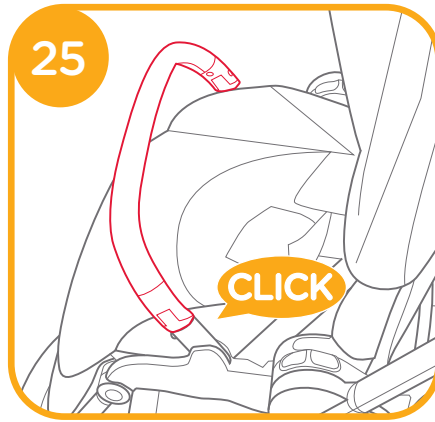
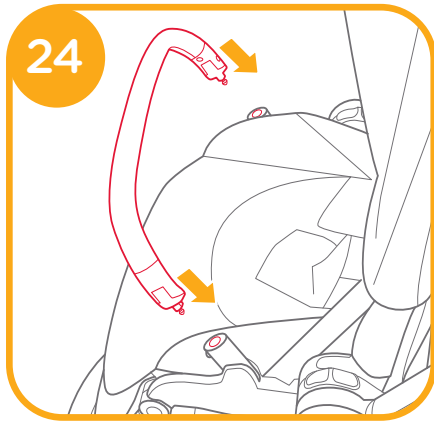
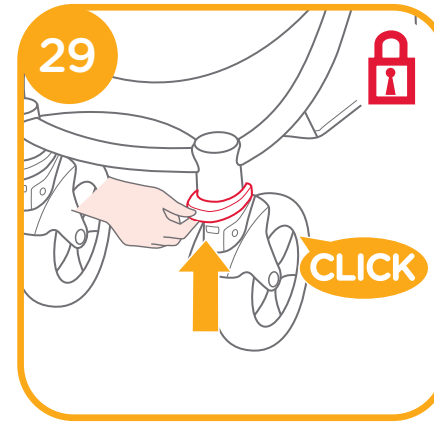
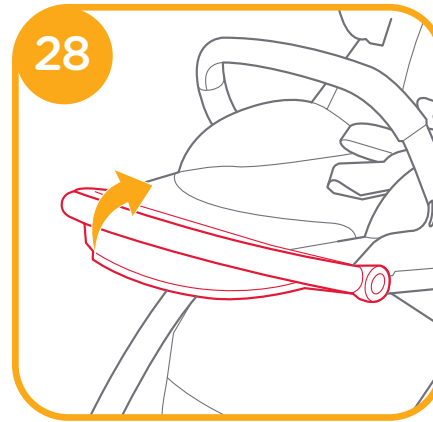
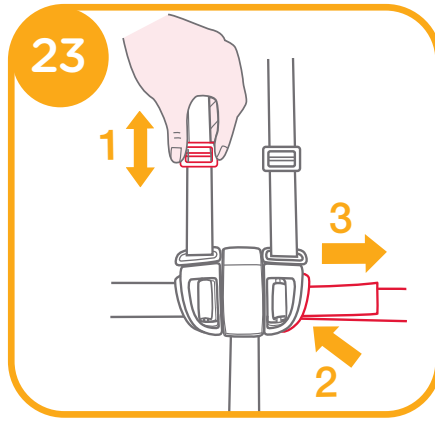
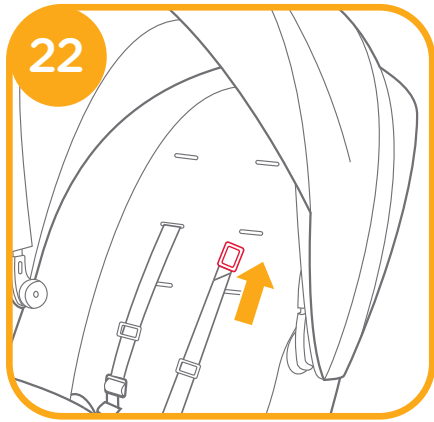


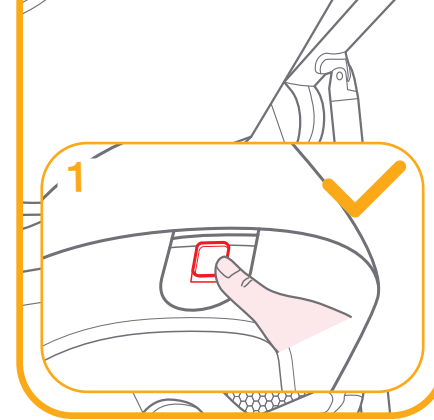
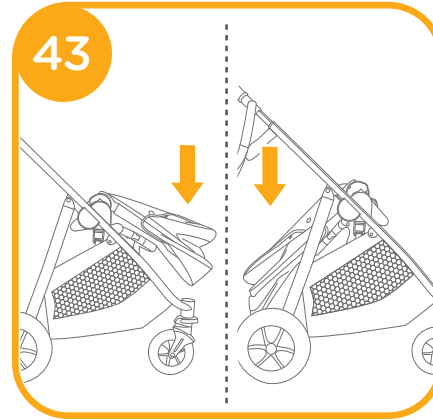
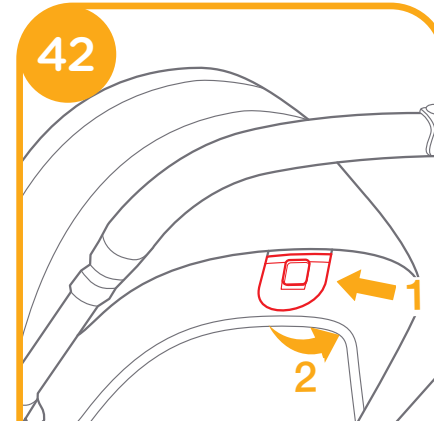
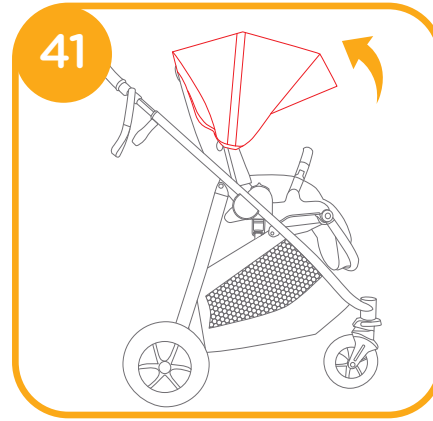
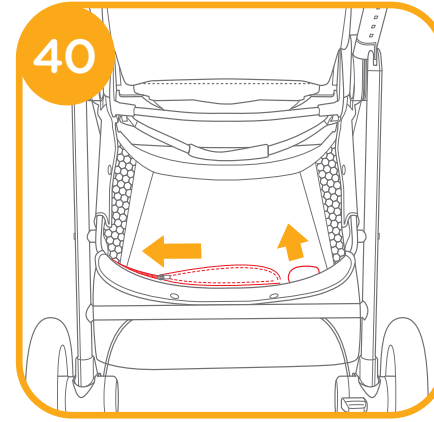
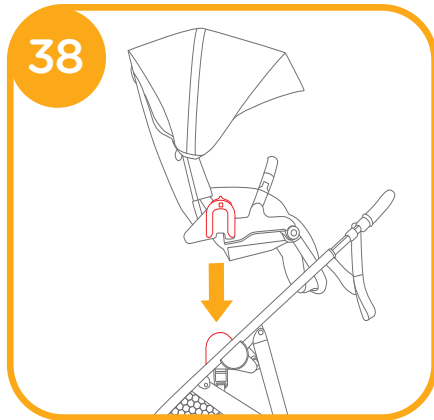
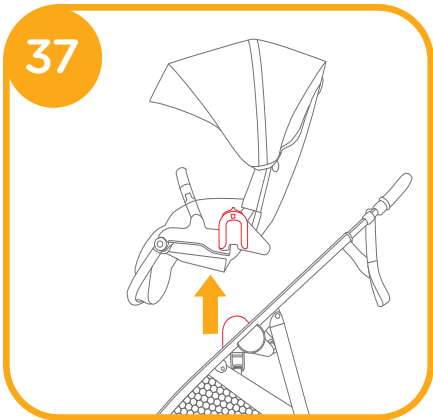
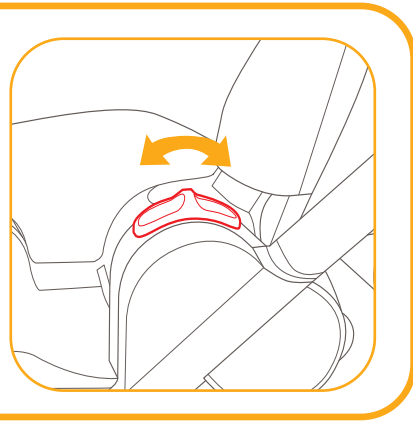
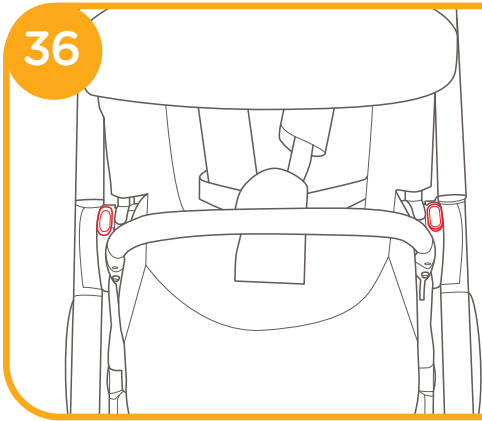
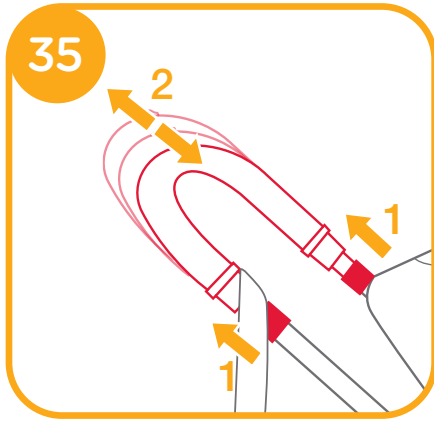
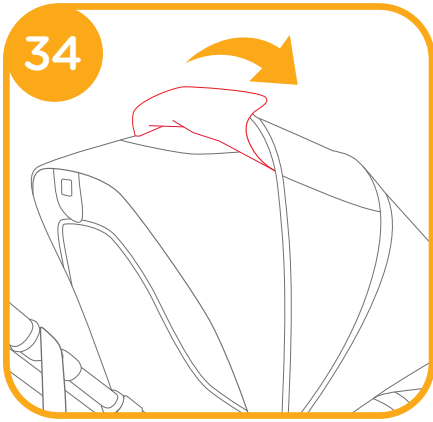
IMPORTANT - READ CAREFULLY AND KEEP FOR FUTURE REFERENCE. Stroller Assembly

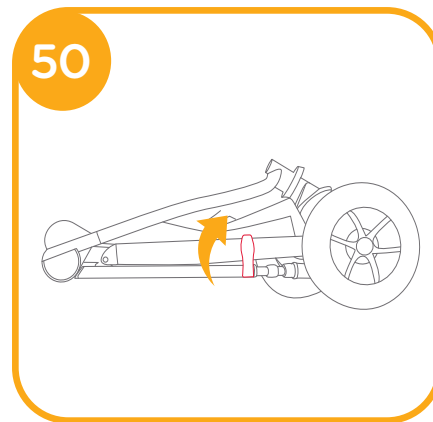
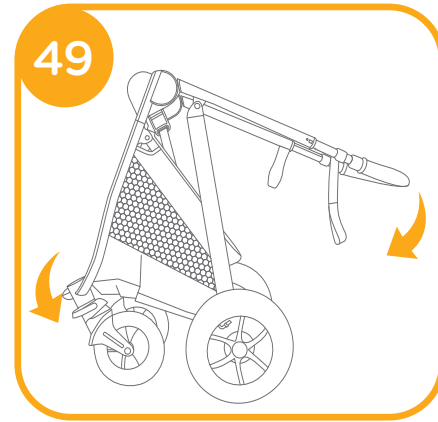
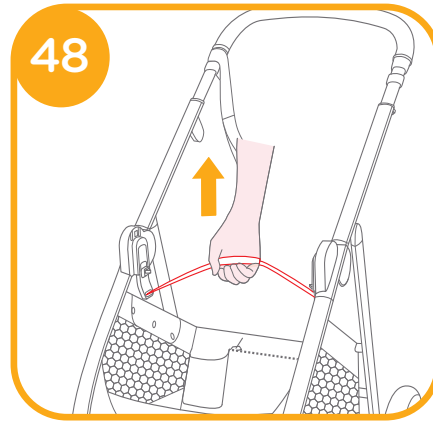
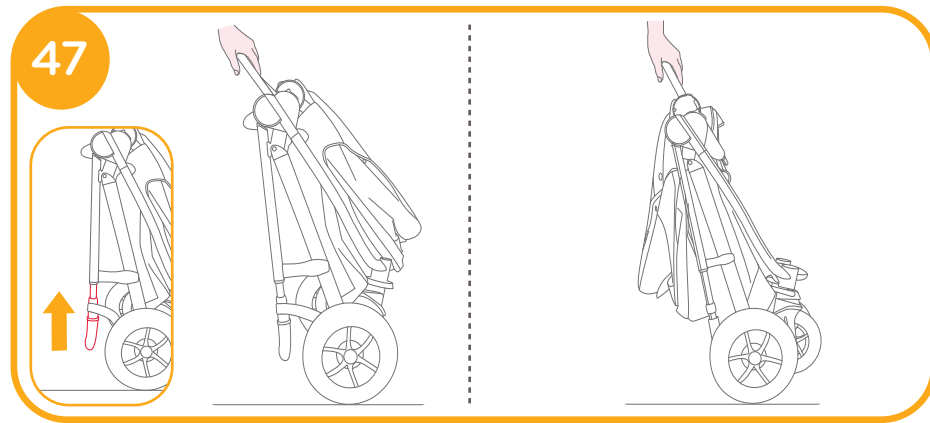
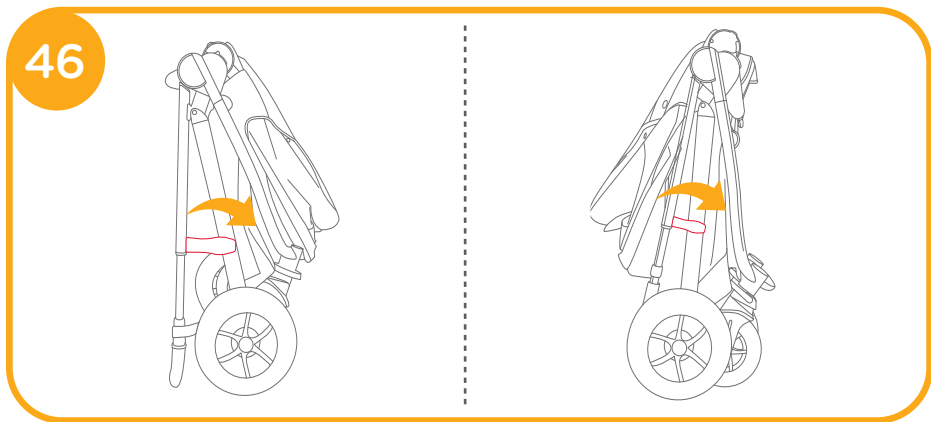
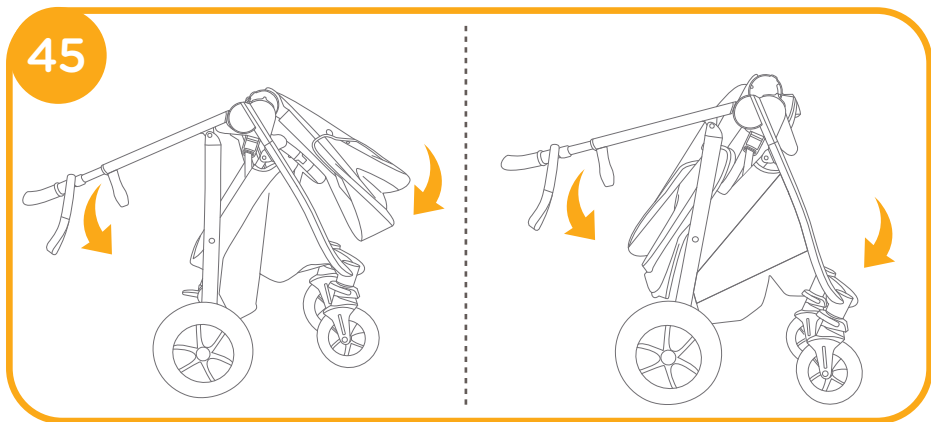
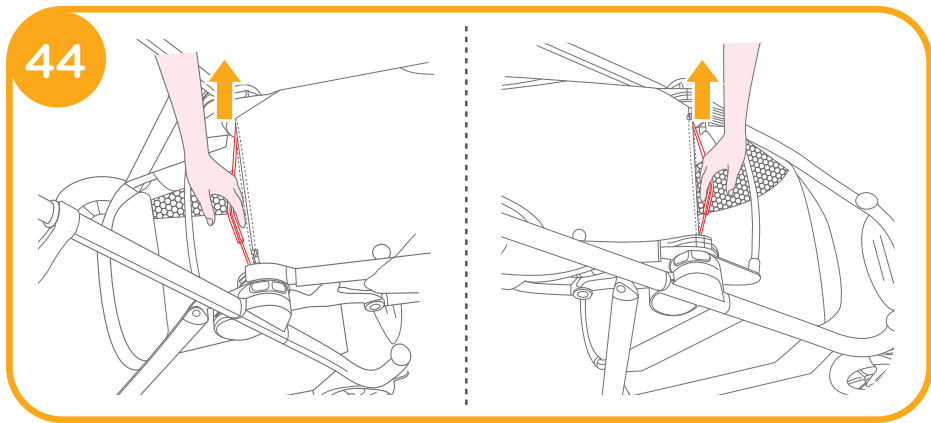


Stroller Operation



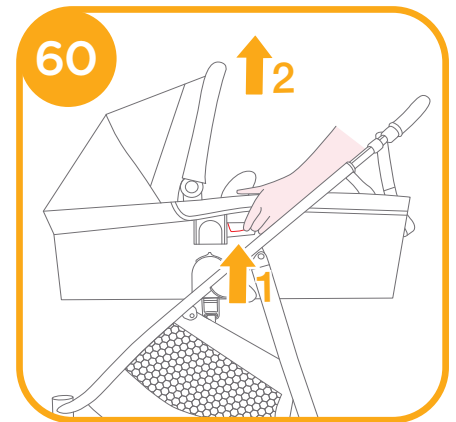
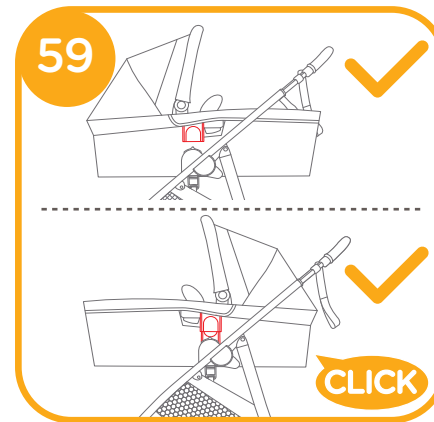
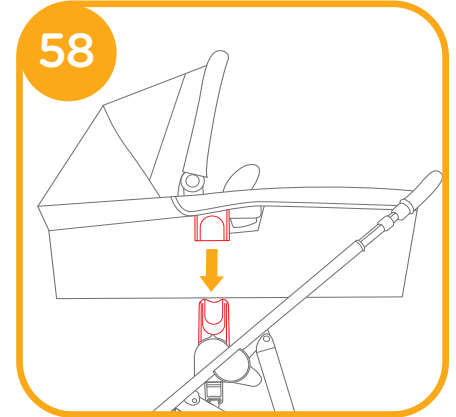
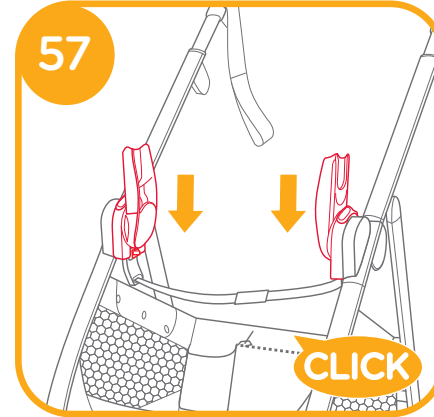
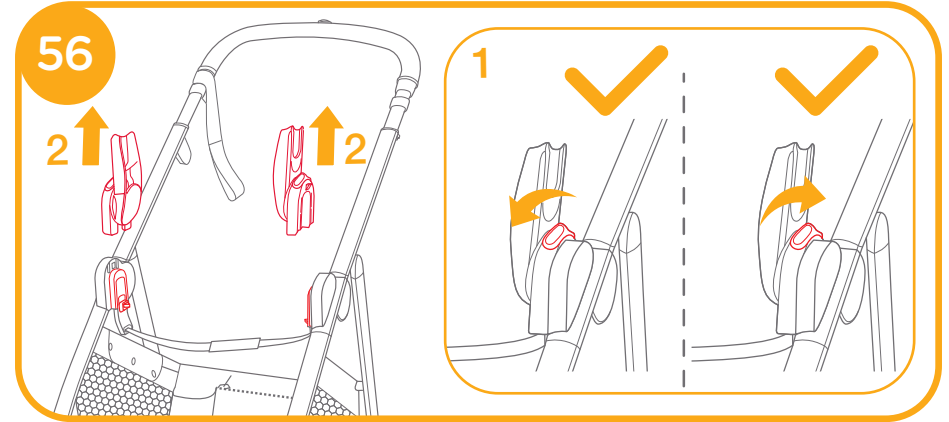
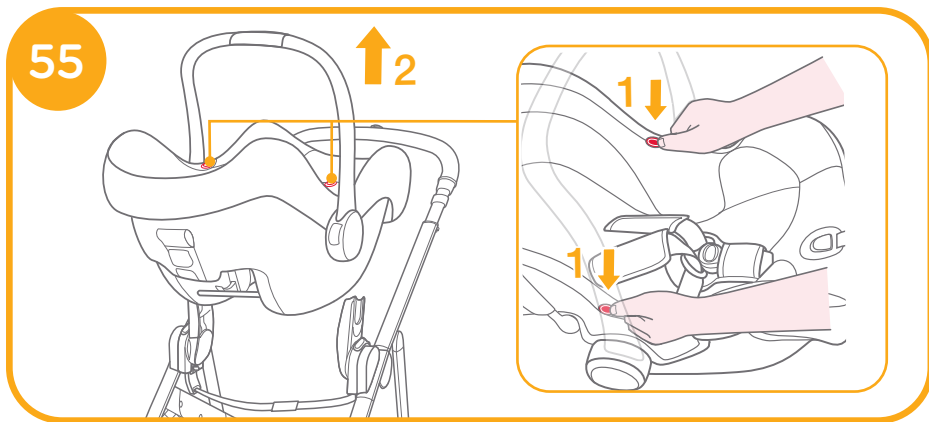
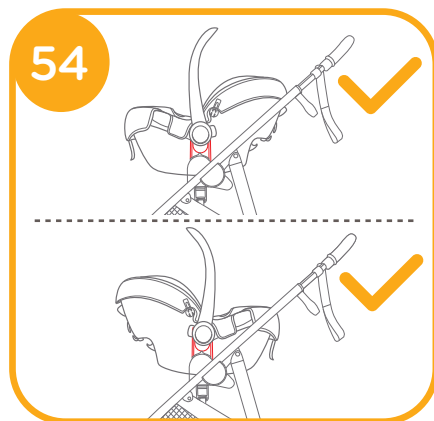
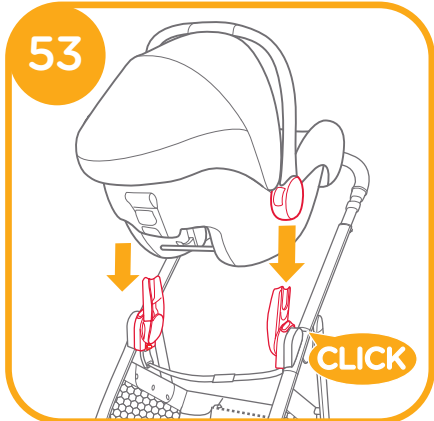
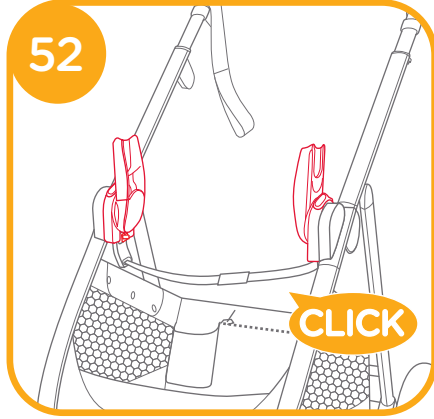
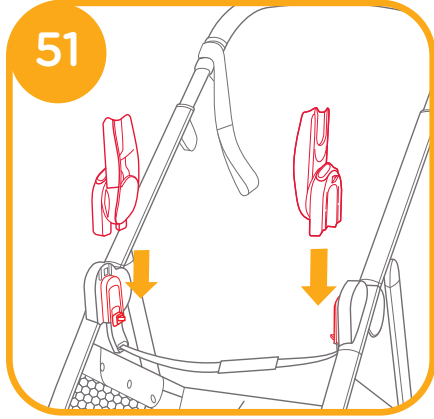


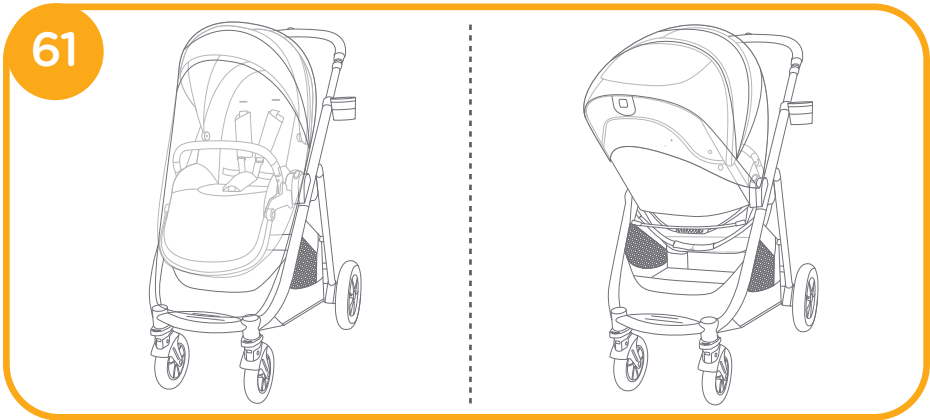




Accessories (May not be included in purchase)

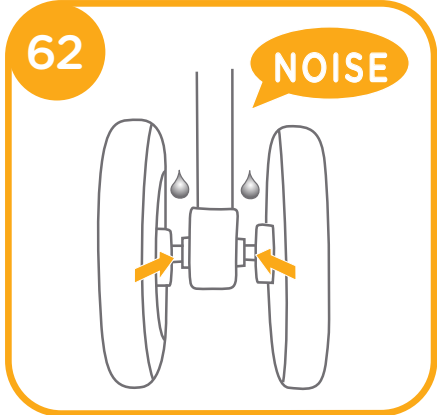
Accessories may be sold separately or may not be available depending on region.





NOTE

Care and Maintenance



GB Welcome to Joie™

Congratulations on becoming part of the Joie family! We are so excited to be part of your journey with your little one. While traveling with the Joie Versatrax™, you are using a high quality, fully certified stroller, complies with Australian Trade Practices Act 1974 Consumer Protection Notice No 8 of 2007 and AS 2088:2022. This product is suitable for use with children weighing under 22kg. Please carefully read this manual and follow each step to ensure a comfortable ride and best protection for your child.

Visit us at joiebaby.com to download manuals and see more exciting Joie products!

Contents

Figures	1-13
WARNING	19
Stroller Assembly	23
Open Stroller	23
Assemble & Detach Front Wheel	23
Assemble & Detach Rear Wheel	23
Assemble Canopy	23
Assemble & Detach Cupholder	23

Stroller Operation	24
Adjust Backrest	24
Use Buckle	24
Use Shoulder & Waist Harnesses	25
Use Armbar	25
Adjust Calf Support	25
Use Front Swivel Lock	26
Use Brake	26
Use Canopy	26
Adjust Handle	26
Switch Seat	26
Use Storage Bag	26
Use Tether Strap	27
Fold Stroller	27
Use Accessories	27
Cleaning and Maintenance	29

Emergency

In case of emergency or accident, it is most important to have your child taken care of with first aid and medical treatment immediately.

Product Information

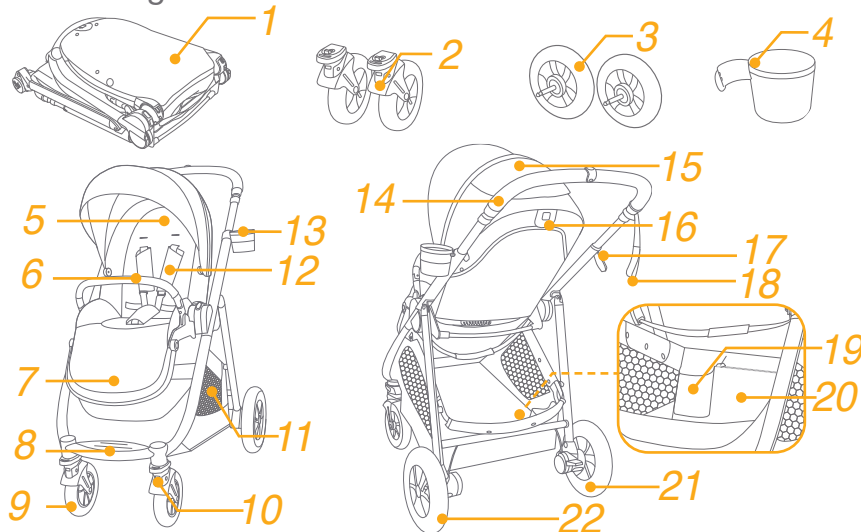
Read all the instructions in this manual before using this product. If you have any further questions, please consult the retailer. Some features may vary depending on model.

Product	Versatrax Stroller
Suitable for	Child weighing under 22kg (birth - 48 months)
Materials	Plastics, metal, fabrics
Patent No.	Patents pending
Made in	China
Brand Name	Joie
Website	www.joiebaby.com
Manufacturer	Nuna Baby Australia Pty Ltd.

Parts List

Make sure all parts are available before assembly. If any part is missing, please contact local retailer. No tools are required for assembly.

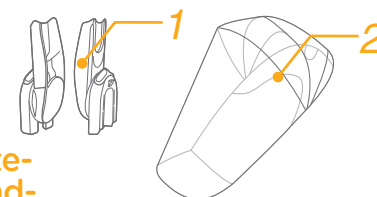
- | | |
|-------------------|---------------------|
| 1 Stroller Frame | 12 Shoulder Harness |
| 2 Front Wheel | 13 Cupholder |
| 3 Rear Wheel | 14 Handle |
| 4 Cupholder | 15 Canopy Window |
| 5 Seat Pad | 16 Recline Handle |
| 6 Armbar | 17 Storage Latch |
| 7 Calf Support | 18 Tether Strap |
| 8 Footrest | 19 Storage Bag A |
| 9 Front Wheel | 20 Storage Bag B |
| 10 Swivel Lock | 21 Brake Lever |
| 11 Storage Basket | 22 Rear Wheel |



Accessories

(May not be included)

- 1 Adapter
- 2 Rain Cover



Accessories may be sold separately or may not be available depending on region.

WARNING

- ! FOLLOW THE MANUFACTURER'S INSTRUCTIONS.
- ! PUT ON ALL THE BRAKES WHENEVER YOU PARK THE PRAM/STROLLER.
- ! DO NOT LEAVE CHILDREN UNATTENDED.
- ! DO NOT CARRY EXTRA CHILDREN OR BAGS ON THIS PRAM/STROLLER.
- ! **MAKE SURE CHILDREN ARE CLEAR OF ANY MOVING PARTS IF YOU ADJUST THE PRAM/STROLLER, OTHERWISE THEY MAY BE INJURED.**
- ! TO AVOID INJURY OR DEATH: ALWAYS APPLY THE BRAKES WHENEVER THE PRAM/STROLLER IS STATIONARY.
- ! ALWAYS KEEP CHILD IN VIEW WHILE IN PRAM/STROLLER.
- ! ALWAYS USE THE CROTCH COMBINATION WITH THE WAIST BELT. IT IS SUGGESTED THAT THE SHOULDER HARNESSSES BE USED AS WELL.
- ! TO AVOID SERIOUS INJURY FROM FALLING OR SLIDING OUT, ALWAYS USE SEAT BELT.
- ! USE THIS STRAP TO STOP THE PRAM/STROLLER ROLLING AWAY.
- ! ENSURE THAT ALL THE LOCKING DEVICES ARE ENGAGED BEFORE USE.
- ! DO NOT LET YOUR CHILD PLAY WITH THIS PRODUCT.
- ! CARRY COT IS ONLY SUITABLE FOR A CHILD WHO CANNOT SIT UP UNAIDED, ROLL OVER AND CANNOT PUSH ITSELF UP ON ITS HANDS AND KNEES. MAXIMUM WEIGHT OF THE CHILD: 9KG.
- ! DO NOT USE OR ADD ANY MATTRESS OTHER THAN THE ONE SUPPLIED WITH THE CARRY COT.
- ! NEVER LEAVE THE HARNESS BUCKLED WHEN NOT FITTED TO A CHILD IN THE PRAM/STROLLER BECAUSE THE HARNESS CAN FORM LOOPS WHICH MAY POSE A STRANGULATION HAZARD.

- ! THE USE OF ACCESSORIES NOT APPROVED BY THE VEHICLE MANUFACTURER IS UNSAFE.
- ! ADULT ASSEMBLY REQUIRED.
- ! THE MAXIMUM RECOMMENDED WEIGHT IN THE CUPHOLDER IS 1LBS (0.5KG).
- ! USE THE STROLLER WITH A CHILD WEIGHING LESS THAN 22KG. IT WILL CAUSE DAMAGE TO THE STROLLER WITH AN UNFITTED CHILD.
- ! TO PREVENT A HAZARDOUS, UNSTABLE CONDITION, DO NOT PLACE MORE THAN 4.5KG IN THE STORAGE BASKET.
- ! THE PRAM/STROLLER IS NOT BE USED NEAR AN OPEN FIRE OR EXPOSED FLAME.
- ! USE THE PRAM/STROLLER WITH ONLY ONE CHILD AT A TIME. NEVER PLACE PURSES, SHOPPING BAGS, PARCELS OR ACCESSORY ITEMS ON THE HANDLE OR HOOD.
- ! OVERLOADING, FOLDING INCORRECTLY, OR USING COMPONENT PARTS FROM OTHER MANUFACTURERS MAY CAUSE THE PRAM/STROLLER TO BE DAMAGED, BROKEN OR UNSAFE. PLEASE READ THE INSTRUCTION MANUAL CAREFULLY.
- ! PLEASE READ ALL THE INSTRUCTIONS IN THE MANUAL BEFORE USING THE PRODUCT. PLEASE SAVE INSTRUCTION MANUAL FOR FUTURE USE. FAILURE TO FOLLOW THESE WARNINGS AND INSTRUCTIONS MAY RESULT IN SERIOUS INJURY OR DEATH.
- ! SAFETY BELTS AND RESTRAINT SYSTEMS MUST BE USED CORRECTLY.
- ! CHILD MAY SLIP INTO LEG OPENINGS AND BE STRANGLER IF THE HARNESS IS NOT USED.
- ! CARE SHOULD BE TAKEN IF THE PRAM/STROLLER IS USED ON STAIRS OR ESCALATORS.
- ! KEEP AWAY FROM HIGH TEMPERATURE OBJECTS, LIQUIDS, AND ELECTRONICS.

- ! NEVER ALLOW YOUR CHILD TO STAND ON THE PRAM/STROLLER OR SIT IN THE PRAM/STROLLER WITH HEAD TOWARD FRONT OF PRAM/STROLLER .
- ! NEVER PLACE THE PRAM/STROLLER ON ROADS, SLOPES OR DANGEROUS AREAS.
- ! DO MAKE SURE ALL MECHANISMS ARE FIXED BEFORE USING THE PRAM/STROLLER.
- ! TO AVOID STRANGULATION, DO NOT PLACE ITEMS WITH A STRING AROUND YOUR CHILD'S NECK, SUSPEND STRINGS FROM THIS PRODUCT, OR ATTACH STRINGS TO TOYS.
- ! DO NOT LIFT PRAM/STROLLER WHILE CHILD IS IN PRAM/STROLLER.
- ! DO NOT USE STORAGE BASKET AS A CHILD CARRIER.
- ! TO PREVENT TIPPING, NEVER LET CHILD CLIMB THE PRAM/STROLLER . ALWAYS LIFT THE CHILD IN AND OUT OF THE PRAM/STROLLER .
- ! TO AVOID FINGER ENTRAPMENT, USE CARE WHEN FOLDING AND UNFOLDING THE PRAM/STROLLER.
- ! PLEASE KEEP THE STORAGE LATCH LOCKING CORRECTLY WHEN LIFT AND MOVE THE UNIT. PLEASE TRANSPORT THE FOLDED STROLLER SAFELY.
- ! TO ENSURE YOUR CHILD'S SAFETY, PLEASE MAKE SURE ALL PARTS ARE ASSEMBLED AND FASTENED PROPERLY BEFORE USING THE PRAM/STROLLER .
- ! TO AVOID STRANGULATION, DO MAKE SURE YOUR CHILD IS CLEAR FROM THE CANOPY.
- ! THE VEHICLE IS DESIGNED FOR USE ON FLAT OR GENTLY SLOPING SURFACES AND MAY BE UNSTABLE ON HIGHER SLOPING AND UNEVEN SURFACES; RESULTING IN THE POSSIBILITY OF THE VEHICLE TIPPING OVER.
- ! DISCONTINUE USING PRAM/STROLLER IF IT IS DAMAGED OR BROKEN.
- ! THIS PRODUCT IS NOT SUITABLE FOR RUNNING OR SKATING. PRAM/STROLLER TO BE USED ONLY AT WALKING SPEED. THIS PRODUCT IS NOT INTENDED FOR USE WHILE JOGGING.

- ! TO AVOID SUFFOCATION, REMOVE PLASTIC BAG AND PACKAGING MATERIALS BEFORE USING THIS PRODUCT. THE PLASTIC BAG AND PACKAGING MATERIALS SHOULD THEN BE KEPT AWAY FROM BABIES AND CHILDREN.
- ! STROLLER DESIGNED TO BE USED FROM BIRTH SHALL RECOMMEND THE USE OF THE MOST RECLINED POSITION FOR NEW BORN BABIES.
- ! THE BRAKES MUST ALWAYS BE APPLIED WHEN THE PRAM/STROLLER IS NOT MOVING.
- ! EXTRA CARE IS NEEDED IF USED ON MOVING VEHICLES AND CHILD SHOULD NOT BE LEFT UNATTENDED, EVEN WITH BRAKES ENGAGED.
- ! USE THIS HARNESS AT ALL TIMES.
- ! SECURE THE CHILD IN THE HARNESS AT ALL TIMES.
- ! TO AVOID BURNS, NEVER PUT HOT LIQUIDS IN YOUR CUPHOLDER.
- ! FOR INFANT CHILD RESTRAINTS USED IN CONJUNCTION WITH A CHASSIS, THIS VEHICLE DOES NOT REPLACE A COT OR A BED. SHOULD YOUR CHILD NEED TO SLEEP, THEN IT SHOULD BE PLACED IN A SUITABLE PRAM BODY, COT OR BED.
- ! DO NOT ATTACH ITEMS TO THE HANDLE, SEAT BACK OR SIDES OF THE PRAM/STROLLER. ANY ADDITIONAL LOAD WILL AFFECT THE STABILITY OF THE PRAM/STROLLER AND COULD CAUSE THE PRAM/STROLLER TO TIP.
- ! WARNING TO AVOID SERIOUS INJURY, MAKE SURE THE CANOPY IS ASSEMBLED WHEN BACKREST IS IN THE MOST RECLINED POSITION.
- ! WARNING: DO NOT USE THIS BASSINET ONCE THE CHILD CAN SIT UP UNAIDED.
- ! WARNING: DO NOT USE FOR UNSUPERVISED SLEEPING.
- ! THE VEHICLE IS NOT TO BE USED AS AN UNSUPERVISED SLEEPING ENVIRONMENT.

Stroller Assembly

(Please refer to figures on page 1-13)

Please read all the instructions in this manual before assembling and using this product.

Open Stroller

see images ① - ③

Separate storage latch from storage mount ①, and then lift the handle upwards ②, a click sound means the stroller is open completely.

- ! Check that the stroller is completely latched before continuing to use.
- ! Please do not press the calf support while opening the backrest. ③ - 1 If do it, please benchmark ④② to fold the backrest and reopen it.

Assemble & Detach Front Wheel

see images ④ - ⑤

Assemble & Detach Rear Wheel

see images ⑥ - ⑦

Assemble Canopy

see images ⑧ - ⑩

Assemble & Detach Cupholder

see images ⑪ - ⑫

The completely assembled stroller is shown as ⑬

Stroller Operation

Adjust Backrest

see images ⑭ - ⑮

There are 4 recline angles for the backrest.

Raise Backrest

To raise the backrest, rotate the recline handle on the back of the seat, pull up on the backrest. ⑭

Recline Backrest

To recline the backrest, rotate the recline handle on the back of the seat, pull down on the backrest. ⑮

! Please do not press the releasing button ⑭ - 3 & ⑮ - 3 on the middle of the recline handle when adjusting the angle for the recline.

- ! Make sure the recline is set properly for use.
- ! Make sure the canopy is assembled when backrest is in the most reclined position. ⑧ & ⑨ & ⑩

Use Buckle

see images ⑯ - ⑰

Release Buckle

Press the center button to release the buckle. ⑯

Lock Buckle

Match the waist belt buckle with the shoulder buckle ⑰ - 1, and click into the center buckle. ⑰ - 2 A “click” sound means the buckle is locked completely. ⑰ - 3

- ! To avoid serious injury from falling or sliding out, always secure your child with harness.
- ! Make sure your child is snugly secured. The space between the child and the shoulder harness is about the thickness of one hand.
- ! Do not cross the shoulder belts. This will cause pressure on a child’s neck.

Use Shoulder & Waist Harnesses

see images 18 - 23

! In order to protect your child from falling out, after your child is placed into the seat, check whether the shoulder and waist harnesses are at proper height and length.

18 - 1 Shoulder harness anchor A

18 - 2 Shoulder harness anchor B

18 - 3 Slide adjuster

For larger child, use shoulder harness anchor A and the highest shoulder slots. For smaller child, use shoulder harness anchor B and the lowest shoulder slots.

To adjust the position of the shoulder harness anchor, turn the anchor to be level with the side facing forward. Thread it through the shoulder harness slot from back to front. 21

Rethread it through the slot that is closest to child's shoulder height. 22

! To re-assemble canopy soft goods, follow the steps above in reverse 21 - 19

Use slide adjuster to change the harness length. 23 - 1

Press the button 23 - 2, while pulling the waist harness to proper length. 23 - 3

Use Armbar

see images 24 - 26

Adjust Calf Support

see images 27 - 28

The calf support has 2 positions.

To lower calf support, press the adjustment buttons on both sides of the calf support 27 - 1, and rotate the calf support downwards. 27 - 2

To raise the calf support, push it upwards. A "click" sound means the calf is locked completely.

Use Front Swivel Lock

see image 29

Push up the front swivel locks to maintain the moving direction.

29

Tip It is recommended to use swivel locks on uneven surfaces.

Use Brake

see images 30 - 31

To lock wheels, step the brake lever downwards. 30

To release wheels, just lift the brake lever upwards. 31

Tip Always set the parking brake when stroller is not moving.

Use Canopy

see images 32 - 34

The canopy can be opened completely to protect your child from the sun uttermostly, just unzip the zip 33, and then pull the canopy toward front.

Adjust Handle

see image 35

Switch Seat

see images 36 - 39

Use Storage Bag

see image 40

The maximum load of Storage Bag A and B is 0.45kg.

Use Tether Strap

Use the tether strap to prevent the stroller inadvertently rolling away. Check that when your hand is through the loop, it allows you to easily control the stroller.

Fold Stroller

see images 41 - 50

- ! The button on the middle of the recline handle is used for folding the seat. 42 - 1
- ! The stroller with forward-facing seat can stand when the handle is in the highest position and with rear-facing seat can stand by wheels after folded. 46
- ! The storage latch will automatically hook onto the storage mount, then the stroller is folded and locked completely.
- ! You can lift the strap to transport the unit safely after folding the stroller. 47

Use Accessories

Accessories may be sold separately or may not be available depending on region.

Use with Infant Child Restraint

see images 51 - 56

When using with Joie infant child restraint Gemm & iGemm please refer to the following instructions.

- ! A “click” sound means the adapter is locked completely.
- ! If you have any problems about using the infant child restraint, please refer to their own instruction manuals.
- ! Please do not fold the stroller when the infant child restraint is still attached.

Use Carry Cot

see images 57 - 60

When using with Joie ramble xl carry cot, please refer to the following instructions.

- ! A “click” sound means the adapter is locked completely.
- ! Always use the mattress when using the carry cot.
- ! If you have any problems about using the carry cot, please refer to their own instruction manuals.
- ! Please do not fold the stroller when the carry cot is still attached.

Use Rain Cover

see image 61

To assemble the rain cover, place it over the seat.

- ! When using the rain cover, please always check its ventilation.
- ! When not in use, please check that the rain cover has been cleaned and dried before folding.
- ! Do not fold the stroller after assembling the rain cover.
- ! Do not place your child into the stroller assembled with rain cover during hot weather.

Cleaning and Maintenance

see image 62

- ! To clean stroller frame, use only household soap and warm water. No bleach or detergent. Please refer to the care label for instructions on cleaning the fabric parts of the stroller.
- ! Removable soft goods can be washed by machine. No bleach. Do not twist the seat cover and inner padding to dry with great force. It may leave the seat cover and inner padding with wrinkles.
- ! From time to time, check your stroller for loose screws, worn parts, torn material or stitching. Replace or repair the parts as needed. Periodically wipe clean plastic parts with a soft damp cloth. Always dry the metal parts to prevent the formation of rust if the stroller has come into contact with water.
- ! Excessive exposure to sun or heat could cause fading or warping of parts.
- ! If stroller becomes wet, open canopy and allow to dry thoroughly before storing.
- ! If wheels squeak, use a light oil (e.g., Silicon Spray, antirust oil, or sewing machine oil). It is important to get the oil into the axle and wheel assembly. 62
- ! When using your stroller at the beach or other sandy/dusty environments, completely clean your stroller after use to remove sand and salt from mechanisms and wheel assemblies.

NOTE



Joie™

Nuna Baby Australia Pty Ltd.
Unit 1, 35 Lyn Parade Prestons,
NSW Australia 2170

bring the kids™

Share the joy at joiebaby.com

P-IM0504H