

Joie™

Instruction Manual

tansy™

stroller

Weight: up to 40 lb. (18 kg)

Height: up to 43 in. (109 cm)



IMPORTANT!

Read the instructions in this manual before use of the product.

Contents:

- 3 Warranty Information
- 4 Warnings
- 8 Parts List
- 10 Opening Stroller
- 10 Attaching & Detaching Front Wheels
- 12 Attaching & Detaching Rear Wheels
- 12 Attaching & Detaching Canopy
- 14 Attaching & Detaching Cup Holder
- 14 Securing Your Child
- 18 Adjusting Backrest
- 20 Adjusting Calf Support
- 20 Using Front Swivel Lock
- 22 Using Brakes
- 24 Using Canopy
- 24 Removing Harness Covers
- 24 Folding Stroller
- 26 Care & Maintenance

Child Usage Requirements

This stroller is suitable for use with children who meet the following requirements:

Weight: up to 40 lb. (18 kg)

Height: up to 43 in. (109 cm)

Important:

Product Registration

Please fill in the information below. The model number and the date of manufacture are located on a label on the stroller frame. Fill out the prepaid registration postcard attached to the product and mail it today. To register your product online, please visit: <https://joiebaby.com/us/register-gear>.

Model Name: _____

Model Number: _____

Date of Manufacture: _____

Date of Purchase: _____

register your
product online



Limited Warranty

We have purposely designed our high-quality products so that they can grow with both your child and your family. Because we stand by our product, our gear is covered by a custom limited warranty per product, starting from the day it was purchased. Please have the proof of purchase, model number and date of manufacture available when you contact us. For warranty information please visit: www.joiebaby.com.

Contact:

In the USA:

Joie Baby USA Consumer Service Contact Info.

Address: 70 Thousand Oaks Blvd., Morgantown, PA 19543

In Canada:

Joie B  b   Canada Consumer Service Contact Info.

Address: PO Box 96528 RPO Brunswick, Kirkland, Quebec H9H 5L4

Email: info.us@joiebaby.com

Phone: 1-866-798-7866

⚠️ WARNING

Failure to follow these warnings and instructions could result in serious injury or death.

- **NEVER** leave child unattended.
- **Choking Hazard:** Keep small parts away from children. These components may pose a choking hazard.
- **Suffocation Risk:** Remove all plastic covers before using the stroller. Destroy these covers or keep them completely out of reach of babies and children.
- **Broken Stroller:** If the stroller becomes damaged or broken, stop using it immediately. A damaged stroller can be unsafe.
- **Modification Warning:** Do not modify the stroller in any way unless specified in the manual. Unauthorized changes can compromise safety.
- **Genuine Parts Only:** Use only genuine parts and accessories from Joie.
- **Overloading, incorrect folding, and using accessories other than those approved by Joie,** e.g. child seats, bag hooks, rain covers, buggy boards, etc., may damage or make the stroller unsafe.

⚠️ WARNING

Failure to follow these warnings and instructions could result in serious injury or death.

- **Weight & Height Limits:** This stroller is only suitable for children up to 40 lb. (18 kg) and 43 in. (109 cm) tall. Exceeding these limits can cause wear and tear, potentially leading to an unstable stroller.
- **Single Child Use:** This stroller is designed for one child only. Never transport more than one child at a time.
- **To prevent a hazardous, unstable condition,** do not place more than 10 lb. (4.5 kg) in storage basket and never place purses, shopping bags, parcels or other items on the handle or canopy.
- **DO NOT** use storage basket as a child carrier.
- **Avoid serious injury from falling or sliding out.** ALWAYS use harness. After fastening buckles, adjust straps to get a snug fit around your child.
- **Avoid Finger Entrapment:** Use care when folding and unfolding the stroller. Ensure the stroller is fully erected and locked before allowing your child near the stroller.

⚠️ WARNING

Failure to follow these warnings and instructions could result in serious injury or death.

- **Strangulation Hazard:** Do not place items with a string around your child's neck, suspend strings from the stroller, or attach strings to toys.
- **DO NOT** let your child play with the stroller.
- **ALWAYS** keep your child in view while in the stroller.
- **NEVER** allow your child to stand on the stroller.
- **The parking brakes MUST be engaged** when the stroller is stopped and when placing and removing child.
- **Negotiate curbs and rough ground carefully.** Repeated impact could cause damage to the stroller.
- **The stroller is to be used only at walking speed** and is not intended for use while jogging, skating, etc.

⚠️ WARNING

Failure to follow these warnings and instructions could result in serious injury or death.

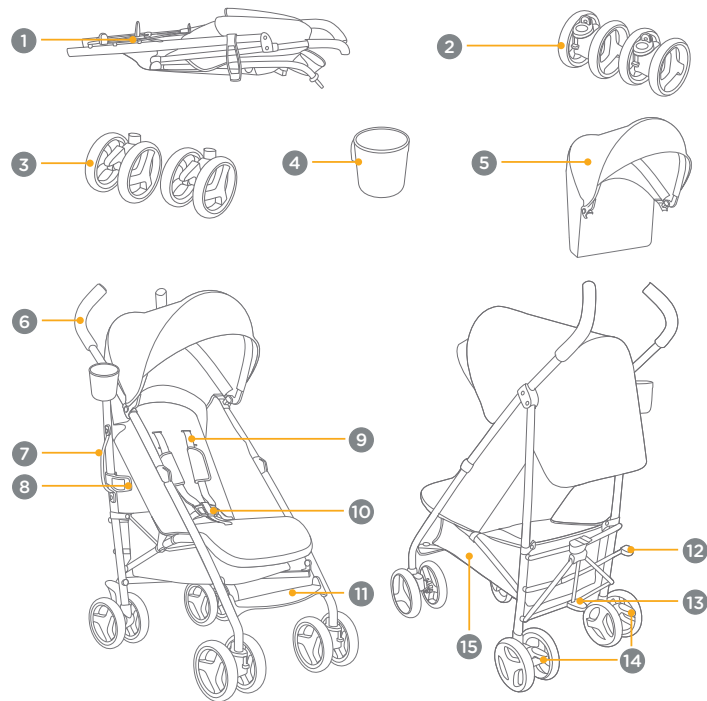
- **NEVER** use the stroller on stairs or escalators. You may suddenly lose control of the stroller or your child may fall out.
- **The stroller does not replace a crib or a bed.** Should your child need to sleep, they should be placed in a crib or sleeping area based on your child's requirements.
- **ALWAYS** allow the fabric to dry naturally away from direct heat.
- **DO NOT** leave the stroller exposed near a strong source of heat, i.e. a radiator or open fire, or store the stroller in a damp place.
- **To avoid burns,** never put hot liquids in the cup holder.
- **To prevent a hazardous, unstable condition, DO NOT** place more than 1 lb. (0.5 kg) in the cup holder.

Parts List:

Please make sure there are no missing parts. Please contact Joie Consumer Service if anything is missing.

- 1 Stroller Frame
- 2 Front Wheels
- 3 Rear Wheels
- 4 Cup Holder
- 5 Canopy
- 6 Handle
- 7 Carry Strap
- 8 Storage Latch
- 9 Safety Harness
- 10 Buckle
- 11 Footrest
- 12 Folding Pedal
- 13 Foot Plate
- 14 Brake Levers
- 15 Storage Basket

Parts List:



Opening Stroller:

- 1 - Separate storage latch from storage mount.
- 2 - Lift handle of stroller up (A). Press down foot plate (B) on back of stroller until stroller latches open. A “clicking” sound will confirm that the stroller properly locked open.

IMPORTANT: Safety Check: Check that the stroller is securely latched open before continuing.

Attaching & Detaching Front Wheels:

3 - Attach Front Wheels:

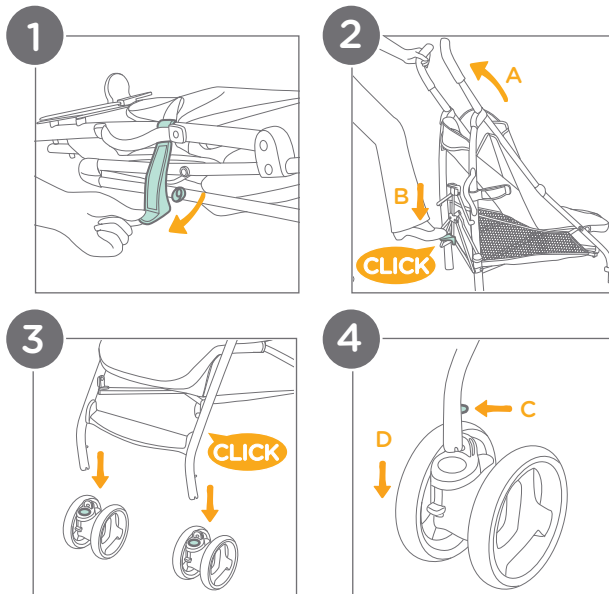
Insert the front wheels into the front legs.

A “clicking” sound will confirm that the wheels are properly locked in place.

IMPORTANT: Safety Check: Always pull on the wheels after attachment to ensure they are securely fastened.

4 - Detach Front Wheels:

To remove the front wheel, press the release button (C) and then detach the front wheel from the front leg (D).



Attaching & Detaching Rear Wheels:

1 - Attach Rear Wheels:

Insert the rear wheels into the rear legs, ensuring the brake lever faces towards the back of the stroller.

A “clicking” sound will confirm that the wheels are properly locked in place.

IMPORTANT: If rear wheel does not click into place, try other rear leg.

Safety Check: Always pull on the wheels after attachment to ensure they are securely fastened.

2 - Detach Rear Wheels:

To remove the rear wheel, press the release button (A) and then detach the back wheel from the back leg (B).

Attaching & Detaching Canopy:

3 - Attach Canopy:

Locate the round tabs on the stroller frame. Position the canopy mounts so they align with these tabs. Wrap the mounts around the frame until they fit snugly.

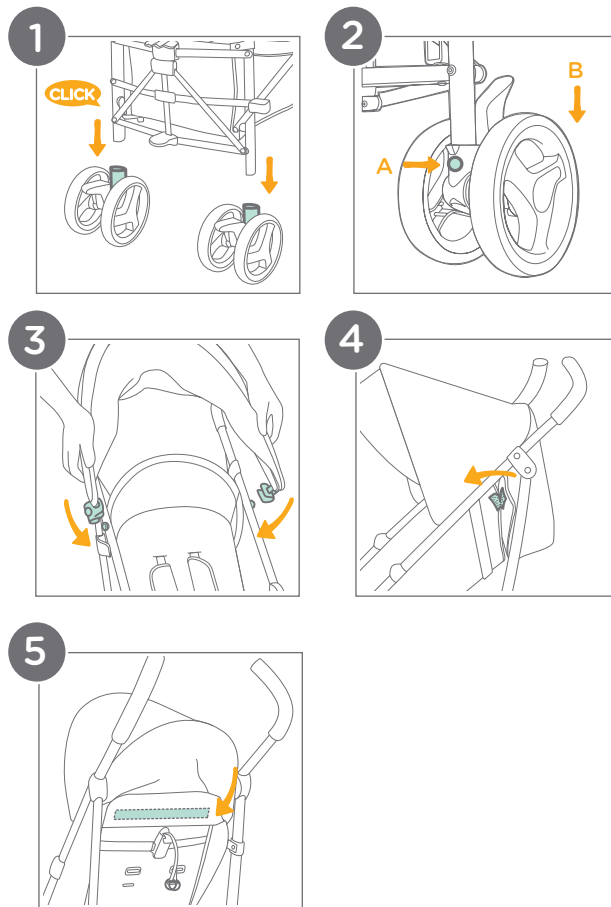
4 - Attach Sides:

Attach the hook and loop fasteners from the canopy sides to the sides of the stroller seat.

5 - Attach Rear Flap:

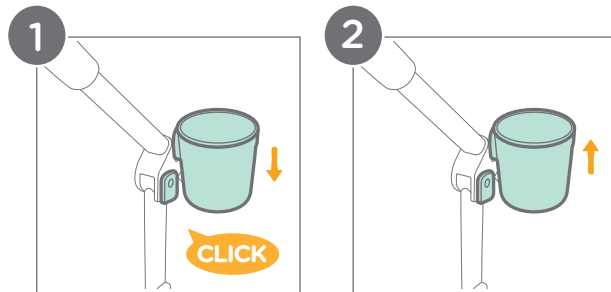
Attach the hook and loop fasteners from the rear canopy to the rear flap of the stroller seat.

12 Reverse steps to detach canopy.



Attaching & Detaching Cup Holder:

- 1 - Align the cup holder bracket with the mount on the right side of the stroller frame. Slide the cup holder down. A “clicking” sound will confirm that the cup holder is properly locked in place.
- 2 - To detach the cup holder, pull up on the cup holder and slide it off of the bracket.



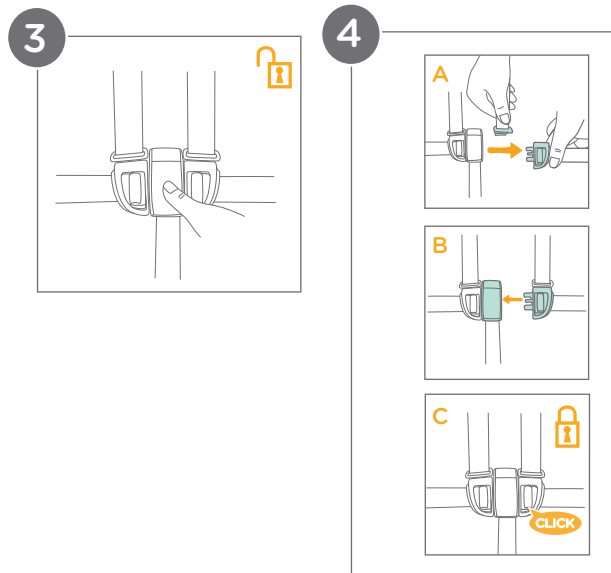
Securing Your Child:

3 - Release Buckle:

Locate the button in the center of the buckle and press it firmly to release the harness straps.

4 - Lock Buckle:

Slide the shoulder harness buckle into the lap belt buckle (A). Insert the combined buckles together into the center buckle (B). A “clicking” sound will confirm that the buckle is properly locked in place (C).



Shoulder Harness Height Adjustment:

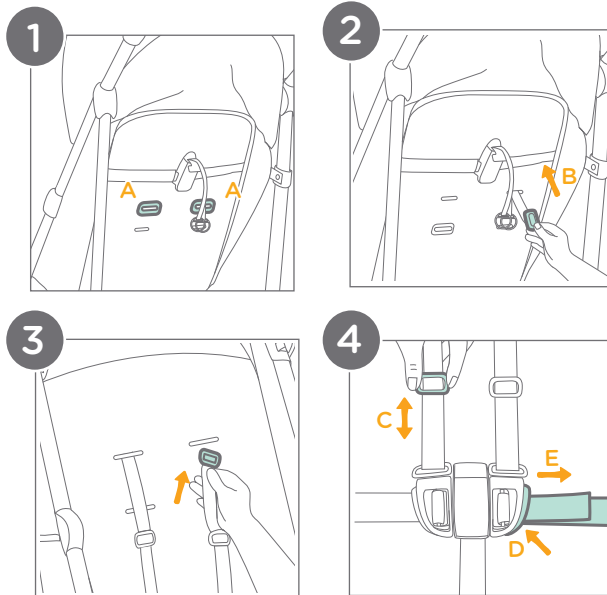
IMPORTANT: Always secure your child with the harness.

CAREGIVER MUST always help the child get into and out of the stroller.

Proper harness adjustment: Ensure the harness straps are snug but comfortable.

Shoulder strap positioning: Never cross the shoulder straps. Always keep them straight over your child's shoulders to avoid putting pressure on their neck.

- 1 - Locate the shoulder harness anchors (A) on back of seat.
- 2 - Turn the shoulder harness anchor (B) to face forward, aligning it with the front of the stroller. Thread the anchor through the shoulder harness slot from back to front.
- 3 - Re-thread the anchor through the slot closest to your child's shoulder height.
- 4 - Use the slide adjuster (C) to adjust the length of the shoulder harness straps. Pull the waist harness strap (E) to tighten the waist harness. Press the button (D) on the slide adjuster and pull to loosen the waist harness strap (E).



Adjusting Backrest:

1 - Recline Backrest:

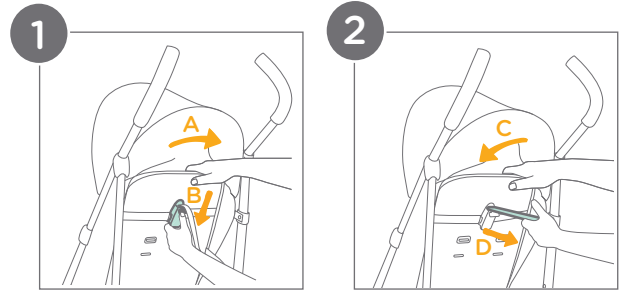
Pull the backrest backwards (A), while pressing the button in the center of the angle adjuster (B).

2 - Raise Backrest:

Push the backrest forwards (C), while pulling the webbing at the end of the angle adjuster (D).

IMPORTANT: Always ensure the backrest is securely locked in place before placing your child in the stroller.

Seat Adjustments: When making adjustments to the stroller seat, make sure child's head, arms and legs are clear of moving seat parts and stroller frame to prevent injury.



Adjusting Calf Support:

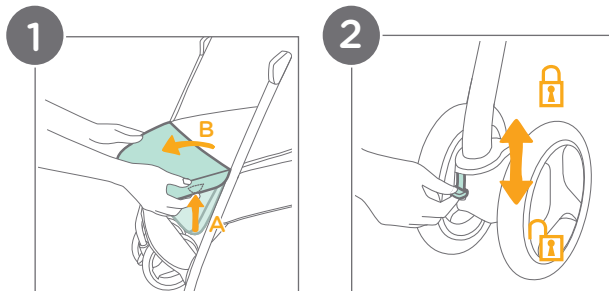
The calf support has 2 positions.

Raise Calf Support

Lift the calf support upwards. A “clicking” sound will confirm that the calf support is properly locked in place.

Lower Calf Support

- 1 - Find the adjustment buttons on both sides of the calf support (A) and press both buttons simultaneously. While squeezing the buttons, gently rotate the calf support downwards (B) to your desired position.



Using Front Swivel Lock:

- 2 - Push the front swivel locks upwards to fix the wheels in a straight position. This will prevent them from swiveling freely. Push the swivel locks downwards to unlock them.

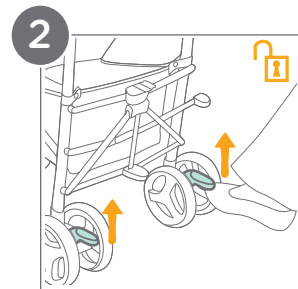
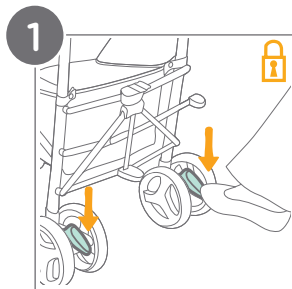
 It is recommended to use swivel locks on uneven surfaces.

Using Brakes:

1 - To lock wheels, push down on brake levers to lock brakes.

2 - To release wheels, lift up on brake levers to unlock brakes.

WARNING: Always apply the parking brakes whenever the stroller is stopped. Gently push the stroller to ensure the brakes are securely engaged.



Using Canopy:

1 - Opening and Closing the Canopy:

To open, pull the canopy forward towards the front of the seat. To close, push the canopy back until it reaches the desired position.

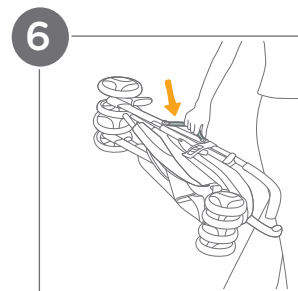
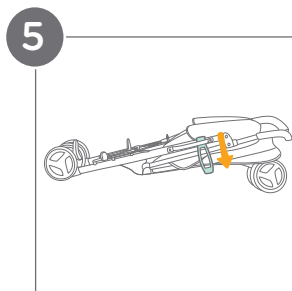
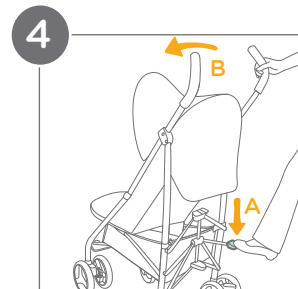
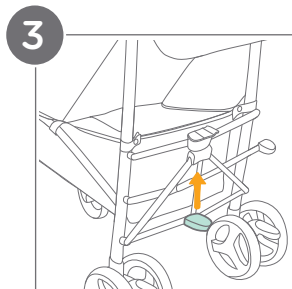
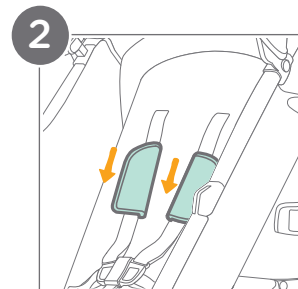
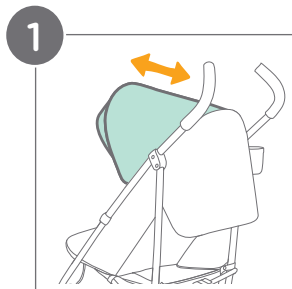
Removing Harness Covers:

- 2 - ONLY use these harness covers on this stroller. Never use harness covers on any other product. Unbuckle the harness straps. Slide harness covers off straps, by pulling them down over the shoulder harness buckle.
-

Folding Stroller:

IMPORTANT: Always fully close the canopy before folding the stroller. This prevents damage to the canopy fabric.

- 3 - Lift the foot plate.
- 4 - Step downwards on the folding pedal (A), push the handle forward to fold (B).
- 5 - The storage latch will automatically hook onto the storage mount, which indicates stroller is folded and locked completely.
- 6 - Use carry strap on side of stroller to carry.



Care & Maintenance:

Cleaning:

All removable fabric parts: May be hand-washed in cold water and drip-dried. Do not bleach. Refer to the care label for specific washing instructions on cleaning the fabric parts of the stroller.

Any fabric parts which are not removable should be spot-cleaned using a soft cloth and warm soapy water.

Stroller frame: Wipe clean with a solution of warm water and mild household soap. Avoid bleach and harsh detergents.

Plastic parts: Periodically wipe clean with a damp cloth.

Metal parts: After contact with water, thoroughly dry the metal frame to prevent rust.

Maintenance:

Regular inspection: Check stroller regularly for loose or missing parts. Discontinue use if parts are loose or missing.

Loose screws: Tighten any loose screws you find.

Worn parts: Replace any worn or damaged parts. Use only Joie replacement parts.

Torn material or stitching: Repair or replace torn fabric or stitching. Use only Joie replacement fabrics.

Contact Joie Consumer Service at:

Email: info.us@joiebaby.com • Phone: 1-866-798-7866

Storage:

Sun and heat exposure: Avoid excessive sun or heat exposure to prevent fading or warping of parts.

Drying after use: If the stroller gets wet, open the canopy and allow it to dry completely before storing.

Wheel Maintenance:

Squeaking wheels: Apply a light coat of lubricating oil (e.g., silicone spray, anti-rust oil, or sewing machine oil) directly to the axle and wheel assembly to eliminate squeaking.

Beach Use:

After beach use: Thoroughly clean the stroller to remove sand and salt from the mechanisms and wheels. This helps prevent rust and ensure smooth operation.

Cup Holder:

For a more thorough cleaning, remove the cup holder following the instructions on page 14.

Use mild detergent and warm water.

The cup holder can be placed on the top rack only of your dishwasher for convenient cleaning.

Joie™

Effortlessly happy.

Helping parents be their best
with worry-free baby gear.

IM-001379D