

Joie™

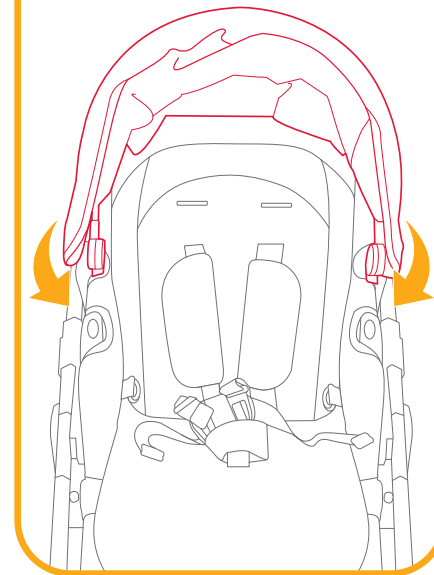
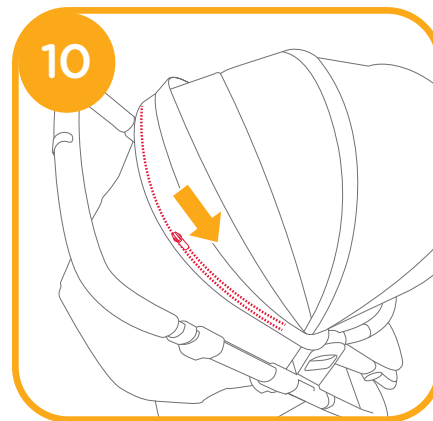
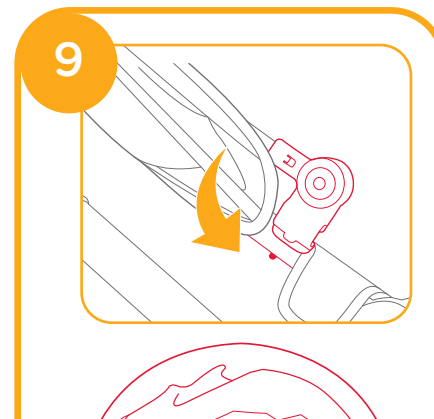
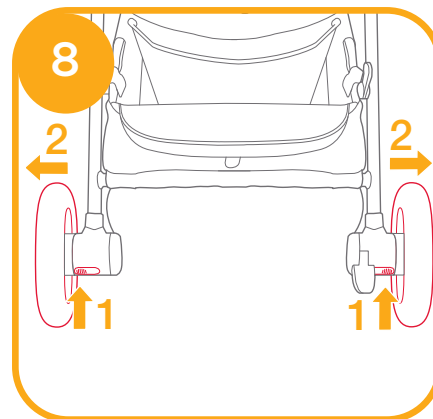
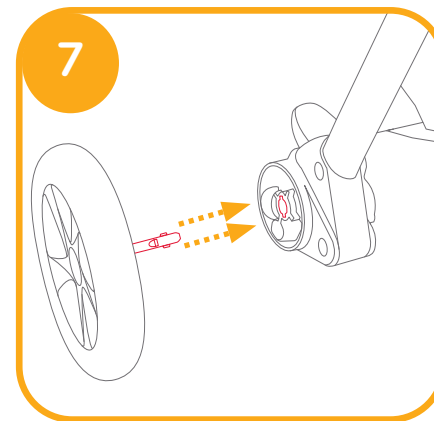
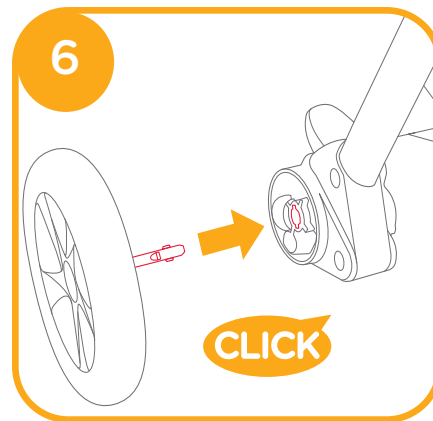
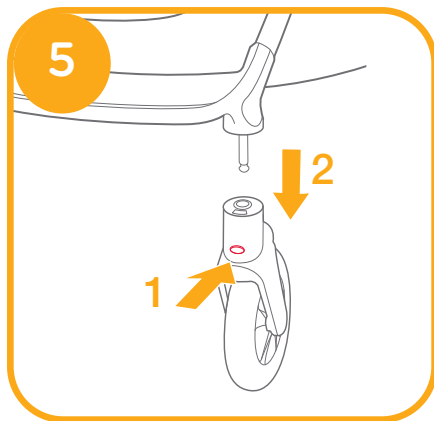
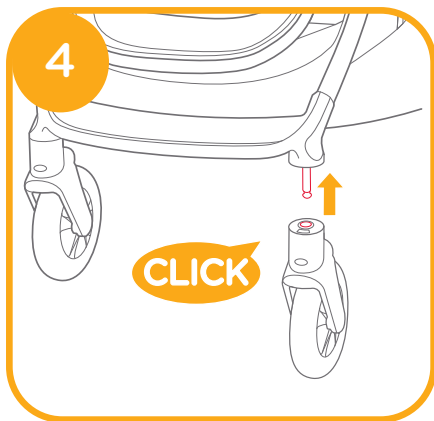
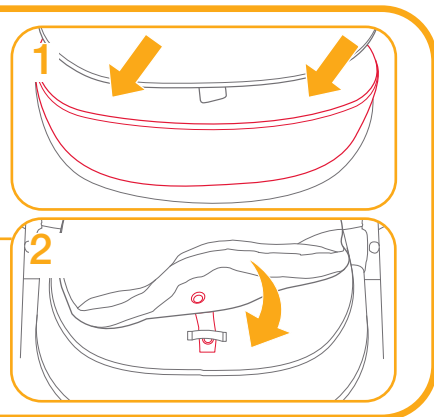
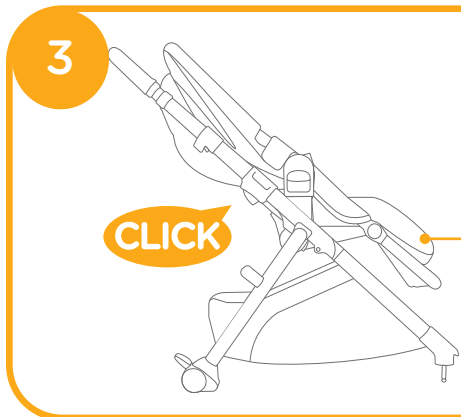
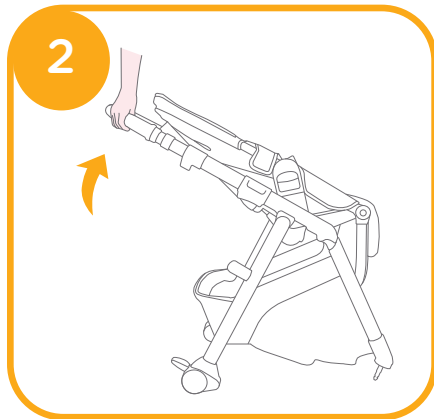
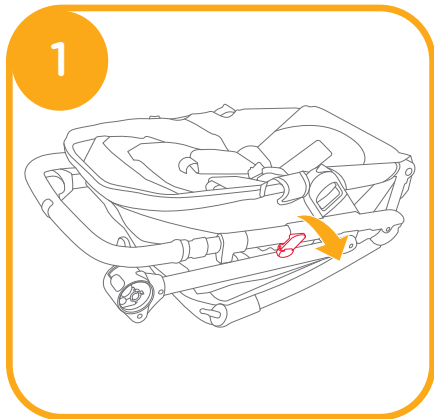
alore™ stroller

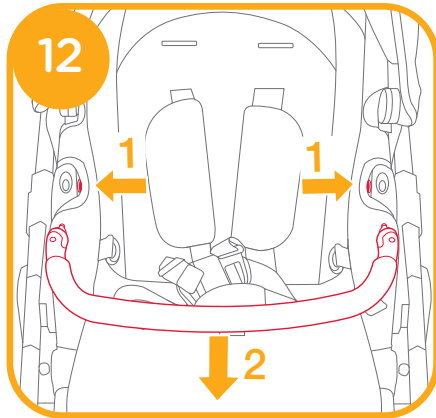
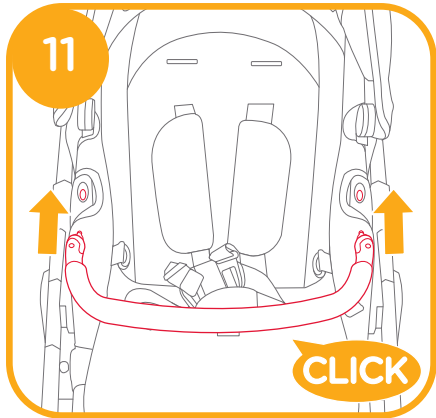
- GB Instruction Manual
- PT Manual de instruções
- ES Manual de instrucciones
- FR Manuel d'instructions
- NL Instructiehandleiding
- IT Manuale di istruzioni
- HU Használati utasítás
- SL Navodila za uporabo
- DE Bedienungsanleitung
- SE Bruksanvisning
- EL Εγχειρίδιο οδηγιών χρήσης
- PL Instrukcja obsługi
- CZ Návod k obsluze
- SK Návod na použitie
- TR Kullanım Kılavuzu
- RU Руководство по эксплуатации**
- DA Brugervejledning
- AR دليل التعليمات
- FI Käyttöopas
- NO Instruksjonsbok
- ET Kasutusjuhend
- LV Lietošanas rokasgrāmata
- LT Naudojimo instrukcija
- HR Upute za uporabu
- RO Manual de instrucțiuni
- KO 사용 설명서
- SR Uputstvo za upotrebu



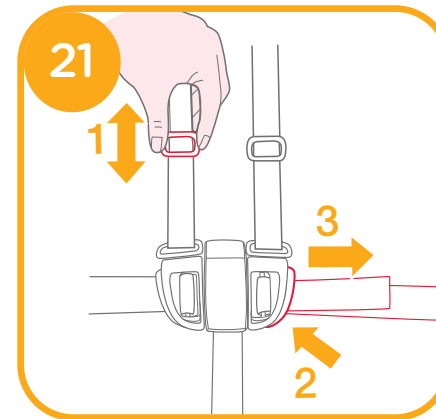
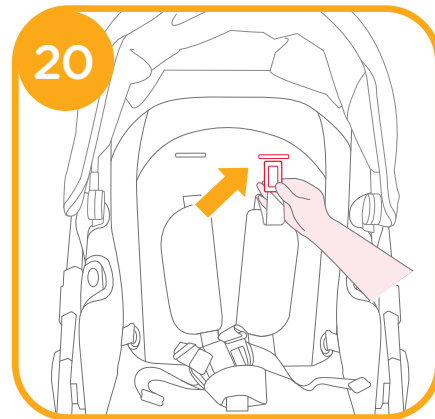
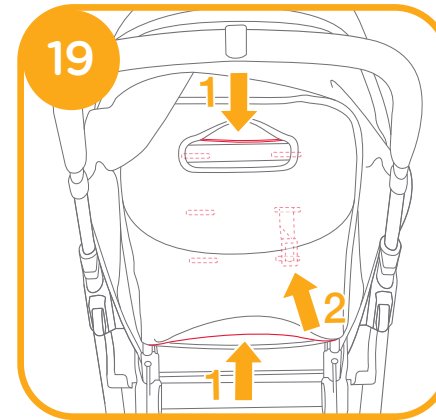
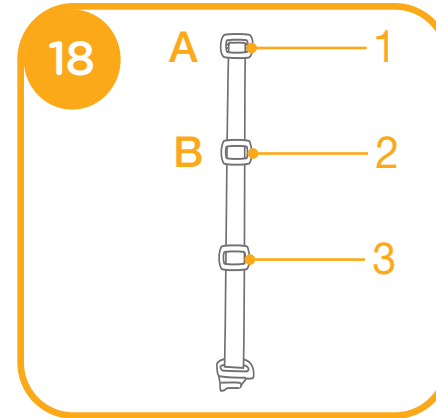
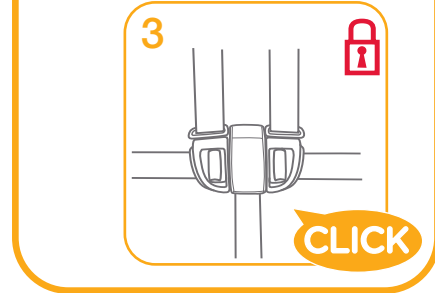
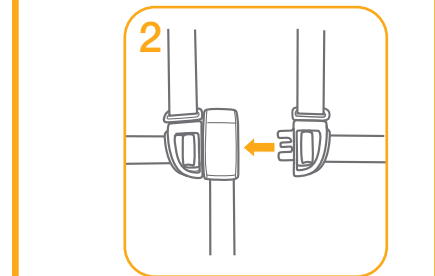
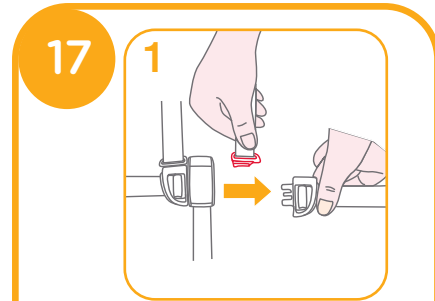
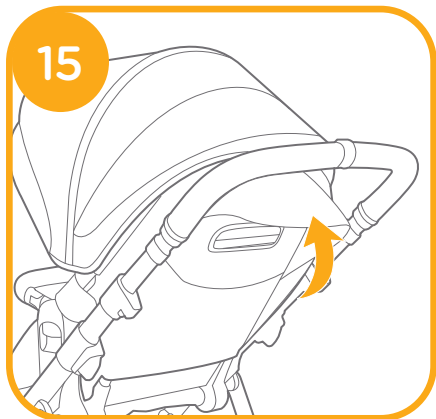
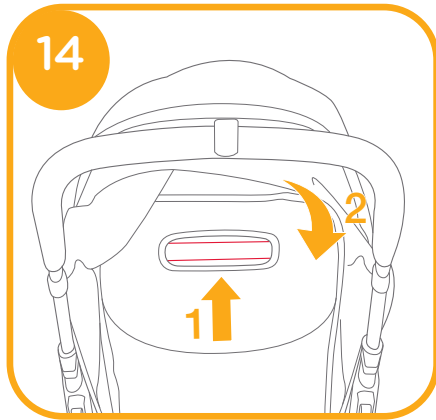
IMPORTANT - READ CAREFULLY AND KEEP FOR FUTURE REFERENCE.

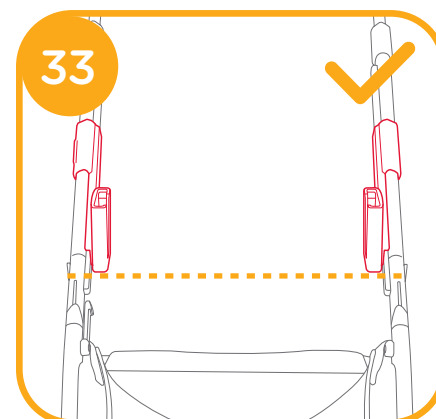
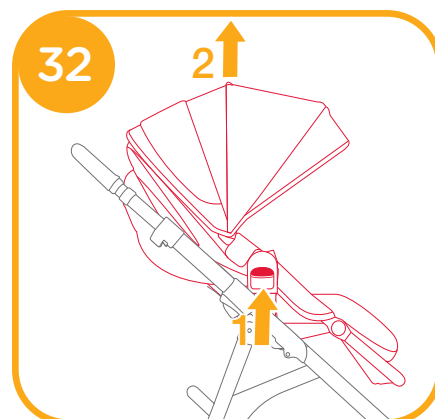
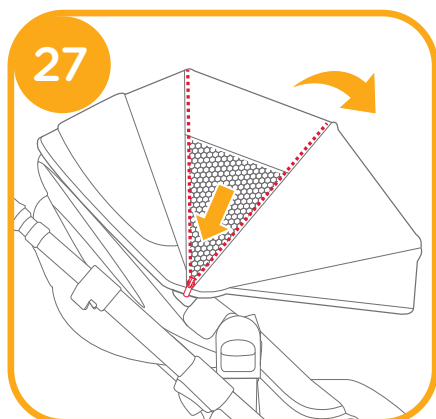
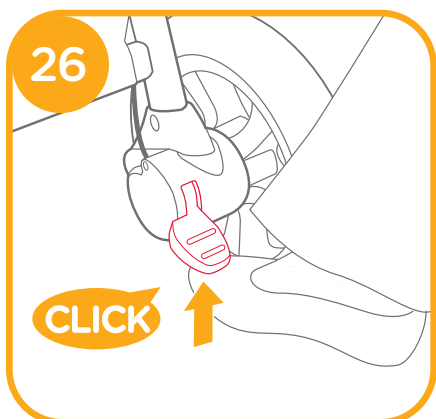
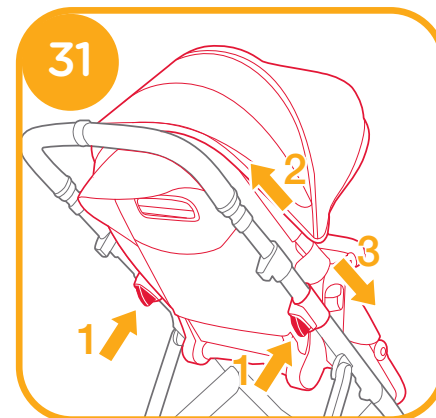
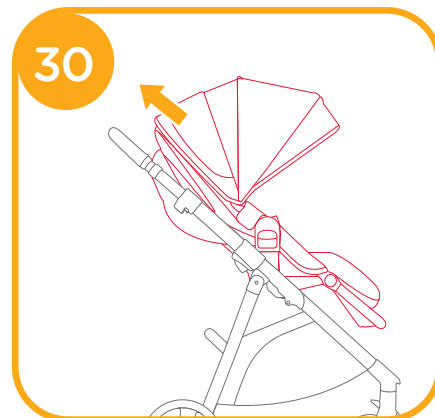
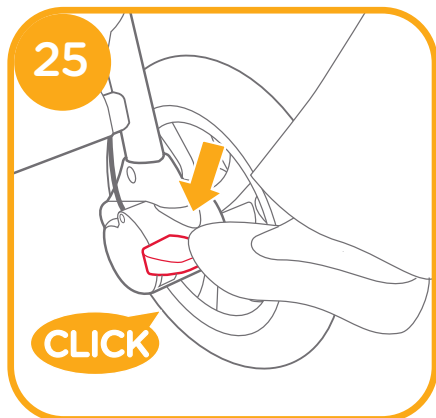
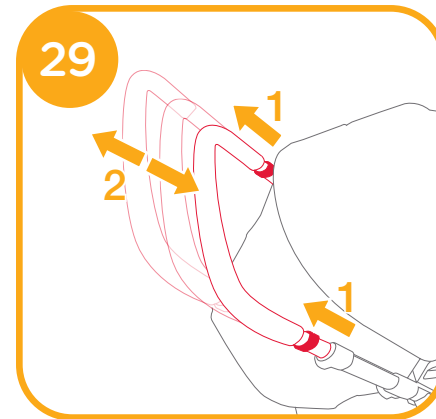
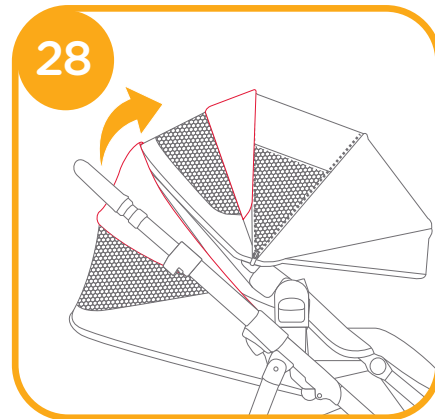
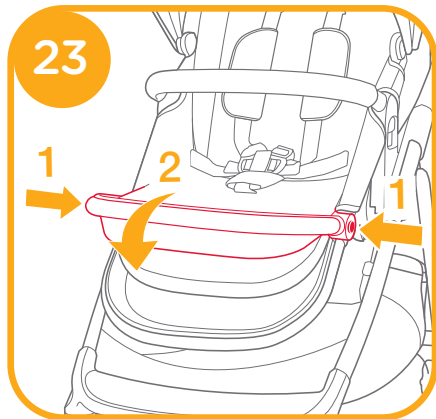
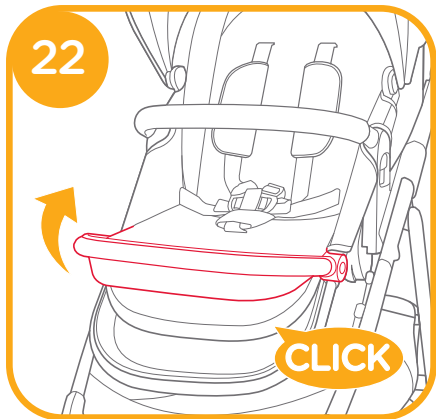
Stroller Assembly

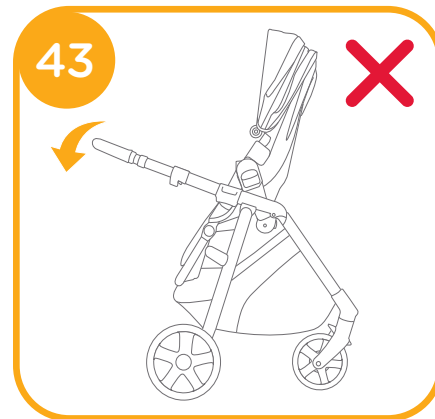
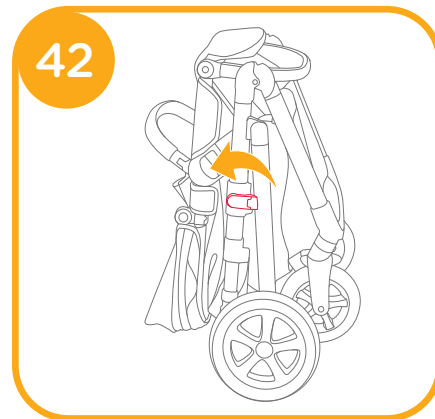
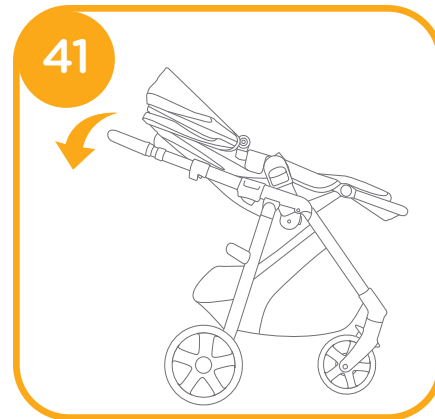
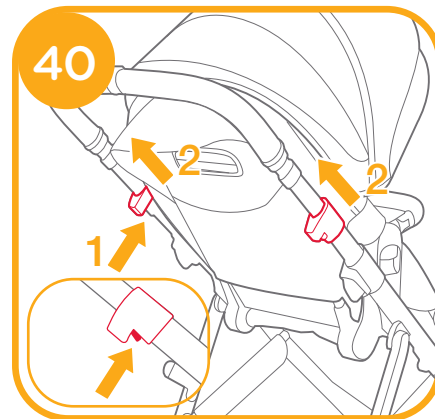
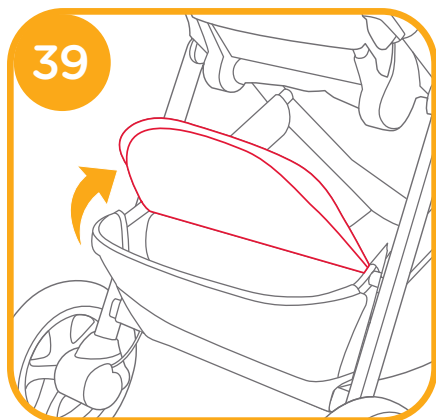
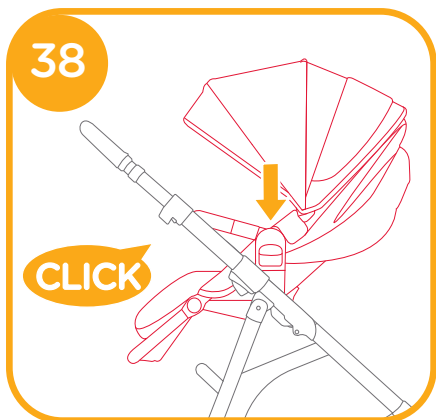
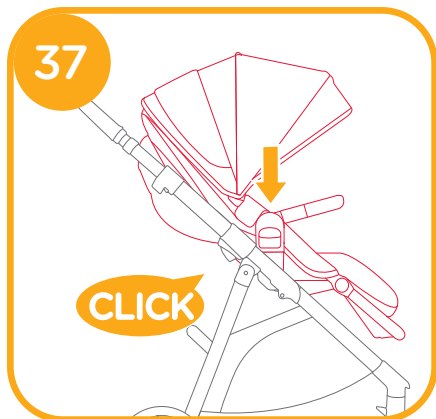
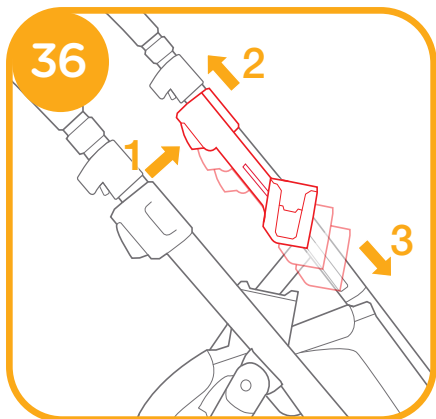
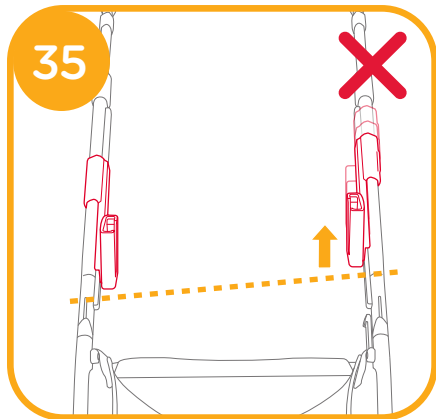
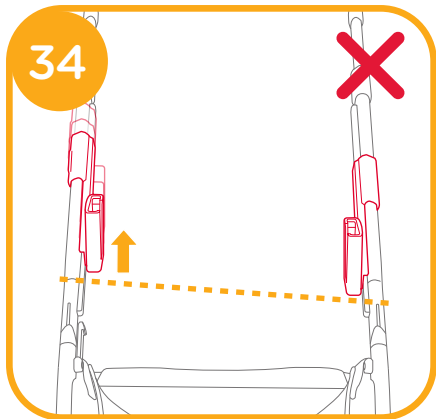




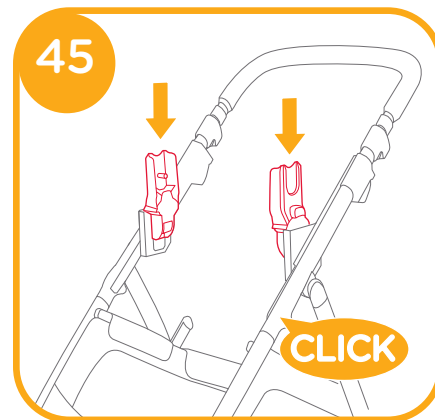
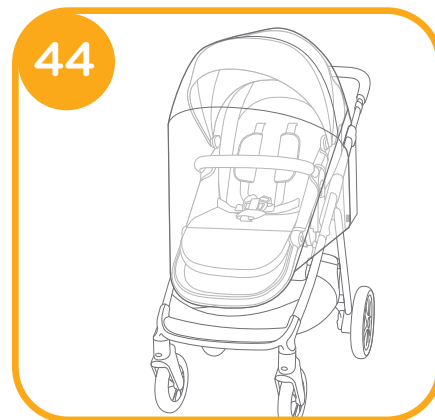
Stroller Operation

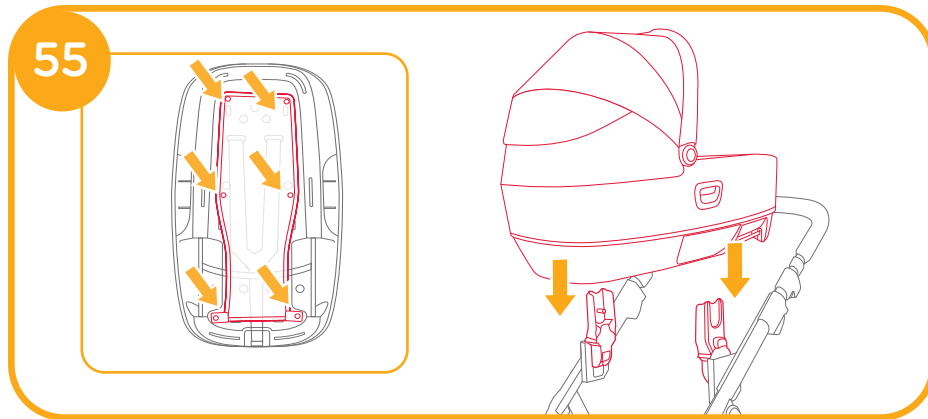
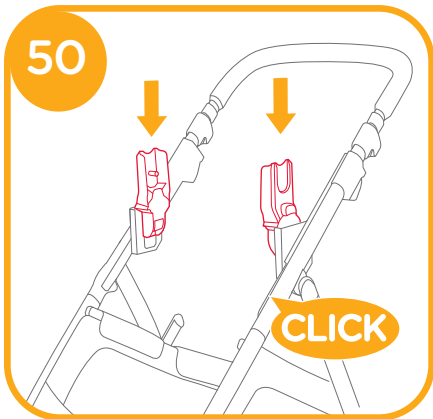
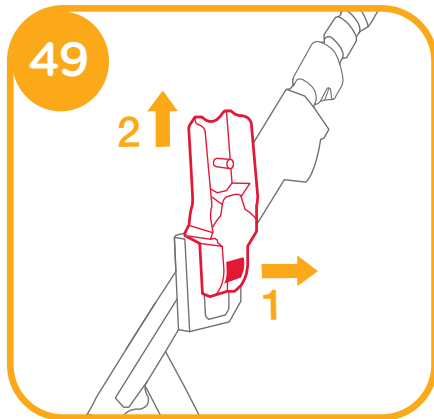
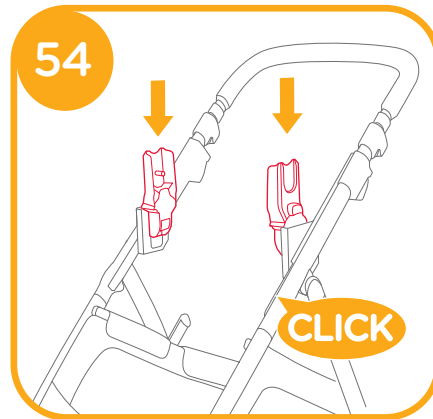
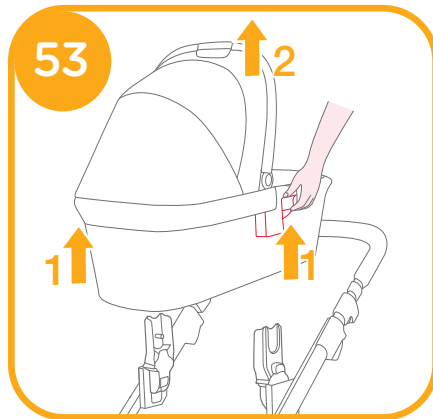
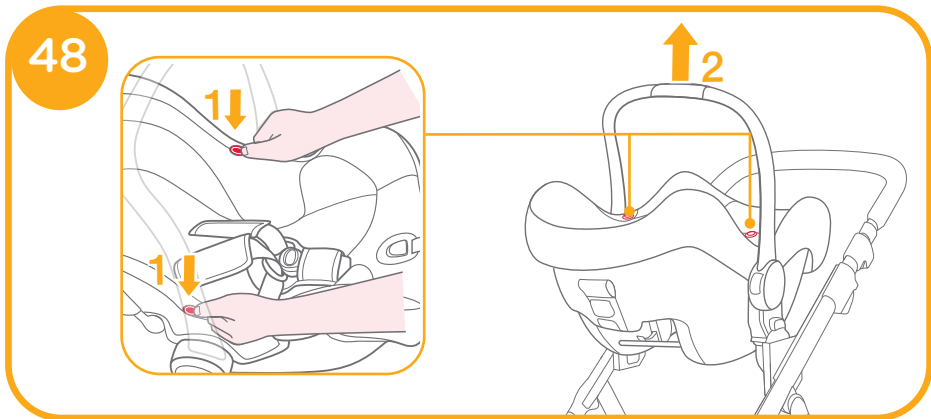
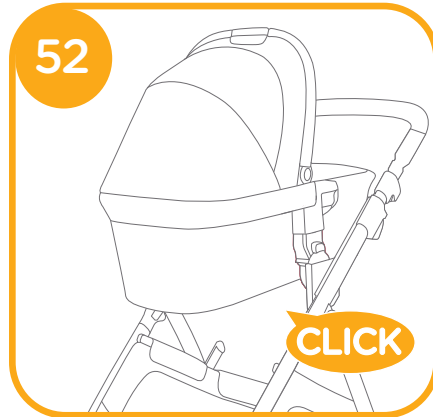
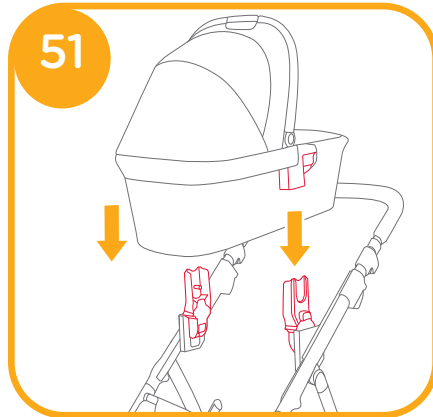
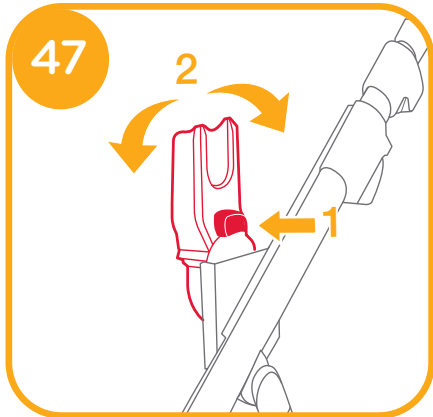
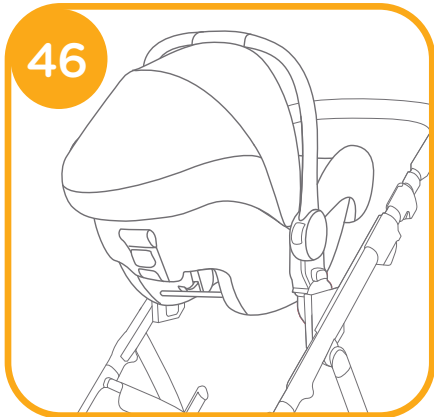


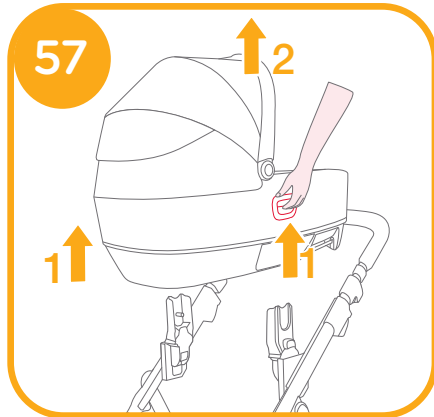
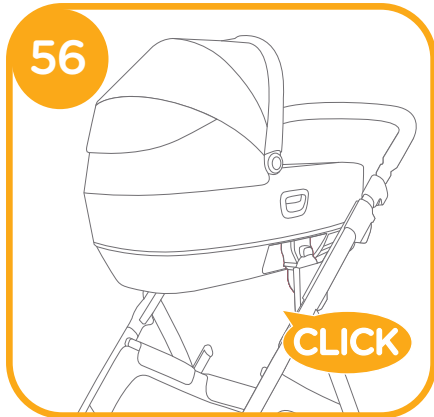




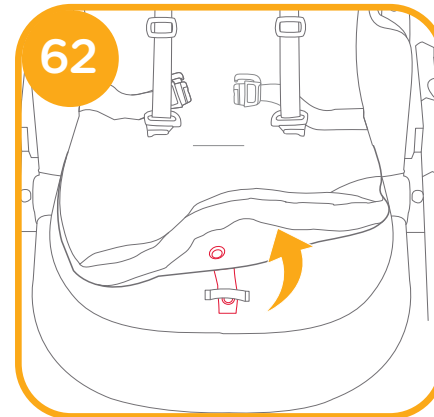
Accessories (May not be included in purchase)
 Accessories may be sold separately or may not be available depending on region.



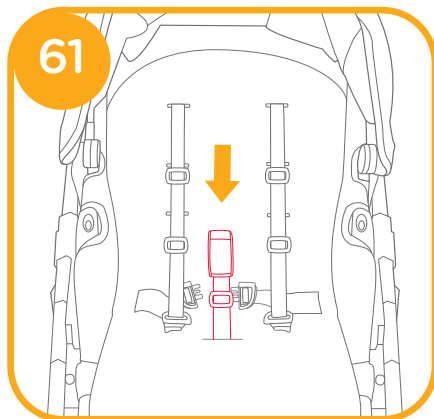
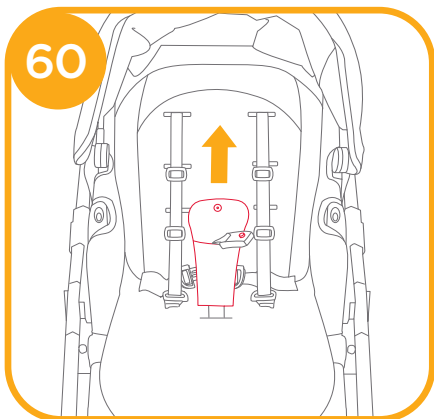
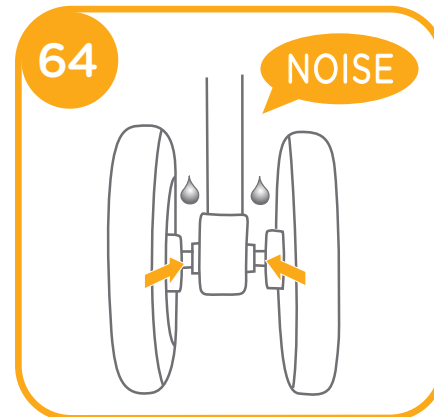
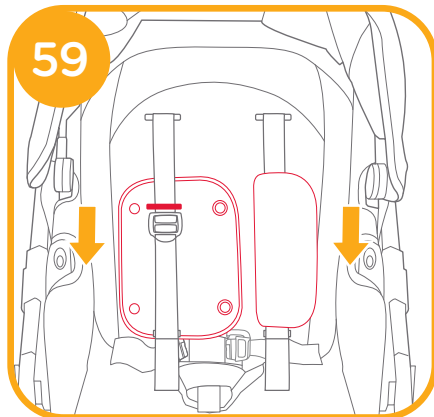
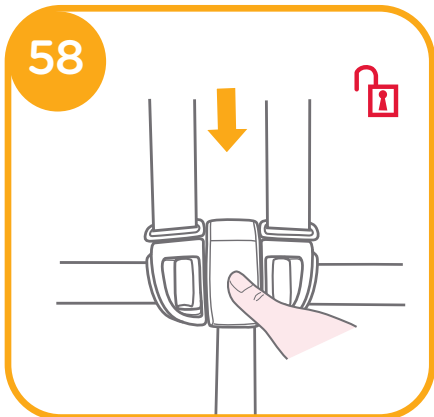
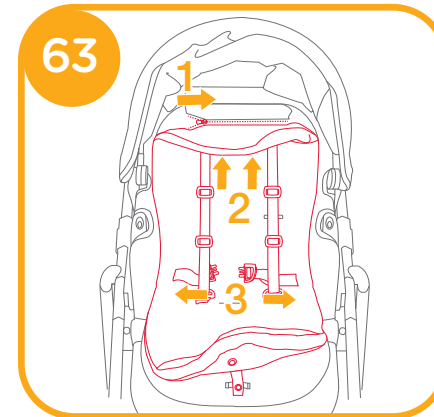




Detach & Assemble Soft Goods



Care and Maintenance



GB Welcome to Joie™

Congratulations on becoming part of the Joie family! We are so excited to be part of your journey with your little one. While traveling with the Joie Alore, you are using a high quality, fully certified stroller, approved to European safety standards EN 1888-2:2018+A1:2022. This product is suitable for children up to 22kg or 4 years whichever comes first. Please carefully read this manual and follow each step to ensure a comfortable ride and best protection for your child.

IMPORTANT - READ CAREFULLY AND KEEP FOR FUTURE REFERENCE.

Visit us at joiebaby.com to download manuals and see more exciting Joie products!

For warranty information, please visit our website at joiebaby.com

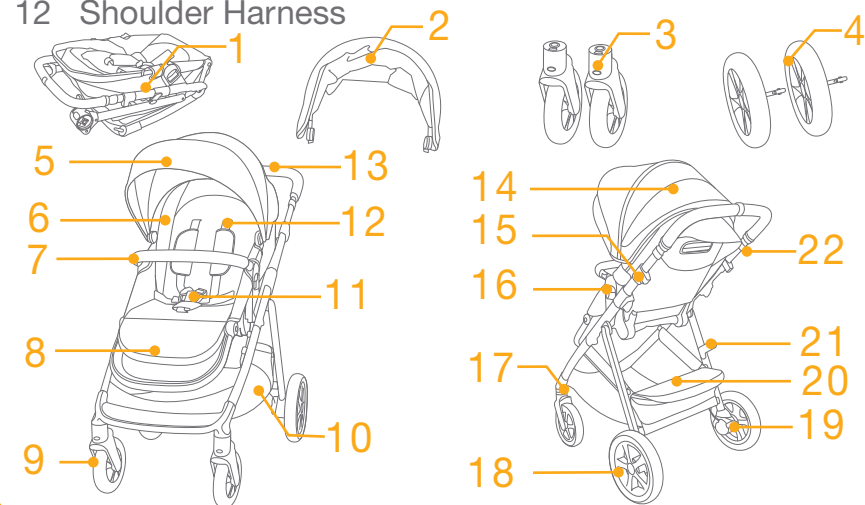
Emergency

In case of emergency or accident, it is most important to have your child taken care of with first aid and medical treatment immediately.

Parts List

Make sure all parts are available before assembly. If any part is missing, please contact local retailer. No tools are required for assembly.

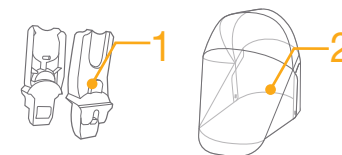
- | | | | |
|----|------------------|----|--------------------------|
| 1 | Stroller Frame | 13 | Handle |
| 2 | Canopy | 14 | Canopy Window |
| 3 | Front Wheel | 15 | Folding Button |
| 4 | Rear Wheel | 16 | Seat Release Button |
| 5 | Canopy | 17 | Swivel Lock |
| 6 | Seat Pad | 18 | Rear Wheel |
| 7 | Armbar | 19 | Brake Lever |
| 8 | Calf Support | 20 | Storage Bag |
| 9 | Front Wheel | 21 | Storage Latch |
| 10 | Storage Basket | 22 | Handle Adjustment Button |
| 11 | Buckle | | |
| 12 | Shoulder Harness | | |



Accessories

(May not be included)

- | | |
|---|--------------------------------|
| 1 | Adapter (on certain models) |
| 2 | Rain cover (on certain models) |



Accessories may be sold separately or may not be available depending on region.

WARNING

- ! Always use the restraint system. Safety belts and restraint systems must be used correctly.
- ! Ensure that all the locking devices are engaged before use.
- ! Do not let the child play with this product.
- ! Check that the pram body or seat unit or car seat attachment devices are correctly engaged before use.
- ! Adult assembly required.
- ! This product is suitable for children up to 22kg or 4 years whichever comes first.
- ! To prevent a hazardous, unstable condition, do not place more than 4.5kg in the storage basket.
- ! Never leave the child unattended. Always keep child in view while in stroller.
- ! Use the stroller with only one child at a time. Never place purses, shopping bags, parcels or accessory items on the handle or canopy.
- ! Accessories which are not approved by the manufacturer shall not be used. Only replacement parts supplied or recommended by the manufacturer shall be used.
- ! Overloading, folding incorrectly, or using component parts from other manufacturers may cause the stroller to be damaged, broken or unsafe. Please read the instruction manual carefully.
- ! Please read all the instructions in the manual before using the product. Please save instruction manual for future use. Failure to follow these warnings and instructions may result in serious injury or death.
- ! To avoid serious injury from falling or sliding out, always use seat belt.
- ! Make sure your child's body is clear from the moving parts when adjusting the stroller.

- ! Be sure the stroller is fully open or folded before allowing child near the stroller.
- ! Child may slip into leg openings and be strangled if the harness is not used.
- ! Never use stroller on stairs or escalators.
- ! Keep away from high temperature objects, liquids, and electronics.
- ! Never allow your child to stand on the stroller or sit in the stroller with head toward front of stroller.
- ! Never place the stroller on roads, slopes or dangerous areas.
- ! To avoid strangulation, DO NOT place items with a string around your child's neck, suspend strings from this product, or attach strings to toys.
- ! Any load attached to the handle and/or on the back of the backrest and/or on the sides of the stroller will affect the stability of the stroller.
- ! DO NOT lift stroller while child is in stroller.
- ! DO NOT use storage basket as a child carrier.
- ! To prevent tipping, never let child climb the stroller. Always lift the child in and out of the stroller.
- ! To avoid finger entrapment, use care when folding and unfolding the stroller.
- ! To avoid injury ensure that the child is kept away when unfolding and folding this product.
- ! To ensure your child's safety, please make sure all parts are assembled and fastened properly before using the stroller.
- ! To avoid strangulation, do make sure your child is clear from the canopy.
- ! Always engage the brakes when parking the stroller.
- ! Discontinue using stroller if it is damaged or broken.

- ! Stroller to be used only at walking speed. This product is not intended for use while jogging.
- ! To avoid suffocation, remove plastic bag and packaging materials before using this product. The plastic bag and packaging materials should then be kept away from babies and children.
- ! This product is not suitable for running or skating.
- ! Pushchair designed to be used from birth shall recommend the use of the most reclined position for new born babies.
- ! The parking device shall be engaged when placing and removing children.
- ! For infant child restraints used in conjunction with a chassis, this stroller does not replace a cot or a bed. Should your child need to sleep, then it should be placed in a suitable pram body, cot or bed.
- ! Carry cot shall not be used, as soon as the child is able to sit by himself, roll over and can push itself up on its hands and knees. Maximum weight of the child: 9kg.
- ! DO NOT use or add any mattress other than the one supplied with the carry cot.
- ! Do not attach items to the handle, seat back or sides of the stroller. Any additional load will affect the stability of the stroller and could cause the stroller to tip.
- ! No additional mattress shall be added unless recommended by the manufacturer.
- ! Please do not fold the frame when the seat is facing rearwards.

Stroller Assembly

(Please refer to figures on page 1-12)

Please read all the instructions in this manual before assembling and using this product.

Open Stroller

see images ① - ③

Separate storage latch from storage mount ①, and then lift the handle upwards ②, a click sound means the stroller is open completely.

! Press the footrest down and reset it. ③ - 1

! Please attach the button under the calf support. ③ - 2

! Check that the stroller is completely latched before continuing to use.

Assemble & Detach Front Wheel

see images ④ - ⑤

Assemble & Detach Rear Wheel

see images ⑥ - ⑧

Assemble Canopy

see images ⑨ - ⑩

Assemble & Detach Armbar

see images ⑪ - ⑫

The completely assembled stroller is shown as ⑬

Stroller Operation

Adjust Backrest

see images ⑭ - ⑮

There are 5 recline angles for the backrest.

Recline Backrest

To recline the backrest, squeeze the recline handle on the back of the seat, pull down on the backrest. ⑭

Raise Backrest

To raise the backrest, push up. ⑮

! Make sure the recline is set properly for use.

! The maximum load of storage pocket on the back of backrest is 0.45kg.

Use Buckle

see images ⑯ - ⑰

Release Buckle

Press the center button to release the buckle. ⑯

Lock Buckle

Match the waist belt buckle with the shoulder buckle ⑰ - 1, and click into the center buckle. ⑰ - 2 A "click" sound means the buckle is locked completely. ⑰ - 3

! To avoid serious injury from falling or sliding out, always secure your child with harness.

! Make sure your child is snugly secured. The space between the child and the shoulder harness is about the thickness of one hand.

! Do not cross the shoulder belts. This will cause pressure on a child's neck.

Use Shoulder & Waist Harnesses

see images 18 - 21

! In order to protect your child from falling out, after your child is placed into the seat, check whether the shoulder and waist harnesses are at proper height and length.

18 - 1 Shoulder harness anchor A

18 - 2 Shoulder harness anchor B

18 - 3 Slide adjuster

For larger child, use shoulder harness anchor A and the highest shoulder slots. For smaller child, use shoulder harness anchor B and the lowest shoulder slots.

! The position of the shoulder belt anchor can be adjusted from above opening which closed by fasteners or below pocket. 18 - 1

To adjust the position of the shoulder harness anchor, turn the anchor to be level with the side facing forward. Thread it through the shoulder harness slot from back to front. 18 Rethread it through the slot that is closest to child's shoulder height. 20

Use slide adjuster to change the harness length. 21 - 1

Press the button 21 - 2, while pulling the waist harness to proper length. 21 - 3

Adjust Calf Support

see images 22 - 23

The calf support has 2 positions.

To raise the calf support, push it upwards. 22 A "click" sound means the calf is locked completely.

To lower calf support, press the adjustment buttons on both sides of the calf support 23 - 1, and rotate the calf support downwards. 23 - 2

Use Front Swivel Lock

see image 24

Front wheel locked or unlocked status as 24.

Tip It is recommended to use swivel locks on uneven surfaces.

Use Brake

see images 25 - 26

To lock wheels, step the brake lever downwards. 25

To release wheels, just lift the brake lever upwards. 26

Tip Always set the parking brake when stroller is not moving.

Use Canopy

see images 27 - 28

The canopy can be opened or folded, pull it toward front or back.

The canopy can be opened completely to protect your child from the sun uttermostly, just unzip the zip 27, and then pull the canopy toward front.

There is a window on the canopy, through which you can view your baby. 28

Adjust Handle

see image 29

The handle has 3 positions.

Adjust Seat Height

see images 30 - 31

The seat has 3 positions.

Pull up the seat to increase the seat height. 30

Press the seat height adjustment buttons and pull up, then push down to decrease the seat height. 31

Switch Seat

see images 32 - 33

The seat can be switched which makes mother and child can face to face with each.

Squeeze the seat release buttons while lifting the seat. Turn the seat to reverse direction and then insert the seat to seat mounts.

Both seat mounts need to be level shown as 33, if the situations shown as 32 & 33 happen, please press the seat height adjustment button and pull up, then push down to decrease the seat height to make sure the both seat mounts to be level. 35

Use Storage Basket

see image 33

To prevent a hazardous, unstable condition, do not place more than 4.5kg in the storage basket and storage bag.

Fold Stroller

see images 40 - 43

! Please fold the canopy before folding the stroller.

Press the folding button and pull up, 40 then rotate the handle downwards, 41 the fold latch can lock automatically. 42

! If the seat is on the lower position, it can slide down while folding the stroller to make sure fold latch lock automatically.

! Please do not fold the frame when the seat is facing rearwards. 43

! Please do not fold the frame when front wheel swivel lock is locked.

! The stroller with forward-facing seat can stand when the handle is in the highest position.

Use Accessories

Accessories may be sold separately or may not be available depending on region.

Use Rain Cover

see image 44

To assemble the rain cover, place it over the seat.

! When using the rain cover, please always check its ventilation.

! When not in use, please check that the rain cover has been cleaned and dried before folding.

! Do not fold the stroller after assembling the rain cover.

! Do not place your child into the stroller assembled with rain cover during hot weather.

Use with Infant Child Restraint

see images 45 - 49

When using with Joie infant child restraint i-Snug 2 & i-Gemm 3 & i-Level Recline & i-Jemini & Gemm, please refer to the following instructions.

! A "click" sound means the adapter is locked completely.

! The infant child restraint angle can be adjusted with our adjustable adapters. 47

! The adapter has 3 positions. Please do not use the product when the baby's head is lower than feet after attached infant child restraint.

! If you have any problems about using the infant child restraint, please refer to their own instruction manuals.

! Please do not fold the stroller when the infant child restraint is still attached.

Use with Joie Ramble, Ramble XL Carry Cot

see images 50 - 53

When using with Joie carry cot ramble, ramble xl, please refer to the following instructions.

- ! If you have any problems about using the carry cot, please refer to their own instruction manuals.
- ! Please do not use the product when the baby's head is lower than feet after attached carry cot.
- ! Always use the mattress when using the carry cot.
- ! Please don't fold stroller when attaching the carry cot.

Use with Joie Calmi Carry Cot

see images 54 - 57

When using with Joie Calmi carry cot, please refer to the following instructions.

- ! A "click" sound means the adapter is locked completely.
- ! Always use the mattress when using the carry cot.
- ! Please check that the mesh at the bottom of the carry cot is properly fixed before installing carry cot
- ! If you have any problems about using the carry cot, please refer to their own instruction manuals.
- ! Please do not fold the stroller when the carry cot is still attached.

Detach & Assemble Soft Goods

see images 58 - 63

1. Remove armbar shown as 12
2. Open the buckle which is on the bottom of seat. 59

To re-assemble seat soft goods, follow the steps above in reverse 63 - 58

Cleaning and Maintenance

see image 64

- ! To clean stroller frame, use only household soap and warm water. No bleach or detergent. Please refer to the care label for instructions on cleaning the fabric parts of the stroller.
- ! Removable soft goods can be washed by machine. No bleach. Do not twist the seat cover and inner padding to dry with great force. It may leave the seat cover and inner padding with wrinkles.
- ! From time to time, check your stroller for loose screws, worn parts, torn material or stitching. Replace or repair the parts as needed. Periodically wipe clean plastic parts with a soft damp cloth. Always dry the metal parts to prevent the formation of rust if the stroller has come into contact with water.
- ! Excessive exposure to sun or heat could cause fading or warping of parts.
- ! If stroller becomes wet, open canopy and allow to dry thoroughly before storing.
- ! If wheels squeak, use a light oil (e.g., Silicon Spray, antirust oil, or sewing machine oil). It is important to get the oil into the axle and wheel assembly. 64
- ! When using your stroller at the beach or other sandy/dusty environments, completely clean your stroller after use to remove sand and salt from mechanisms and wheel assemblies.

PT Bem-vindo à Joie™

Parabéns por se tornar membro da família Joie! Estamos muito satisfeitos por participar na sua aventura com o seu bebé. Quando viaja com o Joie Alore, está a utilizar um carrinho de bebé totalmente certificado e de alta qualidade, aprovado pelas normas de segurança europeias EN 1888-2:2018+A1:2022. Este produto é indicado para crianças com menos de 22 kg ou 4 anos, o que ocorrer primeiro. Leia atentamente este manual e execute todos os passos para garantir uma utilização confortável e a melhor proteção para a criança.

IMPORTANTE - LEIA ATENTAMENTE E GUARDE PARA FUTURA REFERÊNCIA.

Visite-nos em joiebaby.com para transferir os manuais e conhecer outros produtos interessantes da Joie!

Para informações sobre a garantia, visite o nosso Web site em joiebaby.com

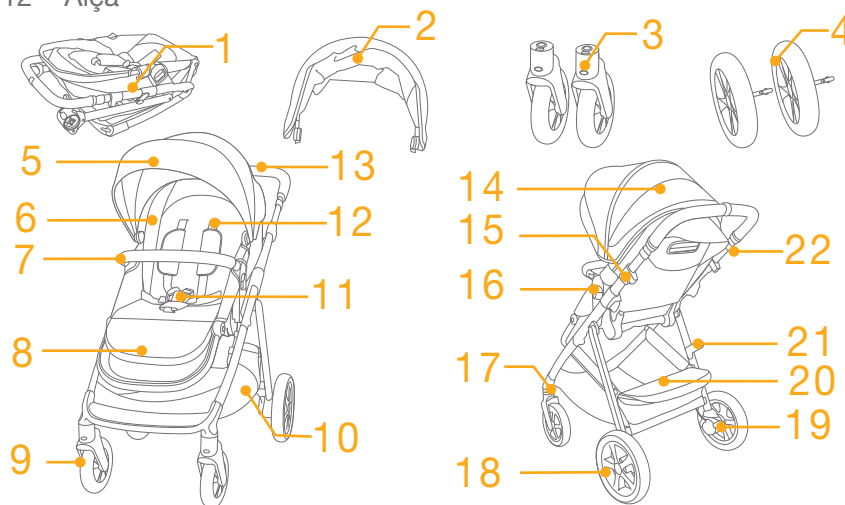
Emergência

Em caso de emergência ou acidente, é importante prestar imediatamente os primeiros socorros e tratamento médico ao seu filho.

Lista de componentes

Certifique-se de que todas as peças estão disponíveis antes da montagem. Se alguma peça estiver em falta, contacte o revendedor local. Não são necessárias ferramentas para a montagem.

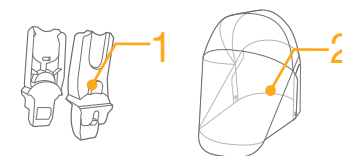
- | | | | |
|----|-------------------------------|----|---------------------------------|
| 1 | Estrutura do carrinho de bebé | 13 | Pega |
| 2 | Cobertura | 14 | Janela da cobertura |
| 3 | Roda dianteira | 15 | Botão de fecho |
| 4 | Roda traseira | 16 | Botão de desbloqueio da cadeira |
| 5 | Cobertura | 17 | Bloqueio giratório |
| 6 | Capa de tecido acolchoado | 18 | Roda traseira |
| 7 | Barra de proteção frontal | 19 | Alavanca do travão |
| 8 | Apoio da perna | 20 | Saco de armazenamento |
| 9 | Roda dianteira | 21 | Trinco de armazenamento |
| 10 | Cesto de armazenamento | 22 | Botão de ajuste da pega |
| 11 | Fivela | | |
| 12 | Alça | | |



Acessórios

(podem não estar incluídos)

- 1 Adaptador (em determinados modelos)
- 2 Capa impermeável (em determinados modelos)



Os acessórios podem ser vendidos separadamente ou podem não estar disponíveis dependendo da região.

AVISO

- ! Utilize sempre o sistema de retenção. Os cintos de segurança e os sistemas de retenção devem ser utilizados corretamente.
- ! Certifique-se de que os dispositivos de bloqueio estão acionados antes de utilizar a alcafa.
- ! Não deixe a criança brincar com este produto.
- ! Verifique se o corpo do carrinho de bebê, a unidade de assento ou os dispositivos de encaixe da cadeira auto estão devidamente encaixados antes de utilizar o produto.
- ! A montagem deverá ser efetuada por adultos.
- ! Este produto é indicado para crianças com menos de 22 kg ou 4 anos, o que ocorrer primeiro.
- ! Para evitar condições perigosas e instáveis, não coloque mais de 4,5 kg no cesto de armazenamento.
- ! Nunca deixe a criança sem supervisão. Mantenha sempre a criança sob a sua supervisão enquanto estiver no carrinho de bebê.
- ! Utilize o carrinho de bebê com apenas uma criança de cada vez. Nunca coloque bolsas, sacos de compras, embalagens ou acessórios na pega ou cobertura.
- ! Não utilize acessórios que não sejam aprovados pelo fabricante. Utilize apenas peças fornecidas e recomendadas pelo fabricante.
- ! A sobrecarga, fecho incorreto e utilização de peças de outros fabricantes podem danificar, quebrar ou tornar o carrinho de bebê inseguro. Leia atentamente o manual de instruções.
- ! Leia todas as instruções neste manual antes de utilizar o produto. Guarde este manual de instruções para utilização futura. O incumprimento dos avisos e instruções pode resultar em lesões graves ou morte.
- ! Para evitar lesões graves devido a quedas ou deslizamentos, utilize sempre o cinto de segurança.
- ! Certifique-se de que o corpo da criança não está em contacto com as partes móveis ao ajustar o carrinho de bebê.

- ! Certifique-se de que o carrinho de bebê está totalmente aberto ou dobrado antes de deixar a criança perto do carrinho.
- ! Se não utilizar as alças, a criança pode escorregar pelas aberturas das pernas e sufocar.
- ! Nunca utilize o carrinho de bebê em escadas rolantes ou convencionais.
- ! Mantenha o produto afastado de objetos a altas temperaturas, líquidos e dispositivos eletrônicos.
- ! Nunca deixe a criança colocar-se de pé no carrinho de bebê ou sentar-se com a cabeça virada para a frente do carrinho.
- ! Nunca coloque o carrinho de bebê em estradas, declives ou áreas perigosas.
- ! Para evitar o estrangulamento, NÃO coloque artigos com fios à volta do pescoço da criança, pendure fios neste produto, ou ate fios a brinquedos.
- ! Qualquer carga colocada sobre a pega e/ou na traseira do apoio das costas e/ou nas laterais do veículo podem afetar a estabilidade do mesmo.
- ! NÃO eleve o carrinho enquanto a criança estiver lá dentro.
- ! NÃO utilize o cesto de armazenamento como transportador.
- ! Nunca deixe a criança trepar o carrinho de bebê, sob o risco de o derrubar. Seja sempre você a retirar e a colocar a criança no carrinho de bebê.
- ! Para evitar apertar os dedos, tenha cuidado ao dobrar e desdobrar o carrinho de bebê.
- ! Para evitar lesões, assegure-se de que mantém a criança afastada ao dobrar e desdobrar este produto.
- ! Para assegurar a segurança da criança, certifique-se de que todas as peças estão montadas e firmemente apertadas antes de utilizar o carrinho de bebê.
- ! Para evitar o risco de estrangulamento, certifique-se de que a criança está afastada da cobertura.
- ! Acione sempre os travões quando parar o carrinho de bebê.
- ! Interrompa a utilização do carrinho de bebê caso este esteja danificado ou quebrado.

- ! O carrinho de bebé deve ser utilizado apenas em velocidade de passeio. Este produto não se destina a ser utilizado em corrida.
- ! Para evitar risco de asfixia, retire o saco de plástico e os materiais de embalagem antes de utilizar este produto. O saco de plástico e os materiais de embalagem devem ser afastados de bebés e crianças.
- ! Este produto não é adequado para correr ou patinar.
- ! No caso de recém-nascidos, recomenda-se que utilize a cadeira na posição mais reclinada possível.
- ! O dispositivo de travagem deve ser acionado ao colocar e remover a criança.
- ! Para os dispositivos de retenção utilizados em conjunto com a estrutura do carrinho de bebé, o carrinho não substitui um berço ou cama. Se a criança precisar de dormir, coloque-a na alfofa, berço ou cama apropriados.
- ! A alfofa não deve ser utilizada a partir do momento que a criança conseguir sentar-se sozinha, rolar e levantar-se apoiando-se nas mãos e nos joelhos. Peso máximo da criança: 9 kg.
- ! NÃO utilize ou adicione outro colchão além do fornecido com a alfofa.
- ! Não coloque itens na pega, encosto ou nas laterais do carrinho. Qualquer carga adicional afetará a estabilidade do carrinho e poderá fazer com que o carrinho tombe.
- ! Não serão fornecidos colchões adicionais, a menos que seja recomendado pelo fabricante.
- ! Não dobre a estrutura do carrinho com a cadeira virada para trás.

Montagem do carrinho de bebé

(Consulte as figuras na página 1-12)

Leia atentamente todas as instruções neste manual antes de instalar e utilizar este produto.

Abrir o carrinho de bebé

ver imagens 1 - 3

Separe o trinco de armazenamento do suporte de armazenamento 1, e depois levante a pega 2, o som de um "clique" significa que o carrinho está completamente aberto.

! Empurre o apoio para os pés para baixo e reposicione-o. 3 - 1

! Prenda o botão sob o apoio da perna. 3 - 2

! Verifique se o carrinho está completamente travado antes de continuar a utilizar.

Montagem e remoção da roda dianteira

ver imagens 4 - 5

Montagem e remoção da roda traseira

ver imagens 6 - 8

Montagem da cobertura

ver imagens 9 - 10

Montagem e remoção da barra de proteção

ver imagens 11 - 12

A ilustração apresenta o carrinho totalmente montado. 13

Operação do carrinho de bebé

Ajuste do apoio das costas

ver imagens 14 - 15

O apoio das costas apresenta 5 ângulos de reclinção.

Reclinar o apoio das costas

Para reclinar o apoio das costas, aperte o punho reclinável na parte de trás do banco e puxe o apoio das costas para baixo. 14

Elevar o apoio das costas

Para elevar, empurre para cima. 15

! Certifique-se de que a reclinção está corretamente definida.

! A carga máxima do bolso de armazenamento na parte traseira é de 0,45 kg.

Utilizar a fivela

ver imagens 16 - 17

Soltar a fivela

Pressione o botão central para soltar a fivela. 16

Bloquear a fivela

Junte a fivela do cinto com a fivela de ombro 17 - 1, e encaixe na fivela central. 17 - 2 O som de um "clique" significa que a fivela está corretamente encaixada. 17 - 3

! Para evitar lesões graves como consequência de quedas ou deslizos, prenda sempre a criança com as alças.

! Certifique-se de que a criança está segura e confortável. O espaço entre a criança e as alças tem a espessura aproximada de uma mão.

! Não cruze as correias dos ombros. Ao fazê-lo, estará a pressionar o pescoço da criança.

Utilizar a alça e cinto subabdominal

ver imagens 18 - 21

! Para proteger o seu filho de cair, depois de colocar o seu filho no assento, verifique se a alça e o cinto subabdominal estão na altura e comprimento adequados.

18 - 1 Fixação da alça A

18 - 2 Fixação da alça B

18 - 3 Regulador deslizante

Para crianças maiores, utilize a alça A e as ranhuras para ombro mais altas. No caso de crianças mais pequenas, utilize a alça B e as ranhuras para ombro mais baixas.

! A posição da alça pode ser ajustada a partir da abertura superior que é fechada por fixadores ou do bolso inferior. 18 - 1

Para ajustar a posição da alça, rode a âncora para nivelar com o lado virado para a frente. Enfie-o pela ranhura para alça de trás para a frente. 18 Reposicione-o pela ranhura mais próxima da altura do ombro da criança. 20

Utilize o regulador deslizante para alterar o comprimento do arnês. 21 - 1

Pressione o botão 21 - 2, enquanto puxa o cinto subabdominal para o comprimento adequado. 21 - 3

Ajustar o apoio da perna

ver imagens 22 - 23

O apoio da perna tem 2 posições.

Para elevar o apoio da perna, empurre-o para cima. 22 O som de um "clique" significa que a perna está corretamente encaixada.

Para baixar o apoio da perna, pressione os botões de ajuste em ambos os lados do apoio da perna 23 - 1 e rode o apoio da perna para baixo. 23 - 2

Utilizar o bloqueio giratório dianteiro

ver imagem 24

O estado de bloqueio ou desbloqueio das rodas é obtido conforme ilustrado em 24.

Ponta Recomenda-se a utilização dos bloqueios giratórios em superfícies irregulares.

Utilizar o travão

ver imagens 25 - 26

Para bloquear as rodas, pise a alavanca do travão para baixo. 25

Para soltar as rodas, basta elevar a alavanca do travão para cima. 26

Ponta Acione sempre o travão de estacionamento quando o carrinho não está a mover.

Utilizar a cobertura

ver imagens 27 - 28

A cobertura pode ser aberta ou dobrada, puxe-a para a frente ou para trás.

A cobertura pode ser aberta completamente para proteger a sua criança do sol, basta abrir o fecho 27 e depois puxar a cobertura para a frente.

A cobertura possui uma janela, através da qual pode ver a criança. 28

Ajustar a pega

ver imagem 29

A pega possui 3 posições.

Ajustar a altura do assento

Ver imagens 30 - 31

A cadeira possui 3 posições.

Puxe pela cadeira para aumentar a altura. 30

Pressione os botões de ajuste de altura e puxe pela cadeira. Em seguida, pressione para diminuir a altura da cadeira. 31

Trocar a cadeira

Ver imagens 32 - 33

É possível mudar a orientação da cadeira, ficando a criança e a mãe voltadas uma para a outra.

Pressione os botões de desbloqueio da cadeira e levante-a. Vire a cadeira para inverter a direção e, em seguida, introduza a cadeira nos suportes da mesma.

Ambos os suportes necessitam de estar nivelados conforme exibido em 33. Se verificar as situações apresentadas em 34 e 35, pressione o botão de ajuste da altura da cadeira e puxe. Em seguida, pressione para diminuir a altura da cadeira e garantir que ambos os suportes estão nivelados. 35

Utilizar o cesto de armazenamento

ver imagem 36

Para evitar condições perigosas e instáveis, não coloque mais de 4,5 kg no cesto de armazenamento e na bolsa de armazenamento.

Dobrar o carrinho de bebé

ver imagens 40 - 43

! Dobre a cobertura antes de dobrar o carrinho de bebé.

Pressione o botão de fecho e puxe, 40. Em seguida, rode a pega para baixo, 41. O trinco de fecho irá bloquear automaticamente. 42

! Se a cadeira estiver na posição inferior, pode deslizar para baixo enquanto dobra o carrinho de bebé para garantir que o trinco de fecho bloqueia automaticamente.

! Não dobre a estrutura do carrinho com a cadeira virada para trás. 43

! Não dobre a estrutura do carrinho quando o bloqueio giratório da roda dianteira estiver bloqueado.

! O carrinho de bebé com a cadeira virada para a frente pode ficar em pé quando a pega está na posição mais alta.

Utilizar acessórios

Os acessórios podem ser vendidos separadamente ou podem não estar disponíveis dependendo da região.

Utilizar capa impermeável

ver imagem 44

Para instalar a capa impermeável, coloque-a sobre a cadeira.

! Ao utilizar a capa impermeável, verifique sempre a sua ventilação.

! Quando não estiver em utilização, verifique se a capa impermeável foi limpa e seca antes de a dobrar.

! Não dobre o carrinho de bebé depois de instalar a capa impermeável.

! Não coloque a criança no carrinho de bebé com a capa impermeável instalada durante o tempo quente.

Utilizar com dispositivo de retenção para crianças

ver imagens 45 - 49

Ao utilizar com o dispositivo de retenção para crianças i-Snug 2 & i-Gemm 3 & i-Level Recline & i-Jemini & Gemm, consulte as instruções seguintes.

! O som de um "clique" significa que o adaptador está corretamente encaixado.

! O ângulo do dispositivo de retenção para crianças pode ser ajustado com os nossos adaptadores ajustáveis. 47

! O adaptador possui 3 posições. Não utilize o produto se a cabeça da criança estiver numa posição inferior à dos pés depois de colocar o dispositivo de retenção para crianças.

! Se tiver algum problema ao utilizar o sistema de retenção para crianças, consulte os manuais de instruções deles.

! Não dobre o carrinho de bebé com o sistema de retenção para crianças ainda encaixado.

Utilizar com a alcofa Joie Ramble, Ramble XL

ver imagens 50 - 53

Ao utilizar a alcofa Joie ramble, ramble xl, consulte as seguintes instruções.

- ! Se tiver algum problema ao utilizar a alcofa, consulte os manual de instruções da mesma.
- ! Não utilize o produto se a cabeça da criança estiver numa posição inferior à dos pés depois de colocar a alcofa.
- ! Utilize o colchão sempre que utiliza a alcofa.
- ! Não dobre o carrinho de bebé ao encaixar a alcofa.

Utilizar com a alcofa Joie Calmi

ver imagens 54 - 57

Quando utilizar a alcofa Joie Calmi, consulte as seguintes instruções.

- ! O som de um "clique" significa que o adaptador está corretamente encaixado.
- ! Utilize o colchão sempre que utiliza a alcofa.
- ! Certifique-se de que a rede na parte inferior da alcofa está devidamente fixada antes de instalar a alcofa.
- ! Se tiver algum problema ao utilizar a alcofa, consulte os manual de instruções da mesma.
- ! Não dobre o carrinho de bebé com a alcofa ainda encaixada.

Retirar e montar a capa de tecido acolchoado

ver imagens 58 - 60

1. Remova a barra de proteção conforme exibido 12
2. Abra a fivela que se encontra na parte inferior do assento. 58

Para instalar novamente a capa de tecido acolchoado, siga os passos acima em ordem inversa 59 - 60

Limpeza e manutenção

ver imagem 64

- ! Para limpar a estrutura do carrinho de bebé, utilize apenas sabão e água quente. Não utilizar lixívia ou detergente. Consulte as instruções de limpeza na etiqueta das peças de tecido do carrinho de bebé.
- ! Capas de tecido removíveis podem ser lavadas à máquina. Sem lixívia. Não torça as capas de tecido acolchoado e o revestimento interno para os secar rapidamente. Poderá originar vincos na capa e no acolchoado interior.
- ! Verifique periodicamente se o carrinho de bebé tem parafusos desapertados, peças desgastadas, materiais ou costuras rasgados. Substitua ou repare as peças, conforme necessário. Limpe periodicamente as peças de plástico limpas com um pano macio e húmido. Seque sempre as partes metálicas para evitar a formação de ferrugem se o carrinho entrar em contacto com a água.
- ! A exposição excessiva ao sol ou calor poderá causar o desvanecimento das cores ou a deformação das peças.
- ! Se o carrinho ficar molhado, abra a cobertura e deixe secar completamente antes de guardar.
- ! Se as rodas rangem, utilize um óleo leve (por exemplo, spray de silicone, óleo antiferrugem ou óleo de máquina de costura). É importante colocar o óleo no conjunto do eixo e da roda. 65
- ! Se utilizar o carrinho de bebé na praia ou em ambientes poeirentos/areia, limpe totalmente o carrinho de bebé após a sua utilização para remover a areia e o sal dos mecanismos e dos componentes das rodas.

ES Bienvenido a Joie™

¡Enhorabuena por unirse a la familia Joie! Estamos encantados de formar parte de su viaje y del de su pequeño. Mientras viaja con Joie Alore, está utilizando un cochecito de alta calidad, totalmente certificado, aprobado conforme a las normas de seguridad europeas EN 1888-2:2018+A1:2022. Este producto es adecuado para niños de hasta 22 kg 4 años, lo que ocurra primero. Lea detenidamente este manual y siga cada paso para garantizar que su bebé viaje cómodamente y esté protegido de la mejor manera posible.

IMPORTANTE: LEER DETENIDAMENTE Y CONSERVAR PARA FUTURAS CONSULTAS.

¡Visítenos en joiebaby.com para descargar manuales y conocer otros fantásticos productos de Joie!

Para obtener información sobre la garantía, visite nuestro sitio web en joiebaby.com.

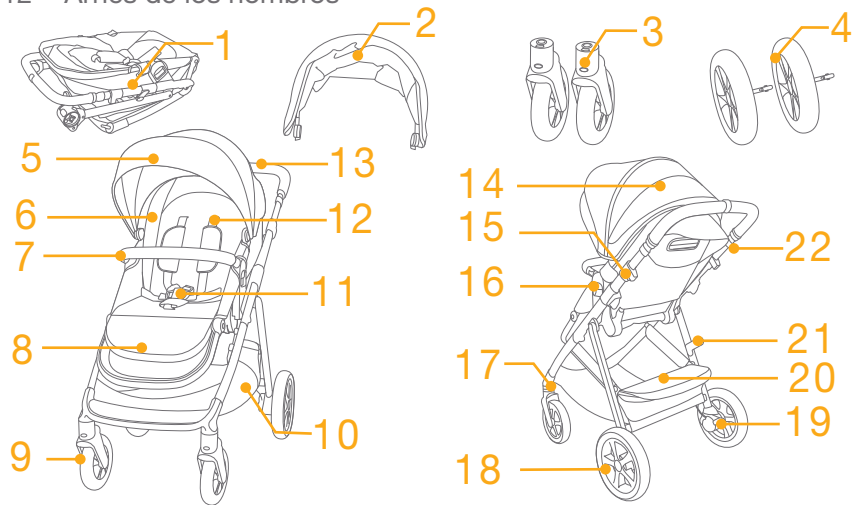
Emergencia

En caso de emergencia o accidente, es muy importante que su bebé reciba primeros auxilios y tratamiento médico de inmediato.

Lista de piezas

Asegúrese de que están disponibles todas las piezas antes de montar el producto. Si falta alguna pieza, póngase en contacto con su proveedor local. No se necesita ninguna herramienta para el montaje.

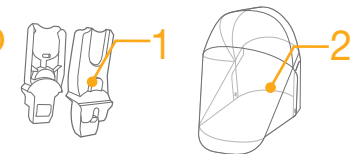
- | | | | |
|----|-------------------------------|----|----------------------------------|
| 1 | Estructura del cochecito | 13 | Manillar |
| 2 | Capota | 14 | Ventana de la capota |
| 3 | Rueda delantera | 15 | Botón de plegado |
| 4 | Rueda trasera | 16 | Botón de desbloqueo del asiento |
| 5 | Capota | 17 | Bloqueo de las ruedas giratorias |
| 6 | Acolchado del asiento | 18 | Rueda trasera |
| 7 | Reposabrazos | 19 | Palanca del freno |
| 8 | Soporte para las pantorrillas | 20 | Bolsa de almacenamiento |
| 9 | Rueda delantera | 21 | Cierre de almacenamiento |
| 10 | Cesta de almacenamiento | 22 | Botón de ajuste del manillar |
| 11 | Hebilla | | |
| 12 | Arnés de los hombros | | |



Accesorios

(es posible que no estén incluidos)

- 1 Adaptador (en algunos modelos)
- 2 Cubierta impermeable (en algunos modelos)



Es posible que los accesorios se vendan por separado o no estén disponibles, dependiendo de la región.

ADVERTENCIA

- ! Utilice siempre el sistema de sujeción. Los cinturones de seguridad y los sistemas de sujeción se deben utilizar correctamente.
- ! Asegúrese de que todos los dispositivos de bloqueo están bloqueados antes de usarlos.
- ! No deje que el niño juegue con este producto.
- ! Asegúrese de que los dispositivos colocados en el capazo, en la hamaca o en el portabebés están bien sujetos antes de utilizar el producto.
- ! El montaje solo podrá ser realizado por personas adultas.
- ! Este producto es adecuado para niños de hasta 22 kg 4 años, lo que ocurra primero.
- ! Para evitar riesgos y la inestabilidad del producto, no deberá colocar objetos que sumen en total un peso superior a 4,5 kg en la cesta de almacenamiento.
- ! Nunca deje al bebé desatendido. Vigílelo en todo momento mientras esté montado en el cochecito.
- ! No utilice el cochecito para transportar a más de un niño a la vez. Nunca coloque bolsos, bolsas de la compra, paquetes ni ningún otro objeto en el manillar ni en la capota.
- ! No utilice accesorios que no estén aprobados por el fabricante. Utilice únicamente las piezas de recambio proporcionadas o recomendadas por el fabricante.
- ! Si lo sobrecarga, lo pliega incorrectamente o lo utiliza con piezas de otros fabricantes, el cochecito podría sufrir daños, romperse o dejar de ser seguro. Lea el manual de instrucciones detenidamente.
- ! Lea todas las instrucciones incluidas en el manual antes de utilizar el producto. Guarde este manual de instrucciones para futuras consultas. Si no sigue estas advertencias e instrucciones, podrían producirse graves lesiones o, incluso, la muerte.
- ! Para evitar lesiones graves como consecuencia de caídas o resbalones, mantenga al niño sujeto con el arnés en todo momento.

- ! Asegúrese de mantener a los niños alejados de las partes móviles cuando realice ajustes en el cochecito.
- ! Asegúrese de que el cochecito está totalmente abierto o plegado antes de permitir que el niño se acerque a él.
- ! El niño podría resbalarse por las aberturas para las piernas y estrangularse si no está sujeto con el arnés.
- ! Nunca utilice el cochecito en escaleras convencionales o mecánicas.
- ! Manténgalo alejado de objetos a altas temperaturas, líquidos y aparatos electrónicos.
- ! Nunca deje que su hijo se ponga de pie sobre el cochecito ni se siente en él con la cabeza orientada hacia adelante del cochecito.
- ! Nunca coloque el cochecito en carreteras, cuestas o zonas peligrosas.
- ! Para evitar el riesgo de estrangulamiento, NO coloque objetos con cordones alrededor del cuello del niño, no deje que cuelguen cordones de este producto ni ate los cordones a ningún juguete.
- ! Si cuelga algún objeto del manillar, de la parte trasera del respaldo o de los laterales del cochecito, la estabilidad de este se verá afectada.
- ! NO levante el cochecito mientras el niño esté montado en él.
- ! NO utilice la cesta de almacenamiento como portabebés.
- ! Para evitar que pueda volcar, nunca permita que el niño trepe por el cochecito. Siempre suba y baje al niño del cochecito.
- ! Tenga cuidado de no pillarse los dedos cuando pliegue y despliegue el cochecito.
- ! Para evitar lesiones, asegúrese de que su hijo está alejado del producto cuando lo pliegue y lo despliegue.
- ! Para garantizar la seguridad del niño, asegúrese de que todas las piezas están montadas y bien sujetas antes de utilizar el cochecito.
- ! Para evitar el riesgo de estrangulamiento, asegúrese de que su hijo se mantiene alejado de la capota.
- ! Accione siempre los frenos cuando aparque el cochecito.
- ! Deje de utilizar el cochecito si presenta daños o roturas.

- ! El cochecito solo se debe utilizar a una velocidad de paseo. Este producto no es adecuado para utilizarlo mientras corre.
- ! Para evitar el riesgo de asfixia, retire la bolsa de plástico y los materiales de embalaje antes de utilizar este producto. A continuación, deberá mantener la bolsa de plástico y los materiales de embalaje fuera del alcance de bebés y niños.
- ! Este producto no es adecuado para correr ni patinar.
- ! En el caso de los recién nacidos, le recomendamos que el asiento diseñado para utilizarse desde el nacimiento lo coloque en la posición lo más reclinada posible.
- ! El dispositivo de estacionamiento deberá estar accionado cuando coloque y retire al niño.
- ! En el portabebés que se utilice con este chasis, este cochecito no sustituye a una cuna ni una cama. Si su hijo necesita dormir, deberá colocarlo sobre una cuna, una cama o un capazo adecuado.
- ! El capazo no se utilizará en el momento en el que el niño pueda sentarse solo, darse la vuelta y pueda incorporarse sobre las manos y las rodillas. Peso máximo del niño: 9 kg.
- ! NO la utilice con ningún colchón (ni añada ningún otro) que no sea el que se incluye con el capazo.
- ! No coloque objetos en el manillar, el respaldo o los lados del cochecito. Cualquier carga adicional afectará la estabilidad del cochecito y podría provocar que este se vuelque.
- ! No se agregará ningún colchón adicional a menos que lo recomiende el fabricante.
- ! No pliegue la estructura cuando el asiento esté orientado hacia atrás.

Montaje del cochecito

(Consulte las figuras de la página 1-12)

Lea todas las instrucciones incluidas en este manual antes de montar y utilizar este producto.

Abrir el cochecito

consulte las imágenes 1 - 3

Separe el cierre de almacenamiento del soporte de almacenamiento 1 y, a continuación, levante el manillar hacia arriba 2. El sonido de un clic le indicará que el cochecito está completamente abierto.

! Presione el reposapiés hacia abajo y restablézcalo. 3 - 1

! Coloque el botón debajo del soporte para las pantorrillas. 3 - 2

! Asegúrese de que el cochecito está completamente bloqueado antes de continuar utilizándolo.

Montaje y desmontaje de la rueda delantera

consulte las imágenes 4 - 5

Montaje y desmontaje de la rueda trasera

consulte las imágenes 6 - 8

Montaje de la capota

consulte las imágenes 9 - 10

Montaje y desmontaje del reposabrazos

consulte las imágenes 11 - 12

El cochecito completamente montado aparece en la imagen 13

Funcionamiento del cochecito

Ajuste del respaldo

consulte las imágenes 14 - 15

El respaldo puede colocarse en 5 ángulos de reclinación.

Reclinar el respaldo

Para reclinar el respaldo, presione el asa de reclinación de la parte posterior del asiento y empuje el respaldo hacia abajo. 14

Levantamiento del respaldo

Para subir el respaldo, levántelo. 15

! Asegúrese de que ajusta la reclinación de forma adecuada para su uso.

! La carga máxima del bolsillo para accesorios A y B es de 0,45 kg.

Uso de la hebilla

consulte las imágenes 16 - 17

Desbloquear la hebilla

Pulse el botón central para desbloquear la hebilla. 16

Bloquear la hebilla

Alinee la hebilla del cinturón de la cintura con la hebilla de los hombros 17 - 1, y encájelas en la hebilla central hasta que escuche un clic. 17 - 2 El sonido de un "clic" le indicará que la hebilla está completamente bloqueada. 17 - 3

! Con el fin de evitar lesiones graves como consecuencia de caídas o resbalones, mantenga al niño sujeto con el arnés en todo momento.

! Asegúrese de que su hijo quede cómodamente sujeto. Cerciórese de que el espacio entre el niño y el arnés de los hombros sea el del grosor de una mano más o menos.

! No cruce los cinturones de los hombros. Si lo hace, podría presionar el cuello del niño.

Uso de los arneses de los hombros y la cintura

consulte las imágenes 18 - 21

! Con el fin de proteger al niño contra caídas, después de colocarlo en el asiento, compruebe si la altura y el largo de los arneses de los hombros y la cintura son los adecuados.

18 - 1 Anclaje A del arnés de los hombros

18 - 2 Anclaje B del arnés de los hombros

18 - 3 Ajuste deslizante

Para los niños más altos, utilice el gancho A del arnés de los hombros y las ranuras de los hombros más altas. Para los niños más pequeños, utilice el gancho B del arnés de los hombros y las ranuras de los hombros más bajas.

! La posición del anclaje del arnés para los hombros se puede ajustar desde la abertura superior, que se cierra mediante cierres rápidos, o desde debajo del bolsillo. 19 - 1

Para ajustar la posición del gancho del arnés de los hombros, gire el gancho para alinearlos con la parte que está orientada hacia adelante. Enhébrele por la ranura del arnés de los hombros de atrás hacia adelante. 19 Vuelva a enhebrarlo por la ranura que esté más cerca de la altura de los hombros del niño. 20

Utilice el ajuste deslizante para cambiar la longitud del arnés. 21 - 1

Presione el botón 21 - 2 y tire al mismo tiempo del arnés de la cintura hasta que la longitud sea la adecuada. 21 - 3

Ajuste del soporte para las pantorrillas

consulte las imágenes 22 - 23

Se puede colocar el soporte para las pantorrillas en 2 posiciones distintas.

Para elevar el soporte para las pantorrillas, tire de él hacia arriba. 22 Cuando oiga un "clic" significará que el soporte para las pantorrillas está bloqueado completamente.

Para bajar el soporte para las pantorrillas, presione los botones de ajuste ubicados a ambos lados de dicho soporte 23 - 1 y gire este hacia abajo. 23 - 2

Uso del bloqueo de las ruedas giratorias delanteras

Consulte la imagen 24

Estado de la rueda delantera bloqueada o desbloqueada como 24.

Consejo Se recomienda utilizar los bloqueos de las ruedas giratorias sobre las superficies irregulares.

Uso del freno

consulte las imágenes 25 - 26

Para bloquear las ruedas, pise sobre la palanca del freno empujándola hacia abajo. 25

Para desbloquear las ruedas, simplemente levante la palanca del freno hacia arriba. 26

Consejo Accione siempre el freno de estacionamiento cuando el cochecito no se esté moviendo.

Uso de la capota

consulte las imágenes 27 - 28

La capota puede abrirse o plegarse tirando de ella hacia delante o hacia atrás.

La capota se puede abrir completamente para proteger al niño del sol lo máximo posible. Basta con abrir la cremallera 27 y tirar de la capota hacia delante.

La capota incorpora una ventana a través de la cual puede ver a su bebé. 28

Ajuste del manillar

Consulte la imagen 29

El manillar se puede colocar en 3 posiciones distintas.

Ajuste de la altura del asiento

consulte las imágenes 30 - 31

El asiento tiene 3 posiciones.

Levante el asiento para aumentar la altura del mismo. 30

Presione los botones de ajuste de la altura del asiento y tire hacia arriba, luego presione hacia abajo para disminuir la altura del asiento. 31

Cambio del asiento

consulte las imágenes 32 - 33

El asiento se puede cambiar, lo que permite que la madre y el niño puedan mirarse cara a cara.

Presione los botones de desbloqueo del asiento al tiempo que levanta el asiento. Gire el asiento de manera que quede en la dirección inversa y, a continuación, insértelo en sus soportes.

Ambos soportes del asiento deben estar nivelados como se muestra en 33. Si se producen las situaciones que se muestran en 32 y 33, presione el botón de ajuste de la altura del asiento y tire hacia arriba. A continuación, presione hacia abajo para disminuir la altura del asiento para asegurarse de que ambos soportes del asiento estén nivelados. 33

Uso de la cesta de almacenamiento

Consulte la imagen 34

Para evitar riesgos y la inestabilidad del producto, no deberá colocar objetos que sumen en total un peso superior a 4,5 kg en la cesta de almacenamiento y la bolsa B de almacenamiento.

Plegado del cochecito

consulte las imágenes 40 - 43

! Pliegue la capota antes de plegar el cochecito.

Presione el botón de plegado y tire hacia arriba, 40. Luego gire el manillar hacia abajo, 41. El seguro de plegado se puede bloquear automáticamente. 42

! Si el asiento está en la posición más baja, puede deslizarse hacia abajo mientras se pliega el cochecito para asegurarse de que el seguro de plegado se bloquea automáticamente.

! No pliegue la estructura cuando el asiento esté orientado hacia atrás. 43

! No pliegue la estructura cuando el bloqueo de giro de las ruedas delanteras esté activado.

! El cochecito con asiento orientado hacia adelante puede permanecer parado cuando el manillar está en la posición más alta.

Uso de los accesorios

Es posible que los accesorios se vendan por separado o no estén disponibles, dependiendo de la región.

Uso de la cubierta impermeable

Consulte la imagen 44

Para montar la cubierta impermeable, colóquela sobre el asiento.

! Cuando utilice la cubierta impermeable, deberá asegurarse siempre de que tenga una ventilación adecuada.

! Cuando no vaya a utilizar la cubierta impermeable, asegúrese de que esté limpia y seca antes de plegarla.

! No pliegue el cochecito después de montar la cubierta impermeable.

! No coloque al niño en el cochecito con la cubierta impermeable montada si la temperatura es cálida.

Uso con el portabebés

consulte las imágenes 45 - 49

Cuando lo utilice con el portabebés i-Snug 2, i-Gemm 3, i-Level Recline, i-Jemini y Gemm, consulte las siguientes instrucciones:

! El sonido de un "clic" le indicará que el adaptador está completamente bloqueado.

! El ángulo del portabebés se puede regular con nuestros adaptadores ajustables. 47

! El adaptador tiene 3 posiciones. No utilice el producto cuando la cabeza del bebé esté más baja que los pies después de acoplar el portabebés.

! Si experimenta algún problema al utilizar el portabebés, consulte sus propios manuales de instrucciones.

! No pliegue el cochecito con el portabebés instalado.

Uso con el capazo Joie Ramble, Ramble XL

consulte las imágenes 30 - 33

Cuando lo utilice con el capazo ramble o ramble xl de Joie, consulte las siguientes instrucciones.

- ! Si experimenta algún problema al utilizar el capazo, consulte sus propios manuales de instrucciones.
- ! No utilice el producto cuando la cabeza del bebé esté más baja que los pies después de acoplar el capazo.
- ! Utilice siempre el colchón cuando utilice el capazo.
- ! No pliegue el cochecito al acoplar el capazo.

Uso con el capazo Joie Calmi

consulte las imágenes 34 - 37

Cuando lo utilice con el capazo Joie Calmi, consulte las siguientes instrucciones.

- ! El sonido de un "clic" le indicará que el adaptador está completamente bloqueado.
- ! Utilice siempre el colchón cuando utilice el capazo.
- ! Compruebe que la malla de la parte inferior del capazo esté bien fijada antes de instalar el capazo.
- ! Si experimenta algún problema al utilizar el capazo, consulte sus propios manuales de instrucciones.
- ! No pliegue el cochecito con el capazo montado.

Desmontaje y montaje del acolchado

consulte las imágenes 37 - 38

1. Quite el reposabrazos como se muestra en la ilustración 12
2. Abra la hebilla de la parte inferior del asiento. 38

Para volver a instalar el acolchado del asiento, siga los pasos anteriores en orden inverso 38 - 39

Limpieza y mantenimiento

Consulte la imagen 39

- ! Para limpiar el manillar del cochecito, utilice únicamente jabón para uso doméstico y agua tibia. No utilice lejía ni detergente. Consulte la etiqueta de cuidados para ver las instrucciones acerca de la limpieza de las partes de tela del cochecito.
- ! El acolchado desmontable se puede lavar a máquina. No utilice lejía. No retuerza con demasiada fuerza la cubierta del asiento ni el acolchado interno cuando los seque. Podrían quedar arrugas en la cubierta del asiento y en el acolchado interno.
- ! Examine periódicamente su cochecito por si tuviera tornillos sueltos, piezas desgastadas, materiales dañados o descosidos. Sustituya o repare las piezas que lo requieran. Limpie periódicamente las partes de plástico con un paño suave y húmedo. Seque siempre las partes metálicas para evitar que se oxiden si el cochecito ha estado en contacto con el agua.
- ! Una exposición excesiva al sol o al calor podría decolorar o deformar las piezas.
- ! Si se moja el cochecito, abra la capota y deje que se seque completamente antes de guardarlo.
- ! Si chirrían las ruedas, utilice un aceite suave (por ejemplo: spray de silicona, aceite antioxidante o aceite para máquinas de coser). Es importante que el aceite llegue al ensamblaje de las ruedas y el eje. 39
- ! Cuando utilice su cochecito en la playa o en otros entornos con arena/polvo, límpielo completamente después de usarlo para eliminar cualquier resto de arena y sal que haya podido quedar en los ensamblajes de las ruedas y los mecanismos.

FR Bienvenue dans l'univers de Joie™

Félicitations, vous faites désormais partie de la famille Joie ! Nous avons hâte de vous accompagner dans vos balades avec votre bébé. Lorsque vous voyagez avec la Joie Alore, vous utilisez une poussette de haute qualité, certifiée et approuvée par les normes de sécurité européennes EN 1888-2:2018+A1:2022. Ce produit convient aux enfants jusqu'à 22 kg ou 4 ans, selon la première éventualité. Veuillez lire ce manuel et suivre chaque étape pour assurer le confort et la meilleure protection possible pour votre enfant.

IMPORTANT - LISEZ ATTENTIVEMENT CES INSTRUCTIONS ET CONSERVEZ-LES POUR CONSULTATION ULTÉRIEURE.

Visitez notre site joiebaby.com pour télécharger des manuels et découvrir encore plus de superbes produits Joie !

Pour plus d'informations sur la garantie, veuillez consulter notre site Web à l'adresse suivante: joiebaby.com

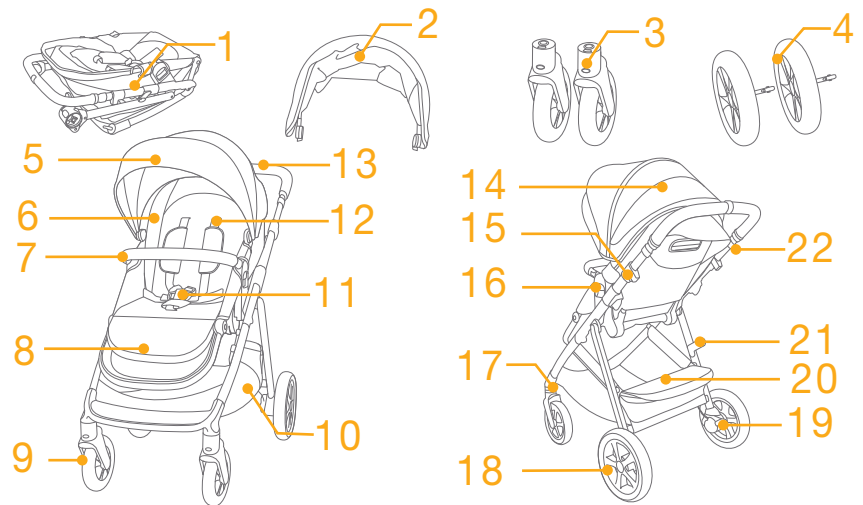
En cas d'urgence

En cas d'urgence ou d'accident, il est très important de prendre immédiatement soin de votre enfant en lui prodiguant les soins des premiers secours puis en le faisant examiner par un médecin.

Liste des pièces

Assurez-vous que toutes les pièces sont présentes avant le montage. Si une pièce est manquante, contactez votre revendeur local. Le montage ne nécessite aucun outil.

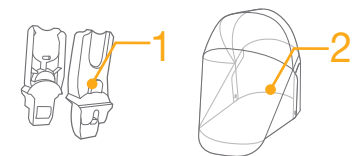
- | | | | |
|----|---------------------|----|-----------------------------------|
| 1 | Châssis | 13 | Poignée |
| 2 | Voilure | 14 | Fenêtre de la voilure |
| 3 | Roue avant | 15 | Bouton de pliage |
| 4 | Roue arrière | 16 | Bouton de déverrouillage du siège |
| 5 | Voilure | 17 | Verrouillage de pivotement |
| 6 | Assise de siège | 18 | Roue arrière |
| 7 | Barre de support | 19 | Levier de frein |
| 8 | Repose-jambes | 20 | Sac de rangement |
| 9 | Roue avant | 21 | Loquet de rangement |
| 10 | Panier de rangement | 22 | Bouton d'ajustement de la poignée |
| 11 | Boucle | | |
| 12 | Harnais d'épaules | | |



Accessoires

(Peuvent ne pas être inclus)

- 1 Adaptateur (sur certains modèles)
- 2 Habillage de pluie (sur certains modèles)



Les accessoires peuvent être vendus séparément ou ne pas être disponibles selon la région.

AVERTISSEMENT

- ! Utilisez toujours le système de retenue. Les ceintures de sécurité et le système de retenue doivent être utilisés correctement.
- ! Assurez-vous que tous les verrous sont enclenchés avant l'utilisation.
- ! Ne laissez pas un enfant jouer avec ce produit.
- ! Avant d'utiliser le produit, assurez-vous que les dispositifs de fixation sur le cadre de la poussette, sur le siège ou sur le fauteuil de la voiture sont correctement enclenchés.
- ! Assemblage par un adulte obligatoire.
- ! Ce produit convient aux enfants jusqu'à 22 kg et 4 ans, selon la première éventualité.
- ! Pour éviter des situations dangereuses ou instables, ne placez pas plus de 4,5 kg dans le panier de rangement.
- ! Ne laissez jamais votre enfant sans surveillance. Ne perdez jamais de vue l'enfant quand il est dans la poussette.
- ! Utilisez la poussette avec un seul enfant à la fois. Ne mettez jamais les sacs à main, les sacs de courses, les paquets ou les accessoires sur la poignée ou la voilure.
- ! Les accessoires non homologués par le fabricant ne doivent pas être utilisés. Seules des pièces de rechange fournies ou conseillées par le fabricant doivent être utilisées.
- ! Toute surcharge, pliage incorrect, utilisation de composants d'autres fabricants peuvent endommager la poussette ou la rendre dangereuse. Lisez attentivement le manuel d'utilisation.
- ! Lisez toutes les consignes de ce manuel avant d'utiliser le produit. Conservez le guide d'utilisation pour toute référence future. Le non respect des avertissements ou des consignes peut entraîner des blessures graves, voir la mort.
- ! Utilisez toujours la ceinture de sécurité pour éviter que l'enfant ne se blesse en tombant ou en glissant du siège.
- ! Assurez-vous que le corps de votre enfant est exempt des pièces mobiles lors du réglage de la poussette.

- ! Ne pliez et n'ouvrez jamais la poussette à côté de votre enfant.
- ! L'enfant peut glisser par les ouvertures des jambes et être étranglé si le harnais n'est pas attaché.
- ! N'utilisez jamais la poussette dans des escaliers ou des escaliers mécaniques.
- ! Ne placez pas dans la poussette des objets chauds, des liquides ou des appareils électroniques.
- ! Ne laissez jamais votre enfant se tenir debout sur la poussette ou s'asseoir avec la tête vers l'avant.
- ! Ne placez jamais la poussette sur la route, dans une pente ou à un endroit dangereux.
- ! Pour éviter tout étranglement, ne placez AUCUN objet avec une ficelle autour du cou de votre enfant, ne suspendez aucune ficelle à ce produit, et n'attachez aucune ficelle aux jouets.
- ! Les charges attachées à la poignée et/ou au dos du dossier et/ou sur les côtés de la poussette affectent la stabilité de la poussette.
- ! NE soulevez Pas la poussette quand l'enfant est dedans.
- ! N'utilisez PAS le panier de rangement comme un porte-bébé.
- ! Pour empêcher tout basculement, ne laissez jamais l'enfant monter seul dans la poussette. Il faut toujours placer et sortir vous même l'enfant de la poussette.
- ! Pour éviter le coincement des doigts, faites attention lors du pliage et du dépliage de la poussette.
- ! Lors du dépliage et du pliage de ce produit, éloignez les enfants pour éviter les blessures.
- ! Pour assurer la sécurité de votre enfant, assurez-vous que toutes les pièces sont assemblées et fixées correctement avant d'utiliser la poussette.
- ! Pour éviter un étranglement, assurez-vous que votre enfant est éloigné de la voilure.
- ! Mettez toujours les freins lorsque vous stationnez la poussette.
- ! Il ne faut plus utiliser la poussette si elle est endommagée ou cassée.

- ! La poussette doit être poussée à la vitesse de marche. Ce produit n'est pas destiné à être utilisé en faisant du jogging.
- ! Pour éviter les risques de suffocation, enlevez le sac en plastique et les éléments d'emballage avant d'utiliser ce produit. Le sac en plastique et les matériaux d'emballage doivent être conservés hors de la portée des bébés et des enfants.
- ! Ce produit ne convient pas pour faire du jogging ou des promenades en rollers.
- ! Il est conseillé d'utiliser la poussette dans sa position la plus inclinée pour les nouveau-nés.
- ! Le dispositif de stationnement doit être enclenché lorsque vous placez ou retirez l'enfant de la poussette.
- ! Cette poussette ne remplace pas un berceau ni un lit même lorsque le dispositif de retenue pour bébé/enfant est utilisé. Si votre enfant a besoin de dormir, il doit être placé dans un landau, un berceau ou un lit approprié.
- ! La nacelle ne doit plus être utilisée lorsque l'enfant arrive à s'asseoir sans aide, à se retourner et ou à se déplacer sur les mains et les genoux. Poids maximum de l'enfant : 9 kg.
- ! N'utilisez PAS de matelas autre que celui fourni avec la nacelle.
- ! N'attachez pas d'éléments à la poignée, au dossier du siège ou aux côtés de la poussette. Une charge supplémentaire affectera la stabilité de la poussette et peut causer le basculement de la poussette.
- ! Aucun matelas supplémentaire ne doit être ajouté sauf recommandation contraire de la part du fabricant.
- ! Veuillez ne pas plier le châssis lorsque le siège est face à l'arrière.

Assemblage de la poussette

(Veuillez consulter les figures en page 1-12)

Lisez toutes les instructions du présent manuel avant d'assembler et d'utiliser ce produit.

Ouverture de la poussette

voir les images ① - ③

Séparez le loquet de rangement du support de stockage ①, puis levez la poignée vers le haut ②, un son de clic signifie que la poussette est complètement ouverte.

! Appuyez sur le repose-pied et réglez-le à nouveau. ③ - 1

! Veuillez attacher le bouton sous le support de jambe. ③ - 2

! Vérifiez que la poussette est complètement verrouillée avant de poursuivre.

Assemblage et retrait des roues avant

voir les images ④ - ⑤

Assemblage et retrait des roues arrière

voir les images ⑥ - ⑧

Assemblage de la voilure

voir les images ⑨ - ⑩

Assemblage et retrait de la barre de retenue

voir les images ⑪ - ⑫

La poussette complètement assemblée est illustrée ⑬

Fonctionnement de la poussette

Réglage du dossier

voir les images ⑭ - ⑮

Il y a 5 angles d'inclinaison pour le dossier.

Inclinaison du dossier

Pour incliner le dossier, appuyez sur la poignée d'inclinaison à l'arrière du siège, tirez sur le dossier. ⑭

Relever le dossier

Pour relever le dossier, poussez-le. ⑮

! L'inclinaison doit être réglée correctement avant utilisation.

! La charge maximale de la poche de rangement à l'arrière du dossier est de 0,45 kg.

Utilisation de la boucle

voir les images ⑯ - ⑰

Déverrouillage de la boucle

Appuyez sur le bouton central pour déverrouiller la boucle. ⑯

Verrouillage de la boucle

Faites correspondre la boucle de la ceinture avec la boucle des épaules ⑰ - 1, et cliquez sur la boucle centrale. ⑰ - 2 Vous entendrez un « clic » signifiant que la boucle est complètement verrouillée. ⑰ - 3

! Attachez toujours votre enfant avec un harnais pour éviter que l'enfant ne se blesse en tombant ou en glissant du siège.

! Vérifiez que votre enfant est bien attaché. L'espace entre l'enfant et le harnais d'épaules doit faire environ l'épaisseur d'une main.

! Ne croisez pas les ceintures d'épaules. Autrement cela entraîne une pression sur le cou de l'enfant.

Utilisation des harnais d'épaules et de taille

voir les images 18 - 21

! Pour protéger votre enfant de tomber, vérifiez que les harnais d'épaules et de taille sont à la bonne hauteur et la bonne longueur une fois l'enfant placé dans le siège.

- 18 - 1 Point d'ancrage A du harnais d'épaules
- 18 - 2 Point d'ancrage B du harnais d'épaules
- 18 - 3 Dispositif de réglage coulissant

Pour les enfants de grande taille, utilisez le point d'ancrage A du harnais d'épaules et les fentes les plus élevées au niveau des épaules. Pour les enfants de petite taille, utilisez le point d'ancrage B du harnais d'épaules et les fentes les plus élevées au niveau des épaules.

! La position du verrou d'ancrage de la ceinture d'épaule peut être ajustée à partir de l'ouverture supérieure qui est fermée par les attaches ou de la poche inférieure. 19 - 1

Pour régler la position du point d'ancrage du harnais d'épaules, retournez l'œillet face avant de manière à être au même niveau. Le passer à travers la fente du harnais d'épaules, de l'arrière vers l'avant. 19. Enfilez-le à nouveau dans l'emplacement le plus proche de la hauteur des épaules de l'enfant. 20

Utilisez le dispositif d'ajustement coulissant pour modifier la longueur du harnais. 21 - 1

Appuyez sur le bouton 21 - 2, tout en tirant sur le harnais à la taille jusqu'à la longueur appropriée. 21 - 3

Réglage du repose-mollets

voir les images 22 - 23

Le repose-mollets a 2 positions.

Pour remonter le repose-mollets, poussez-le vers le haut. 22 Vous entendrez un « clic » signifiant que le repose-mollets est complètement verrouillé.

Pour abaisser le repose-mollets, appuyez sur les boutons d'ajustement des deux côtés du repose-mollets 23 - 1, puis faites-le tourner vers le bas. 23 - 2

Utilisation des verrouillages de pivotement avant

voir l'image 24

Roue avant verrouillée ou déverrouillée comme indiqué dans 24.

Conseil Il est recommandé d'utiliser les verrouillages de pivotement sur les surfaces irrégulières.

Utilisation du frein

voir les images 25 - 26

Pour verrouiller les roues, abaissez le levier du frein. 25

Pour libérer les roues, soulevez le levier du frein. 26

Conseil Mettez toujours le frein lorsque la poussette est à l'arrêt.

Utilisation de la voilure

voir les images 27 - 28

La voilure peut être ouverte ou pliée, tirez-la vers l'avant ou l'arrière.

La voilure peut être ouverte complètement pour protéger votre enfant du soleil au maximum, ouvrez simplement la fermeture éclair 27, puis tirez la voilure vers l'avant.

La voilure est dotée d'une fenêtre, à travers laquelle vous pouvez voir votre bébé. 28

Ajustement de la poignée

voir l'image 29

La poignée dispose de 3 positions.

Ajustement de la hauteur du siège

voir les images 30 - 31

Le siège peut être ajusté dans 3 positions.

Tirez le siège vers le haut pour augmenter la hauteur du siège. 30

Appuyez sur les boutons de réglage de la hauteur du siège et tirez vers le haut, puis poussez vers le bas pour réduire la hauteur du siège. 31

Basculement du siège

voir les images 32 - 33

Le siège peut être retourné, ce qui permet à la mère et à l'enfant de se voir face à face.

Enfoncez les boutons d'éjection du siège en le soulevant. Tournez le siège en position inverse, puis insérez-le dans les fixations.

Les deux supports de siège doivent être à niveau, comme indiqué dans 33. Si les situations indiquées dans 34 & 35 se produisent, appuyez sur les boutons de réglage de la hauteur du siège et tirez vers le haut, puis poussez vers le bas pour réduire la hauteur du siège et assurez-vous que les deux supports de siège sont à niveau. 35

Utilisation du panier de rangement

voir l'image 36

Pour éviter des situations dangereuses ou instables, ne placez pas plus de 4,5kg dans le panier de rangement et le panier de rangement.

Pliage de la poussette

voir les images 40 - 43

! Veuillez plier la voilure avant de plier la poussette.

Appuyez sur le bouton de pliage et tirez vers le haut, 40 puis tournez la poignée vers le bas, 41 le loquet de pliage se verrouillera automatiquement. 42

! Si le siège est en position basse, il peut glisser vers le bas pendant le pliage de la poussette pour s'assurer que le verrou de pliage se verrouille automatiquement.

! Veuillez ne pas plier le châssis lorsque le siège est face à l'arrière. 43

! Veuillez ne pas plier le châssis lorsque le verrou de la roue avant est enclenché.

! La poussette avec le siège face à l'avant peut être relevé lorsque la poignée est en position haute.

Utilisation des accessoires

Les accessoires peuvent être vendus séparément ou ne pas être disponibles selon la région.

Utilisation de la housse de pluie

voir l'image 44

Pour assembler la housse de pluie, placez-la au-dessus du siège.

! Lorsque vous utilisez la housse de pluie, vérifiez toujours sa ventilation.

! Lorsque la housse de pluie n'est pas utilisée, il faut s'assurer qu'elle est propre et sèche avant de ranger.

! Ne pliez pas la poussette lorsque la housse de pluie est installée.

! Ne placez pas votre enfant dans la poussette avec la housse de pluie installée par temps chaud.

Utilisation du dispositif de retenue pour bébé/enfant

voir les images 45 - 49

Lorsque vous utilisez les dispositifs de retenue pour bébé/enfant i-Snug 2 & i-Gemm 3 & i-Level Recline & i-Jemini & Gemm, veuillez vous reporter aux instructions suivantes.

! Vous entendrez un « clic » si l'adaptateur est complètement verrouillé.

! L'angle du siège pour enfant peut être réglé avec nos adaptateurs réglables. 47

! L'adaptateur a 3 positions. Veuillez ne pas utiliser ce produit lorsque la tête du bébé est plus basse que ses pieds après avoir fixé le dispositif de retenue pour enfant.

! Si vous rencontrez des problèmes concernant l'utilisation du dispositif de retenue pour bébé/enfant, veuillez consulter son manuel d'utilisation.

! Veuillez ne pas plier la poussette lorsque le dispositif de retenue pour bébé/enfant est encore attaché.

Utilisation avec les nacelles Joie Ramble, Ramble XL

voir les images 50 - 53

En cas d'utilisation avec la nacelle Joie ramble, ramble xl, veuillez consulter les instructions suivantes.

- ! Si vous rencontrez des problèmes lors de l'utilisation de la nacelle, veuillez consulter son manuel d'instructions.
- ! Veuillez ne pas utiliser ce produit lorsque la tête du bébé est plus basse que ses pieds après avoir fixé la nacelle.
- ! Utilisez toujours le matelas avec la nacelle.
- ! Veuillez ne pas plier la poussette lors de la fixation de la nacelle.

Utilisation avec une nacelle Joie Calmi

voir les images 54 - 57

Lors de l'utilisation d'une nacelle Joie Calmi, veuillez vous référer aux instructions suivantes.

- ! Vous entendrez un « clic » si l'adaptateur est complètement verrouillé.
- ! Utilisez toujours le matelas avec la nacelle.
- ! Veuillez vérifier que le filet en bas de la nacelle est bien fixé avant d'installer la nacelle.
- ! Si vous rencontrez des problèmes lors de l'utilisation de la nacelle, veuillez consulter son manuel d'instructions.
- ! Veuillez ne pas plier la poussette lorsque la nacelle est toujours attachée.

Détacher et assembler les pièces souples

voir les images 58 - 63

1. Retirez la barre de support indiquée dans 12
2. Ouvrez la boucle se trouvant en bas du siège. 53

Pour ré-assembler les parties souples du siège, suivez les étapes ci-dessus dans l'ordre inverse 63 - 58

Nettoyage et maintenance

voir l'image 64

- ! Pour nettoyer le cadre de la poussette, utilisez uniquement du savon ménager avec de l'eau chaude. Il ne faut utiliser aucun agent de blanchiment ni détergent. Veuillez consulter l'étiquette d'entretien pour des instructions sur le nettoyage des pièces en tissu de la poussette.
- ! Les parties souples amovibles peuvent être lavées à la machine. Il ne faut utiliser aucun agent de blanchiment. N'essorez pas la housse de siège et le rembourrage interne avec trop de force. Cela pourrait laisser des plis sur la housse de siège et le rembourrage interne.
- ! Vérifiez régulièrement la présence de vis desserrées, de parties usées, de matériaux déchirés ou décousus sur la poussette. Remplacez ou réparez les pièces endommagées si nécessaire. Essuyez de temps à autre les pièces en plastique avec un chiffon doux humide. Séchez toujours les pièces métalliques pour empêcher la formation de rouille si la poussette est entrée en contact avec de l'eau.
- ! L'exposition excessive au soleil ou à la chaleur peut décolorer ou déformer les pièces.
- ! Si la poussette est mouillée, ouvrez la voilure et laissez-la sécher complètement avant de la ranger.
- ! Si les roues grincement, utilisez une huile légère (ex. lubrifiant siliconé, huile antirouille ou huile pour machine à coudre). Il est important que l'huile pénètre dans les moyeux des roues. 64
- ! En cas d'utilisation de votre poussette à la plage ou dans d'autres environnements sablonneux/poussiéreux, nettoyez-la complètement après utilisation pour enlever le sable et le sel des mécanismes et des assemblages de roues.

NL Welkom bij Joie™

Gefeliciteerd dat u nu lid bent van de Joie-familie! Het doet ons veel genoegen om deel te kunnen uitmaken van uw reis met uw kleintje. Bij het reizen met de Joie Alore gebruikt u een hoogwaardige, volledig gecertificeerde kinderwagen, goedgekeurd volgens de Europese veiligheidsnormen EN 1888-2:2018+A1:2022. Dit product is geschikt voor kinderen tot 22 kg of 4 jaar, als dat zich eerder voordoet. Lees deze handleiding zorgvuldig en volg elke stap om voor een comfortabele rit en de beste bescherming van uw kind te zorgen.

BELANGRIJK - ZORGVULDIG LEZEN EN BEWAREN VOOR RAADPLEGING IN DE TOEKOMST.

Bezoek ons op joiebaby.com om handleidingen te downloaden en nog meer interessante producten van Joie te zien.

Bezoek voor informatie over de garantie onze website op joiebaby.com

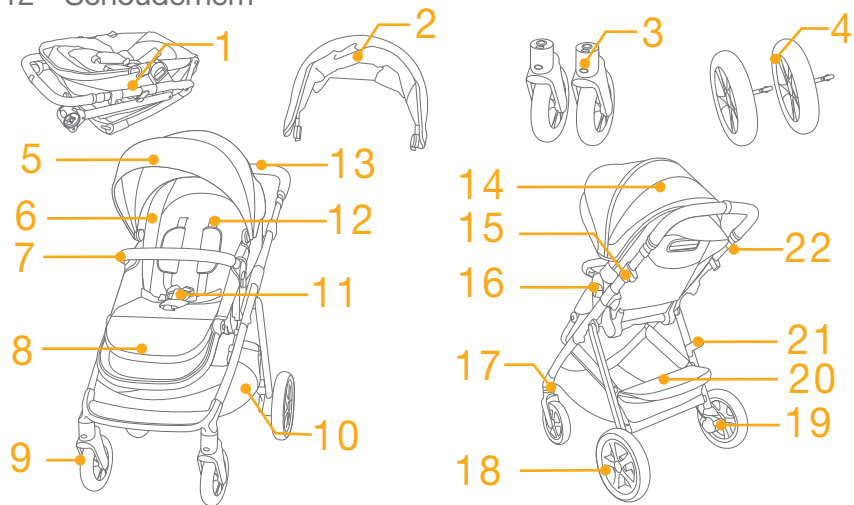
Noodgeval

Bij een noodsituatie of een ongeluk is het heel belangrijk om uw kind direct te laten verzorgen met eerste hulp en medische behandeling.

Onderdelenlijst

Zorg dat alle onderdelen voor het opslaan droog zijn. Als er items ontbreken of beschadigd zijn, kunt u contact opnemen met uw leverancier. Voor de montage is geen gereedschap nodig.

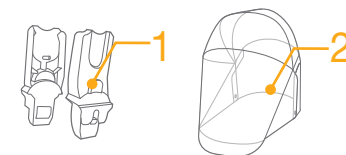
- | | |
|--------------------|-------------------------|
| 1 Wandelwagenframe | 13 Handgreep |
| 2 Kap | 14 Raampje van de kap |
| 3 Voorwiel | 15 Opvouwknoop |
| 4 Achterwiel | 16 Ontgrendelknop zitje |
| 5 Kap | 17 Draaislot |
| 6 Zitkussen | 18 Achterwiel |
| 7 Voorbeugel | 19 Remgreep |
| 8 Beensteun | 20 Opberggas |
| 9 Voorwiel | 21 Opberggrendel |
| 10 Opbergmand | 22 Instelknop handgreep |
| 11 Gesp | |
| 12 Schouderriem | |



Accessoires

(Mogelijk niet meegeleverd)

- 1 Adapter (op bepaalde modellen)
- 2 Regendek (op bepaalde modellen)



Accessoires kunnen al dan niet apart leverbaar zijn, afhankelijk van de regio.

WAARSCHUWING

- ! Gebruik altijd de veiligheidsriemen. Veiligheidsriemen en zitsystemen moeten op de juiste wijze worden gebruikt.
- ! Controleer voor het gebruik of alle sluitingen goed vast zitten.
- ! Laat het kind niet met dit artikel spelen.
- ! Controleer voor het gebruik of de bevestigingsmiddelen van het zitje of autozitje goed zijn vastgezet.
- ! Montage door volwassene vereist.
- ! Dit product is geschikt voor kinderen tot 22kg of 4 jaar, als dat zich eerder voordoet.
- ! Om een gevaarlijke en instabiele conditie te vermijden, moet u niet meer dan 4,5 kg in de opbergmand plaatsen.
- ! Laat uw kind nooit zonder toezicht achter. Let altijd op uw kind als het in de wandelwagen zit.
- ! Gebruik de wandelwagen met slechts één kind tegelijk. Leg nooit handtassen, boodschappentassen, pakjes of onderdelen van toebehoren op de greep of de kap.
- ! Gebruik geen toebehoren die niet door de fabrikant zijn goedgekeurd. Gebruik uitsluitend vervangende onderdelen die zijn geleverd of aanbevolen door de fabrikant.
- ! Overbelasting, onjuist opvouwen, of het gebruik van onderdelen van andere fabrikanten kan schade of een onveilige situatie voor de wandelwagen opleveren. Lees altijd eerst zorgvuldig de handleiding.
- ! Lees alle aanwijzingen in deze handleiding voordat u het product gebruikt. Bewaar de handleiding voor later gebruik. Niet-naleving van de waarschuwingen en de instructies kan ernstig letsel of de dood veroorzaken.
- ! Om ernstig letsel te vermijden door vallen of uit de wagen glijden, moet u altijd het harnas gebruiken.
- ! Zorg er voor dat het lichaam van uw kind geen bewegende onderdelen raakt bij het aanpassen van de wandelwagen.

- ! Zorg ervoor dat de wandelwagen volledig geopend of dichtgevouwen is voordat u uw kind in de buurt laat komen.
- ! Het kind kan in de beenopeningen glijden en gewurgd worden als het harnas niet wordt gebruikt.
- ! Gebruik de wandelwagen nooit op trappen of roltrappen.
- ! Uit de buurt houden van voorwerpen, vloeistoffen en elektronica met een hoge temperatuur.
- ! Laat uw kind nooit in de wandelwagen staan of met het hoofd naar de voorkant van de wandelwagen zitten.
- ! Plaats de wandelwagen nooit op wegen, hellingen of gevaarlijke gebieden.
- ! Om verstikking te voorkomen, moet u GEEN voorwerpen met een koord rond de hals van uw kind hangen, de koorden van dit product laten hangen of koorden aan speelgoed bevestigen.
- ! Elke last bevestigd aan de greep of op de achterkant van de rugsteun of de zijkanten van de wandelwagen beïnvloedt de stabiliteit van de wandelwagen.
- ! Til de wandelwagen NIET op als daar een kind in zit.
- ! Gebruik de opbergmand NIET om een kind in te plaatsen.
- ! Om omvallen te voorkomen, moet u het kind nooit in de wandelwagen laten klimmen. Til het kind altijd in en uit de wandelwagen.
- ! Om afgeklemden vingers te voorkomen, moet u opletten bij het in- en uitvouwen van de wandelwagen.
- ! Om letsel te voorkomen, moet u het kind uit de buurt houden tijdens het open- of samenvouwen van dit product.
- ! Om voor de veiligheid van uw kind te zorgen, moet u ervoor zorgen dat alle onderdelen goed zijn gemonteerd en vastgezet voordat u de wandelwagen gebruikt.
- ! Om verstikking te voorkomen, moet u er voor zorgen dat uw kind niet door de kap wordt bedekt.
- ! Gebruik altijd de remmen bij het parkeren van de wandelwagen.
- ! Gebruik de wandelwagen niet meer als deze is beschadigd of kapot is.

- ! De wandelwagen mag alleen met een loopsnelheid gebruikt worden. Dit product is niet bedoeld voor gebruik tijdens het joggen.
- ! Om verstikking te voorkomen, moet u de plastic zak en verpakkingsmaterialen verwijderen voordat u de stoel gebruikt. Houd de plastic zak en verpakkingsmaterialen buiten bereik van baby's en kinderen.
- ! Dit product is niet geschikt om mee te rennen of rolschaatsen.
- ! Wandelwagen ontworpen voor gebruik vanaf de geboorte, gebruik de meest vlakke stand voor pasgeboren baby's.
- ! Bij het plaatsen en verwijderen van het kind moet de voetrem geactiveerd zijn.
- ! Voor kinderstoeltjes die gebruikt worden in combinatie met een chassis, vervangt deze kinderwagen geen draagwieg of bed. Als uw kind moet slapen, moet u het in een geschikte kinderwagen, wieg of bed leggen.
- ! De draagwieg moet niet worden gebruikt wanneer het kind zelf kan zitten, om kan rollen en zichzelf op kan drukken op handen en knieën. Maximumgewicht van het kind: 9 kg.
- ! GEEN ander matras gebruiken dan is meegeleverd met de draagwieg.
- ! Bevestig geen items aan de handgreep, rugleuning of zijkanten van de wandelwagen. Elke extra belasting is van invloed op de stabiliteit van de wandelwagen en zou kunnen leiden tot het omkantelen van de wandelwagen.
- ! Er mag geen aanvullende matras worden toegevoegd tenzij dit wordt aanbevolen door de fabrikant.
- ! Vouw het frame niet op als het zitje naar achteren is gericht.

Montage wandelwagen

(Raadpleeg de afbeeldingen op pagina 1-12)

Lees alle aanwijzingen in deze handleiding voordat u het product opzet en gebruikt.

Open wandelwagen

zie afbeeldingen 1 - 3

Maak de opberggrendel los van de opbergbeugel 1, en til de hendel omhoog 2, als u een klik hoort, betekent dit dat de wandelwagen volledig geopend is.

! Druk de voetsteun omlaag en reset het. 3 - 1

! Bevestig de knop onder de kuitsteun. 3 - 2

! Controleer of de wagen goed vergrendeld is voordat u hem gebruikt.

Voorwiel monteren en demonteren

zie afbeeldingen 4 - 5

Achterwiel monteren en demonteren

zie afbeeldingen 6 - 8

Kap monteren

zie afbeeldingen 9 - 10

Voorbeugel monteren en demonteren

zie afbeeldingen 11 - 12

De volledig gemonteerde wandelwagen is afgebeeld als 13

Gebruik wandelwagen

Rugsteun afstellen

zie afbeeldingen 14 - 15

De rugsteun heeft 5 hoeken.

Rugsteun naar achteren brengen

Knijs om de rugleuning naar achteren te brengen de greep op de achterkant van de zitting in en trek de rugleuning omlaag. 14

De rugsteun omhoog brengen

Druk de rugsteun omhoog om hem rechtop te zetten. 15

! Controleer of de helling goed is ingesteld.

! De maximale belasting van de opbergzak op de achterkant van de rugleuning is 0,45kg.

Riem gebruiken

zie afbeeldingen 16 - 17

Maak de gesp los

Druk op de knop in het midden om de riem los te maken. 16

Riem vastmaken

Verbind de middelriem met de schouderriem 17 - 1, en klik deze in de middengesp. 17 - 2 Een klikkend geluid betekent dat de riem vergrendeld is. 17 - 3

! Om ernstig letsel te voorkomen door uit de stoel vallen of glijden, moet u uw kind altijd met de riemen vastzetten.

! Zorg er voor dat uw kind goed vast zit. De ruimte tussen het kind en de schouderriemen moet ongeveer de dikte van een hand zijn.

! De schouderriemen niet kruisen. Dat veroorzaakt druk op de nek van het kind.

Schouder- en middelriemen gebruiken

zie afbeeldingen 18 - 21

! Om te voorkomen dat uw kind uit de stoel valt, moet u controleren of de schouder- en middelriemen op de juiste hoogte en lengte zitten.

18 - 1 Schouderriemanker A

18 - 2 Schouderriemanker B

18 - 3 Instelling

Gebruik voor een groter kind schouderriemanker A en de hoogste schouderleuven. Gebruik voor een kleiner kind schouderriemanker B en de laagste schouderleuven.

! De positie van het schouderriemanker kan worden afgesteld vanaf boven de opening die wordt gesloten door bevestigingsmiddelen of onder de zak. 19 - 1

Om de positie van het schouderriemanker aan te passen, draait u het anker zodat het gelijk ligt met de kant die naar voren kijkt. Geleid deze van achter naar voor door de sleuf voor de schouderriem. 19 Steek hem vervolgens door de sleuf die het dichtste bij de schouderhoogte van het kind zit. 20

Gebruik de schuifregelaar om de lengte van de riemen in te stellen. 21 - 1

Druk op de knop 21 - 2, terwijl u de middelriem op de juiste lengte trekt. 21 - 3

Beensteun aanpassen

zie afbeeldingen 22 - 23

De beensteun heeft 2 standen.

Druk de kuitsteun omhoog om hem hoger te plaatsen. 22 Een klikkend geluid betekent dat het kalf volledig vergrendeld is.

Druk op de instelknoppen aan weerszijden van de kuitsteun om de steun omlaag te brengen 23 - 1, en draai de steun omlaag. 23 - 2

Draaien voorwielen blokkeren

zie afbeelding 24

Vergrendelde of ontgrendelde status voorwiel als 24.

Tip Aanbevolen wordt om de draaiblokkering op ongelijke oppervlakken te gebruiken.

Remmen

zie afbeeldingen 25 - 26

Trap de remhendel omlaag om de wielen te blokkeren. 25

Licht de remhendel op om de wielen vrij te geven. 26

Tip Zet de rem altijd vast als de wandelwagen moet stilstaan.

Kap gebruiken

zie afbeeldingen 27 - 28

U kunt de kap openen of opvouwen, trek hem naar voren of naar achteren.

De kap kan volledig worden geopend om uw kind zoveel mogelijk tegen de zon te beschermen; rits de rits 27 los en trek de kap naar voren.

De kap bevat een raampje waardoor u uw baby kunt zien. 28

Handgreep instellen

zie afbeelding 29

De handgreep heeft 3 standen.

Hoogte zitje afstellen

zie afbeeldingen 30 - 31

Het zitje heeft 3 standen.

Trek het zitje omhoog voor het vergroten van de hoogte van het zitje. 30

Druk op de knoppen voor hoogteafstelling van het zitje en trek omhoog, en duw vervolgens omlaag voor het verkleinen van de hoogte van het zitje. 31

Zitje omdraaien

zie afbeeldingen 32 - 33

U kunt het zitje omdraaien, zodat moeder en kind elkaar kunnen aankijken.

Knijp tijdens het optillen van het zitje de ontgrendelknoppen in. Draai het zitje in de omgekeerde richting en steek het in de stoelbeugels.

Beide zitsteunen moeten gelijk staan als getoond in 33, als de situaties getoond in 32 & 33 plaatsvinden, drukt u op de knoppen voor hoogteafstelling van het zitje en trek omhoog, en duw vervolgens omlaag voor het verkleinen van de hoogte van het zitje om ervoor te zorgen dat beide zitsteunen gelijk staan. 33

Opbergmand gebruiken

zie afbeelding 34

Om een gevaarlijke en instabiele conditie te vermijden, moet u niet meer dan 4,5kg in de opbergmand en opbergzak plaatsen

Wandelwagen invouwen

zie afbeeldingen 40 - 43

! Vouw de kap op voordat u de wandelwagen opvouwt.

Druk op de opvouwknop en trek omhoog, 40 en draai de handgreep vervolgens omlaag, 41 de vouwvergrendeling kan automatisch vergrendelen. 42

! Als het zitje in de lagere stand staat, kan het omlaag schuiven bij het opvouwen van de wandelwagen om ervoor te zorgen dat de vouwvergrendeling automatisch vergrendelt.

! Vouw het frame niet op als het zitje naar achteren is gericht. 43

! Vouw het frame niet op wanneer het draaislot van het voorwiel is vergrendeld.

! De wandelwagen met vooruit kijkend zitje kan staan wanneer de handgreep in de hoogste stand staat.

Accessoires gebruiken

Accessoires kunnen al dan niet apart leverbaar zijn, afhankelijk van de regio.

Regenkap gebruiken

zie afbeelding 44

Plaats de regenkap over het zitje om deze te monteren.

! Controleer altijd op voldoende ventilatie als u de regenkap gebruikt.

! Controleer of de regenkap schoon en droog is voor u ze opvouwt.

! Vouw de wandelwagen niet op als de regenkap gemonteerd is.

! Zet uw kind niet bij warm in de wandelwagen als de regenkap gemonteerd is.

Gebruiken met babyzitje

zie afbeeldingen 45 - 46

Raadpleeg de volgende instructies bij het gebruik van het Joie-kinderzitje i-Snug 2 & i-Gemm 3 & i-Level Recline & i-Jemini & Gemm.

! Een klikkend geluid betekent dat de adapter vergrendeld is.

! De hoek van het babyzitje kan worden afgesteld met onze instelbare adapters. 47

! De adapter heeft 3 standen. Gebruik het product niet wanneer het hoofd van de baby lager staat dan de voeten na bevestigd babyzitje.

! Als u problemen ondervindt bij het gebruik van het babyzitje, raadpleeg dan de betreffende handleidingen.

! Vouw de wandelwagen niet op als het babyzitje nog bevestigd is.

Gebruiken met Joie Ramble, Ramble XL-draagwieg

zie afbeeldingen 30 - 33

Raadpleeg de volgende instructies bij het gebruik met de Joie-draagwieg ramble, ramble xl.

- ! Als u problemen ondervindt bij het gebruik van de draagwieg, raadpleeg dan de betreffende handleidingen.
- ! Gebruik het product niet wanneer het hoofd van de baby lager staat dan de voeten na bevestigde draagwieg.
- ! Gebruik altijd de matras bij gebruik van de draagwieg.
- ! Vouw de wandelwagen niet op tijdens het bevestigen van de draagwieg.

Gebruiken met Joie Calmi-draagwieg

zie afbeeldingen 34 - 37

Raadpleeg de volgende instructies bij het gebruik met de Joie Calmi draagwieg.

- ! Een klikkend geluid betekent dat de adapter vergrendeld is.
- ! Gebruik altijd de matras bij gebruik van de draagwieg.
- ! Controleer dat het gaas aan de onderkant van de draagwieg goed is bevestigd voorafgaand aan het installeren van de draagwieg.
- ! Als u problemen ondervindt bij het gebruik van de draagwieg, raadpleeg dan de betreffende handleidingen.
- ! Vouw de wandelwagen niet op als de draagwieg daarop bevestigd is.

Zachte voorwerpen los- en vastmaken

zie afbeeldingen 38 - 39

1. Verwijder de voorbeugel als afgebeeld 12
2. Open de gesp op de onderkant van het zitje. 38

Om de zachte goederen weer te bevestigen, gaat u in omgekeerde volgorde te werk 39 - 38

Reiniging en onderhoud

zie afbeelding 39

- ! Gebruik voor het schoonmaken van het frame alleen zeep en warm water. Geen bleekmiddel of schoonmaakmiddelen. Raadpleeg het verzorgingslabel voor instructies betreffende reiniging van de stoffen onderdelen van de wandelwagen.
- ! Verwijderbare zachte goederen kunnen in de machine worden gewassen. Geen bleekmiddel. De zachte voorwerpen en binnenvoering niet uitwringen om ze te drogen. Daardoor kunnen de stoelbedekking en binnenvoering kreukelen.
- ! Controleer de wandelwagen van tijd tot tijd op losse schroeven, slijtage, scheuren en beschadigde naden. Vervang of herstel de onderdelen als dat nodig is. Veeg de plastic onderdelen periodiek schoon met een zachte vochtige doek. Droog de metalen onderdelen om de vorming van roest te voorkomen als de wandelwagen in contact is geweest met water.
- ! Overmatige blootstelling aan zon of warmte kan vervagen of vervormen van onderdelen veroorzaken.
- ! Als de wandelwagen nat is geworden, moet u de kap openen en hem laten drogen voordat u hem opbergt.
- ! Als de wieljes piepen, moet u dunne olie gebruiken (bijvoorbeeld siliconenspray, antiroest-olie of naaimachine-olie). De olie moet in de as en het wielstel komen. 39
- ! Als u de wandelwagen op het strand gebruikt, moet u hem goed schoonmaken na het gebruik om alle zand en zout van het mechanisme en de wielen te verwijderen.

IT Benvenuti in Joie™

Congratulazioni per essere entrato a far parte della famiglia Joie! Siamo lieti di partecipare al tuo viaggio con il bambino. Con Joie Alore siete sicuri di utilizzare un passeggino di alta qualità, totalmente certificato, approvato in base alle normative di sicurezza europee EN 1888-2:2018+A1:2022. Questo prodotto è adatta a bambini fino a 22 kg o 4 anni, qualunque degli eventi si verifichi prima. Leggere attentamente questo manuale e attenersi a ogni procedura per garantire un viaggio comodo e la migliore protezione per il bambino.

IMPORTANTE - LEGGERE ATTENTAMENTE E CONSERVARE PER RIFERIMENTO FUTURO.

Visitate il nostro sito joiebaby.com per scaricare i manuali e conoscere altri eccezionali prodotti Joie!

Per informazioni più dettagliate, si prega di visitare il nostro sito web all'indirizzo joiebaby.com

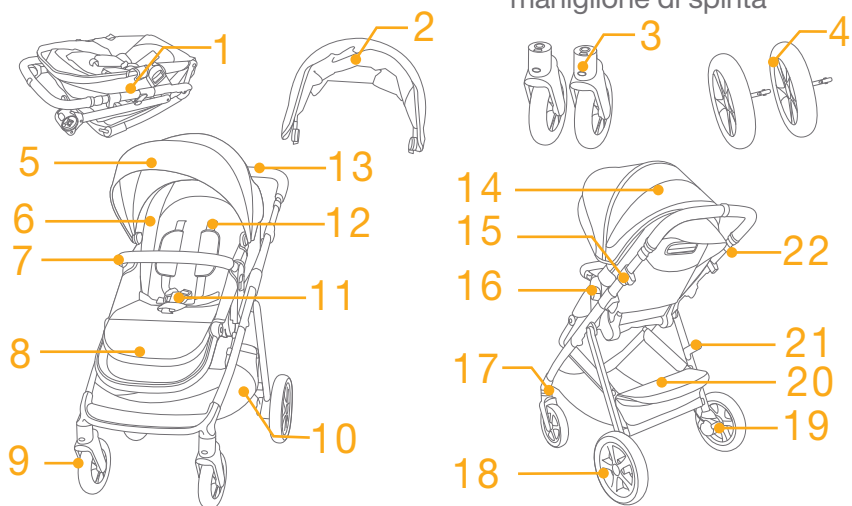
Emergenza

In caso di emergenza o incidenti, è estremamente importante portare il bambino al pronto soccorso per cure mediche immediate.

Elenco parti

Assicurarsi che tutti i pezzi siano disponibili prima dell'assemblaggio. Se manca qualche pezzo, contattare il rivenditore locale. Per l'assemblaggio non è necessario nessun attrezzo.

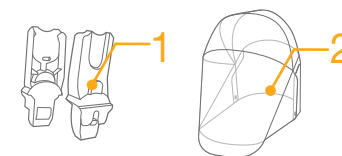
- | | |
|---------------------------|---|
| 1 Telaio passeggino | 13 Maniglione di spinta |
| 2 Capottina | 14 Finestrella della capottina |
| 3 Ruota anteriore | 15 Pulsante di chiusura |
| 4 Ruota posteriore | 16 Pulsante di sgancio della seduta |
| 5 Capottina | 17 Blocco ruote anteriori piroettanti |
| 6 Imbottitura | 18 Ruota posteriore |
| 7 Maniglione di sicurezza | 19 Leva del freno |
| 8 Pedanina poggiamambe | 20 Borsa di trasporto |
| 9 Ruota anteriore | 21 Fermo di chiusura |
| 10 Cesto portaoggetti | 22 Pulsante di regolazione del maniglione di spinta |
| 11 Fibbia | |
| 12 cinture per le spalle | |



Accessori

(potrebbero non essere inclusi)

- 1 Adattatore (su alcuni modelli)
- 2 Parapioggia (su alcuni modelli)



Gli accessori potrebbero essere venduti separatamente o non essere disponibili a seconda della regione.

AVVERTENZA

- ! Utilizzare sempre il dispositivo di ritenuta. Utilizzare correttamente le cinture di sicurezza e i dispositivi di ritenuta.
- ! Prima dell'uso, assicurarsi che tutti i dispositivi di blocco siano inseriti.
- ! Evitare che i bambini giochino con questo prodotto.
- ! Controllare che la navicella, la seduta o i dispositivi di bloccaggio del seggiolino auto siano correttamente inseriti prima dell'uso.
- ! Il prodotto deve essere montato solo da adulti.
- ! Questo prodotto è adatto a bambini fino a 22 kg e 4 anni, a seconda di quale evento si verifica per primo.
- ! Per evitare una condizione di instabilità pericolosa, non introdurre oltre 4,5 kg nel cesto portaoggetti.
- ! Non lasciare mai il bambino incustodito. Sorvegliare sempre il bambino mentre si trova nel passeggino.
- ! Usare il passeggino con un solo bambino per volta. Non collocare borse, sacchetti, pacchi o elementi accessori sul maniglione di spinta o sulla capottina.
- ! Gli accessori non approvati dal produttore non devono essere usati. Utilizzare solo le parti di ricambio fornite o consigliate dal produttore.
- ! Se il passeggino viene sovraccaricato, chiuso in modo non corretto o usato insieme a componenti di altri produttori, si potrebbe danneggiare, rompere o diventare pericoloso. Leggere attentamente il manuale di istruzioni.
- ! Leggere tutte le istruzioni del manuale prima di usare il prodotto. Conservare questo manuale per riferimenti futuri. La mancata osservanza delle seguenti avvertenze e istruzioni potrebbe causare lesioni gravi o decesso.
- ! Per evitare gravi lesioni a seguito di caduta o scivolamento, usare sempre le cinture.
- ! Assicurarsi che il corpo del bambino sia lontano dalle parti in movimento quando si regola il passeggino.

- ! Assicurarsi che il passeggino sia completamente aperto o chiuso prima che il bambino si avvicini ad esso.
- ! Il bambino potrebbe scivolare nelle aperture delle gambe ed essere strangolato se non si utilizzano le cinture.
- ! Non utilizzare mai il passeggino su scale o scale mobili.
- ! Tenere lontano oggetti caldi, liquidi e dispositivi elettronici.
- ! Evitare che il bambino si metta in piedi sul passeggino o si sieda nel passeggino con la testa rivolta verso la parte anteriore del passeggino.
- ! Non posizionare il passeggino su strade, pendii o aree pericolose.
- ! Per evitare il pericolo di strangolamento, non avvolgere oggetti con cavi intorno al collo del bambino, NON sospendere cavi dal prodotto e non legare cavi sui giochi.
- ! Qualsiasi carico sul maniglione di spinta, sul retro dello schienale e/o sui lati del passeggino influisce sulla stabilità del passeggino stesso.
- ! NON sollevare il passeggino con il bambino all'interno.
- ! NON utilizzare il cesto portaoggetti per il trasporto del bambino.
- ! Per evitare che si rovesci, evitare che il bambino si arrampichi sul passeggino. Sollevare sempre il bambino dentro e fuori dal passeggino.
- ! Per evitare di intrappolarsi le dita, fare attenzione quando si chiude o si apre il passeggino.
- ! Per evitare lesioni, assicurarsi che il bambino venga allontanato quando si chiude o si apre il prodotto.
- ! Per garantire la sicurezza del bambino, assicurarsi che tutte le parti siano assemblate e fissate correttamente prima di usare il passeggino.
- ! Per evitare lo strangolamento, assicurarsi che il bambino sia lontano dalla capottina e dal parapioggia.
- ! Inserire sempre i freni quando si parcheggia il passeggino.
- ! Cessare di utilizzare il passeggino, se danneggiato o rotto.

- ! Il passeggino deve essere utilizzato esclusivamente per passeggiare. Questo prodotto non deve essere utilizzato quando si pratica jogging.
- ! Per evitare il soffocamento, rimuovere il sacchetto di plastica e i materiali di imballaggio prima di usare questo prodotto. Il sacchetto di plastica e i materiali di imballaggio devono quindi essere tenuti lontano dalla portata dei bambini.
- ! Questo prodotto non è adatto per correre o pattinare.
- ! Per i passeggini concepiti per i neonati, si consiglia di utilizzare la posizione più reclinata.
- ! Il freno di stazionamento deve essere inserito quando si mette o toglie il bambino.
- ! Per il dispositivo di ritenuta per bambini usato in combinazione con una struttura, questo passeggino non sostituisce una culla o un lettino. Se il bambino ha necessità di dormire deve essere messo nella sua culla o nel lettino.
- ! Cessare di usare la navicella non appena il bambino è in grado di stare seduto da solo, rovesciarsi, rialzarsi con le mani e mettersi in ginocchio. Peso massimo del bambino: 9 kg.
- ! NON utilizzare o aggiungere materassini diversi da quello fornito con la navicella.
- ! Non attaccare oggetti al maniglione di spinta, allo schienale o ai lati del passeggino. Qualsiasi ulteriore carico influisce sulla stabilità del passeggino e potrebbe causare il ribaltamento del passeggino.
- ! Nessun altro materasso deve essere aggiunto a meno che non sia consigliato dal produttore.
- ! Non chiudere il telaio quando la seduta è rivolta all'indietro.

Montaggio del passeggino

(Fare riferimento alle figure a pagina 1-12)

Leggere tutte le istruzioni del presente manuale prima di montare e usare il prodotto.

Apertura del passeggino

vedere le figure 1 - 3

Separare il fermo di chiusura dal supporto fermo di chiusura ①, quindi sollevare il maniglione di spinta verso l'alto ②. Quando si sente un clic, significa che il passeggino è completamente aperto.

! Premere il supporto per i piedi verso il basso e ripristinarlo. ③ - 1

! Fissare il pulsante sotto il supporto per la gamba. ③ - 2

! Verificare che il passeggino sia completamente bloccato prima di continuare ad utilizzarlo.

Montaggio e rimozione della ruota anteriore

vedere le figure 4 - 5

Montaggio e rimozione della ruota posteriore

vedere le figure 6 - 8

Montaggio della capottina

vedere le figure 9 - 10

Montaggio e rimozione del maniglione di sicurezza

vedere le figure 11 - 12

Il passeggino completamente assemblato è mostrato in 13

Funzionamento del passeggino

Regolazione dello schienale

vedere le figure 14 - 15

Vi sono 5 angoli di reclinazione per lo schienale.

Reclinare lo schienale

Per reclinare lo schienale, premere il maniglione di spinta di reclinazione sul retro della seduta e tirare verso il basso lo schienale. 14

Sollevare lo schienale

Per sollevare lo schienale, spingere verso l'alto. 15

! Assicurarsi che la reclinazione sia regolata correttamente per l'uso.

! Il carico massimo della tasca portaoggetti sul retro dello schienale è di 0,45 kg.

Uso della fibbia

vedere le figure 16 - 17

Rilascio della fibbia

Premere il pulsante centrale per rilasciare la fibbia. 16

Chiusura della fibbia

Far combaciare la fibbia della cintura addominale con quella delle spalle 17 - 1, quindi fare clic nella fibbia centrale. 17 - 2 Quando si sente il "clic" significa che la fibbia è bloccata. 17 - 3

! Per evitare gravi lesioni a seguito di caduta o scivolamento, allacciare il bambino con le cinture.

! Assicurarsi che il bambino sia perfettamente allacciato. Lo spazio tra il bambino e la cintura per le spalle deve essere di circa lo spessore di una mano.

! Non incrociare le cinture per le spalle. Ciò provocherà pressione sul collo del bambino.

Uso delle cinture per le spalle e inguinali

vedere le figure 16 - 21

! Per proteggere il bambino dalla caduta, dopo averlo posizionato nella seduta, verificare che le cinture per le spalle e inguinali siano all'altezza e della lunghezza conformi.

16 - 1 Punto di attacco della cintura per le spalle A

16 - 2 Punto di attacco della cintura per le spalle B

16 - 3 Dispositivo di regolazione scorrimento

Per i bambini più grandi, utilizzare il punto di attacco della cintura per le spalle A e le fessure superiori per le spalle. Per i bambini più piccoli, utilizzare il punto di attacco della cintura per le spalle B e le fessure inferiori per le spalle.

! La posizione del punto di attacco della cintura per le spalle può essere regolata dall'apertura superiore chiusa da dispositivi di fissaggio o dalla tasca inferiore. 19 - 1

Per regolare la posizione del punto di attacco della cintura per le spalle, girare il punto di attacco in modo che sia in piano con il lato rivolto in avanti. Infilarlo nella fessura della cintura per le spalle dalla parte posteriore a quella anteriore. 19 Infilarlo di nuovo nella fessura più vicina all'altezza delle spalle del bambino. 20

Utilizzare il dispositivo di regolazione scorrimento per modificare la lunghezza delle cinture. 21 - 1

Premere il pulsante 21 - 2 mentre si tira la cintura inguinale alla lunghezza adeguata. 21 - 3

Regolazione della pedanina poggiamambe

vedere le figure 22 - 23

La pedanina poggiamambe ha 2 posizioni.

Per sollevare la pedanina poggiamambe, spingerla verso l'alto. 22 Quando si sente il "clic" significa che la pedanina poggiamambe è completamente bloccata.

Per abbassare la pedanina poggiamambe, premere i pulsanti di regolazione su entrambi i lati della pedanina poggiamambe 23 - 1 e ruotarla verso il basso. 23 - 2

Uso del blocco delle ruote anteriori piroettanti

vedere figura 24

Ruota anteriore in stato di blocco o sblocco come mostrato in 24.

Suggerimento Raccomandiamo di utilizzare i blocchi ruote anteriori piroettanti sulle superfici irregolari.

Uso dei freni

vedere le figure 25 - 26

Per bloccare le ruote, portare la leva del freno verso il basso. 25

Per rilasciare le ruote, basta sollevare verso l'alto la leva del freno. 26

Suggerimento Applicare sempre il freno di stazionamento quando il passeggino non è in movimento.

Uso della capottina

vedere le figure 27 - 28

La capottina può essere aperta o chiusa, tirata in avanti o all'indietro.

La capottina può essere aperta completamente per proteggere il bambino dal sole. Basta aprire la cerniera 27 e tirare la capottina in avanti.

Sulla capottina è presente una finestrella, attraverso la quale si può osservare il bambino. 28

Regolazione del maniglione di spinta

vedere figura 29

Il maniglione di spinta ha 3 posizioni.

Regolazione dell'altezza della seduta

vedere le figure 30 - 31

La seduta ha 3 posizioni.

Sollevare la seduta per aumentarne l'altezza. 30

Premere i pulsanti di regolazione dell'altezza della seduta e tirare verso l'alto, quindi spingere verso il basso per diminuire l'altezza della seduta. 31

Inversione della seduta

vedere le figure 32 - 33

La seduta può essere girata, il che fa sì che madre e bambino possano trovarsi faccia a faccia.

Premere i pulsanti di sgancio della seduta mentre si solleva la seduta. Girare la seduta in direzione opposta, quindi inserirla negli appositi sostegni.

Entrambi i sostegni della seduta devono essere in piano come mostrato in 33. Se si verificano le situazioni mostrate in 32 & 33, premere i pulsanti di regolazione dell'altezza della seduta e tirare verso l'alto, quindi spingere verso il basso per diminuire l'altezza della seduta per assicurarsi che i sostegni della seduta siano in piano. 35

Uso del cestello portaoggetti

vedere figura 36

Per evitare una condizione di instabilità pericolosa, non introdurre oltre 4,5 kg nel cestello portaoggetti e nella borsa portaoggetti.

Chiusura del passeggino

vedere le figure 40 - 43

! Chiusura la capottina prima di chiudere il passeggino.

Premere il pulsante di chiusura e sollevare. 40 quindi ruotare il maniglione di spinta verso il basso, 41 il fermo di chiusura può bloccarsi automaticamente. 42

! Se la seduta è nella posizione inferiore, può scorrere verso il basso mentre si chiude il passeggino per assicurarsi che il fermo di chiusura si blocchi automaticamente.

! Non chiudere il telaio quando la seduta è rivolta all'indietro. 43

! Non chiudere il telaio quando il blocco ruote anteriori piroettanti è bloccato.

! Il passeggino con seduta rivolta in avanti può rimanere in piedi quando il maniglione di spinta è nella posizione più alta.

Uso degli accessori

Gli accessori potrebbero essere venduti separatamente o non essere disponibili a seconda della regione.

Uso del parapioggia

vedere figura 44

Per montare il parapioggia, collocarlo sopra la seduta.

! Quando si usa il parapioggia, controllare sempre la ventilazione.

! Se non viene utilizzato, controllare che il parapioggia sia pulito e asciutto prima di chiuderlo.

! Non chiudere il passeggino dopo aver montato il parapioggia.

! Non far sedere il bambino nel passeggino con il parapioggia montato quando fa caldo.

Uso con dispositivo di ritenuta per bambini

vedere le figure 45 - 49

Quando si utilizza il dispositivo di ritenuta per bambini Joie i-Snug 2, i-Gemm 3, i-Level Recline, i-Jemini e Gemm, consultare le seguenti istruzioni.

! Quando si sente il "clic" significa che l'adattatore è completamente bloccato.

! L'angolo del dispositivo di ritenuta per bambini può essere regolato con gli adattatori regolabili. 47

! L'adattatore ha 3 posizioni. Non utilizzare il prodotto quando la testa del bambino è ad un'altezza inferiore rispetto ai piedi dopo aver fissato il dispositivo di ritenuta per bambini.

! In caso di problemi con l'uso del dispositivo di ritenuta per bambini, fare riferimento ai relativi manuali di istruzioni.

! Non chiudere il passeggino se il dispositivo di ritenuta per bambini è ancora fissato.

Uso con la navicella Joie Ramble, Ramble XL

vedere le figure 50 - 53

Quando si utilizza con la navicella Joie ramble, ramble xl, consultare le seguenti istruzioni.

! In caso di problemi con l'uso della navicella, fare riferimento ai relativi manuali di istruzioni.

! Non utilizzare il prodotto quando la testa del bambino è ad un'altezza inferiore rispetto ai piedi dopo aver fissato la navicella.

! Quando si usa la navicella, usare sempre anche il materassino.

! Non chiudere il passeggino quando è fissata la navicella.

Uso con la navicella Joie Calmi

vedere le figure 54 - 57

Quando si utilizza con la navicella Joie Calmi, consultare le seguenti istruzioni.

! Quando si sente il "clic" significa che l'adattatore è completamente bloccato.

! Quando si usa la navicella, usare sempre anche il materassino.

! Controllare che la rete nella parte inferiore della navicella sia fissata correttamente prima di installare la navicella.

! In caso di problemi con l'uso della navicella, fare riferimento ai relativi manuali di istruzioni.

! Non chiudere il passeggino quando è ancora agganciata la navicella.

Rimozione e montaggio del rivestimento imbottito

vedere le figure 58 - 63

1. Rimuovere il maniglione di sicurezza mostrato come 12

2. Aprire la fibbia sulla parte inferiore della seduta. 59

Per rimontare il rivestimento imbottito del sedile, invertire le procedure di cui sopra 63 - 58

Pulizia e manutenzione

vedere figura 64

! Per pulire la struttura del passeggino, utilizzare solo una soluzione di sapone e acqua calda. Non usare candeggina o detergente. Fare riferimento all'etichetta con le istruzioni di lavaggio per pulire il tessuto del passeggino.

! Il rivestimento imbottito rimovibile può essere lavato in lavatrice. Non usare candeggina. Non attorcigliare la fodera e l'imbottitura interna per asciugare con grande forza. Si potrebbero lasciare grinze sulla fodera e l'imbottitura interna.

! Controllare periodicamente la presenza di viti allentate, componenti usurati, materiali strappati o scuciti nel passeggino. Se necessario, sostituire o riparare i componenti. Pulire periodicamente le parti in plastica con un panno umido. Asciugare sempre le parti di metallo per evitare la formazione di ruggine se il passeggino entra in contatto con l'acqua.

! Un'eccessiva esposizione alla luce del sole potrebbe causare lo sbiadimento o la deformazione dei componenti.

! Se il passeggino si bagna, aprire la capottina e lasciarla asciugare completamente prima di riparla.

! Se le ruote cigolano, utilizzare un olio leggero (ad esempio, spray al silicone, olio antiruggine o olio per macchine da cucire). È importante oliare l'assieme asse e ruota. 65

! Quando si utilizza il passeggino in spiaggia o altri ambienti sabbiosi/polverosi, pulirlo completamente dopo l'uso per rimuovere sabbia e sale dai meccanismi e dall'assieme ruota.

HU Üdvözli a Joie™

Gratulálunk, hogy Ön is a Joie család tagja lett! Nagyon örülünk, hogy részesei lehetünk a kisgyereke életútjának. A Joie Alore babakocsival való utazás során Ön egy kiváló minőségű, teljes mértékben hitelesített babakocsit használ, amely az EN 1888-2:2018+A1:2022 európai biztonsági szabványok szerint engedélyezett. A gyerekágy 22kg-os vagy 4 éves gyerekek megfelelő, amelyik hamarabb bekövetkezik. Kérjük figyelmesen olvassa el ezt a kézikönyvet és kövesse a lépéseket, hogy kényelmes utazást és a legjobb védelmet biztosítsa a gyermekének.

FONTOS - OLVASSA EL FIGYELMESEN, ÉS ŐRIZZE MEG A KÉSŐBBI HASZNÁLATRA.

Látogasson el a joiebaby.com weboldalra, ahol letöltheti a kézikönyveket és további izgalmas Joie termékeket talál!

Garanciális információkért kérjük, látogasson el weboldalunkra a joiebaby.com oldalon.

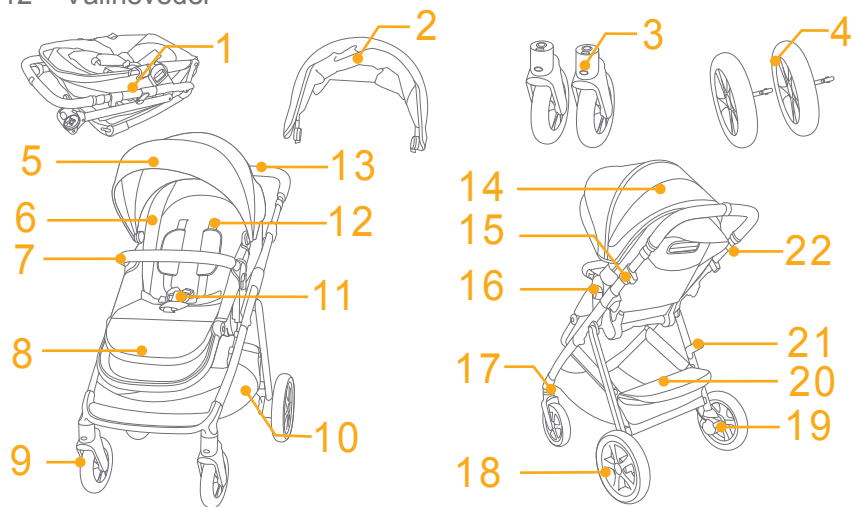
Sürgősség

Vészhelyzet vagy baleset esetén a legfontosabb, hogy gyermekét azonnal elsősegélyben és orvosi ellátásban részesítse.

Alkatrészek listája

Győződjön meg róla, hogy minden alkatrész rendelkezésre áll az összeszerelés előtt. Ha bármelyik alkatrész hiányzik, kérjük, forduljon a helyi kiskereskedőhöz. Az összeszereléshez nincs szükség szerszámokra.

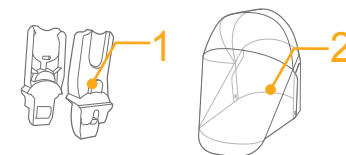
- | | | | |
|----|-----------------|----|----------------------|
| 1 | Babakocsi keret | 13 | Fogantyú |
| 2 | Baldachin | 14 | Baldachin ablak |
| 3 | Első kerék | 15 | Összehajtó gomb |
| 4 | Hátulsó kerék | 16 | Ülés kioldó gomb |
| 5 | Baldachin | 17 | Elfordító zár |
| 6 | Üléspárna | 18 | Hátulsó kerék |
| 7 | Kartartó | 19 | Fékkar |
| 8 | Lábtartó | 20 | Hordtáska |
| 9 | Első kerék | 21 | Tárolóretesz |
| 10 | Tárolókosár | 22 | Fogantyú állító gomb |
| 11 | Csat | | |
| 12 | Vállheveder | | |



Tartozékok

(Lehet, hogy nem tartalmazza)

- 1 Adapter (bizonyos modelleknél)
- 2 Esővédő (bizonyos modelleknél)



Tartozékokat árulhatnak külön vagy megtörténhet hogy nem elérhetők a régiótól függően.

FIGYELMEZTETÉS

- ! Mindig használja az ülésrendszert. A biztonsági öveket és rögzítő rendszereket helyesen kell használni.
- ! Használat előtt győződjön meg, hogy minden záró eszköz be van kapcsolva.
- ! Ne engedje a gyermeket játszani ezzel a termékkel.
- ! Használat előtt ellenőrizze, hogy a gyerekkocsi szerkezete és az ülés vagy autós gyerekülés tartozék eszközei helyesen vannak összeszerelve.
- ! Az összeszerelést felnőtt személynek kell elvégeznie.
- ! Előre néző módban használható születéstől 22 kg-ig vagy 4 éves korig.
- ! Soha ne hagyja a gyermeket felügyelet nélkül. A gyermeket mindig tartsa szem előtt, amíg a gyerekkocsiban van.
- ! A gyerekkocsit egyszerre csak egy gyermek használja. Soha ne helyezzen pénztárcát, bevásárlótáskát, csomagot vagy kiegészítő tárgyakat a fogantyúra vagy az előtetőre.
- ! A gyártó által nem jóváhagyott tartozékokat ne használja. Csak a gyártó által szállított vagy ajánlott cserealkatrészeket használja.
- ! A túlterhelés, a helytelen hajtogatás vagy a más gyártótól származó alkatrészek használata a babakocsi sérülését, törését vagy nem biztonságos használatát okozhatja. Kérjük, figyelmesen olvassa el a használati útmutatót.
- ! A termék használata előtt olvassa el az útmutatóban lévő összes utasítást. Kérjük, őrizze meg a használati útmutatót a jövőbeni felhasználásra. A figyelmeztetések és útmutatások figyelmen kívül hagyása komoly sérülést vagy halált okozhat.
- ! A leesésből vagy kicsúszásból eredő súlyos sérülések elkerülése érdekében mindig használja a biztonsági övet.
- ! Győződjön meg, hogy a gyermek teste nem akad be a mozgó alkatrészekbe amikor a gyerekkocsit állítja.

- ! Győződjön meg, hogy a gyerekkocsi teljesen ki van nyitva, vagy össze van csukva mielőtt a gyermeket a gyerekkocsi közelébe engedi.
- ! Ha nem használja a hámszíjakat, a gyermek becsúszhat a lábnyílásokba és becsípheti a kocsit.
- ! Soha ne használjon gyerekkocsit lépcsőkön vagy mozgólépcsőkön.
- ! Tartsa távol magas hőmérsékletű tárgytól, folyadéktól és elektronikától.
- ! Soha ne engedje a gyermeknek hogy felálljon a gyerekkocsira vagy úgy üljön a gyerekkocsiba hogy a feje a kocsi eleje felé legyen.
- ! Soha ne hagyja a gyerekkocsit az úton, lejtőkön vagy veszélyes zónákban.
- ! Az esetleges fulladások megelőzése érdekében NE tegyen zsinórral ellátott tárgyakat a gyermek nyaka köré, ne függessen fel zsinórokat a gyermekágyra, és ne kössön zsinórokat a játékokra.
- ! Bármilyen teher amit a fogantyúra, a háttámlára és/vagy a jármű oldalára helyez, a gyerekkocsi stabilitását befolyásolhatja.
- ! NE emelje fel a gyerekkocsit amíg a gyermek a kocsiban van.
- ! NE használja a tároló kosarat gyerekhordozónak.
- ! A gyerekkocsi feldőlésének megelőzése érdekében soha ne engedje a gyermeket felmászni rá. Mindig emelje ki és be a gyermeket a gyerekkocsiból.
- ! Kerülje el az ujj becsípését, figyeljen oda amikor összehajtja vagy kinyitja a gyerekkocsit.
- ! A sérülések elkerülése érdekében bizonyosodjon meg, hogy a gyermek távol van tartva amikor összehajtja vagy kinyitja a terméket.
- ! A gyermek biztonságának érdekében kérjük győződjön meg, hogy minden alkatrész össze van szerelve és megfelelően meg van húzva mielőtt a gyerekkocsit használja.
- ! Ahhoz, hogy megelőzze a fulladást, győződjön meg hogy a gyermek távol van az üléstől.
- ! Mindig használja a fékeket amikor leparkolja a gyerekkocsit.
- ! Ne használja tovább a gyerekkocsit ha sérült vagy törött.

- ! A gyerekkocsit csak lépésben használja. Ez a termék nem kocogásra készült.
- ! A fulladás elkerülése érdekében távolítsa el a műanyag zacskókat és csomagoló anyagokat mielőtt a terméket használná. A műanyag zacskót és a csomagoló anyagokat ezután a csecsemőktől és gyerekektől távol kell tartani.
- ! Ez a termék nem megfelelő kocogásra vagy görkorcsolyázásra.
- ! A születéstől használható gyerekkocsikat ajánlott a legjobban megdöntött helyzetben használni újszülött gyerekeknél.
- ! A parkoló eszközt kapcsolja be amikor behelyezi és kiveszi a gyereket.
- ! Az alvázzal együtt használt gyermekbiztonsági rendszerek esetében ez a babakocsi nem helyettesíti a kiságyat vagy az ágyat. Ha gyermekének aludnia kell, akkor megfelelő babakocsiba, kiságyba vagy ágyba kell helyezni.
- ! A hordozóágyat nem szabad használni, amint a gyermek képes egyedül ülni, megfordulni és négykézlábra állni. A gyermek maximális súlya: 9 kg.
- ! NE használjon vagy ne adjon hozzá semmilyen matracot, mást mint amit a hordozókosárral szállítottak.
- ! Ne csatoljon elemeket a fogantyúhoz, üléstámlára vagy a gyerekkocsi oldalára. Bármilyen további teher a gyerekkocsi stabilitását befolyásolja és a gyerekkocsi felbillenését okozhatja.
- ! Ne használjon további matracokat, kivéve ha a gyártó ajánlja.
- ! Kérjük, ne hajtsa össze a keretet, ha az ülés hátrafelé néz.

Gyerekkocsi összeszerelése

(Lásd az ábrákat az 1-12 oldalon levő ábrákat)

Kérjük, a termék összeszerelése és használata előtt olvassa el a jelen kézikönyvben található összes utasítást.

Nyitott babakocsi

Lásd a képeket 1 - 3

Különítse el a tároló reteszt a tároló tartórol 1, majd emelje felfelé a fogantyút 2, a kattató hang azt jelenti, hogy a babakocsi teljesen kinyílt.

! Nyomja le a lábtartót és állítsa vissza. 3 - 1

! Kérjük, csatolja a gombot a vádlítámasz alá. 3 - 2

! Ellenőrizze hogy a gyerekkocsi teljesen kinyitva rögzült, mielőtt tovább használná.

Első kerék összerakása és leszerelése

Lásd a képeket 4 - 5

Hátulsó kerék összerakása és leszerelése

Lásd a képeket 6 - 8

A baldachin összeszerelése

Lásd a képeket 9 - 10

Karfa összeszerelése és levétele

Lásd a képeket 11 - 12

A teljesen összeszerelt gyerekkocsit az ábra mutatja 13

A babakocsi működése

Háttámla beállítása

Lásd a képeket 14 - 15

A háttámla 5 szögbe állítható.

Háttámla döntése

A háttámla döntéséhez szorítsa meg a döntő fogantyút az ülés hátoldalán és húzza le a háttámlát. 14

Háttámla emelése

A hátoldal felemelése 15

! Győződjön meg, hogy a döntés megfelelően van állítva a használathoz.

! A tárolószob maximum terhelése a hátoldalon 0,45 kg.

Csat használata

Lásd a képeket 16 - 17

Nyissa ki a csatot

Nyomja meg a középső gombot a csat kioldásához. 16

Zártsat

Párosítsa a csípőhámszíjat a vállzárral 17 - 1, és kattintsa be a középső csatba. 17 - 2 A „kattanó” hang azt jelenti a csat teljesen zárva van. 17 - 3

! A kiesés vagy kicsúszás miatt bekövetkező komoly sérülések megelőzése érdekében mindig rögzítse a gyereket hámszíjakkal.

! Győződjön meg, hogy a gyermek megfelelően rögzített. A gyermek és a vállvevő közötti tér körülbelül egy tenyérnyi vastagságú.

! Ne keresztezze a vállszíjakat. Ez nyomást gyakorol a gyermek nyakára.

Használja a váll és csípőhámszíjat

Lásd a képeket 18 - 21

! Ahhoz hogy a gyereket megvédje a kieséstől, miután a gyereket behelyezte az ülésbe, ellenőrizze, hogy a váll és csípőhámszíjak megfelelő magasságban vannak és megfelelő hosszúságúak.

18 - 1 Vállheveder horgony A

18 - 2 Vállheveder horgony B

18 - 3 Csúsásbeállító

Nagyobb gyermek esetén használja a vállhámszíj A rögzítését és a legmagasabb vállréseket. Kisebb gyermek esetében használja a vállhámszíj B rögzítését és a legalsó vállréseket.

! A vállöv rögzítőjének pozíciója beállítható a rögzítővel zárt nyílás fölött vagy a zseb alatt. 18 - 1

A vállhámszíj rögzítő helyzetének állításához fordítsa a rögzítőt úgy, hogy szintben legyen és az oldala előre nézzen. Húzza át a vállhámszíj nyíláson hátulról előre. 18 Húzza át újra az a nyíláson amelyik a legközelebb áll a gyerek magasságához. 20

A hámszíj hosszának módosításához használja a csúszaállítót. 21 - 1

Nyomja meg a gombot 21 - 2, miközben a csípőhámszíjat húzza a megfelelő hosszúságra. 21 - 3

Állítsa be a vádlításmaszt

Lásd a képeket 22 - 23

A lábtartónak 2 helyzete van.

A lábtartó felemeléséhez nyomja felfele. 22 A "kattanó" hang azt jelenti, hogy a tartó teljesen rögzült.

A lábtartó leengedéséhez nyomja meg az állító gombokat a lábtartó mindkét oldalán 23 - 1 és fordítsa a lábtartót lefele. 23 - 2

Elülső elfordulásgátló használata

lásd a képen 24

Az első kerék zárolt vagy nem zárolt állapota a következők szerint 24.

Tipp Javasoljuk, hogy egyenetlen felületeken forgózárát használjon.

Fék használata

Lásd a képeket 25 - 26

A kerekek blokkolásához lépjen a fékkarra lefelé. 25

A kerekek oldásához csak emelje felfelé a fékkart. 26

Tipp Mindig állítsa be a rögzítőféket, ha a babakocsi nem mozog.

Ülés használata

Lásd a képeket 27 - 28

A baldachin kinyitható vagy összehajtható, húzza előre vagy hátra.

Az ülés teljesen kinyitható, hogy védje a gyereket a naptól, nyissa ki a zipzárt 27, majd húzza az ülést előre.

A baldachinon van egy ablak, amin keresztül láthatja a gyereket. 28

A fogantyú állítása

lásd a képen 29

A fogantyúnak 3 helyzete van.

Ülésmagasság beállítása

lásd a képeket 30 - 31

Az ülésnek 3 pozíciója van.

Az ülés magasság növeléséhez húzza fel az ülést. 30

Nyomja meg az ülés magasság-állító gombokat, és húzza felfelé, majd nyomja lefelé az ülés magasság csökkentéséhez. 31

Ülés cseréje

lásd a képeket 32 - 33

Az ülés cserélhető, így az anya és a gyermek szemtől szemben ülhet egymással.

Szorítsa meg a szék kioldó gombját miközben kiemeli az ülést. Fordítsa az ülést a fordított irányba, majd helyezze be az ülést az ülésrögzítőbe.

Mindkét üléstartónak vízszintesnek kell lennie 32, ha a 34 & 35 -ként ábrázolt helyzetek előfordulnak, kérjük, nyomja meg az ülés magasság-állító gombot, és húzza felfelé, majd nyomja lefelé az ülés magasság csökkentéséhez, hogy mindkét üléstartó vízszintes legyen. 36

Tárolókosár használata

lásd a képen 39

Hogy megelőzzön egy veszélyes, instabil helyzetet, ne tegyen 4,5 kg-nál nagyobb súlyt a tároló kosárba és a tárolótáskába.

Gyerekkocsi összehajtása

Lásd a képeket 40 - 43

! Kérjük hajtsa le az ülést mielőtt összehajtaná a gyerekkocsit.

Nyomja meg az összecukó gombot és húzza felfelé, 40 majd forgassa lefelé a fogantyút, 41 a hajtókar automatikusan reteszelve. 42

! Ha az ülés az alsó pozícióban van, akkor a babakocsi összecukása közben lefelé csúsztatva, hogy az összecukható retesz automatikusan reteszelve. 42

! Kérjük, ne hajtsa össze a keretet, ha az ülés hátrafelé néz. 43

! Kérjük, ne hajtsa össze a keretet, ha az első kerék elfordítható zárja zárva van.

! Az előrefelé néző üléssel ellátott babakocsi akkor tud állni, ha a fogantyú a legmagasabb helyzetben van.

Tartozékok használata

Tartozékokat árulhatnak külön vagy megtörténhet hogy nem elérhetők a régiótól függően.

Az esőtakaró használata

lásd a képen 44

Az eső elleni borító összeszereléséhez helyezze ezt az ülés fölé.

! Amikor használja az eső elleni borítót, kérjük mindig ellenőrizze a szellőzést.

! Amikor nem használja, kérjük ellenőrizze hogy az eső elleni borítót megtisztította és megszáritotta mielőtt összehajtja.

! Az eső elleni borító használatakor ne hajtsa össze a gyerekkocsit.

! Meleg időben ne tegye a gyereket a gyerekkocsiba ha az eső elleni borítót felszerelte.

Használat csecsemőhordozóval

Lásd a képeket 45 - 49

Ha a Joie i-Snug 2 & i-Gemm 3 & i-Level Recline & i-Jemini & Gemm gyermekbiztonsági rendszerrel használja, kérjük, olvassa el a következő utasításokat.

! A „kattanó” hang azt jelenti a csat teljesen zárva van.

! A gyermekbiztonsági rendszer szöge állítható az állítható adaptereinkkel. 47

! Az adapter 3 pozícióval rendelkezik. Kérjük, ne használja a terméket, ha a csecsemő feje a gyermekbiztonsági rendszer csatlakoztatása után a lábaknál lejjebb van.

! Amennyiben problémája adódik a csecsemőhordozó használatával, kérjük olvassa el ezek kezelési útmutatóját.

! Kérjük ne hajtsa össze a gyerekkocsit, ha a csecsemőhordozó még mindig fel van szerelve.

Használható Joie Ramble, Ramble XL hordozóágyakkal

Lásd a képeket  - 

Amikor Joie hordozó kosárral és ramble xl-el együtt használja, kérjük olvassa el az alábbi utasításokat.

! Amennyiben problémája adódik a hordozó kosár használatával, kérjük olvassa el ezek kezelési útmutatóját.

! Kérjük, ne használja a terméket, ha a baba feje alacsonyabb, mint a lábak, miután csatlakoztatta a hordozóágyat.

! A hordozókosár használatakor mindig használjon matracot.

! Kérjük ne hajtsa össze a gyerekkocsit, amikor a hordozó kosarat csatolta.

A Joie Calmi hordozókosárhoz használható

Lásd a képeket  - 

Amikor Joie Calmi hordozókosárral együtt használja, kérjük olvassa el az alábbi utasításokat.

! A „kattanó” hang azt jelenti a csat teljesen zárva van.

! A hordozókosár használatakor mindig használjon matracot.


! Kérjük ellenőrizze, hogy a hordozókosár alján levő háló megfelelően rögzítve van mielőtt a hordozókosarat felszerelné.

! Amennyiben problémája adódik a hordozó kosár használatával, kérjük olvassa el ezek kezelési útmutatóját.

! Kérjük ne hajtsa össze a gyerekkocsit, ha a hordozókosár még mindig fel van szerelve.

A puha belsők eltávolítása és felhelyezése

Lásd a képeket  - 

1. Távolítsa el a karfát amint az ábrán látható 

2. Nyissa ki a csatot amely az ülés alján van. 

A puha belsők visszaszereléséhez kövesse a fenti lépéseket fordított sorrendben  - 

Tisztítás és karbantartás

lásd a képen 

! A gyerekkocsi keretet kizárólag háztartási szappannal és meleg vízzel tisztítsa meg. Ne használjon fehérítőt vagy mosószeret. A gyerekkocsi szöveggel bevont részeinek tisztítását illetően tekintse meg a kezelésre vonatkozó címkén lévő utasításokat.

! Az eltávolítható puha belsők mosógépben moshatók. Nem szabad fehéríteni. Ne csavarja az ülészutatot vagy a belső bélést, hogy nagy erővel szárítsa. Ráncos maradhat az ülészutat és a belső bélés.

! Rendszeres időközönként ellenőrizze, hogy nincsenek-e meglazult csavarok, elhasználódott alkatrészek, illetve elszakadt anyagdarabok vagy varrások a gyerekkocsin. Szükség esetén cserélje le vagy javítsa meg az alkatrészeket. Időszakosan törölje tisztára a műanyag részeket egy nedves puha ronggyal. Mindig szárítsa meg a fémrészeket, hogy megelőzze a rozsdázást, ha a gyerekkocsi vízzel érintkezett.

! Túlzott napfény vagy hő hatására az alkatrészek kifakulhatnak vagy deformálódhatnak.

! Ha a gyerekkocsi nedves lesz, nyissa ki az ülőkét és hagyja megszáradni tárolás előtt.

! Ha a kerekek nyikorognak, használjon olajat (pl. Szilikon spray, rozsdá gátló olaj vagy varrógépolaj). Fontos hogy az olaj a tengelyre és a kerékhez jusson. 

! Ha a gyerekkocsit strandon vagy nagyon homokos/poros helyen használja, használat után tisztítsa meg teljesen a gyerekkocsit hogy eltávolítsa a homokot és sót a fém és kerékrendszerből.

SL Dobrodošli pri znamki Joie™

Čestitamo vam, da ste postali član družine Joie! Veseli nas, da bomo del vašega življenja z malčkom. Medtem ko potujete z izdelkom Joie Alore, uporabljate visokokakovosten in popolnoma certificiran otroški voziček, odobren v skladu z evropskimi varnostnimi standardi EN 1888-2:2018+A1:2022. Ta izdelek je primeren za otroke s telesno težo do 22kg ali otroke, ki so stari do 4 leta, karkoli nastopi prej. Natančno preberite ta navodila in upoštevajte vse korake, da boste zagotovili udobno vožnjo in najboljšo zaščito za svojega otroka.

POMEMBNO – SKRIBNO PREBERITE IN SHRANITE ZA NADALJNJO UPORABO.

Obiščite spletno stran joiebaby.com, kjer lahko prenesete navodila in si ogledate tudi druge vznemirljive izdelke Joie!

Informacije o garanciji najdete na spletni strani joiebaby.com

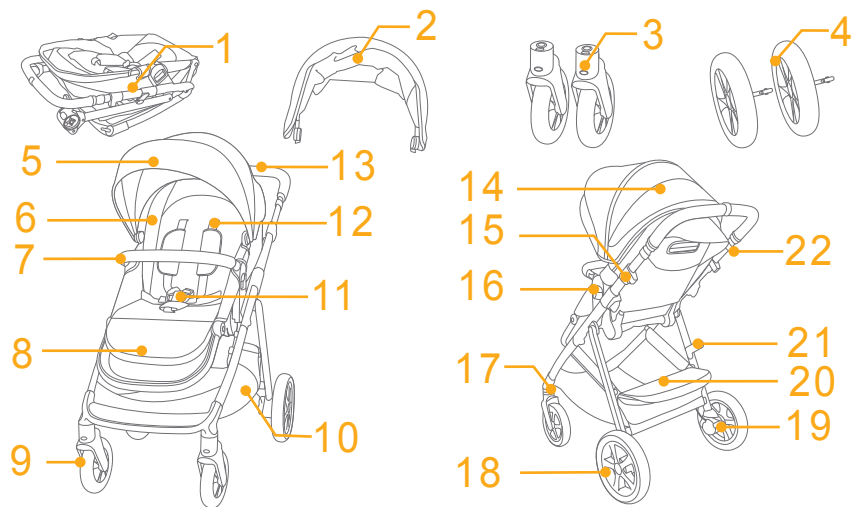
V nujnem primeru

V nujnem primeru ali v primeru nesreče je pomembno, da otroku takoj nudite prvo pomoč in obiščete zdravnika.

Seznam delov

Prepričajte se, da imate pred sestavljanjem izdelka na voljo vse dele. Če kateri od delov manjka, se obrnite na lokalnega prodajalca. Za sestavljanje izdelka ne potrebujete nobenega orodja.

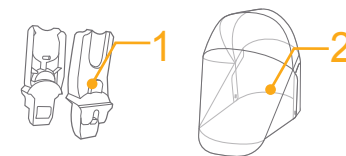
- | | |
|---------------------------|------------------------------|
| 1 Okvir vozička | 13 Ročaj |
| 2 Strehica | 14 Okno na strehici |
| 3 Sprednje kolo | 15 Gumb za zlaganje |
| 4 Zadnje kolo | 16 Gumb za sprostitev sedeža |
| 5 Strehica | 17 Zaklep vrtljivih koles |
| 6 Sedežna blazina | 18 Zadnje kolo |
| 7 Naslonjalo za roke | 19 Vzvod zavore |
| 8 Podpora za meča | 20 Torba za shranjevanje |
| 9 Sprednje kolo | 21 Zaklep za shranjevanje |
| 10 Nakupovalna košara | 22 Gumb za nastavitev ročaja |
| 11 Zaponka | |
| 12 Ramenski varnostni pas | |



Dodatna oprema

(Morda ni priložena)

- 1 Adapter (pri določenih modelih)
- 2 Dežno pregrinjalo (pri določenih modelih)



Dodatna oprema je na prodaj ločeno ali ni na voljo v vseh regijah.

OPOZORILO

- ! Vedno uporabljajte varnostne pasove. Varnostne pasove in sisteme zadrževanja uporabljajte pravilno.
- ! Pred uporabo se prepričajte, ali so vse zaklepne naprave aktivirane.
- ! Otrok se z izdelkom ne sme igrati.
- ! Pred uporabo preverite, ali so ohišje otroškega vozička, sedež oziroma priključne naprave za avtosedež pravilno aktivirani.
- ! Izdelek mora sestaviti odrasla oseba.
- ! Ta izdelek je primeren za otroke s telesno težo do 22kg ali otroke, ki so stari do 4 leta, karkoli nastopi prej.
- ! Da preprečite nevarno in nestabilno stanje, je največja dovoljena obremenitev nakupovalne košare 4,5kg.
- ! Otroka nikoli ne pustite brez nadzora. Ko je otrok v vozičku, ga imejte vedno na očeh.
- ! Otroški voziček lahko uporablja le en otrok naenkrat. Nikoli ne odlagajte torbic, nakupovalnih vrečk, paketov ali dodatkov na ročaj ali strehico.
- ! Dodatne opreme, ki je ni odobril proizvajalec, ni dovoljeno uporabljati. Uporabljajte le nadomestne dele, ki jih dobavlja oziroma priporoča proizvajalec.
- ! Preobremenitev, napačno zlaganje ali uporaba delov drugih proizvajalcev lahko povzroči poškodbe otroškega vozička oziroma nevarnost pri uporabi. Priročnik z navodili natančno preberite.
- ! Pred uporabo izdelka preberite vsa navodila v priročniku. Priročnik z navodili shranite za kasnejšo uporabo. Neupoštevanje teh opozoril in navodil lahko povzroči resne telesne poškodbe ali smrt.
- ! Vedno uporabljajte varnostni pas, da preprečite resne poškodbe zaradi padca ali zdrsa otroka iz vozička.
- ! Prepričajte se, da je telo otroka umaknjeno od premičnih delov, ko spreminjate nastavitve vozička.

- ! Preden otroku dovolite priti v bližino vozička, se prepričajte, da je voziček povsem odprt ali zložen.
- ! Če ne uporabljate varnostnega pasu, lahko otrok zdrsne v odprtino za noge in se zadavi.
- ! Vozička nikoli ne uporabljajte na stopnicah ali tekočih stopnicah.
- ! Pazite, da izdelek ne bo v bližini vročih predmetov, tekočin in elektronike.
- ! Nikoli ne dovolite otroku, da v vozičku stoji ali sedi tako, da je z glavo obrnjen proti sprednjemu delu vozička.
- ! Vozička nikoli ne postavljajte na cesto, klančino ali druga nevarna območja.
- ! Da se izognete zadavitvi, NE polagajte predmetov z vrvico okoli otrokovega vratu, ne obešajte vrvic na ta izdelek oziroma na igrače na pritrjujete vrvic.
- ! Kakršno koli breme, pritrjeno na ročaj in/ali hrbtni del naslonjala in/ali na stranska dela otroškega vozička, bo vplivalo na stabilnost otroškega vozička.
- ! Vozička NE dvigujte, če je v njem otrok.
- ! Nakupovalne košare NE uporabljajte za prevažanje otroka.
- ! Da se voziček ne bo prekucnil, nikoli ne pustite otroku, da pleza v voziček. Otroka vedno odložite in dvignite iz vozička.
- ! Pri zlaganju in pripravi vozička pazite, da si ne uščipnete prstov.
- ! Med odpiranjem in zlaganjem tega izdelka se prepričajte, da v bližini ni otroka, in tako preprečite telesne poškodbe.
- ! Da bi zagotovili varnost otroka, se prepričajte, da so vsi deli pravilno sestavljeni in nameščeni, preden voziček uporabite.
- ! Da preprečite zadavitev, poskrbite, da otrok ne pride v stik s strehico.
- ! Vedno aktivirajte zavoro, kadar parkirate voziček.
- ! Če se voziček poškoduje ali zlomi, ga ne uporabljajte več.

- ! Voziček lahko uporabljate samo med hojo. Ta izdelek ni namenjen za uporabo med tekom.
- ! Da bi se izognili zadužitvi, pred uporabo odstranite plastično vrečko in embalažo. Plastično vrečko in embalažo hranite izven dosega dojenčkov in otrok.
- ! Izdelek ni primeren za uporabo pri teku ali rolanju.
- ! Pri vozičku, namenjenemu za uporabo od rojstva, priporočamo uporabo najbolj ležečega položaja za novorojenčke.
- ! Pri nameščanju in jemanju otroka iz vozička aktivirajte parkirno napravo.
- ! Pri uporabi lupinice skupaj s podvozjem upoštevajte, da ta voziček ne nadomešča zibelke ali postelje. V času spanja odložite otroka v primerno košaro otroškega vozička, zibelko ali posteljo.
- ! Prenosne posteljice ne uporabljajte, ko otrok že zna sedeti sam, se prekucniti ali se potiskati po rokah in nogah. Največja teža otroka: 9 kg.
- ! NE uporabljajte ali dodajajte nobenih vzmetnic razen tiste, ki je priložena košari.
- ! Na ročaj, hrbtišče ali ob strani vozička ne pritrjujte ničesar. Vsakršna dodatna obremenitev vpliva na stabilnost vozička in lahko povzroči, da se voziček prekucne.
- ! Ne uporabljajte dodatne vzmetnice, razen če to priporoča proizvajalec.
- ! Ohišja ne zlagajte, če je sedež usmerjen nazaj.

Sestavljanje otroškega vozička

(Glejte slike na straneh 1-12.)

Pred sestavljanjem in uporabo izdelka preberite vsa navodila v tem priročniku.

Odpiranje otroškega vozička

glejte slike 1 - 3

Zaklep za shranjevanje ločite od držala za shranjevanje 1 in nato ročaj dvignite. 2 Slišen klik pomeni, da je otroški voziček popolnoma odprt.

! Naslon za noge potisnite navzdol in ga ponovno nastavite. 3 - 1

! Gumb pritrdite pod oporo za meča. 3 - 2

! Pred nadaljnjo uporabo preverite, ali je voziček povsem razprt.

Sestavljanje in odstranjevanje sprednjega kolesa

glejte slike 4 - 5

Sestavljanje in odstranjevanje zadnjega kolesa

glejte slike 6 - 8

Sestavljanje strehice

glejte slike 9 - 10

Sestavljanje in odstranjevanje naslonjala za roke

glejte slike 11 - 12

Povsem sestavljen otroški voziček je prikazan na sliki 13

Upravljanje otroškega vozička

Nastavitev naslonjala

glejte slike 14 - 15

Hrbtno naslonjalo lahko namestite v 5 kote nagiba.

Spuščanje naslonjala

Če želite naslonjalo spustiti, stisnite ročaj za nagib, ki se nahaja na hrbtni strani sedeža in naslonjalo potisnite navzdol. 14

Dvigovanje naslonjala

Če želite naslonjalo dvigniti, ga potisnite navzgor. 15

! Prepričajte se, da je naslonjalo ustrezno nameščeno za uporabo.

! Največja teža žepa za shranjevanje na hrbtni strani naslona je 0,45 kg.

Uporaba zaponke

glejte slike 16 - 17

Sprostitev zaponke

Pritisnite sredinski gumb, da sprostite zaponko. 16

Zapenjanje zaponke

Zaponko trebušnega pasu poravnajte z zaponko ramenskih pasov 17 - 1 in ju vstavite v sredinsko zaponko, da se zaskočita. 17 - 2 Slišen klik pomeni, da je zaponka povsem zaklenjena. 17 - 3

! Otroka vedno pripnite z varnostnim pasom, da preprečite resne telesne poškodbe zaradi padca ali zdrsa otroka iz vozička.

! Prepričajte se, da je otrok trdno pripet. Med otrokom in ramenskim varnostnim pasom je lahko prostora za približno debelino ene roke.

! Ramenskih pasov ne prekrizajte. V nasprotnem primeru bodo pasovi obremenili otrokov vrat.

Uporaba ramenskih in trebušnega varnostnega pasu

glejte slike 18 - 21

! Da otroka zaščitite pred padcem iz vozička, potem ko že sedi v njem preverite, ali sta ramenska in trebušni varnostni pas na ustrezni višini in ustrezno dolgi.

18 - 1 Zaponka ramenskega varnostnega pasu A

18 - 2 Zaponka ramenskega varnostnega pasu B

18 - 3 Nastavek za nastavek zaponke

Pri večjih otrocih uporabite ramenska pasova z zaponko A in najvišje ramenske reže. Pri manjših otrocih uporabite ramenska pasova z zaponko B in nižje ramenske reže.

! Položaj sidrišča ramenskega pasu je mogoče prilagoditi z zgornje strani odprtine, ki se zapira s sponkami, ali pod žepom. 19 - 1

Položaj ramenskega pasu z zaponko prilagodite tako, da je zaponke poravnana s stranjo, obrnjeno naprej. Povlecite ga skozi režo za ramenski pas od zadaj naprej. 19 Ponožno ga povlecite skozi režo, ki je najbližje višini ramen otroka. 20

Uporabite nastavek za nastavek zaponke, da spremenite dolžino pasu. 21 - 1

Pritisnite gumb 21 - 2 in hkrati povlecite trebušni varnostni pas na zeleno dolžino. 21 - 3

Nastavek podpore za meča

glejte slike 22 - 23

Podporo za meča je mogoče namestiti v 2 položaja.

Če želite dvigniti podporo za meča, jo potisnite navzgor. 22 Slišen klik pomeni, da je podpora povsem zaklenjena.

Če želite znižati podporo za meča, nastavitvena gumba na obeh straneh podpore za meča 23 - 1 in podporo za meča zavrtite navzdol. 23 - 2

Uporaba zaklepa sprednjih vrtljivih koles

Glejte sliko 24

Zaklenjeno ali odklenjeno stanje sprednjega kolesa 24.

Nasvet Na neravnih površinah priporočamo uporabo zaklepa vrtljivih koles.

Uporaba zavore

glejte slike 25 - 26

Če želite zakleniti kolesa, z nogo potisnite vzvod zavore navzdol. 25

Če želite odkleniti kolesa, dvignite vzvod zavore. 26

Nasvet Kadar se otroški voziček ne premika, vedno aktivirajte parkirno zavoro.

Uporaba strehice

glejte slike 27 - 28

Strehica je lahko odprta ali zaprta, kar pomeni, da jo povlecite naprej ali nazaj.

Strehica je lahko popolnoma odprta, da vašega otroka povsem zaščiti pred soncem. Enostavno odprite zadrgo 27 in strehico povlecite naprej.

Na strehici se nahaja okno, skozi katerega lahko opazujete otroka. 28

Nastavek ročaja

Glejte sliko 29

Ročaj je mogoče namestiti v 3 položaje.

Nastavek višine sedeža

Glejte slike 30 - 31

Sedež ima 3 položaje.

Sedež povlecite navzgor, da povečate njegovo višino. 30

Pritisnite gumba za nastavek višine sedeža in povlecite navzgor, nato pa potisnite navzdol, da znižate višino sedeža. 31

Zamenjava sedeža

Glejte slike 32 - 33

Sedež je mogoče zamenjati, tako da se otrok imama gledata.

Stisnite gumba za sprostitve sedeža, medtem ko dvigate sedež. Sedež obrnite v nasprotno smer in ga vstavite v nastavka za sedež.

Oba nastavka za sedež morata biti vodoravna, kot je prikazano na sliki 33. Če pride do situacije, prikazane na slikah 32 & 33, pritisnite gumba za nastavek višine sedeža in povlecite navzgor, nato pa potisnite navzdol, da znižate višino sedeža, da zagotovite, da sta oba nastavka v isti višini. 33

Uporaba košare za shranjevanje

Glejte sliko 34

Da preprečite nevarno in nestabilno stanje, v košaro in torbo za shranjevanje ne dajte več kot 4,5 kg.

Zlaganje otroškega vozička

glejte slike 40 - 45

! Preden voziček zložite, zložite strehico.

Pritisnite gumb za zlaganje in potegnite navzgor, 40 nato ročaj zavrtite navzdol, 41 da se zapah za zlaganje lahko samodejno zaklene. 42

! Če je sedež v spodnjem položaju, lahko med zlaganjem vozička zdrsne navzdol, da se zapah za zaklepanje samodejno zaskoči.

! Ohišja ne zlagajte, če je sedež usmerjen nazaj. 43

! Ohišja ne zlagajte, ko je sprednje vrtljivo kolo zaklenjeno.

! Otroški voziček z naprej usmerjenim sedežem lahko stoji, ko je ročaj v najvišjem položaju.

Uporaba dodatne opreme

Dodatna oprema je na prodaj ločeno ali ni na voljo v vseh regijah.

Uporaba dežnega pregrinjala

Glejte sliko 46

Dežno pregrinjalo uporabite tako, da ga namestite čez sedež.

! Pri uporabi dežnega pregrinjala vedno preverite prezračevanje.

! Ko dežne prevleke ne uporabljate, jo očistite, posušite in nato zložite.

! Ne zlagajte vozička, če ste namestili dežno pregrinjalo.

! Ne nameščajte otroka v voziček z nameščenim dežnim pregrinjalom, kadar je vroče vreme.

Uporaba z zadrževalnim sistemom za dojenčka

glejte slike 45 - 46

Kadar izdelek uporabljate s sistemom za zadrževanje otrok i-Snug 2 & i-Gemm 3 & i-Level Recline & i-Jemini & Gemm, upoštevajte naslednja navodila.

! Slišen „klik“ pomeni, da je adapter popolnoma zaklenjen.

! Kot lupinice lahko prilagodite z našimi prilagodljivimi adapterji. 47

! Adapter ima 3 položaje. Izdelka ne uporabljajte, če je otrokova glava po pritrditvi sistema za zadrževanje otrok nižja od stopal.

! Če imate težave pri uporabi lupinice, glejte navodila za uporabo lupinice.

! Vozička ne zlagajte, če je lupinica še nameščena.

Uporabljajte skupaj s košaro za vozičke Joie Ramble, Ramble XL

glejte slike 50 - 53

Pri uporabi s košaro za voziček Joie ramble, ramble xl upoštevajte naslednja navodila.

- ! Če imate težave pri uporabi košare za voziček, glejte navodila za uporabo lupinice.
- ! Izdelka ne uporabljajte, če je otrokova glava po pritrditvi košare za voziček nižja od stopal.
- ! Kadar uporabljate košaro za voziček, vedno uporabljate vzmetnico.
- ! Kadar je košara za voziček nameščena, otroškega vozička ne zlagajte.

Uporabljajte skupaj s košaro za voziček Joie.Calmi

glejte slike 54 - 57

Kadar otroški voziček uporabljate s košaro za voziček Joie Calmi, upoštevajte naslednja navodila.

- ! Slišen „klik“ pomeni, da je adapter popolnoma zaklenjen.
- ! Kadar uporabljate košaro za voziček, vedno uporabljate vzmetnico.
- ! Preden namestite košaro za voziček, preverite, ali je mreža na dnu košare za voziček pravilno pritrjena.
- ! Če imate težave pri uporabi košare za voziček, glejte navodila za uporabo lupinice.
- ! Vozička ne zlagajte, če je košara za voziček še nameščena.

Odstranjevanje in nameščanje mehkih delov

glejte slike 58 - 60

1. Naslonjalo za roke odstranite, kot je prikazano na sliki 62
2. Odprite zaponko, ki se nahaja na dnu sedeža. 63

Za ponovno nameščanje mehkih delov sledite zgornjim korakom v obratnem vrstnem redu 60 - 63

Čiščenje in vzdrževanje

Glejte sliko 64

- ! Za čiščenje okvirja vozička uporabljajte samo gospodinjsko milo in toplo vodo. Ne uporabljajte belila ali detergenta. Za navodila glede čiščenja tekstilnih delov vozička glejte oznako za vzdrževanje.
- ! Snemljive mehke dele lahko strojno operete. Ne uporabljajte belila. Sedežne prevleke in notranjih podlog ne ožemajte z veliko silo z namenom, da bi se posušili. Lahko bi ostala zmečkana.
- ! Občasno voziček pregledajte za odвите vijake, obrabljene dele, strgan material ali šive. Po potrebi dele zamenjajte ali popravite. Plastične dele občasno obrišite z vlažno mehko krpo. Kovinske dele vedno obrišite do suhega, da preprečite rjavenje zaradi stika vozička z vodo.
- ! Pretirana izpostavljenost soncu ali vročini lahko povzroči bledenje posameznih delov tkanine in izgubo oblike.
- ! Če je voziček moker, odprite strehico in počakajte, da se povsem posuši, preden ga shranite.
- ! Če kolesa škripajo, uporabite lahko olje (npr. silikonsko olje proti rjavenju v spreju ali olje za šivalni stroj). Pomembno je, olje kanete v sklop osi in koles. 64
- ! Kadar otroški voziček uporabljate na plaži ali območjih, kjer je veliko prahu/peska, po uporabi voziček temeljito očistite, da odstranite pesek in sol iz mehanizmov in sklopov koles.

DE Willkommen bei Joie™

Wir begrüßen Sie als ein weiteres Mitglied der Joie-Familie! Wir freuen uns, Ihr kleines Kind auf Reisen zu begleiten. Während Sie mit Joie Alore unterwegs sind, nutzen Sie einen hochwertigen, vollständig zertifizierten Kinderwagen, der nach EU-Sicherheitsstandards EN 1888-2:2018+A1:2022 zertifiziert ist. Dieses Produkt eignet sich für Kinder bis 22 kg oder 4 Jahre, was auch immer zuerst eintritt. Lesen Sie diese Anleitung sorgfältig durch und beachten Sie die einzelnen Schritte zur Gewährleistung einer komfortablen Fahrt und optimalen Sicherheit für Ihr Kind.

WICHTIG - BITTE SORGFÄLTIG DURCHLESEN UND FÜR ZUKÜNFTIGE VERWENDUNG AUFBEWAHREN.

Besuchen Sie uns unter joiebaby.com, um Anleitungen herunterzuladen und weitere aufregende Joie-Produkte anzuschauen!

Garantieinformationen finden Sie auf unserer Webseite unter joiebaby.com

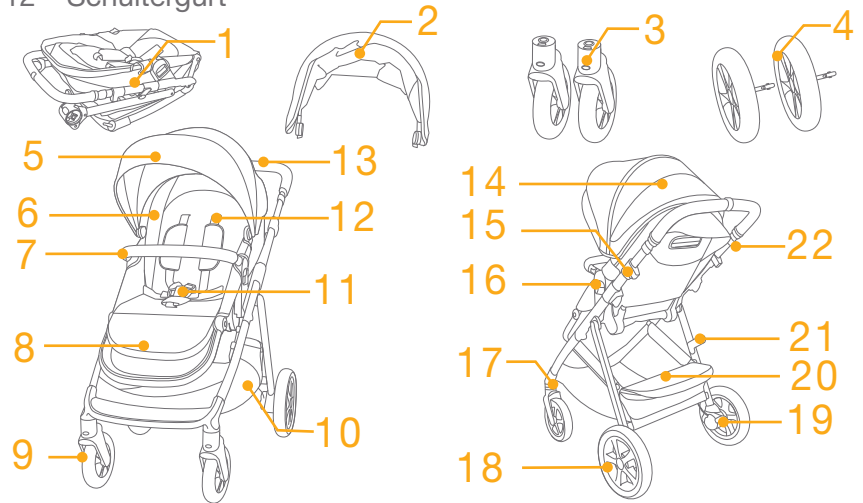
Notfall

Bei einem Notfall oder Unfall muss Ihr Kind unverzüglich erste Hilfe bekommen und medizinisch versorgt werden.

Teileliste

Überprüfen Sie vor der Montage, ob alle Teile vorhanden sind. Falls etwas fehlen sollte, wenden Sie sich an Ihren Händler vor Ort. Für die Montage werden keine Werkzeuge benötigt.

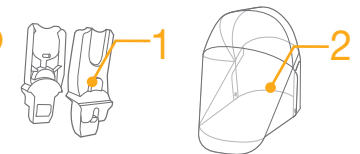
- | | | | |
|----|--------------------|----|----------------------------|
| 1 | Kinderwagengestell | 13 | Schiebebügel |
| 2 | Verdeck | 14 | Verdeckfenster |
| 3 | Vorderrad | 15 | Faltknopf |
| 4 | Hinterrad | 16 | Sitzfreigabeknopf |
| 5 | Verdeck | 17 | Lenksperre |
| 6 | Sitzpolster | 18 | Hinterrad |
| 7 | Armlehne | 19 | Bremshebel |
| 8 | Beinauflage | 20 | Aufbewahrungstasche |
| 9 | Vorderrad | 21 | Faltverriegelung |
| 10 | Ablagekorb | 22 | Verstellknopf Schiebebügel |
| 11 | Gurtverschluss | | |
| 12 | Schultergurt | | |



Zubehör

(im Kauf eventuell nicht enthalten)

- 1 Adapter (bei bestimmten Modellen)
- 2 Regenschutz (bei bestimmten Modellen)



Zubehör wird möglicherweise separat verkauft oder ist je nach Region nicht verfügbar.

WARNUNG

- ! Immer das Gurtsystem verwenden. Sicherheitsgurte und Rückhaltesystem müssen richtig verwendet werden.
- ! Stellen Sie vor der Benutzung sicher, dass alle Verriegelungen eingerastet sind.
- ! Das Kind darf nicht mit diesem Produkt spielen.
- ! Prüfen Sie vor der Benutzung, ob Babywanne, Sitzeinheit oder Babyschale richtig angebracht sind.
- ! Das Produkt muss von einem Erwachsenen montiert werden.
- ! Dieses Produkt eignet sich für Kinder bis 22 kg oder 4 Jahre, was auch immer zuerst eintritt.
- ! Um eine gefährliche Instabilität zu vermeiden, beladen Sie den Ablagekorb nicht mit mehr als 4,5 kg.
- ! Lassen Sie das Kind nie unbeaufsichtigt. Behalten Sie ein Kind im Kinderwagen stets im Auge.
- ! Legen Sie immer nur jeweils ein Kind in den Kinderwagen. Legen Sie niemals Geldbörsen, Einkaufstaschen, Pakete oder Zubehör auf den Schiebebügel oder das Verdeck.
- ! Nicht vom Hersteller zugelassenes Zubehör sollte nicht verwendet werden. Verwenden Sie nur vom Hersteller gelieferte oder empfohlene Ersatzteile.
- ! Überlastung, falsches Zusammenklappen oder die Nutzung von Komponenten anderer Hersteller können zu Schäden, Defekten oder Sicherheitsbeeinträchtigungen des Kinderwagens führen. Lesen Sie diese Anleitung sorgfältig durch.
- ! Lesen Sie alle Hinweise in dieser Anleitung, bevor Sie das Produkt verwenden. Bewahren Sie die Anleitung zum späteren Nachschlagen auf. Nichtbeachtung dieser Warnhinweise und Anweisungen könnte zu schweren oder tödlichen Verletzungen führen.
- ! Verwenden Sie stets den Sicherheitsgurt, um Verletzungen durch Herausfallen oder Herausrutschen zu vermeiden.
- ! Achten Sie bei Einstellungen am Kinderwagen darauf, dass der Körper Ihres Kindes nicht mit den beweglichen Teilen in Kontakt kommt.
- ! Vergewissern Sie sich, dass der Kinderwagen komplett auf- oder zusammengeklappt ist, bevor Sie Ihr Kind in die Nähe des Kinderwagens lassen.
- ! Das Kind könnte in die Beinöffnungen rutschen und ersticken, wenn der Gurt nicht angelegt ist.
- ! Transportieren Sie den Kinderwagen niemals über Treppenstufen oder Rolltreppen.
- ! Halten Sie den Kinderwagen von heißen/Hitze erzeugenden Gegenständen, Flüssigkeiten und Elektrogeräten fern.
- ! Lassen Sie Ihr Kind niemals im Kinderwagen stehen oder mit dem Kopf zur Vorderseite des Kinderwagens gerichtet sitzen.
- ! Stellen Sie den Kinderwagen niemals auf Straßen, an Hanglagen oder in Gefahrenbereichen ab.
- ! Platzieren Sie KEINE Gegenstände mit einem Band oder Faden um den Hals Ihres Kindes, hängen Sie KEINE Bänder oder Fäden an dieses Produkt und bringen Sie KEINE Bänder oder Fäden an Spielzeugen an, damit sich das Kind nicht strangulieren kann.
- ! Jegliche am Griff und/oder an der Rückseite der Rückenlehne und/oder an den Seiten des Kinderwagens angebrachte Last wirkt sich auf die Stabilität des Kinderwagens aus.
- ! Heben Sie den Kinderwagen NICHT an, wenn sich ein Kind darin befindet.
- ! Verwenden Sie den Ablagekorb NICHT als Kindersitz.
- ! Der Kinderwagen kann umkippen, wenn Ihr Kind darauf klettert. Heben Sie das Kind stets in den bzw. aus dem Kinderwagen.
- ! Seien Sie beim Auf- und Zusammenklappen des Kinderwagens vorsichtig, damit Sie sich die Finger nicht einklemmen.
- ! Um Verletzungen zu vermeiden, stellen Sie sicher, dass sich das Kind nicht in der Nähe befindet, wenn Sie dieses Produkt auf- oder zusammenklappen.
- ! Zur Gewährleistung der Sicherheit für Ihr Kind achten Sie vor Verwendung des Kinderwagens darauf, dass alle Teile sachgemäß montiert und befestigt sind.
- ! Zur Vermeidung einer Strangulation muss das Verdeck ausreichend weit vom Kind entfernt sein.
- ! Ziehen Sie stets die Bremsen an, wenn Sie den Kinderwagen abstellen.
- ! Verwenden Sie Ihren Kinderwagen nicht mehr, wenn er beschädigt oder kaputt ist.

- ! Der Kinderwagen sollte nur mit Schrittgeschwindigkeit geschoben werden. Er ist nicht für den Einsatz beim Joggen geeignet.
- ! Entfernen Sie zur Vermeidung von Erstickungsgefahr den Kunststoffbeutel und sämtliche Verpackungsmaterialien vor dem ersten Einsatz. Halten Sie Kunststoffbeutel und Verpackungsmaterialien von Säuglingen und Kindern fern.
- ! Während der Verwendung dieses Produkts dürfen Sie nicht laufen oder skaten.
- ! Neugeborene sollten liegend transportiert werden; kippen Sie dazu die Rückenlehne in waagrechte Position.
- ! Nutzen Sie die Feststellbremse, wenn Sie das Kind hineinlegen oder herausnehmen.
- ! Wenn ein Kinderrückhaltesystem in Verbindung mit einem Gehäuse verwendet wird, ersetzt dieser Kinderwagen kein Babybett/Bett. Falls Ihr Kind müde ist, sollten Sie es in einen geeigneten Kinderwagen, ein Gitter- bzw. Babybett legen.
- ! Die Babywanne darf nicht länger verwendet werden, sobald das Kind in der Lage ist, sich selbständig aufzusetzen, sich umzudrehen oder sich auf Händen und Knien abzustützen. Maximalgewicht des Kindes: 9 kg.
- ! Verwenden Sie NUR die mit der Babywanne gelieferte Matratze; fügen Sie keine weitere Matratze hinzu.
- ! Bringen Sie keine Gegenstände an Griff, Sitzrückseite oder Seiten des Kinderwagens an. Jegliche Zusatzlast wirkt sich auf die Stabilität des Kinderwagens aus und könnte den Kinderwagen umkippen lassen.
- ! Ergänzen Sie keine zusätzliche Matratze, sofern nicht vom Hersteller empfohlen.
- ! Bitte klappen Sie den Rahmen nicht zusammen, wenn der Sitz nach hinten gewandt ist.
- ! Gummireifen können schwarze Spuren auf glatten Oberflächen, wie Parkett, Laminat und Linoleum hinterlassen.

Kinderwagen montieren

(Bitte beachten Sie die Abbildungen auf Seite 1 bis 12)

Lesen Sie alle Hinweise in dieser Anleitung, bevor Sie dieses Produkt montieren und verwenden.

Kinderwagen aufklappen

siehe Abbildungen 1 - 3

Lösen Sie die Faltverriegelung von der Halterung 1, heben sie dann den Schiebebügel nach oben 2. Ein Klickgeräusch zeigt an, dass der Kinderwagen vollständig aufgeklappt ist.

! Drücken Sie die Fußstütze nach unten und setzen Sie sie zurück. 3 - 1

! Schließen Sie den Druckknopf unter der Beinauflage. 3 - 2

! Prüfen Sie vor der weiteren Benutzung, ob der Kinderwagen vollständig verriegelt ist.

Vorderrad montieren und demontieren

siehe Abbildungen 4 - 5

Hinterrad montieren und demontieren

siehe Abbildungen 6 - 8

Verdeck montieren

siehe Abbildungen 9 - 10

Armlehne montieren und demontieren

siehe Abbildungen 11 - 12

Den vollständig montierten Kinderwagen sehen Sie in 13

Kinderwagen bedienen

Rückenlehne anpassen

siehe Abbildungen 14 - 15

Die Rückenlehne hat 5 Neigungswinkel.

Rückenlehne zurückklappen

Senken Sie die Rückenlehne ab, indem Sie den Neigungseinstellgriff an der Rückseite des Sitzes zusammendrücken und die Rückenlehne nach unten ziehen. 14

Rückenlehne hochklappen

Heben Sie sie durch Drücken nach oben an. 15

! Achten Sie darauf, die Neigung zur Verwendung sachgemäß einzustellen.

! Die maximale Tragfähigkeit der Aufbewahrungstasche an der Rückenlehne beträgt 0,45 kg.

Gurtverschluss verwenden

siehe Abbildungen 16 - 17

Gurtverschluss lösen

Drücken Sie mittig auf den Knopf, um den Gurtverschluss zu lösen. 16

Gurtverschluss schließen

Richten Sie die Schnallen der Taillengurte an den Schnallen der Schultergurte 17 - 1 aus und lassen Sie sie im Gurtverschluss einrasten. 17 - 2 Ein Klickgeräusch zeigt an, dass der Verschluss eingerastet ist. 17 - 3

! Um schwere Verletzungen aufgrund von Herausfallen oder Herausgleiten zu verhindern, legen Sie Ihrem Kind stets die Sicherheitsgurte an.

! Vergewissern Sie sich, dass Ihr Kind rutschfest gehalten wird. Der Abstand zwischen dem Kind und dem Schultergurt sollte etwa die Dicke einer Hand betragen.

! Legen Sie die Schultergurte nicht gekreuzt an. Andernfalls wird Druck auf den Hals des Kindes erzeugt.

Schulter- und Taillengurte anlegen

siehe Abbildungen 18 - 21

! Nachdem Sie Ihr Kind in den Sitz gesetzt haben, prüfen Sie, ob die Schulter- und Taillengurte in der richtigen Höhe verlaufen und lang genug sind, um Ihr Kind vor dem Herausfallen zu schützen.

18 - 1 Schultergurtverankerung A

18 - 2 Schultergurtverankerung B

18 - 3 Schieberegler

Verwenden Sie bei einem größeren Kind die Schultergurtverankerung A und die obersten Schulter Schlitz. Bei einem kleineren Kind müssen die Schultergurtverankerung B und die untersten Schulter Schlitz verwendet werden.

! Die Position der Schultergurtverankerung lässt sich von der Öffnung oben aus verstellen, die mit einem Befestiger oder der Tasche unten verschlossen ist. 18 - 1

Zur Verstellung der Position der Schultergurtverankerung drehen Sie die Verankerung so, dass sie mit der nach vorne weisenden Seite auf einer Ebene liegt. Führen Sie sie von hinten nach vorne durch den Schultergurtschlitz. 18 Führen Sie sie erneut durch den Schlitz, welcher der Schulterhöhe des Kindes am nächsten liegt. 20

Ändern Sie die Gurtlänge mit dem Schieberegler. 21 - 1

Drücken Sie auf den Knopf 21 - 2, während Sie den Taillengurt auf die richtige Länge ziehen. 21 - 3

Beinauflage einstellen

siehe Abbildungen 22 - 23

Es gibt zwei Positionen für die Beinauflage.

Drücken Sie die Beinauflage zum Anheben nach oben. 22 Ein Klickgeräusch zeigt an, dass die Beinauflage eingerastet ist.

Drücken Sie zum Absenken der Beinauflage die Einstellknöpfe an beiden Seiten der Beinauflage 23 - 1 und drehen Sie die Beinauflage nach unten. 23 - 2

Vorderräder feststellen

siehe Abbildung 24

Vorderräder feststellen oder entriegeln gemäß 24.

Tipp Die Verwendung der Lenksperre sich auf unebenem Untergrund.

Bremse verwenden

siehe Abbildungen 25 - 26

Zur Arretierung der Räder drücken Sie den Bremshebel mit dem Fuß nach unten. 25

Lösen Sie die Sperrung durch Ziehen des Bremshebels nach oben. 26

Tipp Verwenden Sie die Feststellbremse immer dann, wenn der Kinderwagen nicht geschoben wird.

Verdeck verwenden

siehe Abbildungen 27 - 28

Das Verdeck kann durch Ziehen nach vorne oder hinten geöffnet oder zusammengeklappt werden.

Das Verdeck kann für maximalen Schutz Ihres Kindes vor der Sonne vollständig geöffnet werden. Öffnen Sie einfach den Reißverschluss 27, ziehen Sie dann das Verdeck nach vorne.

Das Verdeck besitzt ein Fenster, durch das Sie Ihr Baby sehen können. 28

Schiebebügel einstellen

siehe Abbildung 29

Der Schieberegler hat 3 Positionen.

Sitzhöhe einstellen

siehe Abbildungen 30 - 31

Der Sitz hat 3 Positionen.

Ziehen Sie den Sitz nach oben, um ihn zu erhöhen. 30

Drücken Sie die Sitzeinstellknöpfe, ziehen Sie den Sitz hoch und drücken Sie ihn anschließend nach unten, um ihn zu senken. 31

Sitz ausrichten

siehe Abbildungen 32 - 33

Die Sitzeinheit ist auch entgegen der Fahrtrichtung nutzbar, damit sich der Blick des Kindes in Richtung Eltern wenden kann.

Drücken Sie beide Sitzfreigabeknöpfe und heben Sie zeitgleich den Sitz an. Drehen Sie den Sitz um und setzen Sie ihn in die Sitzhalterungen ein.

Beide Sitzhalterungen müssen auf gleicher Höhe, wie in 32 gezeigt; bei einer Situation wie in 32 & 33 drücken Sie die Sitzeinstellknöpfe, ziehen Sie den Sitz hoch und drücken Sie ihn anschließend nach unten, um ihn zu senken, damit beide Sitzhalterungen auf gleicher Höhe liegen. 33

Aufbewahrungskorb verwenden

siehe Abbildung 34

Beladen Sie den Korb und die Aufbewahrungstasche zur Vermeidung von Gefahren und Instabilität mit maximal 4,5 kg.

Kinderwagen zusammenklappen

siehe Abbildungen 40 - 43

! Klappen Sie das Verdeck zusammen, bevor Sie den Kinderwagen zusammenklappen.

Betätigen Sie die Faltnöpfe und ziehen Sie diese nach oben 40 führen Sie dann den Schieberegler nach unten nach unten 41. Die Faltverriegelung rastet automatisch ein. 42

! Wenn sich der Sitz in der unteren Position befindet, kann er beim Zusammenklappen des Kinderwagens herabgleiten, damit der Einklappriegel automatisch einrastet.

! Bitte klappen Sie den Rahmen nicht zusammen, wenn der Sitz nach hinten gewandt ist. 43

! Bitte klappen Sie den Rahmen nicht zusammen, wenn die Vorderradlenksperre aktiviert ist.

! Der Kinderwagen mit Sitz in Fahrtrichtung kann aufrecht stehen, wenn sich der Griff in der höchsten Position befindet.

Zubehör verwenden

Zubehör wird möglicherweise separat verkauft oder ist je nach Region nicht verfügbar.

Regenschutz verwenden

siehe Abbildung 44

Bringen Sie den Regenschutz an, indem Sie ihn über dem Sitz platzieren.

! Achten Sie bei Verwendung des Regenschutzes stets auf Belüftung.

! Wird der Regenschutz nicht mehr verwendet, achten Sie vor dem Zusammenklappen bitte darauf, dass er sauber und trocken ist.

! Klappen Sie den Kinderwagen nicht zusammen, nachdem der Regenschutz angebracht wurde.

! Setzen Sie Ihr Kind bei heißem Wetter nicht in den Kinderwagen, wenn der Regenschutz angebracht ist.

Mit Kinderrückhaltevorrichtung verwenden

siehe Abbildungen 45 - 46

Bei Verwendung mit dem Kinderrückhaltesystem i-Snug 2 & i-Gemm 3 & i-Level Recline & i-Jemini & Gemm von Joie beachten Sie bitte die folgenden Anweisungen.

! Ein Klickgeräusch zeigt an, dass der Adapter vollständig eingerastet ist.

! Der Winkel der Kinderrückhaltevorrichtung kann mit unseren verstellbaren Adaptern angepasst werden. 47

! Der Adapter hat 3 Positionen. Bitte verwenden Sie das Produkt nicht so, dass der Kopf des Babys bei angebrachter Kinderrückhaltevorrichtung niedriger als seine Füße liegt.

! Falls Probleme bei der Verwendung des Kinderrückhaltesystems auftreten, beachten Sie bitte die zugehörige Bedienungsanleitung.

! Bitte klappen Sie den Kinderwagen nicht zusammen, wenn das Kinderrückhaltesystem weiterhin angebracht ist.

Mit Babywanne Joie Ramble, Ramble XL verwenden

siehe Abbildungen 50 - 53

Beachten Sie bei Verwendung mit der Joie-Babywanne ramble, ramble xl die folgenden Anweisungen.

- ! Falls Probleme bei der Verwendung der Babywanne auftreten, beachten Sie bitte die zugehörige Bedienungsanleitung.
- ! Bitte verwenden Sie das Produkt nicht so, dass der Kopf des Babys bei angebrachter Babywanne niedriger als seine Füße liegt.
- ! Verwenden Sie die Babywanne niemals ohne Matratze.
- ! Bitte klappen Sie den Kinderwagen nicht zusammen, wenn die Babywanne angebracht ist.

Mit Babywanne Joie Calmi verwenden

siehe Abbildungen 54 - 57

Bei Verwendung mit der Babywanne Joie Calmi beachten Sie bitte die folgenden Anweisungen.

- ! Ein Klickgeräusch zeigt an, dass der Adapter vollständig eingerastet ist.
- ! Verwenden Sie die Babywanne niemals ohne Matratze.
- ! Bitte prüfen Sie, ob die Babywanne korrekt und sicher aufgebaut ist, bevor Sie die Babywanne installieren.
- ! Falls Probleme bei der Verwendung der Babywanne auftreten, beachten Sie bitte die zugehörige Bedienungsanleitung.
- ! Bitte klappen Sie den Kinderwagen nicht zusammen, solange die Babywanne angebracht ist.

Textilteile anbringen und entfernen

siehe Abbildungen 58 - 63

1. Entfernen Sie die Armlehne, siehe 12
2. Öffnen Sie den Gurtverschluss. 63

Befolgen Sie die obigen Schritte zum Wiederanbringen der Textilteile des Sitzes in umgekehrter Reihenfolge 63 - 63

Reinigung und Wartung

siehe Abbildung 64

- ! Reinigen Sie das Kinderwagengestell nur mit handelsüblicher Seife und warmem Wasser. Nicht bleichen oder mit Reinigungsmitteln behandeln. Bitte beachten Sie zur Reinigung der Textilteile des Kinderwagens die Anweisungen am Pflegeetikett.
- ! Abnehmbare Textilteile können in der Maschine gewaschen werden. Nicht bleichen. Bitte wringen Sie Sitzbezug und Innenpolster nicht kräftig aus. Andernfalls könnten im Sitzbezug und am Innenpolster Falten zurückbleiben.
- ! Untersuchen Sie Ihren Kinderwagen gelegentlich auf lockere Schrauben, abgenutzte Teile, verschlissene Materialien oder aufgerissene Nähte. Ersetzen oder reparieren Sie die Teile bei Bedarf. Wischen Sie die Kunststoffteile regelmäßig mit einem weichen, angefeuchteten Tuch ab. Trocknen Sie die Metallteile bei Kontakt mit Wasser immer ab, damit sich kein Rost bildet.
- ! Bei übermäßiger Sonnenbestrahlung oder Hitzeeinwirkung können Teile verblassen oder sich verformen.
- ! Ist der Kinderwagen nass geworden, öffnen Sie das Verdeck und lassen Sie ihn komplett trocken werden, bevor Sie ihn verstauen.
- ! Bei quietschenden Rädern tragen Sie ein leichtes Öl auf (z. B. Silikonspray, Rostschutzöl oder Nähmaschinenöl). Dabei ist wichtig, dass das Öl in die Achse und die Räderpartie gelangt. 64
- ! Wenn Sie mit Ihrem Kinderwagen am Strand oder an sandigen/staubigen Orten spazieren, müssen Sie ihn hiernach komplett reinigen, um Sand und Salz aus der Mechanik und den Radverbindungen zu entfernen.

SE Välkommen till Joie™

Gratulerar till att ha blivit en del av Joie-familjen! Vi är mycket glada över att vara delaktiga i din resa med ditt lilla barn. När du reser med Joie Alore använder du en fullt certifierad sittvagn av hög kvalitet. Den är godkänd enligt europeiska säkerhetsstandarder EN 1888-2:2018+A1:2022. Den här produkten är lämplig för barn upp till 22 kg eller 4 år beroende på vilket som inträffar först. Läs noga igenom denna bruksanvisning och följ alla steg för att garantera en komfortabel resa och bästa skyddet för ditt barn.

VIKTIGT - LÄS IGENOM NOGA OCH SPARA FÖR FRAMTIDA REFERENS.

Besök oss på joiebaby.com för att ladda ned bruksanvisningar och se fler spännande Joie-produkter!

Besök vår webbplats joiebaby.com för att få garantiinformation

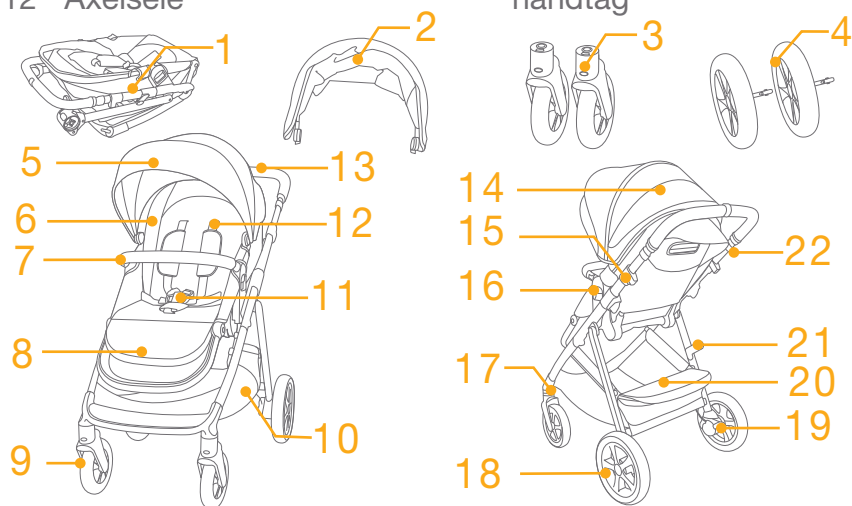
Nödfall

Vid nödfall eller en olycka är det mycket viktigt att barnet omedelbart får första hjälpen och medicinsk behandling.

Lista över delar

Kontrollera att alla delar är tillgängliga före montering. Om någon del saknas, kontakta återförsäljaren. Inga verktyg behövs för montering.

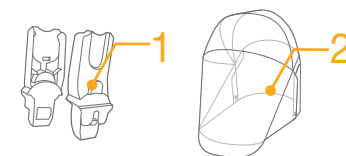
- | | | | |
|----|-----------------|----|-----------------------------|
| 1 | Sittvagnens ram | 13 | Handtag |
| 2 | Sufflett | 14 | Sufflettfönster |
| 3 | Framhjul | 15 | Ihopfällningsknapp |
| 4 | Bakhjul | 16 | Frigöringsknapp för sittdel |
| 5 | Sufflett | 17 | Riktningsslås |
| 6 | Sittdyna | 18 | Bakhjul |
| 7 | Armstöd | 19 | Bromsspak |
| 8 | Benstöd | 20 | Förvaringsväska |
| 9 | Framhjul | 21 | Förvaringsspärr |
| 10 | Förvaringskorg | 22 | Justeringsknapp för handtag |
| 11 | Bälte | | |
| 12 | Axelsele | | |



Tillbehör

(medföljer eventuellt inte)

- 1 Adapter (på vissa modeller)
- 2 Regnskydd (på vissa modeller)



Tillbehör kan säljas separat eller så kan de vara tillgängliga beroende på region.

VARNING

- ! Använd alltid säkerhetssystemet. Säkerhetsbälten och fasthållningsanordningssystemet måste användas korrekt.
- ! Kontrollera att alla spärrar är inkopplade före användning.
- ! Låt inte barnet leka med den här produkten.
- ! Kontrollera att liggdelen eller sittdelen eller bilstolstillbehören är ordentligt fastsatta innan användning.
- ! Måste monteras av vuxen.
- ! Den här produkten är lämplig för barn upp till 22 kg eller 4 år beroende på vilket som inträffar först.
- ! För att förhindra ett farligt och instabilt skick ska inte mer än 4,5 kg placeras i förvaringskorgen.
- ! Lämna aldrig barnet utan tillsyn. Håll alltid uppsikt över barnet när den är i sittvagnen.
- ! Använd sittvagnen med bara ett barn åt gången. Placera aldrig handväskor, shoppingväskor, paket eller accessoarer på handtaget eller suffletten.
- ! Tillbehör som inte är godkända av tillverkaren ska inte användas. Endast utbytesdelar som tillhandahålls eller rekommenderas av tillverkaren ska användas.
- ! Överbelastning, felaktig ihopfällning eller att använda komponentdelar från andra tillverkare kan leda till att sittvagnen skadas, går sönder eller blir osäker. Läs igenom bruksanvisningen noggrant.
- ! Läs igenom alla instruktionerna i bruksanvisningen innan produkten används. Spara bruksanvisningen för framtida användning. Underlåtenhet att följa dessa varningar och instruktioner kan resultera i allvarlig skada eller dödsfall.
- ! För att undvika allvarliga skador, från att barnet faller eller glider ur, ska säkerhetsbältet alltid användas.
- ! Var noga med att ditt barns kropp inte är i vägen för rörliga delar när du justerar sittvagnen.

- ! Var noga med att sittvagnen är helt öppen eller vikt innan ett barn får komma i närheten av sittvagnen.
- ! Barnet kan glida in i benöppningar och bli intrasslad om selen inte används.
- ! Använd aldrig sittvagnen i trappor eller rulltrappor.
- ! Håll på avstånd från föremål som har hög temperatur, vätskor och elektronik.
- ! Låt aldrig ditt barn stå på sittvagnen eller att sitta i sittvagnen med huvudet mot sittvagnens framdel.
- ! Placera aldrig sittvagnen på vägar, sluttningar eller i farliga områden.
- ! För att förhindra strypning, placera INTE föremål med snöre runt barnets hals, häng eller fäst inga snören från denna produkt eller på leksaker.
- ! All last som fästs på handtaget och/eller ryggstödet baksida och/eller på sittvagnens sidor påverkar sittvagnens stabilitet.
- ! Lyft INTE sittvagnen när barnet är kvar i sittvagnen.
- ! Använd INTE förvaringskorgen för att bära barnet.
- ! För att förhindra tippning får barnet aldrig klättra i sittvagnen. Lyft alltid barnet in i och ut från sittvagnen.
- ! För att undvika att fingrar fastnar så var försiktig när sittvagnen fälls ihop och fälls upp.
- ! För att undvika skador så kontrollera att barnet hålls på avstånd när den här produkten fälls upp och fälls ihop.
- ! För att säkerställa ditt barns säkerhet så var noga med att alla delar är ordentligt monterade innan du använder sittvagnen.
- ! För att undvika strypning så kontrollera att ditt barn är på avstånd från suffletten.
- ! Använd alltid bromsarna när du parkerar sittvagnen.
- ! Sluta använd sittvagnen om den är skadad eller trasig.

- ! Sittvagnen ska bara användas med gånghastighet. Den här produkten är inte avsedd att användas för jogging.
- ! För att undvika kvävningrisk, ta bort plastpåsen och förpackningsmaterialet innan produkten används. Plastpåsen och förpackningsmaterialet måste sedan hållas borta från spädbarn och barn.
- ! Den här produkten är inte lämplig för löpning eller rullskridskoåkning.
- ! Sittvagn som är konstruerad att användas från födseln ska rekommendera användningen för den maximala lutningspositionen för nyfödda barn.
- ! Parkeringsenheten ska användas när barn sätts i eller tas ut.
- ! Fasthållningsanordningar för spädbarn som används tillsammans med den här sittvagnen ersätter inte en barnsäng eller säng. Om ditt barn behöver sova ska det placeras i en lämplig liggdal, barnsäng eller säng.
- ! När barnet själv kan sitta upp och rulla runt och resa sig från knästående med hjälp av sina händer ska babyliften inte användas. Barnets maximala vikt: 9 kg.
- ! Använd INTE eller lägg till någon annan madrass än den som följde med babyliften.
- ! Fäst inte föremål på handtaget, sätets baksida eller sittvagnens sidor. Alla ytterligare belastningar påverkar sittvagnens stabilitet och kan göra så att sittvagnen välter.
- ! Om inte tillverkaren rekommenderar det ska inte fler madrasser användas.
- ! Fäll inte ihop ramen när sätet är framåtvänt.

Montera sittvagnen

(se figurer på sida 1-12)

Läs igenom alla instruktionerna i denna bruksanvisning innan den här produkten monteras och används.

Öppna sittvagnen

se bilder 1 - 3

Ta isär förvaringsfästet och förvaringsspärren 1 och lyft sedan handtaget uppåt. 2 När det hörs ett klickljud är sittvagnen helt öppnad.

! Tryck ned fotstödet för att återställa. 3 - 1

! Fäst knappen under benstöden. 3 - 2

! Kontrollera att sittvagnen är helt spärrad innan du fortsätter att använda den.

Montera och ta bort framhjul

se bilder 4 - 5

Montera och ta bort bakhjul

se bilder 6 - 8

Montera sufflett

se bilder 9 - 10

Montera och ta bort armstöd

se bilder 11 - 12

Den färdigmonterade sittvagnen visas i 13

Använda sittvagnen

Justera ryggstödet

se bilder 14 - 15

Det finns 5 lutningsvinklar för ryggstödet.

Luta ryggstödet

För att luta ryggstödet så kläm lutningshandtaget på sätets baksida och dra ryggstödet nedåt. 14

Höj upp ryggstödet

Räta upp ryggstödet genom att trycka uppåt. 15

! Kontrollera att lutningen är ordentligt inställd för användningen.

! Maximal vikt på det som läggs i förvaringsfickan bak till är 0,45 kg.

Använda spännet

se bilder 16 - 17

Öppna spännet

Tryck på mittenknappen för att öppna spännet. 16

Lås spännet

Passa in höftbältets spänne med axelspännet 17 - 1 och klicka in det i mittenspännet. 17 - 2 Ett "klick"-ljud betyder att spännet är helt låst. 17 - 3

! För att undvika allvarliga skador, från att barnet faller eller glider ur, ska barnet sättas fast med selen.

! Kontrollera att den är snävt åtdragen runt ditt barn. Utrymmet mellan barnet och axelselen ska vara ungefär en hand tjock.

! Kors inte axelremmarna. Det orsakar ett tryck på barnets hals.

Använd axel- och midjeselar

se bilder 18 - 21

! För att kunna skydda ditt barn från att falla ut efter att ditt barn är placerat i sätet så kontrollera att axel- och midjeremmen är på rätt höjd och har rätt längd.

18 - 1 Axelseleförankring A

18 - 2 Axelseleförankring B

18 - 3 Glidreglage

För större barn så använd axelseleförankringen A och de högsta öppningarna för axelselen. För mindre barn ska axelseleförankring B och de lägsta öppningarna vid axeln användas.

! Placeringen av axelremsförankring kan justeras från ovan öppning som stängs av fästen eller nedan ficka. 19 - 1

För att justera positionen för axelseleförankringen så vrid förankringen så att den är i nivå med den sida som är riktad framåt. Trä igenom öppningen för axelremmen från baksida till framsida. 19 Trä igenom igen genom öppningen som är närmast barnets axelhöjd. 20

Använd glidreglaget för att ändra selens längd. 21 - 1

Tryck på knappen 21 - 2 under tiden som du drar midjeselen till lämplig längd. 21 - 3

Justering av benstöd

se bilder 22 - 23

Benstödet har 2 lägen.

För att höja benstödet så tryck det uppåt. 22 Ett "klick"-ljud betyder att benstödet har låsts.

För att sänka benstödet så tryck på justeringsknapparna på båda sidor om benstöden 23 - 1 och rotera benstödet nedåt. 23 - 2

Använda främre riktningsslåset

se bilden 24

Framhjul låst eller olåst status som 24.

Tips Det är att rekommendera att använda riktningsslås på ojämna ytor.

Använda bromsen

se bilder 25 - 26

Du låser hjulen genom att trampa ned bromsspaken. 25

Hjulen frigörs genom att helt enkelt lyfta bromsspaken uppåt. 26

Tips Använd alltid parkeringsbromsen när sittvagnen inte rör sig.

Använda suffletten

se bilder 27 - 28

Suffletten öppnas och stängs genom att dra i den framåt eller bakåt.

Suffletten kan öppnas helt och hållet för att på bästa sätt skydda ditt barn från solen, öppna bara blixtlåset 27 och dra sedan suffletten mot framsidan.

På suffletten finns ett fönster som du kan se din bebis genom. 28

Justera handtaget

se bilden 29

Handtaget har 3 lägen.

Justera sätets höjd

se bilder 30 - 31

Sätet har 3 delar.

Dra upp sätet för att öka sätets höjd. 30

Tryck på knapparna för säteshöjjustering och dra uppåt, tryck sedan nedåt för att minska sätets höjd. 31

Byta plats på sätet

se bilder 32 - 33

Sätet kan ändras så att mor och barn kan vara ansikte mot ansikte.

Tryck på sittdelens frigöringsknapp samtidigt som du lyfter sittdelen. Vrid sittdelen till omvänd riktning och sätt sedan in sittdelen i sittdelens fästen.

Båda sättesfästena måste vara i nivå som visas i 32 i det som visas i 33 och 35 inträffar så tryck på knappen för säteshöjjustering och dra uppåt. Tryck sedan nedåt för att minska sätets höjd och vara säker på att båda sättesfästena är i nivå. 35

Använda förvaringskorgen

se bilden 34

För att förhindra ett farligt och instabilt skick ska inte mer än 4,5 kg placeras i förvaringskorgen och förvaringsväskan.

Fälla ihop sittvagnen

se bilder 40 - 43

! Stäng suffletten innan sittvagnen viks ihop.

Tryck på ihopfällningsknappen och dra uppåt 40 rotera sedan handtaget nedåt 41 ihopfällningsspärren kan låsas automatiskt. 42

! Om sätet är i den lägre positionen kan den skjutas ned när sittvagnen fälls ihop för att vara säker på att ihopfällningsspärren låses automatiskt.

! Fäll inte ihop ramen när sätet är framåtvänt. 43

! Fäll inte ihop ramen när hjulriktningsslåset är låst.

! Sittvagnen med framåtvänt säte kan så när handtaget är i den högsta positionen.

Använda tillbehör

Tillbehör kan säljas separat eller så kan de vara tillgängliga beroende på region.

Använda regnskydd

se bilden 44

För att montera regnskyddet ska det placeras över sätet.

! När regnskyddet används så kontrollera alltid dess ventilation.

! När det inte används så kontrollera att regnskyddet har rengjorts och torkats innan det viks ihop.

! Fäll inte ihop sittvagnen efter att regnskyddet monterats.

! Placera inte ditt barn i sittvagnen med regnskyddet monterat när det är varmt väder.

Använda med fasthållningsanordning för spädbarn

se bilder 45 - 46

Vid användning av fasthållningsanordning för spädbarn av typen Joie i-Snug 2 och i-Gemm 3 och i-Level Recline och i-Jemini och Gemm, ber vi dig ta referens från följande instruktioner.

! Ett "klick"-ljud betyder att adaptorn har låsts.

! Vinkeln för fasthållning av spädbarn kan justeras med våra justerbara adaptrar. 47

! Adaptrarna har 3 positioner. Använd inte produkten med barnets huvud placerat lägre än fötterna efter att fasthållningsanordningen för spädbarn satts fast.

! Om du har några problem med att använda fasthållningsanordningen för barn så se deras egna bruksanvisningar.

! Vik inte ihop sittvagnen när fasthållningsanordningen för spädbarn fortfarande sitter fast.

Använd med Joie Ramble-, Ramble XL- babylift

se bilder  - 

Vid användning med Joie-babylift ramble, ramble xl, se följande instruktioner.

- ! Om du har några problem med att använda babyliften så vänligen se deras egna bruksanvisningar.
- ! Använd inte produkten med barnets huvud placerat lägre än fötterna efter att babyliften satts fast.
- ! Använd alltid madrassen när du använder babyliften.
- ! Vik inte ihop barnvagnen när babyliften monteras.

Använda med Joie Calmi-babylift





se bilder  - 

När den används med Calmi-babyliften ber vi dig ta referens från följande instruktioner.

- ! Ett "klick"-ljud betyder att adaptern har låsts.
- ! Använd alltid madrassen när du använder babyliften.
- ! Kontrollera att nätet längst ned i babyliften är ordentligt fixerat innan babyliften installeras.
- ! Om du har några problem med att använda babyliften så vänligen se deras egna bruksanvisningar.
- ! Vik inte ihop sittvagnen när babyliften fortfarande sitter fast.


Ta bort och montera mjuka delar

se bilder  - 

1. Ta bort armstödet som visas i 
 2. Öppna spännet som finns nedtill på sitsen. 
- Följ ovanstående steg i motsatt ordning för att ta bort sitsens mjuka delar  - 

Rengöring och underhåll

se bilden 

- ! För att rengöra sittvagnens ram ska bara vanlig tvål och varmt vatten användas. Använd inte blekning eller rengöringsmedel. Se tvättrådsetiketten för instruktioner om rengöring av sittvagnens tygdelar.
- ! Mjuka delar som är avtagbara kan tvättas i maskin. Blek inte. Använd inte mycket kraft för att vrida ur sätesmaterialet och kuddarna när de ska torkas. Det kan göra att sätesmaterialet och inre kuddarna veckas.
- ! Kontrollera din sittvagn då och då för att se om skruvar sitter löst, delar är slitna, material sönderrivet eller sprucket i sömmarna. Byt eller reparera delarna efter behov. Torka regelbundet av plastdelar med en mjuk fuktig trasa. Torka alltid av metalldelar för att förhindra att det bildas rost om sittvagnen har kommit i kontakt med vatten.
- ! Överdriven exponering för sol eller värme kan göra så att delarna bleknar eller missformas.
- ! Om sittvagnen blir blöt så öppna suffletten och låt den torka ordentligt innan den lagras.
- ! Om hjulen gnisslar så använd en lätt olja (t.ex. silikonsprej, antirostolja eller symaskinsolja). Det är viktigt att oljan tränger in i axeln och hjulmontaget. 
- ! När du använder din sittvagn på stranden eller andra sandiga/dammiga miljöer så rengör din sittvagn efter användningen för att ta bort sand och salt från mekanismer och hjulmontaget.

EL Καλώς ήλθατε στη Joie™

Συγχαρητήρια, γίνετε μέλος της οικογένειας Joie! Είμαστε ιδιαίτερα ενθουσιασμένοι που θα βρισκόμαστε μαζί στο ταξίδι σας με το μικρό σας. Κατά τις μετακινήσεις σας με το Joie Alore χρησιμοποιείτε ένα υψηλής ποιότητας, πλήρως πιστοποιημένο καρότσι που έχει εγκριθεί σύμφωνα με τα Ευρωπαϊκά πρότυπα ασφαλείας EN 1888-2:2018+A1:2022. Αυτό το προϊόν είναι κατάλληλο για παιδιά βάρους μέχρι και 22 κιλών ή ηλικίας έως 4 ετών, όποιο συμβεί πρώτο. Διαβάστε προσεκτικά αυτό το εγχειρίδιο και ακολουθήστε κάθε βήμα για να εξασφαλίσετε άνετη μετακίνηση και βέλτιστη προστασία για το παιδί σας.

ΣΗΜΑΝΤΙΚΟ - ΔΙΑΒΑΣΤΕ ΠΡΟΣΕΚΤΙΚΑ ΚΑΙ ΦΥΛΑΞΤΕ ΓΙΑ ΜΕΛΛΟΝΤΙΚΗ ΑΝΑΦΟΡΑ.

Επισκεφθείτε μας στο joiebaby.com για να κατεβάσετε εγχειρίδια και να δείτε κι άλλα συναρπαστικά προϊόντα Joie!

Για πληροφορίες σχετικά με την εγγύηση, επισκεφθείτε την ιστοσελίδα μας στο joiebaby.com

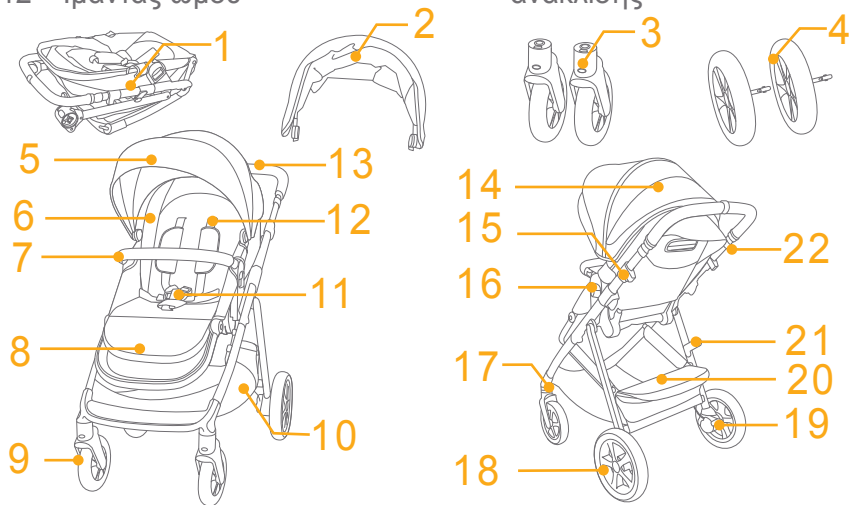
Έκτακτη ανάγκη

Σε περίπτωση έκτακτης ανάγκης ή ατυχήματος, η παροχή των πρώτων βοηθειών στο παιδί σας και η άμεση αναζήτηση ιατρικής περίθαλψης αποτελούν επιτακτική ανάγκη.

Κατάλογος εξαρτημάτων

Πριν από τη συναρμολόγηση βεβαιωθείτε ότι όλα τα εξαρτήματα είναι διαθέσιμα. Εάν λείπει οποιοδήποτε εξάρτημα, παρακαλούμε επικοινωνήστε με το κατάστημα λιανικής πώλησης. Δεν απαιτούνται εργαλεία για τη συναρμολόγηση.

- | | | | |
|----|---------------------|----|--------------------------------|
| 1 | Πλαίσιο καροτσιού | 13 | Λαβή |
| 2 | Κουκούλα | 14 | Παράθυρο κουκούλας |
| 3 | Μπροστινός τροχός | 15 | Κουμπί αναδίπλωσης |
| 4 | Πίσω τροχός | 16 | Κουμπί αποδέσμευσης καθίσματος |
| 5 | Κουκούλα | 17 | Κλειδώμα τροχών |
| 6 | Μαξιλάρι καθίσματος | 18 | Πίσω τροχός |
| 7 | Προστατευτική μπάρα | 19 | Μοχλός φρένου |
| 8 | Στήριγμα ποδιών | 20 | Σάκος αποθήκευσης |
| 9 | Μπροστινός τροχός | 21 | Μάνταλο αποθήκευσης |
| 10 | Καλάθι αποθήκευσης | 22 | Κουμπί ρύθμισης ανάκλισης |
| 11 | Πόρπη | | |
| 12 | Ιμάντας ώμου | | |

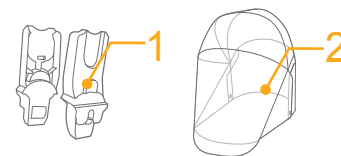


Εξαρτήματα

(Ενδέχεται να μην περιλαμβάνονται)

- 1 Προσαρμογέας (σε ορισμένα μοντέλα)
- 2 Κάλυμμα βροχής (σε ορισμένα μοντέλα)

Τα εξαρτήματα ενδέχεται να πωλούνται ξεχωριστά ή να μην είναι διαθέσιμα ανάλογα με την περιοχή.



ΠΡΟΕΙΔΟΠΟΙΗΣΗ

- ! Χρησιμοποιείτε πάντα το σύστημα συγκράτησης. Οι ζώνες ασφαλείας και τα συστήματα συγκράτησης πρέπει να χρησιμοποιούνται σωστά.
- ! Βεβαιωθείτε ότι όλα τα εξαρτήματα ασφάλισης είναι τοποθετημένα πριν από τη χρήση.
- ! Μην αφήνετε το παιδί να παίζει με αυτό το προϊόν.
- ! Πριν τη χρήση, βεβαιωθείτε ότι το σώμα του καροτσιού, το κάθισμα και τα εξαρτήματα στερέωσης του καθίσματος είναι σωστά τοποθετημένα.
- ! Απαιτείται συναρμολόγηση από ενήλικο.
- ! Αυτό το προϊόν είναι κατάλληλο για παιδιά βάρους μέχρι και 22 κιλών ή ηλικίας έως 4 ετών, όποιο συμβεί πρώτο.
- ! Για να αποφύγετε επικίνδυνες, ασταθείς καταστάσεις, μην τοποθετείτε αντικείμενα βάρους άνω των 4,5 κιλών στο καλάθι αποθήκευσης.
- ! Μην αφήνετε ποτέ το παιδί σας χωρίς επίβλεψη. Φροντίστε να βλέπετε συνεχώς το παιδί ενώ βρίσκεται στο καρότσι.
- ! Χρησιμοποιείτε το καρότσι μόνο με ένα παιδί τη φορά. Μην τοποθετείτε πορτοφόλια, τσάντες, δέματα ή εξαρτήματα επάνω στη λαβή ή την κουκούλα.
- ! Εξαρτήματα που δεν έχουν εγκριθεί από τον κατασκευαστή δεν πρέπει να χρησιμοποιούνται. Πρέπει να χρησιμοποιούνται μόνο ανταλλακτικά που παρέχονται ή συνιστώνται από τον κατασκευαστή.
- ! Η υπερφόρτωση, η λανθασμένη αναδίπλωση ή η χρήση εξαρτημάτων από άλλους κατασκευαστές μπορεί να προκαλέσει ζημιά, καταστροφή ή μείωση της ασφάλειας του καροτσιού. Διαβάστε τις οδηγίες χρήσης προσεκτικά.
- ! Διαβάστε όλες τις οδηγίες σε αυτό το εγχειρίδιο πριν τη χρήση του προϊόντος. Φυλάξτε αυτό το εγχειρίδιο οδηγιών για μελλοντική χρήση. Σε περίπτωση που δεν ακολουθήσετε αυτές τις προειδοποιήσεις και οδηγίες, αυτό μπορεί να έχει ως αποτέλεσμα σοβαρό τραυματισμό ή ακόμη και θάνατο.
- ! Για να αποφύγετε σοβαρούς τραυματισμούς από πτώση ή ολίσθηση, χρησιμοποιείτε πάντα ζώνη ασφαλείας.
- ! Βεβαιωθείτε ότι το σώμα του παιδιού σας είναι μακριά από τα κινούμενα μέρη κατά τη ρύθμιση του καροτσιού.

- ! Βεβαιωθείτε ότι το καρότσι είναι πλήρως ανοικτό ή κλειστό προτού αφήσετε το παιδί να πλησιάσει το καρότσι.
- ! Το παιδί μπορεί να γλιστρήσει στα ανοίγματα των ποδιών και να στραγγαλιστεί αν δεν χρησιμοποιούνται οι ιμάντες.
- ! Ποτέ μην χρησιμοποιείτε το καρότσι σε σκάλες ή κυλιόμενες σκάλες.
- ! Διατηρείτε μακριά από αντικείμενα υψηλής θερμοκρασίας, υγρά και ηλεκτρονικό εξοπλισμό.
- ! Μην αφήνετε ποτέ το παιδί σας να στέκεται όρθιο στο καρότσι ή να κάθεται στο καρότσι με το κεφάλι στο μπροστινό τμήμα του καροτσιού.
- ! Μην χρησιμοποιείτε το καρότσι σε δρόμους, πλαγιές ή επικίνδυνες περιοχές.
- ! Για να αποφύγετε πιθανότητα στραγγαλισμού, ΜΗΝ τοποθετείτε αντικείμενα με κορδόνια γύρω από το λαιμό του παιδιού σας, μην αναρτάτε κορδόνια πάνω από το προϊόν και μην ή δένετε παιχνίδια με κορδόνια.
- ! Κάθε φορτίο στη λαβή ή/και στο πίσω μέρος της πλάτης ή/και στις πλευρές του καροτσιού επηρεάζει τη σταθερότητα του καροτσιού.
- ! ΜΗΝ σηκώνετε το καρότσι ενώ το παιδί είναι επάνω σε αυτό.
- ! ΜΗΝ χρησιμοποιείτε το καλάθι αποθήκευσης για να μεταφέρετε το παιδί.
- ! Για να αποτρέψετε κίνδυνο ανατροπής, μην αφήνετε ποτέ το παιδί να σκαρφαλώνει στο καρότσι. Βάζετε και βγάζετε το παιδί από το καρότσι εσείς.
- ! Για να αποφύγετε τραυματισμό των δακτύλων, πρέπει να προσέχετε όταν ανοίγετε και κλείνετε το καρότσι.
- ! Για να αποφύγετε τραυματισμούς βεβαιωθείτε ότι το παιδί παραμένει σε απόσταση όταν ανοίγετε και κλείνετε το καρότσι.
- ! Για να διασφαλίσετε την ασφάλεια του παιδιού σας, βεβαιωθείτε ότι όλα τα μέρη έχουν συναρμολογηθεί και στερεωθεί σωστά προτού χρησιμοποιήσετε το καρότσι.
- ! Για να αποφύγετε κίνδυνο στραγγαλισμού, βεβαιωθείτε ότι το παιδί σας είναι σε απόσταση από την κουκούλα.
- ! Ενεργοποιείτε πάντα τα φρένα κατά τη στάθμευση του καροτσιού.
- ! Διακόψτε τη χρήση του καροτσιού αν έχει υποστεί φθορά.

- ! Το καρότσι πρέπει να χρησιμοποιείται μόνο σε ταχύτητα περπατήματος. Αυτό το προϊόν δεν προορίζεται για χρήση κατά το τζόκινγκ.
- ! Για την αποφυγή ασφυξίας, αφαιρέστε την πλαστική σακούλα και τα υλικά συσκευασίας πριν από τη χρήση του προϊόντος. Η πλαστική σακούλα και τα υλικά συσκευασίας θα πρέπει στη συνέχεια να φυλάσσονται μακριά από μωρά και παιδιά.
- ! Αυτό το προϊόν δεν είναι κατάλληλο για τρέξιμο ή πατινάζ.
- ! Για τα καρότσια που προορίζονται για χρήση από τη γέννηση, συνιστάται η χρήση της πλέον οριζόντιας θέσης για τα νεογέννητα μωρά.
- ! Κατά την τοποθέτηση και την αφαίρεση του παιδιού πρέπει να ενεργοποιείται το φρένο.
- ! Τα πορτ-μπεμπέ που χρησιμοποιούνται σε συνδυασμό με ένα πλαίσιο, δεν αντικαθιστούν μια κούνια ή ένα κρεβάτι. Εάν το παιδί σας πρέπει να κοιμηθεί, τότε θα πρέπει να τοποθετηθεί σε κατάλληλο πορτ-μπεμπέ, κούνια ή κρεβάτι.
- ! Το πορτ-μπεμπέ δεν πρέπει να χρησιμοποιείται, μόλις το παιδί μπορεί να καθίσει μόνο του, να γυρίσει στο πλάι και να στηριχθεί στα χέρια και τα γόνατά του. Μέγιστο βάρος παιδιού: 9 κιλά.
- ! ΜΗΝ χρησιμοποιείτε ή προσθέτετε άλλο στρώμα εκτός από αυτό που παρέχεται με το πορτ-μπεμπέ.
- ! Μην τοποθετείτε αντικείμενα στη λαβή, στην πλάτη του καθίσματος ή στα πλαϊνά του καροτσιού. Οποιοδήποτε πρόσθετο βάρος θα επηρεάσει τη σταθερότητα και θα μπορούσε να προκαλέσει ανατροπή του καροτσιού.
- ! Δεν πρέπει να προστίθεται επιπλέον στρώμα, εκτός εάν το συνιστά ο κατασκευαστής.
- ! Μην κλείνετε το πλαίσιο όταν το κάθισμα είναι στραμμένο προς τα πίσω.

Συναρμολόγηση καροτσιού

(Ανατρέξτε στις εικόνες στις σελίδες 1-12)

Διαβάστε όλες τις οδηγίες σε αυτό το εγχειρίδιο πριν τη συναρμολόγηση και χρήση του προϊόντος.

Άνοιγμα καροτσιού

Δείτε τις εικόνες 1 - 3

Ελευθερώστε το μάνταλο ασφάλισης από την υποδοχή ασφάλισης 1 και, στη συνέχεια, σηκώστε τη λαβή προς τα πάνω. 2 Ένας ήχος κλικ υποδεικνύει ότι το καρότσι έχει ανοίξει πλήρως.

! Πιέστε το στήριγμα ποδιών προς τα κάτω και ρυθμίστε το ξανά. 3 - 1

! Κουμπώστε το κουμπί κάτω από το στήριγμα ποδιών. 3 - 2

! Βεβαιωθείτε ότι το καρότσι είναι σωστά ανοιγμένο πριν το χρησιμοποιήσετε.

Συναρμολόγηση & αφαίρεση μπροστινού τροχού

Δείτε τις εικόνες 4 - 5

Συναρμολόγηση & αφαίρεση πίσω τροχού

Δείτε τις εικόνες 6 - 8

Συναρμολόγηση της κουκούλας

Δείτε τις εικόνες 9 - 10

Συναρμολόγηση & αφαίρεση προστατευτικής μπάρας

Δείτε τις εικόνες 11 - 12

Το πλήρως συναρμολογημένο καρότσι εμφανίζεται στην εικόνα 13

Χρήση καροτσιού

Ρύθμιση πλάτης

Δείτε τις εικόνες 14 - 15

Υπάρχουν 5 γωνίες κλίσης για την πλάτη.

Κατέβασμα πλάτης

Για να κατεβάσετε την πλάτη του καθίσματος, πιέστε τη λαβή ανάκλισης στο πίσω μέρος του καθίσματος, πιέζοντας την πλάτη προς τα κάτω. 14

Ανέβασμα πλάτης

Για να ανεβάσετε την πλάτη, πιέστε προς τα επάνω. 15

! Βεβαιωθείτε ότι η κλίση έχει ρυθμιστεί σωστά.

! Το μέγιστο φορτίο της στέψης αποθήκευσης στο πίσω μέρος της πλάτης είναι 0,45 κιλά.

Χρήση της πόρπης

Δείτε τις εικόνες 16 - 17

Άνοιγμα πόρπης

Πιέστε το κεντρικό κουμπί για να ανοίξετε την πόρπη. 16

Κλείδωμα πόρπης

Ταιριάζτε την πόρπη του ιμάντα μέσης με την πόρπη του ιμάντα ώμων 17 - 1 και κουμπώστε στην κεντρική πόρπη. 17 - 2 Ένας ήχος "κλικ" σημαίνει ότι η πόρπη έχει ασφαλίσει σωστά. 17 - 3

! Για να αποφύγετε σοβαρούς τραυματισμούς από πτώση ή ολίσθηση, χρησιμοποιείτε πάντα τους ιμάντες.

! Βεβαιωθείτε ότι το παιδί σας είναι δεμένο σωστά. Βεβαιωθείτε ότι ο χώρος μεταξύ του παιδιού και του ιμάντα ώμου είναι περίπου το πάχος ενός χεριού.

! Μην σταυρώνετε τους ιμάντες ώμου. Αυτό θα ασκήσει πίεση στον αυχένα του παιδιού.

Χρήση των ιμάντων ώμων και μέσης

Δείτε τις εικόνες 18 - 21

! Για να προστατέψετε το παιδί σας από πτώσεις, αφού το τοποθετήσετε στο κάθισμα, ελέγξτε εάν οι ιμάντες ώμων και μέσης έχουν ρυθμιστεί σωστά.

- 18 - 1 Άγκιστρο ιμάντα ώμου Α
- 18 - 2 Άγκιστρο ιμάντα ώμου Β
- 18 - 3 Ρύθμιση μήκους

Για μεγαλύτερα παιδιά, χρησιμοποιήστε το άγκιστρο ιμάντα ώμου Α και τις επάνω υποδοχές ιμάντα. Για μικρότερα παιδιά, χρησιμοποιήστε το άγκιστρο ιμάντα ώμου Β και τις κάτω υποδοχές ιμάντα.

! Η θέση του άγκιστρου των ιμάντων ώμου μπορεί να ρυθμιστεί από το πάνω άνοιγμα ή κάτω από την τσέπη. 18 - 1

Για να ρυθμίσετε τη θέση του άγκιστρου των ιμάντων ώμων, στρέψτε το άγκιστρο ώστε να είναι επίπεδο με το πλαινό τμήμα στραμμένο προς τα εμπρός. Περάστε το από την υποδοχή από πίσω προς τα εμπρός. 18
Περάστε το ξανά από την υποδοχή που είναι πιο κοντά στο ύψος των ώμων του παιδιού. 20

Χρησιμοποιήστε το ρυθμιστικό για να προσαρμόσετε το μήκος του ιμάντα. 20 - 1

Πατήστε το κουμπί 21 - 2 και τραβήξτε τον ιμάντα μέσης για να ρυθμίσετε το σωστό μήκος. 21 - 3

Ρύθμιση στηρίγματος ποδιών

Δείτε τις εικόνες 22 - 23

Το στήριγμα ποδιών έχει 2 θέσεις.

Για να ανεβάσετε το στήριγμα ποδιών, ωθήστε το προς τα πάνω. 22 Ένας ήχος “κλικ” σημαίνει ότι το στήριγμα έχει ασφαλίσει σωστά.

Για να κατεβάσετε το στήριγμα ποδιών, πατήστε τα κουμπιά ρύθμισης και στις δύο πλευρές του στηρίγματος ποδιών 23 - 1 και περιστρέψτε το στήριγμα προς τα κάτω. 23 - 2

Χρήση της ασφάλειας μπροστινών τροχών

Δείτε την εικόνα 24

Μπροστινός τροχός κλειδωμένος ή ξεκλειδωτός 24.

Συμβουλή Συνιστάται η χρήση των ασφαλειών των μπροστινών τροχών σε ανώμαλες επιφάνειες.

Χρήση του φρένου

Δείτε τις εικόνες 25 - 26

Για να ασφαλίσετε τους τροχούς, πιέστε τον μοχλό φρένων προς τα κάτω. 25

Για να απελευθερώσετε τροχούς, απλά ανασηκώστε τον μοχλό φρένων. 26

Συμβουλή Ενεργοποιείτε πάντα το φρένο όταν το καρότσι δεν κινείται.

Χρήση της κουκούλας

Δείτε τις εικόνες 27 - 28

Η κουκούλα μπορεί να ανοίξει ή να κλείσει τραβώντας την προς τα εμπρός ή προς τα πίσω.

Η κουκούλα μπορεί να ανοίξει πλήρως για την προστασία του παιδιού σας από τον ήλιο. Απλά ανοίξτε φερμουάρ 27 και, στη συνέχεια, τραβήξτε την κουκούλα προς τα εμπρός.

Υπάρχει ένα παράθυρο στην κουκούλα, μέσω του οποίου μπορείτε να βλέπετε το μωρό σας. 28

Ρύθμιση λαβής

Δείτε την εικόνα 29

Η λαβή έχει 3 θέσεις.

Ρύθμιση ύψους καθίσματος

Δείτε τις εικόνες 30 - 31

Το κάθισμα έχει 3 θέσεις.

Τραβήξτε το κάθισμα προς τα επάνω για να αυξήσετε το ύψος του καθίσματος 30

Πατήστε τα κουμπιά ρύθμισης ύψους καθίσματος και τραβήξτε προς τα πάνω και, στη συνέχεια, πιέστε προς τα κάτω για να μειώσετε το ύψος του καθίσματος. 31

Αλλαγή θέσης καθίσματος

Δείτε τις εικόνες 32 - 33

Το κάθισμα μπορεί να αλλάξει θέση ώστε το παιδί να κοιτάζει προς τη μητέρα.

Πατήστε τα κουμπιά αποδέσμευσης καθίσματος και σηκώστε το κάθισμα προς τα πάνω. Γυρίστε το κάθισμα προς την αντίστροφη κατεύθυνση και μετά τοποθετήστε το κάθισμα στις βάσεις καθίσματος.

Και οι δύο βάσεις καθίσματος πρέπει να είναι επίπεδες όπως παρουσιάζεται στην εικόνα 33. Εάν είναι όπως παρουσιάζεται στις εικόνες 34 & 35, πατήστε το κουμπί ρύθμισης ύψους καθίσματος και τραβήξτε προς τα πάνω και, στη συνέχεια, πιέστε προς τα κάτω για να μειώσετε το ύψος του καθίσματος για να βεβαιωθείτε ότι και οι δύο βάσεις καθίσματος είναι επίπεδες. 35

Χρήση καλαθιού αποθήκευσης

Δείτε την εικόνα 36

Για να αποφύγετε επικίνδυνες, ασταθείς καταστάσεις, μην τοποθετείτε αντικείμενα βάρους άνω των 4,5 κιλών στο καλάθι αποθήκευσης και τον σάκο αποθήκευσης.

Αναδίπλωση καρτσιού

Δείτε τις εικόνες 40 - 43

! Κλείστε την κουκούλα πριν κλείσετε το καρότσι.

Πατήστε το κουμπί αναδίπλωσης και τραβήξτε προς τα πάνω 40 και, στη συνέχεια, περιστρέψτε τη λαβή προς τα κάτω, 41. Το μάνταλο αναδίπλωσης μπορεί να ασφαλίσει αυτόματα. 42

! Εάν το κάθισμα βρίσκεται στην χαμηλότερη θέση, μπορεί να γλιστρήσει προς τα κάτω κατά το κλείσιμο του καρτσιού. Βεβαιωθείτε ότι το μάνταλο αναδίπλωσης έχει ασφαλίσει αυτόματα.

! Μην κλείνετε το πλαίσιο όταν το κάθισμα είναι στραμμένο προς τα πίσω. 43

! Μην κλείνετε το πλαίσιο όταν είναι ενεργοποιημένη η ασφάλεια μπροστινών τροχών.

! Το καρότσι με το κάθισμα στραμμένο προς τα εμπρός μπορεί να σταθεί όταν η λαβή βρίσκεται στην υψηλότερη θέση.

Χρήση των εξαρτημάτων

Τα εξαρτήματα ενδέχεται να πωλούνται ξεχωριστά ή να μην είναι διαθέσιμα ανάλογα με την περιοχή.

Χρήση του καλύμματος βροχής

Δείτε την εικόνα 44

Για να συναρμολογήσετε το κάλυμμα βροχής, τοποθετήστε το πάνω από το κάθισμα.

! Όταν χρησιμοποιείτε το κάλυμμα βροχής, ελέγχετε πάντα τον αερισμό του καρτσιού.

! Όταν δεν χρησιμοποιείται, ελέγξτε ότι το κάλυμμα βροχής είναι καθαρό και στεγνό πριν το διπλώσετε.

! Μην κλείνετε το καρότσι όταν είναι τοποθετημένο το κάλυμμα βροχής.

! Μην τοποθετείτε το παιδί σας στο καρότσι με το κάλυμμα βροχής τοποθετημένο αν ο καιρός είναι ζεστός.

Χρήση με κάθισμα

Δείτε τις εικόνες 45 - 49

Κατά τη χρήση με το βρεφικό κάθισμα i-Snug 2 & i-Gemm 3 & i-Level Recline & i-Jemini & Gemm, ανατρέξτε στις παρακάτω οδηγίες.

! Ένας ήχος “κλικ” σημαίνει ότι ο προσαρμογέας έχει ασφαλίσει σωστά.

! Η γωνία του πορτ μπεμπέ μπορεί να ρυθμιστεί με τους παρεχόμενους ρυθμιζόμενους προσαρμογείς. 47

! Ο προσαρμογέας έχει 3 θέσεις. Μην χρησιμοποιείτε το προϊόν όταν το κεφάλι του μωρού είναι σε χαμηλότερο επίπεδο από τα πόδια του μετά την τοποθέτηση του παιδικού καθίσματος ασφαλείας.

! Εάν αντιμετωπίζετε οποιαδήποτε προβλήματα σχετικά με τη χρήση του καθίσματος, ανατρέξτε στο σχετικό εγχειρίδιο οδηγιών.

! Μην κλείνετε το καρότσι όταν είναι τοποθετημένο το κάθισμα.

Χρήση με πορτ-μπεμπέ Joie Ramble, Ramble XL

Δείτε τις εικόνες 56 - 58

Κατά τη χρήση με το πορτ-μπεμπέ Joie Ramble, Ramble XL, παρακαλούμε ανατρέξτε στις ακόλουθες οδηγίες.

! Εάν αντιμετωπίζετε οποιαδήποτε προβλήματα σχετικά με τη χρήση του πορτ-μπεμπέ, ανατρέξτε στο σχετικό εγχειρίδιο οδηγιών.

! Μην χρησιμοποιείτε το προϊόν όταν το κεφάλι του μωρού είναι σε χαμηλότερο επίπεδο από τα πόδια του μετά την τοποθέτηση του πορτ-μπεμπέ.

! Χρησιμοποιείτε πάντα το στρώμα όταν χρησιμοποιείτε το πορτ-μπεμπέ.

! Μην διπλώνετε το καρότσι όταν έχετε τοποθετήσει το πορτ-μπεμπέ.

Χρήση με πορτ-μπεμπέ Joie Calmi

Δείτε τις εικόνες 59 - 57

Κατά τη χρήση με το πορτ-μπεμπέ Joie Calmi, παρακαλούμε ανατρέξτε στις ακόλουθες οδηγίες.

! Ένας ήχος “κλικ” σημαίνει ότι ο προσαρμογέας έχει ασφαλίσει σωστά.

! Χρησιμοποιείτε πάντα το στρώμα όταν χρησιμοποιείτε το πορτ-μπεμπέ.

! Βεβαιωθείτε ότι το πλέγμα στο κάτω μέρος του πορτ-μπεμπέ έχει στερεωθεί σωστά πριν από την εγκατάσταση του πορτ-μπεμπέ.

! Εάν αντιμετωπίζετε οποιαδήποτε προβλήματα σχετικά με τη χρήση του πορτ-μπεμπέ, ανατρέξτε στο σχετικό εγχειρίδιο οδηγιών.

! Μην κλείνετε το καρότσι όταν είναι τοποθετημένο το πορτ-μπεμπέ.

Αφαίρεση και συναρμολόγηση μαλακών στοιχείων

Δείτε τις εικόνες 58 - 58

1. Αφαιρέστε την προστατευτική μπάρα όπως φαίνεται στην εικόνα 58

2. Ανοίξτε την πόρπη που βρίσκεται στο κάτω μέρος του καθίσματος. 58

Για να τοποθετήσετε ξανά τα μαλακά στοιχεία καθίσματος, ακολουθήστε τα βήματα με την αντίστροφη σειρά 58 - 58

Καθαρισμός και συντήρηση

Δείτε την εικόνα 59

! Για να καθαρίσετε το πλαίσιο του καροτσιού, χρησιμοποιήστε οικιακό σαπούνι και ζεστό νερό. Μην χρησιμοποιείτε λευκαντικό ή απορρυπαντικό. Ανατρέξτε στην ετικέτα φροντίδας για οδηγίες σχετικά με τον καθαρισμό των υφασμάτων των τμημάτων του καροτσιού.

! Τα αφαιρούμενα μαλακά στοιχεία μπορούν να πλυθούν στο πλυντήριο. Μην χρησιμοποιείτε λευκαντικό. Μη στύβετε υπερβολικά το κάλυμμα του καθίσματος και την εσωτερική επένδυση για να στεγνώσουν. Αυτό ενδέχεται να δημιουργήσει ζάρες στο κάλυμμα του καθίσματος και την εσωτερική επένδυση.

! Ελέγχετε περιοδικά το καρότσι για χαλαρές βίδες, φθαρμένα εξαρτήματα, σχισμένο υλικό ή φθορές. Αντικαταστήστε ή επισκευάστε τα εξαρτήματα όπως απαιτείται. Περιστασιακά, σκουπίζετε τα πλαστικά μέρη με ένα μαλακό υγρό πανί. Στεγνώνετε πάντα τα μεταλλικά μέρη για να αποτρέψετε τη δημιουργία σκουριάς εάν το καρότσι έρθει σε επαφή με το νερό.

! Η υπερβολική έκθεση στον ήλιο ή τη θερμότητα μπορεί να προκαλέσει ξεθώριασμα ή παραμόρφωση των εξαρτημάτων.

! Εάν το καρότσι βραχεί, ανοίξτε την κουκούλα και αφήστε το να στεγνώσει καλά πριν το αποθηκεύσετε.

! Εάν οι τροχοί τρίβουν, χρησιμοποιήστε ένα ελαφρύ λάδι (π.χ. σπρέι πυριτίου, αντισκωριακό λάδι ή λάδι ραπτομηχανής). Είναι σημαντικό να εισέλθει το λάδι στο συγκρότημα άξονα και τροχού. 59

! Όταν χρησιμοποιείτε το καροτσάκι σας στην παραλία ή σε χώρους με άμμο/σκόνη, καθαρίστε πλήρως το καροτσάκι σας μετά τη χρήση για να αφαιρέσετε άμμο και αλάτι από τους μηχανισμούς και τα συγκροτήματα τροχών.

Gratulujemy zostania członkiem rodziny Joie! Bardzo się cieszymy z możliwości wspólnego podróżowania z Państwem dzieckiem. Podczas podróży z Joie Alore, używasz wysokiej jakości, wyposażonego w komplet certyfikatów wózka dziecięcego, zgodnego z Europejskimi standardami bezpieczeństwa EN 1888-2:2018+A1:2022. Ten produkt jest przeznaczony dla dzieci o wadze do 22 kg lub w wieku do 4 lat, zależnie od tego co nastąpi wcześniej. Prosimy o uważne przeczytanie tego podręcznika i wykonanie każdej czynności, aby zapewnić wygodną jazdę i najlepsze zabezpieczenie dziecka.

WAŻNE - DOKŁADNIE PRZECZYTAJ I ZACHOWAJ DO PRZYSZŁEGO WYKORZYSTANIA.

Odwiedź nas pod adresem joiebaby.com w celu pobrania podręczników i sprawdzenia, innych ekscytujących produktów Joie!

W celu uzyskania informacji o gwarancji, należy odwiedzić naszą stronę internetową, pod adresem joiebaby.com

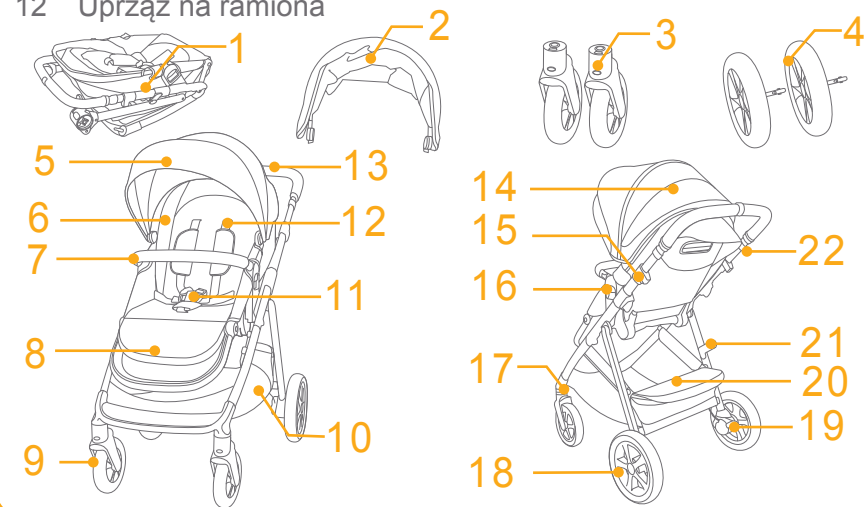
Sytuacja zagrożenia

W sytuacji zagrożenia lub po wypadku, najważniejsze jest, aby udzielić dziecku pierwszej pomocy i jak najszybciej poddać je leczeniu medycznemu.

Wykaz części

Upewnij się, że posiadasz wszystkie części zanim rozpoczniesz proces montażu. Jeśli którejś z części brakuje, należy się skontaktować z lokalnym sprzedawcą. Montaż nie wymaga użycia żadnych dodatkowych narzędzi.

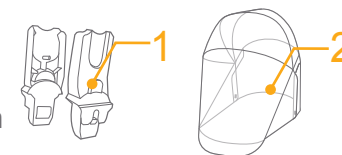
- | | |
|------------------------|---------------------------------|
| 1 Rama wózka | 13 Uchwyt |
| 2 Osłona | 14 Okno daszka |
| 3 Koło przednie | 15 Przycisk składania |
| 4 Koło tylne | 16 Przycisk zwolnienia fotelika |
| 5 Osłona | 17 Blokada obrotu |
| 6 Poduszka fotelika | 18 Koło tylne |
| 7 Pałak | 19 Dźwignia hamulca |
| 8 Podparcie łydek | 20 Torba do przechowywania |
| 9 Koło przednie | 21 Zapadka przechowywania |
| 10 Koszyk transportowy | 22 Przycisk regulacji uchwytu |
| 11 Sprzączka | |
| 12 Uprząż na ramiona | |



Akcesoria

(Mogą nie być dostarczone)

- 1 Adapter (w niektórych modelach)
- 2 Folia przeciwdeszczowa (w niektórych modelach)



Akcesoria mogą być sprzedawane oddzielnie lub w zależności od regionu, mogą nie być dostępne.

OSTRZEŻENIE

- ! Należy zawsze używać system fotelika samochodowego. Pasy bezpieczeństwa i systemy przytrzymujące muszą być używane prawidłowo.
- ! Przed rozpoczęciem używania produktu, należy się upewnić, że są zamknięte wszystkie blokady.
- ! Nie należy pozwalać dziecku na zabawę z tym produktem.
- ! Przed użyciem upewnić się, czy urządzenia mocujące korpus wózka, część z siedzeniem lub fotelik samochodowy są prawidłowo zamocowane.
- ! Wymagany jest montaż przez osobę dorosłą.
- ! Ten produkt jest przeznaczony dla dzieci o wadze do 22kg lub w wieku do 4 lat, zależnie od tego co nastąpi wcześniej.
- ! Aby zapobiec niebezpiecznym sytuacjom, niestabilności, w koszu nie należy umieszczać więcej niż 4,5 kg bagażu.
- ! Nigdy nie należy zostawiać dziecka bez nadzoru. Dziecko w wózku powinno być zawsze widoczne.
- ! W wózku dziecięcym może znajdować się jednocześnie tylko jedno dziecko. Nigdy nie należy zawieszać torebek, toreb na zakupy, paczek lub akcesoriów na uchwycie lub na daszku.
- ! Nie należy używać akcesoriów niezatwierdzonych przez producenta. Używać należy wyłącznie części zamiennych dostarczonych lub zalecanych przez producenta.
- ! Przeciążenie, nieprawidłowe złożenie lub używanie części składowych od innych producentów, może spowodować uszkodzenie wózka dziecięcego, złamanie lub utratę bezpieczeństwa. Należy dokładnie przeczytać podręcznik.
- ! Przed użyciem tego produktu, należy przeczytać wszystkie instrukcje z tego podręcznika. Ten podręcznik należy zachować do przyszłego użycia. Niestosowanie się do tych ostrzeżeń i instrukcji, może spowodować poważne obrażenia lub śmierć.
- ! Aby uniknąć poważnych obrażeń w wyniku upadku lub zsunęcia, należy używać pasa bezpieczeństwa.
- ! Podczas regulacji wózka dziecięcego należy się upewnić, że na ciele dziecka nie ma ruchomych części.

- ! Przed dopuszczeniem dziecka w pobliże wózka należy upewnić się, że jest on całkowicie rozłożony lub złożony.
- ! Jeśli nie będzie używana uprząż, dziecko może ześlizgnąć się do szczelin na nogi i udusić się.
- ! Nigdy nie należy używać wózka dziecięcego na schodach lub w windach.
- ! Należy unikać obiektów o wysokich temperaturach, płynów i elektroniki.
- ! Nigdy nie należy pozwalać dziecku stawać w wózku lub siadać w wózku głową zwrócona w kierunku wózka.
- ! Wózka dziecięcego nigdy nie należy ustawiać na drogach, stokach lub w niebezpiecznych miejscach.
- ! Aby uniknąć uduszenia, NIE wolno umieszczać na szyi dziecka elementów ze sznurkiem, pozostawiać wiszących sznurków na tym produkcie lub wiązać sznurków do zabawek.
- ! Każdy ładunek przymocowany do uchwytu i/lub z tyłu oparcia i/lub na bokach wózka będzie wpływać na stabilność wózka.
- ! NIE należy podnosić wózka dziecięcego, gdy znajduje się w nim dziecko.
- ! NIE należy używać kosza do przewożenia dziecka.
- ! Aby zapobiec przewróceniu, nigdy nie należy pozwalać dziecku na wspinanie się po wózku dziecięcym. Należy zawsze wkładać i wyjmować dziecko z wózka dziecięcego.
- ! Aby uniknąć uchwycenia palców, podczas składania i rozkładania wózka dziecięcego należy zachować ostrożność.
- ! Aby uniknąć obrażeń podczas składania i rozkładania tego produktu należy się upewnić, że dziecko znajduje się dalej.
- ! Aby zapewnić bezpieczeństwo dziecka, przed użyciem wózka dziecięcego należy się upewnić, że wszystkie części zostały złożone i przymocowane prawidłowo.
- ! Aby uniknąć uduszenia, należy się upewnić, że dziecko znajduje się dalej od daszka.
- ! Podczas parkowania wózka dziecięcego należy zawsze uruchamiać hamulce.
- ! Należy przerwać używanie wózka jeśli zostanie on uszkodzony lub pęknięty.

- ! Wózek dziecięcy można używać wyłącznie z prędkością spacerową. Ten produkt nie jest przeznaczony do używania podczas joggingu.
- ! Aby uniknąć uduszenia, przed użyciem tego produktu należy usunąć plastikowy worek i materiały pakujące. Plastikowy worek i materiały pakujące należy trzymać z dala od niemowląt i dzieci.
- ! Ten produkt nie jest odpowiedni do biegania lub jazdy na wrotkach.
- ! Wózek dziecięcy przeznaczony dla dzieci od urodzenia, dla noworodków powinien być używany w najbardziej nachylonej pozycji.
- ! Podczas wkładania i wyjmowania dzieci należy uruchomić urządzenie parkingowe.
- ! Systemy przytrzymujące dla niemowląt, używane w połączeniu z podstawą, nie zastąpią łóżeczka dziecięcego lub łóżka. Gdy dziecko chce spać, należy je umieścić w odpowiednim wózku dziecięcym, łóżeczku dziecięcym lub na łóżku.
- ! Daszka nie należy używać, gdy dziecko będzie już mogło samo siadać, przekręcać się z boku na bok i ustawiać, opierając się na rękach i na kolanach. Maksymalna masa dziecka: 9 kg.
- ! NIE WOLNO używać ani dodawać żadnego materaca innego niż dostarczony wraz z gondolą.
- ! Nie mocować przedmiotów od uchwytu, oparcia siedzenia lub boków wózka. Każde dodatkowe obciążenie będzie mieć wpływ na stabilność wózka i może spowodować wywrócenie wózka.
- ! Nie są wymagane żadne dodatkowe materace o ile nie zaleci ich producent.
- ! Nie należy składać ramy, gdy jest siedzenie jest skierowane do tyłu.

Montaż wózka dziecięcego

(Patrz ilustracje na stronach 1-12)

Przed montażem i rozpoczęciem używania tego produktu, należy przeczytać wszystkie instrukcje z tego podręcznika.

Rozkładanie wózka dziecięcego

Patrz ilustracje ① - ③

Oddziel zatrzask kosza od elementu montażowego kosza ①, a następnie unieś uchwyt do góry ②, dźwięk kliknięcia oznacza, że wózek dziecięcy jest całkowicie otwarty.

! Naciśnij podnózek w dół i zresetuj go. ③ - 1

! Zamontuj przycisk pod podparciem łydek. ③ - 2

! Przed kontynuowaniem używania należy sprawdzić, czy wózek dziecięcy jest całkowicie zatrzasknięty.

Montaż i demontaż kół przednich

Patrz ilustracje ④ - ⑤

Montaż i demontaż kół tylnych

Patrz ilustracje ⑥ - ⑧

Montaż daszki

Patrz ilustracje ⑨ - ⑩

Montaż i demontaż wspornika ramion

Patrz ilustracje ⑪ - ⑫

Całkowicie zmontowany wózek jest pokazany jako ⑬

Działanie wózka dziecięcego

Regulacja oparcia

Patrz ilustracje ⑭ - ⑮

Dostępnych jest 5 kątów nachylenia oparcia pleców.

Nachylenie oparcia pleców

Aby nachylić oparcie pleców, ściśnij uchwyt nachylenia z tyłu siedzenia, naciśnij w dół oparcie pleców. ⑭

Podnoszenie oparcia pleców

Aby podnieść oparcie pleców, naciśnij w górę. ⑮

! Upewnij się, że nachylenie jest ustawione prawidłowo do używania.

! Maksymalny udźwieg kieszeni transportowej na oparciu pleców wynosi 0,45kg.

Korzystanie ze sprzączki

Patrz ilustracje ⑯ - ⑰

Zwolnienie sprzączki

Naciśnij środkowy przycisk, aby zwolnić sprzączkę. ⑯

Sprzączka blokady

Dopasuj sprzączkę pasa biodrowego do sprzączki pasa na ramiona ⑰ - 1 i zatrzasknij w sprzączce centralnej. ⑰ - 2 "Kliknięcie" oznacza, że sprzączka została całkowicie zatrzasknięta. ⑰ - 3

! Aby uniknąć poważnych obrażeń w wyniku upadku lub zsunienia, należy zawsze zabezpieczyć dziecko uprzężą.

! Należy się upewnić, że dziecko jest dobrze zabezpieczone. Odległość pomiędzy dzieckiem a uprzężą na ramiona powinna wynosić około grubości jednej dłoni.

! Nie należy krzyżować pasów na ramiona. Może to spowodować nacisk na kark dziecka.

Używanie uprząży na ramiona i biodra

Patrz ilustracje 18 - 21

! Aby zabezpieczyć dziecko przed upadkiem, po umieszczeniu dziecka na siedzeniu, należy sprawdzić, czy uprząż na ramiona i na talię jest założona na właściwej wysokości i, czy ma odpowiednią długość.

- 18 - 1 Kotwa A uprząży na ramiona
- 18 - 2 Kotwa B uprząży na ramiona
- 18 - 3 Regulator przesuwu

Dla większego dziecka, należy użyć kotwę A uprząży i najwyższe szczeliny uprząży na ramiona. Dla mniejszego dziecka, należy używać kotwy B uprząży na ramiona i najniższych szczelin uprząży na ramiona.

! Pozycję kotwy pasa na ramiona można regulować w miejscu ponad otwarciem, zamykanym klamrami lub poniżej kieszeni. 18 - 1

Aby wyregulować pozycję kotwy uprząży na ramiona, obróć kotwę w celu wypoziomowania ze stroną skierowaną do przodu. Przelóż ją przez szczelinę uprząży na ramiona, od tyłu do przodu. 18 Przelóż ponownie przez szczelinę najbliższą wysokości ramion dziecka. 20

Użyj regulatora przesuwu do zmiany długości uprząży. 20 - 1

Naciśnij przycisk 21 - 2, wyciągając jednocześnie uprząż na pas na prawidłową długość. 21 - 3

Regulacja oparcia tydek

Patrz ilustracje 22 - 23

Oparcie tydek ma 2 pozycje.

Aby unieść oparcie tydek, naciśnij je do góry. 22 Dźwięk "kliknięcia" oznacza, że oparcie tydek jest całkowicie zablokowane.

W celu obniżenia podparcia tydek, naciśnij przyciski regulacji z obu stron podparcia tydek 23 - 1 i obróć podparcie tydek w dół. 23 - 2

Korzystanie z blokady obrotu

patrz ilustracja 24

Przednie koło zablokowane lub odblokowane, jak 24.

Wskazówka Korzystanie z blokady obrotu zalecane jest na nierównych powierzchniach.

Korzystanie z hamulca

Patrz ilustracje 25 - 26

Aby zablokować koła, opuść w dół dźwignię hamulca. 25

Aby zwolnić koła, podnieś dźwignię hamulca do góry. 26

Wskazówka Zawsze, kiedy wózek stoi hamulec powinien być zablokowany.

Korzystanie z daszka

Patrz ilustracje 27 - 28

Daszek można otwierać lub składać, pociągnij go do przodu lub do tyłu.

Daszek można otworzyć całkowicie, aby zabezpieczyć dziecko przed nadmiernym słońcem, wystarczy otworzyć zamek suwakami 27, a następnie pociągnąć daszek do przodu.

Na daszku znajduje się okno, przez które można widzieć dziecko. 28

Regulacja uchwytu

patrz ilustracja 29

Uchwyt ma 3 pozycje.

Regulacja wysokości siedzenia

patrz ilustracje 30 - 31

Siedzenie ma 3 pozycje.

Pociągnij siedzenie w górę, aby zwiększyć wysokość siedzenia. 30

Naciśnij przyciski regulacji siedzenia i pociągnij je w górę, a następnie popchnij w dół w celu zmniejszenia wysokości siedzenia. 31

Zmiana kierunku ustawienia siedzenia

patrz ilustracje 32 - 33

Siedzenie można przekręcić, co umożliwi widzenie przez matkę twarzy dziecka.

Ściśnij przyciski zwalniania siedzenia i podnieś siedzenie do góry. Przekręć siedzenie w odwrotnym kierunku, a następnie włóż siedzenie do elementów montażowych siedzenia.

Obydwa elementy montażowe siedzenia, powinny się znajdować na poziomie pokazanym, jako 33, jeśli wystąpi sytuacja pokazana, jako 32 i 33, należy nacisnąć przycisk regulacji wysokości siedzenia i pociągnąć je w górę, a następnie nacisnąć w dół w celu zmniejszenia wysokości siedzenia, aby się upewnić, że są wypoziomowane obydwoma elementami montażowymi siedzenia. 33

Korzystanie z koszyka transportowego

patrz ilustracja 34

Aby zapobiec niebezpiecznej niestabilności, nie wolno umieszczać w koszyku transportowym i torbie do przechowywania obiektów o wadze przekraczającej 4,5kg.

Składanie wózka

Patrz ilustracje 40 - 43

! Przed złożeniem wózka dziecięcego należy złożyć daszek.

Naciśnij przycisk składania i pociągnij go w górę, 40 a następnie przekręć uchwyt w dół, 41 po czym nastąpi automatyczne zamknięcie zatrzasku złożenia daszka. 42

! Jeśli siedzenie znajduje się w najniższej pozycji, podczas składania wózka może się przesunąć w dół, aby zapewnić automatyczne zamknięcie zatrzasku złożenia daszka.

! Nie należy składać ramy, gdy jest siedzenie jest skierowane do tyłu. 43

! Nie należy składać ramy, gdy jest zablokowana blokada obrotu przedniego koła.

! Wózek ze skierowanym do przodu siedzeniem, może stać, gdy uchwyt znajduje się w najwyższej pozycji.

Używanie akcesoriów

Akcesoria mogą być sprzedawane oddzielnie lub w zależności od regionu, mogą nie być dostępne.

Korzystanie z osłony przeciwdeszczowej

patrz ilustracja 44

W celu zamontowania osłony przeciwdeszczowej należy umieścić ją nad siedzeniem.

! W przypadku korzystania z osłony przeciwdeszczowej należy zawsze pamiętać o sprawdzeniu wentylacji.

! Jeżeli osłona przeciwdeszczowa nie jest wykorzystywana należy pamiętać o jej wyczyszczeniu i wysuszeniu przed złożeniem.

! Nie wolno składać wózka z założoną osłoną przeciwdeszczową.

! W przypadku upalnej pogody nie wolno wkładać dziecka do wózka z założoną osłoną przeciwdeszczową.

Używanie z systemem przytrzymującym dla niemowląt

Patrz ilustracje 45 - 49

Podczas używania z fotelikiem samochodowym dla niemowlęcia i-Snug 2 oraz i-Gemm 3 i i-Level Recline oraz i-Jemini & Gemm Joie, należy sprawdzić następujące instrukcje.

! Dźwięk „kliknięcia” oznacza, że adapter jest całkowicie zablokowany.

! Kąt podtrzymywania nosidełka dla niemowlęcia można regulować z użyciem naszych regulowanych adapterów. 47

! Adapter ma 3 pozycje. Produktu nie należy używać, gdy po założeniu systemu podtrzymującego dla niemowląt, główka dziecka znajduje się niżej niż stopy.

! W przypadku problemów dotyczących używania systemów przytrzymujących dla niemowląt, należy sprawdzić ich podręczniki.

! Nie należy składać wózka dziecięcego, gdy system fotelika samochodowego dla niemowlęcia jest nadal zamontowany.

Używanie z gondolą Ramble i Ramble XL Joie

Patrz ilustracje 30 - 33

Podczas używania ze spacerówką z gondolą Joie, należy stosować się do poniższych instrukcji.

- ! W przypadku problemów dotyczących używania daszka, należy sprawdzić jego instrukcję.
- ! Produktu nie należy używać, gdy po założeniu gondoli, główka dziecka znajduje się niżej niż stopy.
- ! Podczas korzystania z fotelika transportowego należy zawsze korzystać z materaca.
- ! Nie należy składać wózka, gdy jest założona torbą do noszenia niemowlęcia.

Używanie z gondolą Calmi Joie

Patrz ilustracje 34 - 37

Podczas używania z daszkiem Calmi, należy się stosować do następujących instrukcji.

- ! Dźwięk „kliknięcia” oznacza, że adapter jest całkowicie zablokowany.
- ! Podczas korzystania z fotelika transportowego należy zawsze korzystać z materaca.
- ! Przed instalacją daszka należy sprawdzić, czy jest prawidłowo przymocowana siatka na spodzie daszka.
- ! W przypadku problemów dotyczących używania daszka, należy sprawdzić jego instrukcję.
- ! Nie należy składać wózka, gdy jest zamontowany daszek.

Odłączanie i montaż miękkich elementów

Patrz ilustracje 38 - 39

1. Zdejmij pałąk, jak pokazano na ilustracji 12
2. Otwórz sprzączkę na dolnej części siedzenia. 35

Aby ponownie zamontować miękkie elementy siedzenia, wykonaj podane wyżej czynności w kolejności odwrotnej 38 - 39

Czyszczenie i konserwacja

patrz ilustracja 34

- ! Do czyszczenia ramy wózka wolno stosować jedynie mydło domowe i ciepłą wodę. Nie wolno stosować środków wybielających ani detergentów. Instrukcja czyszczenia części wózka wykonanych z tkaniny znajduje się na etykiecie dotyczącej konserwacji.
- ! Wyjmowane miękkie elementy można prać w pralce. Nie wolno stosować środków wybielających. Nie należy skręcać z wielką siłą pokrowca siedzenia i obicia wewnętrznego w celu wysuszenia. Może to spowodować zagniecenia na pokrowcu siedzenia i na obiciu wewnętrznym.
- ! Od czasu do czasu należy sprawdzić, czy w wózku nie ma poluzowanych wkrętów, zużytych części, rozdartego materiału lub szwów. W razie potrzeby, naprawić lub wymienić części. Okresowo należy przecierać elementy z tworzywa sztucznego miękką wilgotną ściereczką. Jeżeli doszło do kontaktu wózka z wodą, zawsze należy wysuszyć części metalowe, celem zapobieżenia tworzeniu się rdzy.
- ! Nadmierna ekspozycja na słońce lub ciepło może spowodować faldowanie lub wyginanie się części.
- ! Jeżeli wózek ulegnie zamoczeniu, daszek należy otworzyć i wysuszyć go dokładnie przed dalszym przechowywaniem.
- ! Jeżeli kółka skrzypią użyć delikatnego oleju (np. aerozolu silikonowego, środka przeciwrzdzewego lub oleju do maszyn do szycia). Ważne jest wprowadzenie oleju między oś a koło. 34
- ! W przypadku korzystania z wózka na plaży lub w innych zapiaszczonych/zapyłonych środowiskach, dokładnie oczyścić wózek po użyciu, w celu usunięcia piasku i soli z mechanizmów oraz zespołów kół.

CZ Vítá vás značka Joie™

Blahopřejeme vám - stali jste se členy rodiny Joie! Jsme nadšeni, že můžeme doprovázet vaše dítě na cestě. Při cestování s kočárkem Joie Alore používáte kvalitní, plně certifikovaný kočárek schválený evropskými bezpečnostními normami EN 1888-2:2018+A1:2022. Tento produkt je vhodný pro děti do 22 kg nebo do 4 let (podle toho, co nastane dříve). Pozorně si přečtete tento návod. Jeho dodržováním zajistíte pohodlnou jízdu a maximální ochranu svého dítěte.

DŮLEŽITÉ - POZORNĚ SI PŘEČTETE TENTO NÁVOD A USCHOVEJTE JEJ PRO BUDOUCÍ POUŽITÍ.

Pro stažení návodů a více podrobností o vzrušujících výrobcích Joie nás navštivte na joiebaby.com!

Informace o záruce najdete na našem webu joiebaby.com

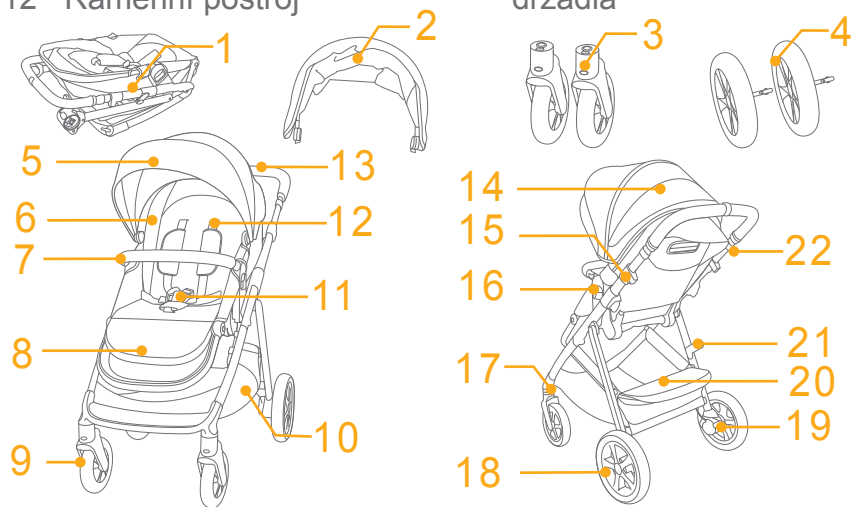
Stav nouze

V případě ohrožení nebo úrazu je nejdůležitější poskytnout vašemu dítěti okamžité ošetření a následnou lékařskou pomoc.

Seznam dílů

Před sestavením se ujistěte, že nechybí žádné součásti. V případě, že některá součást chybí, kontaktujte prodejce. K sestavení nejsou zapotřebí žádné nástroje.

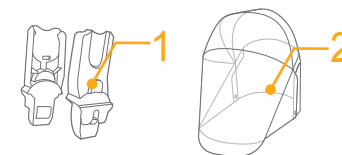
- | | |
|--------------------|-------------------------------|
| 1 Rám kočárku | 13 Rukojeť |
| 2 Stříška | 14 Okénko ve stříšce |
| 3 Přední kolečko | 15 Tlačítko rozložení |
| 4 Zadní kolečko | 16 Tlačítko uvolnění sedátka |
| 5 Stříška | 17 Zámek natáčení koleček |
| 6 Vložka sedačky | 18 Zadní kolečko |
| 7 Opěrka rukou | 19 Páčka brzdy |
| 8 Opěrka nohou | 20 Úložná taška |
| 9 Přední kolečko | 21 Úložná západka |
| 10 Úložný košík | 22 Tlačítko nastavení držadla |
| 11 Přezka | |
| 12 Ramenní postroj | |



Příslušenství

(Nemusí být součástí)

- 1 Adaptér (u vybraných modelů)
- 2 Pláštěnka (u vybraných modelů)



Příslušenství se může prodávat zvlášť nebo nemusí být k dispozici v závislosti na regionu.

VAROVÁNÍ

- ! Vždy používejte zádržný systém. Je nezbytné správně používat bezpečnostní pásy a zádržné systémy.
- ! Před použitím zkontrolujte, zda jsou všechny pojistky aktivovány.
- ! Nedovolte, aby si dítě s tímto výrobkem hrálo.
- ! Před použitím zkontrolujte, zda jsou správně zajištěny upevňovací prvky korby, sedátka nebo autosedačky.
- ! Sestavení smí provést pouze dospělá osoba.
- ! Tento produkt je vhodný pro děti do 22 kg nebo do 4 let (podle toho, co nastane dříve).
- ! Aby se zabránilo nebezpečné a nestabilní situaci, neumísťujte do úložného košíku více než 4,5 kg.
- ! Své dítě v žádném případě neponechávejte bez dozoru. Když je vaše dítě v kočárku, mějte jej vždy na očích.
- ! Na tomto kočárku převázejte pouze jedno dítě najednou. V žádném případě neumísťujte peněženky, nákupní tašky, balíky nebo příslušenství na držadlo nebo stříšku.
- ! Je zakázáno používat příslušenství, které nebylo schváleno výrobcem. Je dovoleno používat pouze náhradní díly, které byly dodány nebo doporučeny výrobcem.
- ! Přetěžování, nesprávné rozkládání nebo používání dílů jiných výrobců může způsobit poškození, rozbití nebo omezení bezpečnosti kočárku. Pozorně si přečtěte návod k použití.
- ! Před použitím tohoto výrobku si přečtěte všechny pokyny v tomto návodu. Uchovejte si tento návod pro budoucí použití. Nedodržení těchto výstrah a pokynů může vést k vážnému poranění nebo smrti.
- ! Aby se zabránilo pádu nebo vyklouznutí a vážnému zranění, vždy používejte bezpečnostní pás.
- ! Při nastavování kočárku zajistěte, aby se vaše dítě nacházelo mimo dosah pohyblivých částí.

- ! Než dítě pustíte ke kočárku, ujistěte se, že kočárek je zcela otevřený nebo rozložen.
- ! V případě nepoužití postroje může dítě sklouznout do otvorů pro nohy a zamotat se.
- ! V žádném případě nepoužívejte tento kočárek na schodech nebo eskalátorech.
- ! Uchovávejte mimo dosah předmětů o vysoké teplotě, kapalin a elektroniky.
- ! V žádném případě nedovolte svému dítěti, aby si na kočárku stoupalo nebo aby sedělo na kočárku hlavou dopředu.
- ! V žádném případě neumísťujte kočárek na silnice, svahy nebo nebezpečná místa.
- ! Aby se zabránilo uškrcení, NEUMÍSŤUJTE předměty s provázky okolo krku dítěte, nezavěšujte provázky z tohoto výrobku ani nepřivazujte provázky k hračkám.
- ! Jakákoli zátěž připevněná na držadlo a/nebo na zadní stranu opěráku a/nebo na boční strany vozidla sníží jeho stabilitu.
- ! NEZVEDEJTE kočárek, pokud je dítě v kočárku.
- ! NEVOZTE dítě v úložném košíku.
- ! Aby se zabránilo převrácení, v žádném případě nedovolte dítěti, aby na kočárek šplhalo. Při vkládání a vyjímání z kočárku dítě vždy zvedněte.
- ! Aby se zabránilo skřípnutí prstů, postupujte při rozkládání a skládání kočárku opatrně.
- ! Rozkládání a skládání tohoto výrobku provádějte v bezpečné vzdálenosti od dítěte, aby se zabránilo zranění.
- ! Aby byla zajištěna bezpečnost vašeho dítěte, před použitím kočárku zkontrolujte, zda jsou všechny díly řádně sestaveny a zajištěny.
- ! Aby se zabránilo uškrcení, zajistěte, aby vaše dítě bylo mimo dosah stříšky.
- ! Při parkování kočárku vždy použijte brzdy.
- ! Pokud je kočárek poškozený nebo rozbitý, přestaňte jej používat.

- ! Tento kočárek lze používat pouze při rychlosti chůze. Tento výrobek není určen pro použití při kondičním běhání.
- ! Před používáním tohoto výrobku odstraňte igelitový sáček a obalové materiály, aby se zabránilo udušení. Igelitový sáček a obalové materiály je třeba uchovávat mimo dosah novorozenců a dětí.
- ! Tento výrobek není vhodný pro běhání nebo bruslení.
- ! Tento kočárek je určen pro používání od narození. Pro novorozence doporučujeme používat největší sklon.
- ! Při vkládání nebo vyjímání dětí musí být aktivováno parkovací zařízení.
- ! Používáte-li zádržný systém pro novorozence v kombinaci s podvozkem, tento kočárek nenahrazuje postýlku ani lůžko. Když vaše dítě potřebuje spát, uložte jej do vhodné hluboké korby, postýlky nebo na vhodné lůžko.
- ! Přestaňte používat hlubokou korbu, jakmile dítě dokáže samo sedět, otočit se a samo se zvedat na ruce a kolena. Maximální hmotnost dítěte: 9 kg.
- ! NEPOUŽÍVEJTE ani nepřidávejte jinou matraci, než byla dodána s touto hlubokou korbou.
- ! Nepřipevňujte žádné předměty k držadlu, sedátku ani boční strany kočárku. Jakákoli další zátěž ovlivní stabilitu kočárku a mohlo by dojít k naklonění kočárku.
- ! Není-li doporučeno výrobcem, nepřidávejte žádnou další matraci.
- ! Nerozkládejte rám se sedačkou nasazenou proti směru jízdy.

Sestavení kočárku

(Řiďte se prosím obrázky na straně 1-12)

Před montáží a použitím tohoto výrobku si přečtěte všechny pokyny v tomto návodu.

Otevřený kočárek

viz obrázky 1 - 3

Oddělte úložnou západku od úložného držáku 1 a potom zvedněte rukojeť nahoru 2. Jakmile se ozve cvaknutí, kočárek je zcela složený.

! Stiskněte opěrku chodidel dolů a srovnejte ji. 3 - 1

! Zapněte knoflík pod opěrkou nohou. 3 - 2

! Než budete pokračovat, zkontrolujte, zda je kočárek zcela zajištěný západkami

Montáž a sejmutí předního kolečka

viz obrázky 4 - 5

Montáž a sejmutí zadního kolečka

viz obrázky 6 - 8

Montáž stříšky

viz obrázky 9 - 10

Montáž a sejmutí opěrky rukou

viz obrázky 11 - 12

Zcela sestavený kočárek je zobrazen na obrázku 13

Používání kočárku

Úprava opěráku

viz obrázky 14 - 15

K dispozici je 5 poloh sklonu opěráku.

Sklopení opěráku

Pro náklon opěráku sevřete rukojeť náklonu na zadní straně sedačky a zatlačte na opěrák směrem dolů. 14

Zvednutí opěráku

Chcete-li opěrák zvednout, zatlačte jej nahoru. 15

! Ujistěte se, že náklon je řádně nastaven pro použití.

! Maximální zatížení úložné kapsy na zadní straně opěráku je 0,45 kg.

Použití spony

viz obrázky 16 - 17

Uvolnění spony

Stiskněte prostřední tlačítko pro odepnutí spony. 16

Zámek spony

Srovnejte sponu bederního pásu se sponou ramenního pásu 17 - 1 a zacvakněte do středové spony. 17 - 2

! Jakmile se ozve „cvaknutí“, znamená to, že spona je zcela zajištěná. 17 - 3

! Aby se zabránilo pádu nebo vyklouznutí a vážnému zranění, vždy zajištěte své dítě postrojem.

! Ujistěte se, že dítě je pohodlně zajištěno. Mezi dítětem a ramenním postrojem musí být prostor přibližně na tloušťku jedné ruky.

! Nekřížte ramenní pásy. Tím se vytváří tlak na krk dítěte.

Použití ramenního postroje a postroje do pasu

viz obrázky 18 - 21

! Abyste vaše dítě ochránili před vypadnutím, po usazení dítěte do sedačky zkontrolujte, zda jsou ramenní a bederní postroj ve správné výšce a délce.

18 - 1 Kotva ramenního postroje A

18 - 2 Kotva ramenního postroje B

18 - 3 Posuvný regulátor

Pro větší dítě použijte kotvu ramenního postroje A a nejvyšší ramenní sloty. Pro menší dítě použijte kotvu ramenního postroje B a nejnižší ramenní sloty.

! Poloha kotvy ramenního pásu může být nastavena od horního otvoru, který se uzavírá pomocí zipů nebo pod kapsou. 19 - 1

Pro úpravu pozice kotvy ramenního postroje otočte kotvu tak, aby byla v rovině s boční stranou směřující dopředu. Protáhněte ji slotem ramenního postroje zezadu dopředu. 16 Znovu ji protáhněte slotem, který je nejbližší výšce ramene dítěte. 20

Pro změnu délky postroje použijte posuvný regulátor. 21 - 1

Stiskněte tlačítko 21 - 2 a zároveň vytáhněte bederní postroj na správnou délku. 21 - 3

Úprava opěrky nohou

viz obrázky 22 - 23

Opěrka nohou má 2 polohy.

Pro zvednutí opěrky nohou ji zatlačte směrem nahoru. 22 Jakmile se ozve „cvaknutí“, znamená to, že opěrka je zcela zajištěna.

Pro snížení opěrky nohou stiskněte nastavovací tlačítka na obou stranách opěrky nohou 23 - 1 a otočte opěrku nohou směrem dolů. 23 - 2

Použití zámku natáčení předních koleček

viz obrázek 24

Stav zamknutí/odemknutí předních koleček viz 24.

Tip Na nerovném povrchu doporučujeme zablokovat natáčení koleček.

Použití brzdy

viz obrázky 25 - 26

Pro zajištění koleček stlačte páčku brzdy směrem dolů. 25

Pro uvolnění koleček stačí zvednout páčku brzdy směrem nahoru. 26

Tip Když zastavíte, vždy použijte parkovací brzdu.

Použití stříšky

viz obrázky 27 - 28

Stříška může být rozložena nebo složená, zatáhněte dopředu nebo dozadu.

Stříšku lze zcela otevřít pro extrémní ochranu vašeho dítěte před sluncem, stačí rozepnout zip 27 a stáhnout stříšku dopředu.

Ve stříšce je okénko, kterým můžete své dítě sledovat. 28

Úprava držadla

viz obrázek 29

Rukojeť má 3 polohy.

Úprava výšky sedačky

viz obrázky 30 - 31

Sedačka má 3 polohy.

Potážením sedačky nahoru zvětšíte výšku sedačky. 30

Stiskněte tlačítka nastavení výšky sedačky a potáhněte nahoru. Potom zatlačením dolů zmenšíte výšku sedačky. 31

Otočení sedačky

viz obrázky 32 - 33

Sedačku lze otočit, což umožňuje, aby bylo dítě otočené k matce.

Sevřete uvolňovací tlačítka sedátka a zvedněte sedátko nahoru. Otočte sedátko do opačného směru a potom zasuňte sedátko do držáků.

Oba držáky sedátka musí být vyrovnaný jako na obrázku 33. Dojde-li k situaci 34 & 35, stiskněte tlačítko pro nastavení výšky sedátka a vytáhněte jej nahoru. Potom zatlačením dolů zmenšíte výšku sedátka, aby byly oba držáky sedátka vodorovně. 35

Používání úložného košíku

viz obrázek 36

Aby se zabránilo nebezpečí a porušení stability, neumísťujte do úložného košíku a úložné tašky více než 4,5 kg.

Rozložení kočárku

viz obrázky 40 - 43

! Před rozložením kočárku složte stříšku.

Stiskněte tlačítko rozložení a přitáhněte jej nahoru, 40 potom otočte rukojeť dolů, 41 rozkládací západka se může automaticky zajistit. 42

! Pokud je sedátko ve spodní poloze, může při rozkládání kočárku sklouznout dolů tak, aby se automaticky zajistila rozkládací západka.

! Nerozkládejte rám se sedačkou nasazenou proti směru jízdy. 43

! Nerozkládejte rám, když je zablokováno otáčení předních koleček.

! Kočárek se sedačkou v orientaci po směru jízdy může stát, když je držadlo v nejvyšší pozici.

Použití příslušenství

Příslušenství se může prodávat zvlášť nebo nemusí být k dispozici v závislosti na regionu.

Použití pláštěnky

viz obrázek 44

Pláštěnku nasadte přes sedačku.

! Při použití pláštěnky prosím vždy zkontrolujte její ventilaci.

! Před rozložením vždy zkontrolujte, zda byla pláštěnka očištěna a je suchá.

! Nerozkládejte kočárek s nasazenou pláštěnkou.

! V horkém počasí neumísťujte dítě do kočárku s nasazenou pláštěnkou.

Použití zádržného systému pro novorozence

viz obrázky 45 - 46

Při použití se zádržným systémem i-Snug 2 & i-Gemm 3 & i-Level Recline & i-Jemini & Gemm si prosím přečtěte následující pokyny.

! Jakmile se ozve „cvaknutí“, znamená to, že adaptér je zcela zajištěný.

! Úhel zádržného systému pro novorozence lze upravit s použitím našich stavitelných adaptérů. 47

! Adaptér má 3 polohy. Nepoužívejte produkt, pokud je hlava dítěte po připevnění zádržného systému pro novorozence níže, než nohy.

! Máte-li problémy s použitím dětské autosedačky, přečtěte si prosím jeho vlastní pokyny k použití.

! Nerozkládejte kočárek s nasazenou dětskou autosedačkou.

Použití s hlubokou korbou Joie Ramble, Ramble XL

viz obrázky 50 - 53

Při použití s hlubokou korbou Joie ramble a ramble xl si prosím přečtěte následující pokyny.

- ! Máte-li problémy s použitím hlubokého lůžka, přečtěte si prosím jeho vlastní pokyny k použití.
- ! Nepoužívejte produkt, pokud je hlava dítěte po připevnění hluboké korby níže, než nohy.
- ! S hlubokou korbou vždy používejte matraci.
- ! Nerozkládejte kočárek s nasazenou hlubokou korbou.

Použití s hlubokou korbou Joie Calmi

viz obrázky 54 - 57

Při použití s korbou Joie Calmi postupujte podle následujících pokynů.

- ! Jakmile se ozve „cvaknutí“, znamená to, že adaptér je zcela zajištěný.
- ! S hlubokou korbou vždy používejte matraci.
- ! Před instalací hluboké korby zkontrolujte, zda je mřížka v dolní části hluboké korby řádně upevněna.
- ! Máte-li problémy s použitím hlubokého lůžka, přečtěte si prosím jeho vlastní pokyny k použití.
- ! Nerozkládejte kočárek s nasazenou korbou.

Sejmutí a montáž látkových částí

viz obrázky 58 - 63

1. Odstraňte opěrku rukou, jak je znázorněno na 12
2. Rozepněte přezku na dolní straně sedátka. 59

Při nasazování látkových částí sedačky provádějte výše uvedené kroky v opačném pořadí 63 - 68

Čištění a údržba

viz obrázek 64

- ! K čištění rámu kočárku použijte pouze běžné mýdlo a teplou vodu. Nepoužívejte bělidlo ani detergent. Pokyny pro čištění textilních částí kočárku najdete na štítku s pokyny pro péči a údržbu.
- ! Snímatelné látkové části lze prát v pračce. Nebělit. Potah sedačky ani vnitřní polstrování neždímejte pro rychlejší schnutí. Mohlo by to na potahu sedačky nebo na vnitřním polstrování zanechat záhyby.
- ! Pravidelně kontrolujte stav opotřebení součástí a případné uvolněné šrouby, potrhání materiálu nebo švů výrobku. Poškozené součásti podle potřeby vyměňte nebo opravte. Pravidelně čistěte plastové části měkkým vlhkým hadříkem. Kovové části vždy osušte, abyste zabránili tvorbě rzi, pokud kočárek přišel do kontaktu s vodou.
- ! Nadměrné vystavení slunci nebo teple může způsobit blednutí nebo deformování dílů.
- ! Pokud kočárek navlhne, otevřete stříšku a před uložením ho nechte důkladně oschnout.
- ! Pokud kolečka skřípají, použijte lehký olej (např. silikonový sprej, antikorozi oleje nebo olej na šicí stroje). Je důležité namazat olejem nápravu koleček. 64
- ! Při použití kočárku na pláži nebo v jiném písčitém/prašném prostředí kočárek po použití zcela vyčistěte, abyste odstranili písek a sůl z mechanismů a nápravy koleček.

SK Vitajte v rodine Joie™

Blahoželáme, že ste sa stali súčasťou rodiny Joie! Sme nadšení, že sme súčasťou vašej cesty s vašim dieťaťom. Pri cestovaní s Joie Alore používate kvalitný, plne certifikovaný kočík, schválený podľa európskych bezpečnostných noriem STN EN 1888-2:2018+A1:2022. Tento výrobok je vhodný pre deti od narodenia do 22 kg alebo 4 rokov, podľa toho, čo nastane skôr. Pozorne si prečítajte túto príručku a dodržiavajte všetky kroky na zabezpečenie pohodlnej jazdy a čo najlepšej ochrany svojho dieťaťa.

DÔLEŽITÉ - POZORNE SI PREČÍTAJTE A UCHOVAJTE PRE NESKORŠIE POUŽITIE.

Navštívte nás na joiebaby.com, kde si môžete stiahnuť manuály a pozrieť ďalšie zaujímavé výrobky spoločnosti Joie!

Informácie o záruke nájdete na našej webovej stránke joiebaby.com

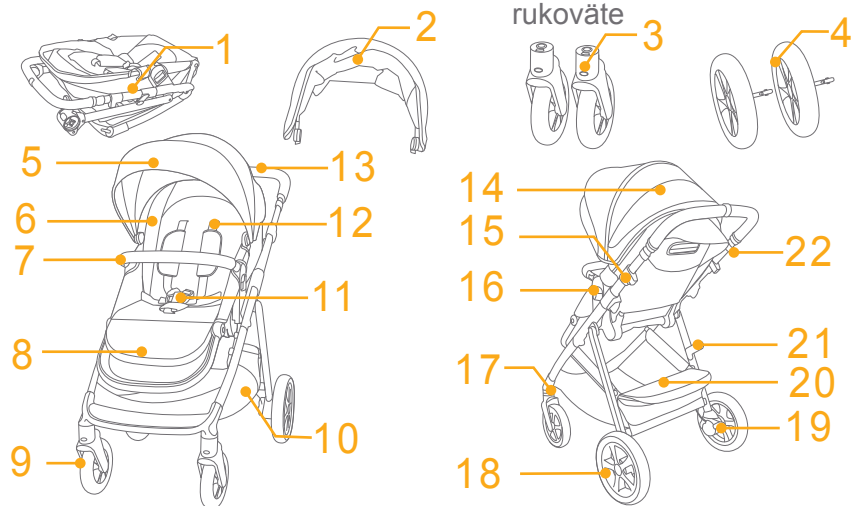
Núdzová situácia

V prípade mimoriadnej udalosti alebo nehody je najdôležitejšie, aby bolo o vaše dieťa ihneď postarané v rámci prvej pomoci a lekárskeho ošetrovania.

Zoznam jednotlivých častí

Pred zostavením skontrolujte, či máte všetky časti. Ak chýba ktorákoľvek časť, obráťte sa na miestneho predajcu. Na zostavenie nie sú potrebné žiadne nástroje.

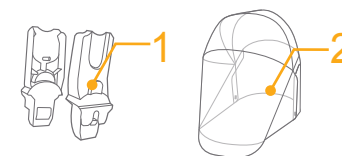
- | | | | |
|----|-------------------|----|---------------------------------|
| 1 | Rám kočíka | 13 | Rukoväť |
| 2 | Textilná strieška | 14 | Otvor textilnej striešky |
| 3 | Predné koleso | 15 | Skladacie tlačidlo |
| 4 | Zadné koleso | 16 | Uvoľňovacie tlačidlo sedačky |
| 5 | Textilná strieška | 17 | Zámok otáčania |
| 6 | Čalúnenie sedačky | 18 | Zadné koleso |
| 7 | Držadlo | 19 | Brzdová páčka |
| 8 | Lýtková opierka | 20 | Odkladacie vrecko |
| 9 | Predné koleso | 21 | Západka úložného priestoru |
| 10 | Úložný košík | 22 | Tlačidlo na nastavenie rukoväte |
| 11 | Spona | | |
| 12 | Ramenné popruhy | | |



Príslušenstvo

(nemusí byť zahrnuté)

- 1 Adaptér (na niektorých modeloch)
- 2 Kryt proti dažďu (na niektorých modeloch)



Príslušenstvo sa môže predávať samostatne alebo nemusí byť k dispozícii v závislosti od oblasti.

VÝSTRAHA

- ! Vždy používajte zadržiavací systém. Bezpečnostné pásy a zadržiavacie systémy sa musia používať správne.
- ! Pred použitím skontrolujte, či sú zapojené všetky zaistovacie zariadenia.
- ! Nenechávajte dieťa hrať sa s týmto výrobkom.
- ! Pred použitím skontrolujte, či sú teleso kočíka alebo jednotka sedačky, alebo upevňovacie prvky autosedačky správne zaistené.
- ! Montáž musia vykonať dospelé osoby.
- ! Tento výrobok je vhodný pre deti od narodenia do 22 kg alebo 4 rokov, podľa toho, čo nastane skôr.
- ! Aby ste predišli nebezpečným a nestabilným podmienkam, do úložného košíka neumiestňujte veci s hmotnosťou viac ako 4,5kg.
- ! Nikdy nenechajte dieťa bez dozoru. Vždy, keď je dieťa v kočíku, majte naň dobrý výhľad.
- ! Kočík používajte naraz len pre jedno dieťa. Nikdy nepokladajte na rukoväť ani textilnú striešku peňaženky, nákupné tašky, balíky alebo prvky príslušenstva.
- ! Príslušenstvo, ktoré nie je schválené výrobcom, sa nesmie používať. Musia sa používať len náhradné diely dodávané alebo odporúčané výrobcom.
- ! Preťaženie, nesprávne zloženie alebo používanie komponentov iných výrobcov môže spôsobiť, že sa kočík poškodí, zlomí alebo že nebude bezpečný. Pozorne si prečítajte návod na použitie.
- ! Pred používaním tohto výrobku si prečítajte všetky pokyny, ktoré sú v príručke uvedené. Tento návod na použitie uložte pre budúce použitie. Nedodržanie týchto výstrah a pokynov môže viesť k vážnemu poraneniu alebo smrti.
- ! Aby nedošlo k vážnemu zraneniu v dôsledku vypadnutia či vyklíznutia, vždy používajte bezpečnostný pás.
- ! Pri nastavovaní kočíka sa uistite, že je telo dieťaťa mimo pohyblivých častí.

- ! Skôr než necháte dieťa priblížiť sa ku kočíku, uistite sa, že je kočík úplne rozložený alebo zložený.
- ! Ak sa nepoužijú popruhy, dieťa môže vkĺznuť do otvorov pre nohy a uškrtiť sa.
- ! Nikdy nepoužívajte kočík na schodoch ani eskalátoroch.
- ! Udržiavajte mimo objektov s vysokou teplotou, tekutín a elektroniky.
- ! Nikdy nedovoľte, aby dieťa stálo na kočíku alebo v ňom sedelo hlavou smerujúcou k prednej časti kočíka.
- ! Nikdy nenechávajte kočík na cestách, svahoch alebo v nebezpečných oblastiach.
- ! Aby sa zabránilo uškrteniu, okolo krku dieťaťa NEUMIESTŇUJTE predmety so šnúrkami, šnúrky nenechajte visieť z tohto výrobku ani ich neuväzujte k hračkám.
- ! Akékoľvek zaťaženie pôsobiace na rukoväť a/alebo zadnú stranu operadla a/alebo na boky kočíka ovplyvní stabilitu kočíka.
- ! NEZDVÍHAJTE kočík, keď je v ňom dieťa.
- ! NEPOUŽÍVAJTE úložný košík ako nosič na dieťa.
- ! Aby ste predišli prevráteniu, nikdy nedovoľte, aby dieťa liezlo na kočík. Pri vkladaní dieťaťa do kočíka a vyberaní z neho ho vždy zdvihnite.
- ! Aby nedošlo k zachyteniu prstov, pri skladaní a rozkladaní kočíka buďte opatrní.
- ! Aby ste sa vyhli poraneniu, uistite sa, že je dieťa pri rozkladaní a skladaní tohto výrobku v bezpečnej vzdialenosti.
- ! Aby ste zaistili bezpečnosť dieťaťa, pred používaním kočíka skontrolujte, či sú všetky diely riadne zostavené a dotiahnuté.
- ! Aby sa zabránilo uškrteniu, uistite sa, že je dieťa mimo plátennej striešky.
- ! Pri parkovaní kočíka vždy zatiahnite parkovaciu brzdu.
- ! Prestaňte používať kočík, ak je poškodený alebo porušený.

- ! Kočík sa môže používať len pri rýchlosti chôdze. Tento výrobok nie je určený na používanie pri behaní.
- ! Aby ste predišli uduseniu, pred použitím tohto výrobku odstráňte plastové vrečko a obalové materiály. Plastové vrečko a obalové materiály sa potom musia uchovávať mimo dosahu detí.
- ! Tento výrobok nie je vhodný na behanie alebo korčuľovanie.
- ! Kočík je navrhnutý na používanie od narodenia a pre novo narodené deti sa odporúča používanie úplne sklopenej polohy.
- ! Pri vkladaní a vyberaní detí sa musí aktivovať parkovacie zariadenie.
- ! Pre dojčenské detské autosedačky používané v spojení s rámom platí, že tento kočík nenahrádza postieľku ani posteľ. Ak vaše dieťa potrebuje spať, malo by sa umiestniť do vhodného telesa kočíka, postieľky alebo postele.
- ! Prenosná postieľka sa nesmie používať, keď bude dieťa schopné samo sedieť, prevrátiť sa a samo sa vytlačiť na ruky a kolená. Maximálna hmotnosť dieťaťa: 9 kg.
- ! NEPOUŽÍVAJTE ani nepridávajte žiadny iný matrac ako ten, ktorý sa dodáva s prenosnou postieľkou.
- ! Na rukoväť, operadlo sedadla ani boky kočíka nepripevňujte žiadne predmety. Akékoľvek dodatočné zaťaženie ovplyvní stabilitu kočíka a môže spôsobiť prevrátenie kočíka.
- ! Nesmie sa pridávať žiadny ďalší matrac, pokiaľ to neodporúča výrobca.
- ! Neskladajte rám, keď sedačka smeruje tvárou dozadu.

Zostavenie kočíka

(Pozrite si obrázky na strane 1 - 12)

Pred zostavením a používaním tohto výrobku si prečítajte všetky pokyny, ktoré sú v tejto príručke uvedené.

Rozloženie kočíka

pozrite si obrázky 1 - 3

Oddeľte západku úložného priestoru od držiaka úložného priestoru 1 a potom zdvihnite rukoväť 2, zvuk „cvaknutia“ znamená, že je kočík úplne rozložený.

! Zatlačte nožnú opierku nadol a znova ju nastavte. 3 - 1

! Pripnite gombík pod lýtkovou opierkou. 3 - 2

! Pred pokračovaním v používaní skontrolujte, či sú západky na kočíku úplne zaistené.

Zostavenie a odpojenie predného kolesa

pozrite si obrázky 4 - 5

Zostavenie a odpojenie zadného kolesa

pozrite si obrázky 6 - 8

Zostavenie plátennej striešky

pozrite si obrázky 9 - 10

Zostavenie a odpojenie držadla

pozrite si obrázky 11 - 12

Úplne zostavený kočík je zobrazený na obrázku 13

Prevádzka kočíka

Nastavenie operadla

pozrite si obrázky 14 - 15

Operadlo má 5 uhly sklonu.

Sklonenie operadla

Ak chcete skloniť operadlo, stlačte rukoväť sklonu na zadnej časti sedadla a potiahnite operadlo nadol. 14

Zvýšenie operadla

Ak chcete operadlo zvýšiť, zatlačte nahor. 15

! Skontrolujte, či je sklon nastavený správne pre používanie.

! Maximálne zaťaženie odkladacieho vrečka na zadnej strane operadla je 0,45 kg.

Použitie spony

pozrite si obrázky 16 - 17

Rozopnutie spony

Stlačením stredného tlačidla rozopnete sponu. 16

Zaistenie spony

Zarovnajete sponu bedrového pásu s ramennou sponou 17 - 1 a zacvaknite do strednej spony. 17 - 2 Zvuk

„cvaknutia“ znamená, že je spona úplne zaistená. 17 - 3

! Aby ste predišli vážnemu poraneniu v dôsledku pádu alebo vykĺznutia, vždy zaistite dieťa pomocou popruhov.

! Skontrolujte, či je dieťa pohodlne zaistené. Medzera medzi dieťaťom a ramennými popruhmi je široká asi na hrúbku jednej ruky.

! Neprekrižte ramenné pásy. Spôsobí to tlak na krk dieťaťa.

Použitie ramenných a bedrových popruhov

pozrite si obrázky 18 - 21

! Aby bolo vaše dieťa chránené pred vypadnutím, po umiestnení dieťaťa do sedadla skontrolujte, či sú ramenné a bedrové popruhy v správnej výške a či majú správnu dĺžku.

18 - 1 Kotva ramenného popruhu A

18 - 2 Kotva ramenného popruhu B

18 - 3 Posuvný nastavovací prvok

Pri väčšom dieťati použijete kotvu ramenného popruhu A a najvyššie umiestnené ramenné otvory. Pri menšom dieťati použijete kotvu ramenného popruhu B a najnižšie ramenné otvory.

! Polohu kotvy ramenného popruhu je možné nastaviť z horného otvoru, ktorý sa uzatvára pomocou upínačov alebo pod vreckom. 18 - 1

Ak chcete upraviť polohu kotvy ramenného popruhu, otočte kotvu tak, aby bola v rovine so stranou smerujúcou dopredu. Prevlečte ju cez otvor ramenného popruhu zozadu dopredu. 18 Znova ju prevlečte cez otvor, ktorý je najbližšie k výške ramena dieťaťa. 20

Na zmenu dĺžky popruhov použijete posuvný nastavovací prvok. 21 - 1

Stlačte tlačidlo 21 - 2 a zároveň potiahnite bedrové popruhy na správnu dĺžku. 21 - 3

Nastavenie lýtkovej opierky

pozrite si obrázky 22 - 23

Lýtková opierka má 2 polohy.

Ak chcete lýtkovú opierku zvýšiť, zatlačte ju dohora. 22 Zvuk „cvaknutia“ znamená, že je lýtková opierka úplne zaistená.

Ak chcete lýtkovú opierku znížiť, stlačte nastavovacie tlačidlá na oboch stranách lýtkovej opierky 23 - 1, a otočte lýtkovú opierku smerom nadol. 23 - 2

Použitie predného zámku otáčania

pozrite si obrázok 24

Zaistený alebo odistený stav predného kolesa, ako na obrázku 24.

Tip Na nerovných povrchoch sa odporúča použitie zámkov otáčania.

Použitie brzdy

pozrite si obrázky 25 - 26

Stúpením na brzdovú páčku v smere nadol zablokuje kolesá. 25

Ak chcete kolesá uvoľniť, zdvihnite brzdovú páčku dohora. 26

Tip Vždy, keď sa kočík nepohybuje, zatiahnite brzdovú páčku.

Použitie plátennej striešky

pozrite si obrázky 27 - 28

Plátennú striešku možno roztriahnuť alebo zložiť, potiahnite ju dopredu alebo dozadu.

Plátennú striešku možno úplne rozložiť, aby čo najviac chránila dieťa pred slnkom, stačí rozopnúť zips 27 a potom vytiahnuť plátennú striešku smerom dopredu.

V plátennej strieške je priezor, cez ktorý môžete vidieť na dieťa. 28

Nastavenie rukoväte

pozrite si obrázok 29

Rukoväť má 3 polohy.

Nastavenie výšky sedačky

pozrite si obrázky 30 - 31

Sedačka má 3 polohy.

Potiahnutím sedačky zvýšite jej výšku. 30

Stlačte nastavovacie tlačidlá výšky sedačky a potiahnite nahor, potom zatlačte nadol, ak chcete výšku sedačky znížiť. 31

Zmena orientácie sedačky

pozrite si obrázky 32 - 33

Orientáciu sedačky možno zmeniť, čo umožní, že matka s dieťaťom budú tvárou v tvár.

Stlačte uvoľňovacie tlačidlá sedačky a pritom nadvihnite sedačku. Otočte sedačku do opačného smeru a potom vložte sedačku do držiakov sedačky.

Oba držiaky sedačky musia byť vodorovne, ako je zobrazené na 32, ak nastanú situácie zobrazené na 34 a 35, stlačte nastavovacie tlačidlá výšky sedačky a potiahnite nahor, potom zatlačte nadol na zníženie výšky sedačky, aby ste sa uistili, že sú oba držiaky sedačky vyrovnané. 36

Použitie úložného košíka

pozrite si obrázok 39

Aby ste predišli nebezpečným a nestabilným podmienkam, neumiestňujte do úložného košíka a úložného vrečka viac ako 4,5 kg.

Zloženie kočíka

pozrite si obrázky 40 - 43

! Pred zložením kočíka zložte plátennú striešku.

Stlačte skladacie tlačidlo a potiahnite 40 dohora, potom otočte rukoväť nadol, 41 skladacia západka sa dokáže zaistiť automaticky. 42

! Ak je sedačka v dolnej polohe, môže sa počas skladania kočíka zasunúť nadol a zaistiť tak automatické zaistenie západky.

! Neskladajte rám, keď sedačka smeruje tvárou dozadu. 43

! Ak je zámok otáčania predného kolesa zaistený, neskladajte rám.

! Kočík so sedačkou smerujúcou tvárou dopredu môže stáť, keď je rukoväť v najvyššej polohe.

Použitie príslušenstva

Príslušenstvo sa môže predávať samostatne alebo nemusí byť k dispozícii v závislosti od oblasti.

Použitie krytu proti dažďu

pozrite si obrázok 44

Ak chcete zostaviť kryt proti dažďu, umiestnite ho nad sedačku.

! Pri používaní krytu proti dažďu vždy skontrolujte vetranie.

! Keď sa nepoužíva, pred zložením skontrolujte, či je kryt proti dažďu vyčistený a vysušený.

! Neskladajte kočík po namontovaní krytu proti dažďu.

! V horúcom počasí nedávajte svoje dieťa do kočíka s namontovaným krytom proti dažďu.

Použitie s dojčenskou detskou autosedačkou

pozrite si obrázky 45 - 46

Pri použití s dojčenskou detskou autosedačkou i-Snug 2, i-Gemm 3, i-Level Recline, i-Jemini a Gemm si pozrite nasledujúce pokyny.

! Zvuk „cvaknutia“ znamená, že je adaptér úplne zaistený.

! Uhol dojčenskej detskej autosedačky možno nastaviť pomocou našich nastaviteľných adaptérov. 47

! Adaptér má 3 polohy. Nepoužívajte výrobok, ak je hlava dieťaťa po pripnutí dojčenskej detskej autosedačky nižšie ako nohy.

! Pri akýchkoľvek problémoch s používaním dojčenskej detskej autosedačky si pozrite jej návod na použitie.

! Neskladajte kočík so stále pripnutou dojčenskou detskou autosedačkou.

Použitie s prenosnou postieľkou Joie Ramble, Ramble XL

pozrite si obrázky 56 - 58

Pri použití s prenosnou postieľkou Joie ramble a ramble xl si pozrite nasledujúce pokyny.

- ! Pri akýchkoľvek problémoch s používaním prenosnej postieľky si pozrite jej návod na použitie.
- ! Nepoužívajte výrobok, ak je hlava dieťaťa po pripnutí prenosnej postieľky nižšie ako nohy.
- ! Pri používaní prenosnej postieľky vždy používajte matrac.
- ! Pri pripájaní prenosnej postieľky neskladajte kočík.

Použitie s prenosnou postieľkou Joie Calmi

pozrite si obrázky 59 - 57

Pri použití s prenosnou postieľkou Joie Calmi si pozrite nasledujúce pokyny.

- ! Zvuk „cvaknutia“ znamená, že je adaptér úplne zaistený.
- ! Pri používaní prenosnej postieľky vždy používajte matrac.
- ! Pred inštaláciou prenosnej postieľky skontrolujte, či je sieťka na spodku prenosnej postieľky správne pripnutá.
- ! Pri akýchkoľvek problémoch s používaním prenosnej postieľky si pozrite jej návod na použitie.
- ! Neskladajte kočík so stále pripnutou prenosnou postieľkou.

Odpojenie a zostavenie mäkkých textílií

pozrite si obrázky 59 - 60

1. Odmontovanie držadla je zobrazené ako 62
2. Rozopnite sponu, ktorá je na spodnej časti sedačky. 63

Ak chcete znova zostaviť mäkké textílie, postupujte podľa vyššie uvedených krokov v opačnom poradí 63 - 63

Čistenie a údržba

pozrite si obrázok 64

- ! Na čistenie rámu kočíka používajte len domáce mydlo a teplú vodu. Žiadne bielidlo ani čistiaci prostriedok. Pokyny na čistenie textilných častí kočíka nájdete na štítku s návodom na ošetrovanie.
- ! Odnímateľné mäkké textílie možno prať v práčke. Nepoužívajte bielidlo. Neskrúčajte kryt sedačky ani vnútorné čalúnenie veľkou silou, aby ste ich vysušili. Mohlo by to na poťahu sedačky a čalúnení zanechať zvrásnenie.
- ! Občas skontrolujte, či na kočíku nie sú povolené skrútky, opotrebované súčasti, roztrhnutý alebo rozpáraný materiál. Tieto súčasti vymeňte alebo opravte. Pravidelne utierajte plastové časti dočista mäkkou navlhčenou handričkou. Vždy osušte kovové časti, aby sa zabránilo tvorbe hrdze, ak sa kočík dostal do styku s vodou.
- ! Nadmerné vystavenie slnečnému žiareniu alebo teplu môže spôsobiť vyblednutie alebo deformáciu častí.
- ! Ak je kočík vlhký, roztiahnite plátennú striešku a nechajte ho pred uskladnením dôkladne vysušiť.
- ! Ak kolesá pískajú, použite jemný olej (napr. silikónový sprej, antikoročný olej alebo olej do šijacieho stroja). Je dôležité, aby sa olej dostal do zostavy osky a kolesa. 64
- ! Pri používaní kočíka na pláži alebo v iných piesočnatých/prášnych prostrediach ho po použití úplne vyčistite, aby ste odstránili piesok a soľ z mechanizmov a zostáv kolies.

TR Joie™'ye Hoş Geldiniz

Joie ailesinin bir parçası olduğunuz için tebrikler! Çocuğunuz ile birlikte yapacağınız seyahatinizin bir parçası olmak bizi fazlasıyla heyecanlandırıyor. Joie Alore ile seyahat ederken, EN 1888-2:2018+A1:2022 Avrupa güvenlik standartlarına göre onaylanmış, yüksek kaliteli, tam sertifikalı bir bebek arabası kullanırsınız. Bu ürün, doğumdan 22 kg'a veya 4 yaşına kadar olan çocuklar için uygundur (hangisi önce gelirse). Lütfen bu kılavuzu dikkatlice okuyun ve çocuğunuz için rahat bir sürüş ve en iyi korumayı sağladığınızdan emin olmak için her adımı izleyin.

ÖNEMLİ - DİKKATLE OKUYUN VE İLERİDE BAŞVURMAK ÜZERE SAKLAYIN.

Kılavuzları indirmek ve daha heyecan verici Joie ürünlerine bakmak için joiebaby.com adresini ziyaret edin!

Garanti bilgileri için lütfen joiebaby.com adresindeki web sitemizi ziyaret edin.

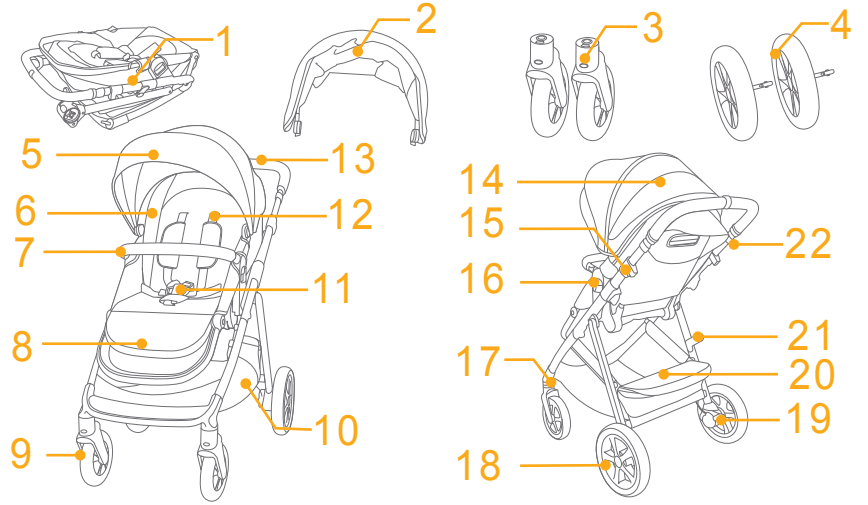
Acil durum

Acil durum veya kaza hâlinde, ilk yardım ve tıbbi tedavi yoluyla çocuğunuzla hemen ilgilenilmesini sağlamak çok önemlidir.

Parça Listesi

Montajdan önce tüm parçaların mevcut olduğundan emin olun. Herhangi bir parça eksikse, lütfen yerel bayi ile iletişime geçin. Montaj için bir alet gerekmez.

- | | | | |
|----|-------------------------|----|-----------------------|
| 1 | Bebek Arabası Çerçevesi | 13 | Tutma Kolu |
| 2 | Tente | 14 | Tente Penceresi |
| 3 | Ön Teker | 15 | Katlama Düğmesi |
| 4 | Arka Teker | 16 | Koltuk Açma Düğmesi |
| 5 | Tente | 17 | Döndürme Kilidi |
| 6 | Koltuk Minderi | 18 | Arka Teker |
| 7 | Kolçak | 19 | Fren Kolu |
| 8 | Baldır Desteği | 20 | Saklama Çantası |
| 9 | Ön Teker | 21 | Depolama Mandalı |
| 10 | Depolama Sepeti | 22 | Kulp Ayarlama Düğmesi |
| 11 | Toka | | |
| 12 | Omuz Kemeri | | |

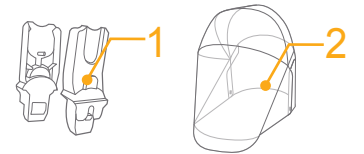


Aksesuarlar

(Dâhil olmayabilir)

- 1 Adaptör (bazı modellerde)
- 2 Yağmurluk (bazı modellerde)

Aksesuarlar, bölgeye bağlı olarak ayrı satılabilir veya mevcut olmayabilir.



UYARI

- ! Daima emniyet kemeri sistemini kullanın. Güvenlik kemerleri ve sabitleme sistemleri doğru kullanılmalıdır.
- ! Kullanmadan önce tüm kilitleme cihazlarının takıldığından emin olun.
- ! Çocuğun bu ürünle oynamasına izin vermeyin.
- ! Kullanmadan önce bebek arabası gövdesi, koltuk birimi veya araç koltuğu bağlantı mekanizmalarının doğru biçimde takıldığını kontrol edin.
- ! Yetişkin montajı gereklidir.
- ! Bu ürün, doğumdan 22kg'a veya 4 yaşına kadar olan çocuklar için uygundur (hangisi önce gelirse).
- ! Tehlikeli ve dengesiz bir durumu önlemek için, saklama sepetine 4,5 kg'dan fazla ağırlık koymayın.
- ! Çocuğu asla gözetimsiz bırakmayın. Bebek arabasındayken, çocuğu hep göz önünde tutun.
- ! Bebek arabasını aynı anda yalnızca tek bir çocukla kullanın. Kulpa veya tenteye asla cüzdan, alışveriş torbası, koli ya da aksesuar koymayın.
- ! Üretici tarafından onaylanmamış aksesuarlar kullanılmamalıdır. Yalnızca üretici tarafından sağlanan veya önerilen yedek parçalar kullanılmalıdır.
- ! Aşırı yüklenme, hatalı katlama veya başka üreticilerin bileşen parçalarını kullanma bebek arabasının hasar görmesine, kırılmasına ya da güvensiz bir duruma gelmesine neden olabilir. Lütfen kullanım kılavuzunu dikkatlice okuyun.
- ! Lütfen ürünü kullanmadan önce kılavuzdaki tüm talimatları okuyun. İleride kullanmak için lütfen talimat kılavuzunu saklayın. Bu uyarılara ve talimatlara uyulmaması ciddi yaralanmalara veya ölüme neden olabilir.
- ! Düşme veya kayma nedeniyle oluşacak ciddi yaralanmaları önlemek için daima emniyet kemeri kullanın.
- ! Puseti ayarlarken çocuğunuzun vücudunun hareketli parçalardan uzak olduğundan emin olun.

- ! Çocuğunuzun yaklaşmasına izin vermeden önce bebek arabasının tamamen açıldığından veya katlandığından emin olun.
- ! Kayış kullanılmazsa, çocuk bacak açıklıklarına kayabilir ve boğulabilir.
- ! Bebek arabasını sabit ya da yürüyen merdivenlerde asla kullanmayın.
- ! Yüksek sıcaklıktaki nesnelere, sıvılardan ve elektronik cihazlardan uzak tutun.
- ! Çocuğunuzun bebek arabasında ayağa kalkmasına veya kafası arabanın önüne gelecek şekilde oturmasına asla izin vermeyin.
- ! Bebek arabasını yollara, eğimli yerlere veya tehlikeli alanlara asla bırakmayın.
- ! Boğulmayı önlemek için, çocuğunuzun boynunun etrafında ipli nesnelere BULUNDURMAYIN, üründen ipler ASMAYIN veya oyuncaklara ip BAĞLAMAYIN.
- ! Kulpa, arkalığın sırt kısmına ve/veya bebek arabasının yan taraflarına takılan yükler bebek arabasının dengesini etkileyecektir.
- ! Çocuk içindeyken bebek arabasını yukarı KALDIRMAYIN.
- ! Depolama sepetini çocuk taşıma aracı olarak KULLANMAYIN.
- ! Devrilmeyi önlemek için çocuğun bebek arabasına tırmanmasına asla izin vermeyin. Çocuğu bebek arabasına oturturken ve arabadan çıkarırken mutlaka havaya kaldırın.
- ! Parmak sıkışmasını önlemek için, bebek arabasını katlarken ve açarken dikkatli olun.
- ! Yaralanmayı önlemek için, bu ürünü açarken ve katlarken çocuğun uzakta olduğundan emin olun.
- ! Çocuğunuzun güvenliğini sağlamak için, bebek arabasını kullanmadan önce lütfen tüm parçaların doğru bir şekilde monte edildiğinden ve sabitlendiğinden emin olun.
- ! Boğulmayı önlemek için, çocuğunuzun gölgelikten uzak olduğundan emin olun.
- ! Bebek arabasını park ederken daima frenleri devreye alın.
- ! Hasar görmüş veya kırılmışsa bebek arabasını kullanmayı bırakın.

- ! Bebek arabası yalnızca yürüme hızında kullanılmalıdır. Bu ürün koşu sırasında kullanıma uygun değildir.
- ! Boğulmayı önlemek için, bu ürünü kullanmadan önce plastik torbayı ve ambalaj malzemelerini çıkarın. Daha sonra plastik torba ve ambalaj malzemeleri bebeklerden ve çocuklardan uzak tutulmalıdır.
- ! Bu ürün koşma veya paten yapma için uygun değildir.
- ! Doğumdan itibaren kullanılmak üzere tasarlanmış bebek arabasında, yeni doğan bebekler için en yatık pozisyonun kullanılması önerilir.
- ! Çocukları yerleştirirken ve çıkarırken park cihazı devrede olmalıdır.
- ! Bu bebek arabası, bir kızak düzeneğiyle birlikte kullanılan çocuk koltukları için bir karyola veya yatak yerine geçmez. Çocuğunuzun uyuması gerektiğinde, uygun bir çocuk arabası gövdesine, karyolaya veya yatağa yerleştirilmelidir.
- ! Çocuk tek başına oturabilir, yuvarlanabilir ve elleri ve dizleri üzerinde kendini yukarı itebilir hale geldiği anda taşıma karyolası kullanılmamalıdır. En fazla ağırlık: 9 kg.
- ! Taşıma karyolası ile birlikte verilen yatak dışında bir yatak KULLANMAYIN veya eklemeyin.
- ! Kulba, oturak arkalığına veya arabanın yanlarına eşyalarınızı takmayın. Ek yükler, arabanın dengesini etkileyecek ve devrilmesine neden olabilecektir.
- ! Üretici tarafından önerilmedikçe ilave şilte eklenmemelidir.
- ! Lütfen koltuk arkaya bakarken çerçeveyi katlamayın.

Bebek Arabası Montajı

(Lütfen sayfa 1-12'deki şekillere bakın)

Lütfen bu ürünü monte etmeden ya da kullanmadan önce bu kılavuzdaki tüm talimatları okuyun.

Bebek Arabasını Açma

bkz. resim 1 - 3

Depolama mandalını depolama bağlantısından ayırın 1 ve kulpu yukarı doğru kaldırın 2; tıklama sesi bebek arabasının tamamen açıldığını gösterir.

! Ayaklığa basın ve sıfırlayın. 3 - 1

! Lütfen baldır desteğinin altındaki düğmeyi takın. 3 - 2

! Kullanmaya devam etmeden önce, bebek arabasının mandalla tamamen kilitlendiğini kontrol edin.

Ön Teker Monte Etme ve Çıkarma

bkz. resim 4 - 5

Arka Teker Monte Etme ve Çıkarma

bkz. resim 6 - 8

Tenteyi Monte Etme

bkz. resim 9 - 10

Kolçağı Monte Etme ve Çıkarma

bkz. resim 11 - 12

Tamamen monte edilen bebek arabası şu numaralı şekilde gösterilmektedir: 13

Bebek Arabası İşlemi

Arkalık Ayarı

bkz. resim 14 - 15

Arkalık için 5 tane yatırma açısı vardır.

Arkalığı Yatırma

Arkalığı yatırmak için, koltuğun arkasındaki yatırma kulpunu sıkıp arkalığı aşağı çekin. 14

Arkalığı Yükseltme

Arkalığı yükseltmek için yukarı itin. 15

! Yatırma açısının kullanıma uygun ayarlandığından emin olun.

! Arkalığın arkasındaki maksimum eşya saklama cebi 0,45 kg'dır.

Toka Kullanımı

bkz. resim 16 - 17

Tokayı Serbest Bırakın

Tokayı serbest bırakmak için ortadaki düğmeye basın. 16

Tokayı Kilitleyin

Bel kemeri tokasını omuz tokası 17 - 1 ile eşleştirin ve ortadaki tokaya oturtun. 17 - 2 "Tıklama" sesi, tokanın tamamen kilitlendiği anlamına gelir. 17 - 3

! Düşme veya kayma sonucu oluşacak ciddi yaralanmaları önlemek için, çocuğunuzun her zaman kayışla sabitlenmesini sağlayın.

! Çocuğunuzun güvenli biçimde sabitlendiğinden emin olun. Çocuk ve omuz kayışı arasındaki mesafe yaklaşık bir el kalınlığında olmalıdır.

! Omuz kemerlerini çaprazlamayın. Bu, çocuğun boynuna basınç uygular.

Omuz ve Bel Kayışlarının Kullanımı

bkz. resim 18 - 21

! Çocuğunuzun düşmesini önlemek için, çocuğunuz oturağa yerleştirildikten sonra omuz ve bel kayışlarının doğru yükseklikte ve uzunlukta olup olmadığını kontrol edin.

18 - 1 Omuz kemeri sabitleyici A

18 - 2 Omuz kemeri sabitleyici B

18 - 3 Kayar ayarlayıcı

Daha büyük çocuklar için omuz kemeri sabitleyici A'yı ve en yüksek omuz yuvalarını kullanın. Daha küçük çocuk için, omuz kayışı tutturma noktası B ve en düşük omuz yuvalarını kullanın.

! Omuz kemeri bağlantısının konumu, tutturucuların kapattığı açıklıktan veya cep altından ayarlanabilir. 19 - 1

Omuz kayışı tutturma noktasının konumunu ayarlamak için, tutturma noktasını öne bakan tarafla aynı düzeyde olacak şekilde döndürün. Omuz kayışı yuvası boyunca arkadan öne doğru geçirin. 19 Çocuğunuzun omuz yüksekliğine en yakın olan delikten tekrar geçirin. 20

Kayış uzunluğunu değiştirmek için kayar ayarlayıcıyı kullanın. 21 - 1

21 - 2 Düğmeye basarken, bel kayışını uygun uzunluğa çekin. 21 - 3

Baldır Desteği Ayarı

bkz. resim 22 - 23

Baldır desteği 2 konuma sahiptir.

Baldır desteğini yükseltmek için yukarı doğru itin. 22 "Tıklama" sesi, baldır desteğinin tamamen kilitlendiği anlamına gelir.

Baldır desteğini alçaltmak için, baldır desteğinin her iki tarafındaki ayar düğmelerine basın 23 - 1 ve baldır desteğini aşağı doğru döndürün. 23 - 2

Ön Döndürme Kilitinin Kullanımı

bkz. resim 24

Ön tekerlek kilitleme veya kilitsiz durum: 24.

İpucu Düz olmayan yüzeylerde döner kilitlerin kullanılması tavsiye edilir.

Fren Kullanımı

bkz. resim 25 - 26

Tekerlekleri kilitlemek için fren kolunu aşağı doğru bastırın. 25

Tekerlekleri serbest bırakmak için fren kolunu yukarı kaldırmanız yeterlidir. 26

İpucu Bebek arabası kullanılmıyorken her zaman park frenine alın.

Tente Kullanımı

bkz. resim 27 - 28

Tente açılabilir veya katlanabilir; öne ya da arkaya doğru çekin.

Tente, çocuğunuzu güneşten en iyi şekilde korumak için tamamen açılabilir; fermuarı açık, 27 tenteyi öne doğru çekmeniz yeterlidir.

Tentede, bebeğinizi görebilmenizi sağlayan bir pencere vardır. 28

Kulpu Ayarlama

bkz. resim 29

Kolda 3 konum vardır.

Oturak Yüksekliğini Ayarlama

bkz. resim 30 - 31

Koltukta 3 konum vardır.

Koltuk yüksekliğini artırmak için koltuğu yukarı çekin. 30

Koltuk yüksekliği ayarlama düğmelerine basın ve yukarı çekin, ardından koltuk yüksekliğini azaltmak için aşağı doğru bastırın. 31

Oturak Değişimi

bkz. resim 32 - 33

Koltuk, anne ve çocuğun birbiriyle yüz yüze gelmesini sağlayacak şekilde değiştirilebilir.

Koltuk serbest bırakma düğmelerini sıkarken koltuğu kaldırın. Koltuğu ters yöne çevirin ve ardından koltuk bağlantılarına yerleştirin.

Her iki koltuk bağlantısının da 33 ile gösterildiği gibi terazide olması gerekir; 34 & 35 ile gösterilen durum olursa, lütfen koltuk yüksekliği ayarlama düğmesine basın ve yukarı çekin; ardından her iki koltuk bağlantısının da düz olmasını sağlamak için koltuk yüksekliğini azaltmak üzere aşağı doğru itin. 36

Saklama Sepetinin Kullanımı

bkz. resim 39

Tehlikeli, dengesiz bir durumu önlemek için saklama sepetine ve saklama çantasına 4,5 kg'dan fazla ağırlık yerleştirmeyin.

Bebek Arabasını Katlama

bkz. resim 40 - 43

! Lütfen bebek arabasından önce tenteyi katlayın.

Katlama düğmesine basıp 40 ögesini yukarı çekin, ardından kolu aşağı çevirin; 41 katlama mandalı otomatik olarak kilitlenebilir. 42

! Koltuk altçatılmış konumdaysa, katlama mandalının otomatik olarak kilitlenmesi için bebek arabasını katlarken aşağı kayabilir.

! Lütfen koltuk arkaya bakarken çerçeveyi katlamayın. 43

! Ön tekerlek dönme kilidi kilitliken lütfen çerçeveyi katlamayın.

! Koltukta öne bakan bebek arabası, kol en yüksek konumdayken ayakta durabilir.

Aksesuarların Kullanımı

Aksesuarlar, bölgeye bağlı olarak ayrı satılabilir veya mevcut olmayabilir.

Yağmurluk Kullanımı

bkz. resim 44

Yağmurluğu kurmak için, koltuğun üzerine yerleştirin.

! Yağmurluğu kullanırken lütfen her zaman havalandırmasını kontrol edin.

! Kullanılmıyorken, lütfen katlamadan önce yağmurluğun temizlenmiş ve kurumuş olduğunu kontrol edin.

! Yağmurluğu taktıktan sonra bebek arabasını katlamayın.

! Sıcak havalarda, çocuğunuzu bebek arabasına yağmurluk takılı olarak oturtmayın.

Çocuk Koltuğuyla Kullanım

bkz. resim 45 - 46

Joie bebek koltuğu i-Snug 2 & i-Gemm 3 & i-Level Recline & i-Jemini & Gemm ile kullanırken lütfen aşağıdaki talimatlara bakın.

! "Tıklama" sesi adaptörün tamamen kilitlendiği anlamına gelir.

! Bebek taşıyıcı açısı ayarlanabilir adaptörlerimizle ayarlanabilir. 47

! Adaptörde 3 konum vardır. Lütfen ürünü, bebek çocuk koltuğuna takıldıktan sonra bebeğin başı ayaklardan aşağıda ise kullanmayın.

! Çocuk koltuğunu kullanma konusunda herhangi bir sorun yaşarsanız, lütfen ilgili talimat kılavuzlarına başvurun.

! Bebek arabasını, çocuk koltuğu takılı durumdayken katlamayın.

Joie Ramble, Ramble XL Taşıma Karyolası ile kullanın

bkz. resim 50 - 53

Joie taşıma karyolası ramble ve ramble xi ürünlerini kullanırken lütfen aşağıdaki talimatlara başvurun.

! Karyolayı kullanma konusunda herhangi bir sorun yaşarsanız, lütfen ilgili talimat kılavuzlarına başvurun.

! Lütfen ürünü, taşıma karyolasına takıldıktan sonra bebeğin başı ayaklardan aşağıda ise kullanmayın.

! Karyolayı kullanırken her zaman şilteyi de kullanın.

! Portatif karyolayı takarken lütfen bebek arabasını katlamayın.

Joie Calmi Taşıma Karyolası ile birlikte kullanın

bkz. resim 54 - 57

Joie Calmi portatif karyolayı kullanırken lütfen aşağıdaki talimatlara başvurun.

! "Tıklama" sesi adaptörün tamamen kilitlendiği anlamına gelir.

! Karyolayı kullanırken her zaman şilteyi de kullanın.

! Lütfen puseti takmadan önce pusetin altındaki ağıın düzgün bir şekilde sabitlendiğini kontrol edin.

! Karyolayı kullanma konusunda herhangi bir sorun yaşarsanız, lütfen ilgili talimat kılavuzlarına başvurun.

! Karyolayı, çocuk koltuğu takılı durumdayken katlamayın.

Tekstil Malzemeleri Ayırma ve Birleştirme

bkz. resim 58 - 63

1. Kolçağı gösterildiği gibi çıkarın 62

2. Koltuğun altındaki tokayı açın. 59

Koltuğun tekstil malzemelerini geri takmak için yukarıdaki adımları ters yönde izleyin 63 - 63

Temizlik ve Bakım

bkz. resim 64

! Bebek arabası çerçevesini temizlemek için yalnızca ev sabunu ve ılık su kullanın. Çamaşır suyu ya da deterjan kullanmayın. Bebek arabasının kumaş parçalarının temizliği konusunda yönergeler için lütfen bakım etiketine başvurun.

! Çıkarılabilir tekstil malzemeleri çamaşır makinesinde yıkanabilir. Çamaşır suyu kullanmayın. Koltuk kaplamasını ve iç pedi kurutmak amacıyla güç uygulayarak sıkmayın. Bu, koltuk kaplamasında ve iç altlıkta kırışıklıklara neden olabilir.

! Bebek arabanızı gevşeyen vidalar, eskimiş parçalar, yırtık malzeme ya da sökülmüş dikiş olup olmadığını tespit etmek için ara sıra kontrol edin. Parçaları gerektiğinde değiştirin veya onarın. Plastik parçaları düzenli olarak yumuşak, nemli bir bezle silerek temizleyin. Bebek arabası suyla temas ederse, pas oluşumunu önlemek için metal parçaları mutlaka kurulaştırın.

! Güneşe ya da ısıya uzun süre maruz kalması halinde parçaların rengi solabilir ya da biçimsel bozulmalar görülebilir.

! Bebek arabası ıslanırsa, tenteyi açın ve saklamadan önce iyice kurumasını bekleyin.

! Tekerler gıcırdaarsa, hafif bir yağ (örneğin Silikon Sprey, paslanma önleyici yağ ya da dikiş makinesi yağı) kullanın. Yağı, aks ve teker donanımına uygulamak önemlidir. 64

! Bebek arabanızı plajda veya başka kumlu/tozlu ortamlarda kullanırken, mekanizmalar ve teker donanımlarındaki kumu ve tuzu gidermek için, bebek arabanızı kullanım sonrasında tamamen temizleyin.

RU Вас приветствует компания Joie™!

Поздравляем — вы стали частью семьи Joie! Мы рады отправиться в путь вместе с вами и вашим малышом. Joie Alore — это высококачественная коляска, сертифицированная по европейскому стандарту безопасности EN 1888-2:2018+A1:2022. Данное изделие предназначено для детей весом до 22 кг или возрастом до 4 лет (в зависимости от того, что наступит раньше). Внимательно прочтите настоящее руководство и выполняйте все рекомендации, чтобы обеспечить удобство в поездке и максимальную защиту ребенка. **ВАЖНО! ВНИМАТЕЛЬНО ПРОЧТИТЕ И СОХРАНИТЕ НА БУДУЩЕЕ.**

Скачать руководства и ознакомиться с другой замечательной продукцией Joie можно на веб-сайте joiebaby.com.

Сведения о гарантии опубликованы на веб-сайте joiebaby.com

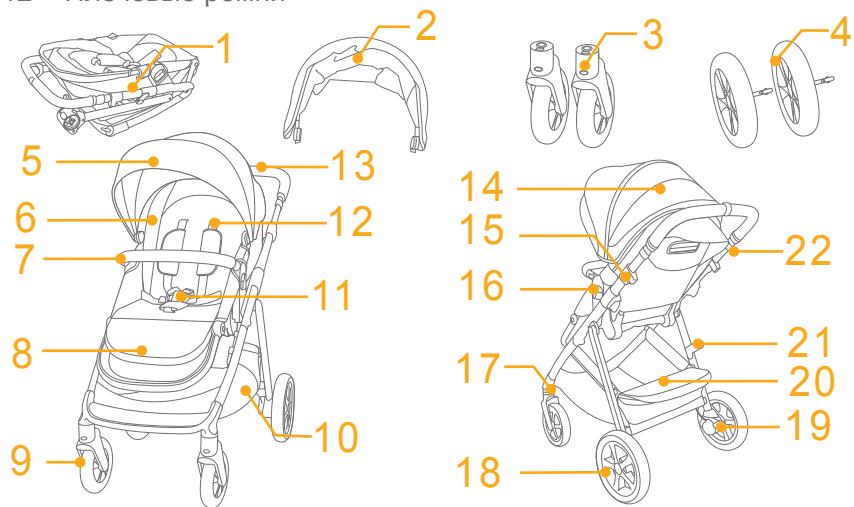
Чрезвычайные ситуации

В случае чрезвычайного происшествия или несчастного случая следует незамедлительно оказать ребенку первую помощь и обратиться к врачу.

Спецификация деталей

Перед сборкой данного изделия проверьте наличие всех деталей. В случае отсутствия любых деталей обратитесь в магазин, где было приобретено данное изделие. Для сборки не требуются инструменты.

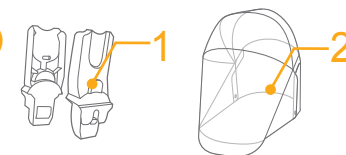
- | | | | |
|----|-------------------|----|-----------------------------|
| 1 | Рама коляски | 13 | Рукоятка |
| 2 | Козырек | 14 | Окно в козырьке |
| 3 | Передние колеса | 15 | Кнопка складывания |
| 4 | Задние колеса | 16 | Кнопка фиксатора сиденья |
| 5 | Козырек | 17 | Фиксатор переднего колеса |
| 6 | Подкладка сиденья | 18 | Задние колеса |
| 7 | Поручень | 19 | Педаль тормоза |
| 8 | Опора для ног | 20 | Сумка для багажа |
| 9 | Передние колеса | 21 | Фиксатор для хранения |
| 10 | Вещевая корзина | 22 | Кнопка регулировки рукоятки |
| 11 | Пряжка | | |
| 12 | Плечевые ремни | | |



Принадлежности

(могут не входить в комплект поставки)

- 1 Адаптер (в некоторых моделях)
- 2 Дождевик (в некоторых моделях)



Принадлежности могут продаваться отдельно или не предлагаться в некоторых регионах.

ВНИМАНИЕ

- ! Всегда используйте удерживающую систему. Необходимо надлежащим образом использовать ремни безопасности и удерживающую систему.
- ! Прежде чем использовать коляску, убедитесь, что задействованы все фиксаторы.
- ! Не позволяйте ребенку играть с данным изделием.
- ! Перед использованием убедитесь, что все крепежные устройства на люльке с жестким дном, сиденье или автокресло задействованы надлежащим образом.
- ! Сборку должны осуществлять взрослые.
- ! Данное изделие предназначено для детей весом до 22 кг или возрастом до 4 лет (в зависимости от того, что наступит раньше).
- ! Во избежание опасного опрокидывания коляски не помещайте в вещевую корзину предметы весом более 4,5 кг.
- ! Категорически запрещается оставлять ребенка без присмотра. Ребенок, находящийся в коляске, должен быть всегда под присмотром.
- ! В коляске допускается перевозить только одного ребенка. Запрещается размещать на рукоятке и козырьке кошельки, сумки, свертки и принадлежности.
- ! Не разрешается использовать принадлежности, не одобренные производителем. Допускается использовать только запасные части, поставляемые или рекомендованные производителем манежа.
- ! Превышение допустимой нагрузки, неправильное складывание и использование деталей других производителей может привести к повреждению, поломке и снижению безопасности коляски. Пожалуйста, внимательно прочтите настоящее руководство по эксплуатации.
- ! Перед использованием данного изделия прочтите все инструкции в настоящем руководстве. Сохраните настоящее руководство по эксплуатации для использования в будущем. Несоблюдение этих предупреждений и инструкций может привести к причинению серьезного вреда здоровью ребенка или летальному исходу.

- ! Во избежание причинения серьезного вреда здоровью ребенка в результате падения или выскальзывания из коляски обязательно используйте ремни безопасности.
- ! Во время регулировки коляски тело ребенка не должно соприкасаться с какими бы то ни было подвижными деталями.
- ! Не разрешайте ребенку подходить к коляске, если она не полностью разложена или сложена.
- ! Если ребенок не пристегнут ремнем, он может выскользнуть через нижнюю часть коляски, что может привести к удушению.
- ! Категорически запрещается использовать коляску на лестницах и эскалаторах.
- ! Коляску необходимо держать вдали от горячих предметов, жидкостей и электронных приборов.
- ! Никогда не разрешайте ребенку стоять на коляске, а также сидеть на коляске лицом к рукоятке.
- ! Категорически запрещается помещать коляску на дороги, откосы и в другие опасные места.
- ! Во избежание удушения ЗАПРЕЩАЕТСЯ помещать предметы с лентами и веревками вокруг шеи ребенка, свешивать ленты и веревки с коляски, а также прикреплять веревки и ленты к игрушкам.
- ! Прикрепление любого груза к рукоятке, к спинке или боковым частям коляски приведет к нарушению устойчивости коляски.
- ! ЗАПРЕЩАЕТСЯ поднимать коляску с находящимся в ней ребенком.
- ! ЗАПРЕЩАЕТСЯ помещать ребенка в вещевую корзину.
- ! Во избежание опрокидывания не позволяйте ребенку карабкаться по коляске. Усаживать и вынимать ребенка из коляски должен взрослый.
- ! Во избежание зажатия соблюдайте осторожность при складывании и раскладывании коляски.
- ! Во избежание причинения вреда здоровью ребенка не складывайте и не раскладывайте коляску вблизи ребенка.
- ! С целью обеспечения безопасности ребенка перед использованием коляски необходимо убедиться, что все детали собраны и закреплены надлежащим образом.
- ! Во избежание удушения удостоверьтесь, что козырек не касается ребенка.
- ! Остановив коляску, обязательно задействуйте тормоза.

- ! В случае повреждения или поломки коляски ее необходимо прекратить использовать.
- ! Коляску допускается катить только со скоростью пешей ходьбы. Коляска не предназначена для использования во время бега.
- ! Во избежание удушья перед использованием данного изделия снимите с него пластиковый пакет и упаковочные материалы. Храните пластиковый пакет и упаковочные материалы в недоступном для детей месте.
- ! Данное изделие не предназначено для бега или катания на роликах.
- ! Для новорожденных спинку коляски рекомендуется опустить в самое низкое положение.
- ! Перед тем как помещать ребенка в коляску или извлекать его из коляски, необходимо задействовать тормоза.
- ! Детское удерживающее устройство, установленное на раму данной коляски, не заменяет люльку или кроватку для новорожденных. Чтобы уложить ребенка спать, его необходимо перенести в подходящую лежачую коляску, люльку или кровать.
- ! Переносная люлька не предназначена для детей, умеющих самостоятельно сидеть, переворачиваться и вставать на четвереньки. Максимальный вес ребенка: 9 кг.
- ! ЗАПРЕЩАЕТСЯ использовать и укладывать в люльку матрасы помимо того, который поставляется в комплекте с ней.
- ! Запрещается прикреплять различные предметы к рукоятке, спинке сиденья и боковым частям коляски. От дополнительной нагрузки коляска потеряет устойчивость и может перевернуться.
- ! Использование дополнительных матрасов недопустимо, если это не рекомендовано производителем.
- ! Не складывайте раму, когда сиденье направлено лицом против хода движения.

Сборка коляски

(См. рисунки на стр. 1-12)

Перед сборкой и использованием данного изделия прочтите все инструкции в настоящем руководстве.

Раскладывание коляски

См. рисунки 1 - 3

Отсоедините фиксатор для хранения от защелки для хранения 1, затем поднимите рукоятку вверх 2. При полном раскладывании коляски слышится характерный "щелчок".

! Прижмите подножку книзу и верните ее в исходное положение. 3 - 1

! Застегните пуговицу под опорой для ног. 3 - 2

! Перед использованием удостоверьтесь, что коляска полностью зафиксирована в разложенном состоянии.

Сборка и снятие передних колес

См. рисунки 4 - 5

Сборка и снятие задних колес

См. рисунки 6 - 8

Сборка козырька

См. рисунки 9 - 10

Сборка и установка поручня

См. рисунки 11 - 12

Полностью собранная коляска показана на рисунке 13

Использование коляски

Регулировка положения спинки

См. рисунки 14 - 15

Спинку можно установить под 5 углами наклона.

Опускание спинки

Чтобы откинуть спинку, сожмите рукоятку регулировки наклона на задней стороне спинки и потяните спинку вниз. 14

Поднятие спинки

Чтобы поднять спинку, переместите ее вверх. 15

! Установите подходящий для использования наклон спинки.

! Максимальная нагрузка на карман для вещей, расположенный с обратной стороны спинки, составляет 0,45 кг.

Использование пряжки

См. рисунки 16 - 17

Расстегивание пряжки

Чтобы расстегнуть пряжку, нажмите центральную кнопку. 16

Застегивание пряжки

Совместите пряжку на поясном ремне с пряжкой на плечевом ремне 17 - 1 и защелкните их в центральной пряжке. 17 - 2 Когда пряжка полностью застегнется, вы услышите щелчок. 17 - 3

! Во избежание причинения тяжкого вреда здоровью ребенка в результате падения или выскальзывания из коляски обязательно пристегивайте ребенка ремнем.

! Удостоверьтесь, что ремни плотно прилегают к телу ребенка. Расстояние между телом ребенка и плечевыми ремнями не должно превышать толщину ладони.

! Не перекрещивайте плечевые ремни. Это приведет к сдавливанию шеи ребенка.

Использование плечевых и поясных ремней

См. рисунки 18 - 21

! Во избежание выпадения ребенка из коляски, усадив его в коляску, удостоверьтесь, что плечевые и поясные ремни установлены на правильную высоту и имеют подходящую длину.

18 - 1 Фиксатор плечевого ремня А

18 - 2 Фиксатор плечевого ремня В

18 - 3 Регулятор длины ремня

Для ребенка большого роста используйте фиксаторы плечевых ремней А и верхние прорези для ремней. Для ребенка небольшого роста используйте фиксаторы плечевых ремней В и нижние прорези для ремней.

! Положение фиксатора плечевого ремня можно отрегулировать через верхнее отверстие, закрытое креплениями, или нижний карман. 18 - 1

Для регулировки положения фиксатора плечевого ремня разверните его плашмя и торцом вперед. Проденьте фиксатор через прорезь для плечевого ремня сзади вперед. 18 Снова проденьте его через прорезь, расположенную ближе всего к плечам ребенка. 20

С помощью регулятора длины отрегулируйте длину ремней. 21 - 1

Нажмите на кнопку 21 - 2 и одновременно вытяните поясной ремень на требуемую длину. 21 - 3

Регулировка положения опоры для ног

См. рисунки 22 - 23

Опору для ног можно установить в 2 положения.

Чтобы поднять опору для ног, потяните ее вверх. 22 Когда опора зафиксирована должным образом, прозвучит щелчок.

Чтобы опустить опору для ног, нажмите на регулировочные кнопки с обеих сторон опоры для ног 23 - 1 и опустите ее. 23 - 2

Использование фиксаторов передних колес

см. рисунок 24

Положение блокировки и снятия блокировки передних колес показано на рис. 24.

Совет Фиксаторы передних колес рекомендуется использовать на неровных поверхностях.

Использование тормоза

См. рисунки 25 - 26

Чтобы заблокировать колеса, опустите ногой педаль тормоза вниз. 25

Чтобы разблокировать колеса, поднимите педаль тормоза вверх. 26

Совет Всегда задействуйте тормоз, если не перемещаете коляску.

Использование козырька

См. рисунки 27 - 28

Козырек можно разложить, сложить, переместит вперед и переместить назад.

Козырек можно разложить полностью, чтобы максимально защитить ребенка от солнца. Для этого расстегните молнию 27 и потяните козырек вперед.

На козырьке предусмотрено окно, через которое можно наблюдать за ребенком. 28

Регулировка положения рукоятки

см. рисунок 29

Рукоятка имеет 3 положения.

Регулировка высоты сиденья

См. рисунки 30 - 31

Сиденье имеет 3 положения.

Потяните сиденье вверх, чтобы увеличить его высоту. 30

Нажмите на кнопки регулировки высоты сиденья и потяните сиденье вверх, а затем прижмите вниз, чтобы уменьшить высоту сиденья. 31

Поворот сиденья

См. рисунки 32 - 33

Сиденье можно перевернуть так, чтобы ребенок находился лицом к матери.

Сожмите кнопки фиксации сиденья и поднимите сиденье. Поверните сиденье в обратном направлении и установите его на крепления сиденья.

Оба крепления сиденья должны располагаться ровно, как показано на рис. 32. В случаях, показанных на рис. 32 и 33, нажмите на кнопку регулировки высоты сиденья, поднимите его вверх и прижмите вниз, чтобы уменьшить высоту сиденья и выровнять оба крепления сиденья. 33

Использование вещевой корзины

см. рисунок 34

Во избежание опасного опрокидывания коляски не помещайте в вещевую корзину и сумку для багажа предметы весом более 4,5 кг.

Складывание коляски

См. рисунки 40 - 43

! Перед складыванием коляски необходимо сложить козырек.

Нажмите на кнопку складывания и потяните, 40 а затем поверните рукоятку вниз. 41 Фиксатор сложения закроется автоматически. 42

! Если сиденье находится в нижнем положении, его можно сдвинуть вниз при складывании коляски, чтобы фиксатор сложения закрылся автоматически.

! Не складывайте раму, когда сиденье направлено лицом против хода движения. 43

! Не складывайте раму, если заблокирован фиксатор передних колес.

! Коляска с сиденьем, направленным лицом по ходу движения, может стоять вертикально, если рукоятка находится в верхнем положении.

Использование принадлежностей

Принадлежности могут продаваться отдельно или не предлагаться в некоторых регионах.

Использование дождевика

см. рисунок 44

Для сборки дождевика накройте им сиденье.

! При использовании дождевика обязательно проверяйте его вентиляцию.

! Неиспользуемый дождевик необходимо очистить, высушить и сложить.

! Не складывайте коляску, если на нее установлен дождевик.

! Не помещайте ребенка в коляску с дождевиком в жаркую погоду.

Использование коляски с удерживающей системой для новорожденных

См. рисунки 45 - 46

При использовании коляски Joie с удерживающей системой i-Snug 2, i-Gemm 3, i-Level Recline, i-Jemini или Gemm соблюдайте приведенные ниже инструкции.

! При полной фиксации адаптера слышится характерный "щелчок".

! Угол наклона автолюльки настраивается с помощью регулируемых адаптеров. 47

! Адаптер имеет 3 положения. Не используйте данное изделие, если после установки автолюльки ноги ребенка расположены выше его головы.

! В случае возникновения любых проблем при использовании автолюльки, ознакомьтесь с руководством по эксплуатации этой системы.

! Не складывайте коляску с установленной удерживающей системой для новорожденных.

Использование с переносной люлькой Joie Ramble или Ramble XL

См. рисунки 50 - 53

При использовании коляски с переносной люлькой Joie ramble, ramble xl следуйте приведенным ниже инструкциям.

- ! В случае возникновения любых проблем при использовании переносной люльки ознакомьтесь с руководством по эксплуатации этой системы.
- ! Не используйте данное изделие, если после установки переносной люльки ноги ребенка расположены выше его головы.
- ! Переносную люльку можно использовать только с матрасом.
- ! Не складывайте коляску с установленной переносной люлькой.

Использование с переносной люлькой Joie Calmi

См. рисунки 54 - 57

При использовании коляски с переносной люлькой Joie Calmi следуйте приведенным ниже инструкциям.

- ! При полной фиксации адаптера слышится характерный "щелчок".
- ! Переносную люльку можно использовать только с матрасом.
- ! Перед установкой переносной люльки проверяйте, чтобы сетка в нижней ее части была правильно закреплена.
- ! В случае возникновения любых проблем при использовании переносной люльки ознакомьтесь с руководством по эксплуатации этой системы.
- ! Не складывайте коляску с установленной переносной люлькой.

Снятие и надевание деталей из ткани

См. рисунки 58 - 63

1. Снимите поручень, см. рисунок 12
2. Расстегните пряжку на нижней части сиденья. 58

Чтобы надеть детали из ткани, выполните приведенные выше шаги в обратном порядке 63 - 58

Очистка и уход за изделием

см. рисунок 64

- ! Для очистки рамы коляски разрешается использовать только хозяйственное мыло и теплую воду. Запрещается использование отбеливателей и моющих средств. Инструкции по очистке тканевых деталей коляски приведены на памятке по уходу.
- ! Съемную тканевую обивку допускается стирать в стиральной машине. Не отбеливать! Не скручивайте чехол и внутреннюю обивку сиденья при сушке. От этого на чехле и внутренней обивке сиденья могут появиться складки.
- ! Время от времени проверяйте коляску на наличие плохо закрепленных винтов, признаков износа деталей, повреждений материала и швов. Заменяйте или ремонтируйте детали по необходимости. Периодически протирайте пластиковые детали мягкой влажной тканью. В случае контакта коляски с водой обязательно вытирайте металлические детали насухо во избежание появления ржавчины.
- ! Чрезмерное нахождение на солнце или при повышенной температуре приводит к выцветанию или деформации деталей.
- ! Если коляска намокла, откройте козырек и хорошо просушите перед тем, как поместить коляску на хранение.
- ! Если скрипят колеса, смажьте их легким маслом (например силиконовой смазкой-аэрозолем, антикоррозийным маслом или маслом для швейных машин). Важно, чтобы при этом масло попало на ось и систему колеса. 64
- ! При использовании коляски на пляже или в местах с высоким содержанием пыли/ песка полностью очищайте ее механизмы и колеса от песка и соли.

DA Velkommen til Joie™

Tillykke og velkommen til Joie-familien! Vi er så glade for at være en del af din rejse med den lille. Når du er på tur med Joie Alore, bruger du en certificeret klapvogn af høj kvalitet som er godkendt efter de europæiske sikkerhedsstandarder EN 1888-2:2018+A1:2022. Dette produkt er beregnet til børn op til 22 kg eller 4 år, hvad enten der kommer først. Læs denne vejledning omhyggeligt og følg alle trinene så du sikrer, at dit barn har det behageligt og er ordentligt beskyttet under turen.

VIGTIGT - LÆS OMHYGGELIGT OG BEHOLD TIL SENERE REFERENCE.

Besøg os på joiebaby.com, hvor du kan downloade vejledninger og se flere spændende Joie-produkter!

Besøg vores websted på joiebaby.com for at få oplysninger om garanti

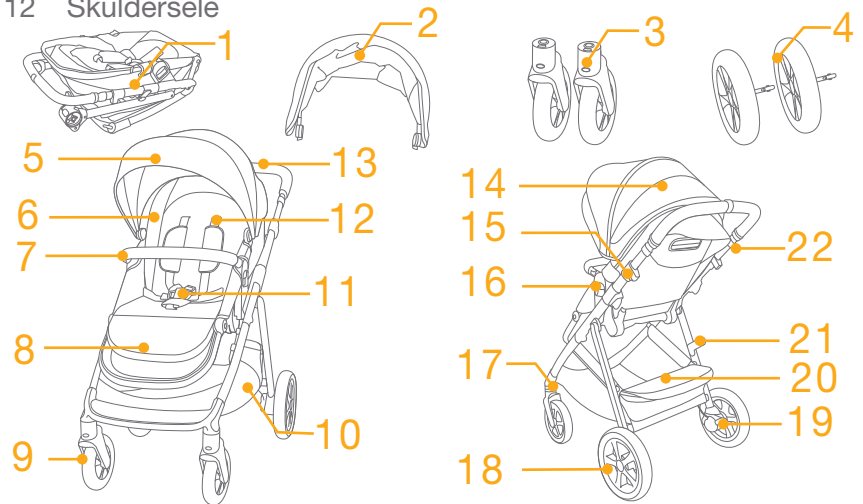
Nødsituation

I tilfælde af en nødsituation eller ulykke er det vigtigst, at dit barn straks får førstehjælp og lægebehandling.

Liste over dele

Kontroller, at alle delene følger med, inden du begynder at samle produktet. Hvis der mangler nogen dele, bedes du venligst kontakte din lokale forhandler. Der skal ikke bruges værktøj til at samle produktet.

- | | | | |
|----|-----------------|----|-----------------------------|
| 1 | Klapvognsstel | 13 | Håndtag |
| 2 | Kaleche | 14 | Kalechevindue |
| 3 | Forhjul | 15 | Foldeknop |
| 4 | Baghjul | 16 | Knop til frigivelse af sæde |
| 5 | Kaleche | 17 | Hjulslås |
| 6 | Sædepude | 18 | Baghjul |
| 7 | Armbøjle | 19 | Bremsegreb |
| 8 | Lægstøtte | 20 | Opbevaringspose |
| 9 | Forhjul | 21 | Opbevaringslås |
| 10 | Opbevaringskurv | 22 | Justeringsknop til håndtag |
| 11 | Spænde | | |
| 12 | Skuldersele | | |

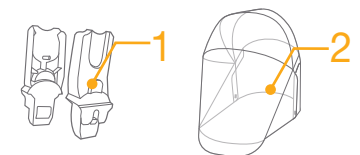


Tilbehør

(medfølger muligvis ikke)

- 1 Adapter (på bestemte modeller)
- 2 Regnslag (på bestemte modeller)

Tilbehør sælges muligvis separat og er muligvis ikke tilgængeligt i dit område.



ADVARSEL

- ! Brug altid fastspændingssystemet. Sikkerhedsseler og fastspændingssystemer skal bruges korrekt.
- ! Sørg for, at alle låsene er låst inden brug.
- ! Lad ikke barnet lege med dette produktet.
- ! Sørg altid for, at fastgørelsesanordningerne på barnevogne, sædeenheder og bilsæder er spændt ordentligt før brug.
- ! Kræver samling af en voksen.
- ! Dette produkt er beregnet til børn op til 22 kg eller 4 år, hvad enten der kommer først.
- ! For at forhindre en farlig, ustabil tilstand, må du ikke anbringe mere end 4,5 kg i opbevaringskurven.
- ! Efterlad aldrig barnet uden opsyn. Vær altid i stand til at holde øje med barnet i klapvognen.
- ! Brug kun klapvognen med ét barn ad gangen. Anbring aldrig punge, indkøbsposer, pakker eller tilbehør på håndtaget eller kalechen.
- ! Brug ikke tilbehør, der ikke er godkendt af producenten. Brug kun reservedele, som leveres eller er godkendt af fabrikanten.
- ! Overbelastning, forkert foldning eller brug af komponentdele fra andre producenter kan medføre, at klapvognen bliver beskadiget, går i stykker eller bliver usikker. Læs brugsanvisningen omhyggeligt.
- ! Læs alle instrukserne i brugsanvisningen, før du bruger produktet. Gem brugsanvisningen til senere brug. Manglende overholdelse af disse advarsler og instruktioner kan medføre alvorlige kvæstelser eller dødsfald.
- ! For at undgå, at barnet kommer til skade ved at falde eller glide ud, skal du altid bruge sikkerhedssele.
- ! Sørg for at dit barns krop går fri fra de bevægelige dele, når du justerer klapvognen.

- ! Vær sikker på klapvognen er helt åben eller sammenfoldet, før barnet kommer i nærheden af klapvognen.
- ! Barnet kan få benene ind i åbninger eller blive kvalt, hvis selen ikke anvendes.
- ! Brug aldrig klapvognen på trapper eller rulletrapper.
- ! Hold produktet væk fra varme genstande, væsker og elektronik.
- ! Lad aldrig barnet stå op eller sidde omvendt i klapvognen.
- ! Efterlad aldrig klapvognen på vejen, på skråninger eller andre farlige steder.
- ! For at undgå kvælning må du IKKE lægge noget rundt om barnets hals, ophænge snore fra dette produkt eller binde snore til legetøj.
- ! Enhver vægt, der anbringes på håndtaget, bag på ryglænet eller på siderne af klapvognen vil påvirke stabiliteten.
- ! Løft IKKE klapvognen, mens barnet sidder i den.
- ! Brug IKKE opbevaringskurven som barnelift.
- ! For at undgå at klapvognen vipper, må du aldrig lade barnet kravle op i den. Løft altid barnet ind og ud af klapvognen.
- ! For at undgå klemte fingre, skal du altid være forsigtig, når du falder klapvognen sammen eller ud.
- ! For at undgå skader, skal børn altid holdes væk fra produktet, når du folder det ud eller sammen.
- ! Af hensyn til barnets sikkerhed skal du altid sikre dig, at alle dele er samlet og monteret korrekt, før du bruger klapvognen.
- ! For at undgå strangulering skal du sørge for, at dit barn er fri af kalechen.
- ! Slå altid bremserne til, når du parkerer klapvognen.
- ! Stop med at bruge klapvognen, hvis den er beskadiget eller ødelagt.

- ! Klapvognen må kun bruges i gå-hastighed. Dette produkt er ikke beregnet til brug under løb.
- ! For at undgå kvælning skal plastikposen og alle emballagematerialer fjernes, inden produktet tages i brug. Plastikposen og emballagen skal derefter holdes væk fra babyer og børn.
- ! Dette produkt er ikke beregnet til brug under løb eller skating.
- ! Det anbefales at bruge en særligt egnet skråstol i tilbagelænet tilstand til babyer.
- ! Parkeringsbremsen skal slås til, når du skal anbringe barnet eller tage det op.
- ! Denne klapvogn kan ikke, sammen med autostolen, erstatte en barneseng eller en seng til spædbørn. Hvis barnet skal sove, bør du anbringe det i en passende barnevognskasse, barneseng eller seng.
- ! Barnesengen må ikke bruges, så snart barnet er i stand til at sidde selv, rulle rundt og trykke sig selv op på hænder og knæ. Barnets maksimale vægt: 9 kg.
- ! Der må IKKE bruges eller lægges en anden madras i bæresengen end den, der følger med.
- ! Læg ikke genstande på håndtaget, ryglænet eller på klapvognens sides. Enhver ekstra belastning vil påvirke klapvognens stabilitet og kunne medføre, at klapvognen vipper.
- ! Der må ikke tilføjes nogen ekstra madrasser, medmindre fabrikanten anbefaler det.
- ! Klapvognen må ikke foldes sammen, når sædet vender bagud.

Sådan samles klapvognen

(Se venligst billederne på 1-12)

Læs alle instruktionerne i denne vejledning, inden du samler og tager produktet i brug.

Åbn klapvognen

se billederne 1 - 3

Adskil opbevaringslåse fra opbevaringsmonteringen 1, og løft derefter håndtaget opad 2, hvorefter der lyder et klik, hvilket betyder at klapvognen er helt åbn.

! Tryk fodstøtten ned og nulstil den. 3 - 1

! Knap knappen under lægstøtten. 3 - 2

! Kontroller at klapvognen er foldet helt ud, før du går videre.

Montering og afmontering af forhjulet

se billederne 4 - 5

Montering og afmontering af baghjulet

se billederne 6 - 8

Montering af kaleche

se billederne 9 - 10

Monter og afmonter armstøtte

se billederne 11 - 12

Den færdigsamlede klapvogn er vist som 13

Sådan bruges klapvognen

Justering af ryglænet

se billederne 14 - 15

Ryglænet har 5 lænevinkler.

Læg ryglænet tilbage

For at sænke ryglænet, skal du trykke på håndtaget til at læne sædet tilbage bag på sædet, og ryglænet lægges tilbage. 14

Hæv ryglænet

Tryk opad, for at hæve ryglænet. 15

! Indstil ryglænet i en passende vinkel.

! Opbevaringslommen på bagsiden af ryglænet må højst holde 0,45 kg.

Brug af spændet

se billederne 16 - 17

Spænd spændet op

Tryk på midterknappen for at løsne spændet. 16

Lås spændet

Tilpas taljebæltespændet til skulderspændet 17 - 1, og klik det ind i midterspændet. 17 - 2 Et "Klik" betyder, at spændet er låst. 17 - 3

! For at undgå, at barnet kommer til skade ved at falde eller glide ud, skal du altid bruge selen til barnet.

! Sørg for at dit barn sidder godt fastspændt. Afstanden mellem barnet og skulderselerne skal være ca. som tykkelsen af en hånd.

! Kryds ikke skulderremmene. Dette vil medføre pres på barnets hals.

Brug af skulder- og taljeseler

se billederne 18 - 21

! Når barnet sidder i autostolen, skal du sørge for, at skulder- og taljeselerne er i den korrekte højde og længde, så barnet ikke kan falde ud.

18 - 1 Fastgørelsespunkt A til skulderselen

18 - 2 Fastgørelsespunkt B til skulderselen

18 - 3 Glidejustering

Større børn skal bruge fastgørelsespunkt A til skulderselen og det højeste skulderplacering. Mindre børn skal bruge fastgørelsespunkt B til skulderselen og lavere skulderplacering.

! Placeringen af spændet på skulderselen kan justeres over åbningen, der spændes af spænderne eller under lommen. 18 - 1

Hvis du vil justere placeringen af fastgørelsespunktet for skulderselen, skal du vende spændet, så det ligger plant fremad. Stik det igennem skulderselen bagfra. 19 Før den igennem det hul, der er tættest på barnets skulderhøjde. 20

Brug glidejusteringen til at ændre selens længde. 21 - 1

Tryk på knappen 21 - 2, mens taljeselen trækkes til den korrekte længde. 21 - 3

Justering af lægstøtten

se billederne 22 - 23

Lægstøtten har 2 indstillinger.

For at hæve lægstøtten skubbes den opad. 22 Der lyder et "klik", når den er låst på plads.

For støtte af læggen trykkes på justeringsknapperne på begge sider af lægstøtten 23 - 1, og drej lægstøtten nedad. 23 - 2

Brug af forhjulslåsen

Se billede 24

Forhjulet er låst eller låst op som vist i 24.

Tip Det anbefales at bruge hjullåsen på ujævne overflader.

Brug af bremsen

se billederne 25 - 26

Træd på bremsepedalen, for at låse hjulene. 25

For at låse hjulene op, skal du løfte bremsepedalen op. 26

Tip Lås altid hjulene, når du ikke kører med klapvognen.

Brug af kalechen

se billederne 27 - 28

Kalechen kan åbnes og foldes sammen, ved at trække den frem og tilbage.

Kalechen kan åbnes helt for at beskytte dit barn mod solen, bare åbn lynlåsen, 27 og træk kalechen fremad.

Der er et vindue på kalechen, hvorigennem du kan se din baby. 28

Justering af håndtaget

Se billede 29

Håndtaget har 3 positioner.

Justering af sædehøjde

Se billederne 30 - 31

Sædet har 3 positioner.

Træk sædet op for, at hæve sædehøjden. 30

Tryk på knapperne til justering af sædehøjde, og træk sædet op. Tryk sædet ned for, at sænke sædehøjden. 31

Skift af sæde

Se billederne 32 - 33

Sædet kan vendes om, så mor og barn kan være ansigt til ansigt.

Tryk på frigørelsesknapperne til sædet og løft sædet. Drej sædet i om, og sæt sædet i sædebeslagene.

Begge sædebeslag skal være plan, som vist i 33. Hvis situationerne, der er vist i 34 & 35 opstår, skal du trykke på knappen til justering af sædets højde. Træk sædet op og tryk det derefter ned for, at sænke sædehøjden, så du sikrer at begge sædebeslag er plan. 36

Brug af kurv

Se billede 38

For at forhindre en farlig, ustabil tilstand, må du ikke anbringe mere end 4,5 kg i opbevaringskurven og opbevaringslomme.

Sådan foldes klapvognen sammen

se billederne 40 - 43

! Kalechen skal foldes sammen, inden klapvognen foldes sammen.

Tryk på foldeknappen og træk op. 40 Drej derefter håndtaget nedad, 41 hvorefter foldelåsen automatisk låses. 42

! Hvis sædet er i den nederste position, kan det glide ned, når klapvognen foldes for at sikre, at foldelåsen låses automatisk.

! Klapvognen må ikke foldes sammen, når sædet vender bagud. 43

! Fold ikke stellet, når forhjulets drejelås er låst.

! Klapvognen med et fremadvendt sæde kan stå, når håndtaget er i den øverste position.

Brug af tilbehør

Tilbehør sælges muligvis separat og er muligvis ikke tilgængeligt i dit område.

Brug af regnslaget

Se billede 44

Regnslaget sættes på ved at trække det over sædet.

! Når regnslaget bruges, skal du altid sørge for at der er ventilation.

! Inden regnslaget pakkes sammen, skal du sørge for at det er blevet rengjort og er ordentligt tørt.

! Fold ikke klapvognen sammen, når regnslaget sidder på.

! Undgå, at barnet sidder i klapvognen med regnslaget på i varmt vejr.

Brug med babyautostol

se billederne 45 - 49

Hvis produktet bruges med Joie autostolen i-Snug 2, i-Gemm 3, i-Level Recline, i-Jemini eller Gemm, bedes du venligst følge følgende vejledninger.

! Der lyder et "klik", når adapteren er låst helt.

! Autostolens vinkel kan justeres med vores justerbare adaptere. 47

! Adapteren har 3 positioner. Brug ikke produktet, hvis babyens hoved er lavere end fødderne, når autostolen er sat på.

! Hvis du har spørgsmål om brug af autostolen, bedes du venligst se brugervejledningen til denne.

! Klapvognen må ikke foldes sammen, når autostolen stadig er i klapvognen.

Brug med bæresengen Joie Ramble og Ramble XL

se billederne  - 

Hvis dette produkt bruges med en Joie bæreseng ramble eller ramble xl, skal du se følgende vejledninger.

- ! Hvis du har spørgsmål om brug af bæreseng, bedes du venligst se brugervejledningen til denne.
- ! Brug ikke produktet, hvis babyens hoved er lavere end fødderne, når bæresengen er sat på.
- ! Brug altid madrassen når bæresengen anvendes.
- ! Fold venligst ikke klapvognen sammen, når du monterer bæresengen.

Brug med bæresengen Joie Calmi

se billederne  - 

Når denne bruges med en Joie Calmi bæresengen, skal du se følgende vejledninger.

- ! Der lyder et "klik", når adapteren er låst helt.
- ! Brug altid madrassen når bæresengen anvendes.
- ! Kontroller, at nettet sidder ordentligt fast på bunden af babyliften, før den sættes i.
- ! Hvis du har spørgsmål om brug af bæreseng, bedes du venligst se brugervejledningen til denne.
- ! Klapvognen må ikke foldes sammen, når babyliften stadig er i klapvognen.

Afmonter og samling af bløde varer

se billederne  - 


1. Fjern armstøtte vist som 

2. Åbn spændet i bunden af sædet. 

Følg nedenstående trin i omvendt rækkefølge, for at sætte de bløde dele på igen  - 

Rengøring og vedligeholdelse

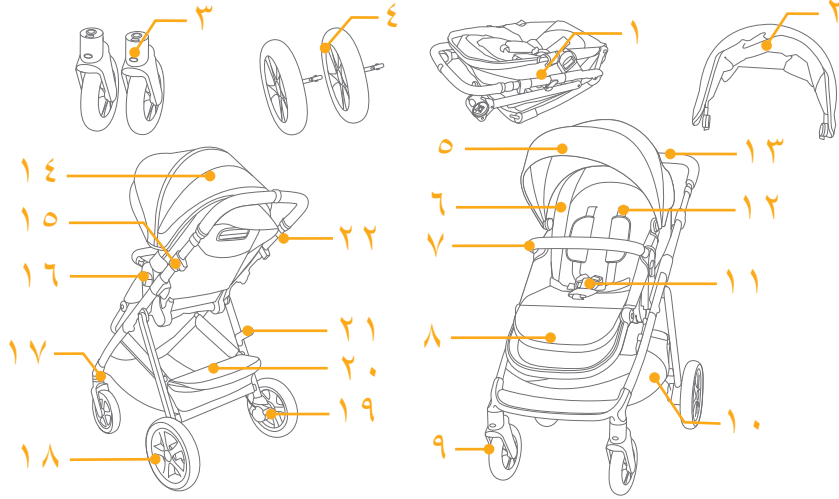
Se billede 

- ! Stellet må kun rengøres med almindeligt sæbevand. Det må ikke rengøres med blegemiddel eller rengøringsmidler. Se venligst rengøringsinstruktionerne på stofdelene på klapvognen.
- ! Aftagelige bløde varer kan vaskes med maskine. Den må ikke vaskes med blegemiddel. Undgå at vride sædebetræk og puder for at tørre med stor kraft. Det kan give delene folder.
- ! Kontroller regelmæssigt klapvognen for løse skruer, slidte dele, ødelagt stof eller syninger. Udskift eller reparer delene efter behov. Tør regelmæssigt plastikdelene af med en fugtig klud. Tør altid metaldelene af, så de ikke rustner, hvis klapvognen er kommet i kontakt med vand.
- ! Hvis klapvognen udsættes for sol eller varme i længere tid, kan nogle af delene blive slidt eller skæve.
- ! Hvis klapvognen bliver våd, skal du åbne kalechen, og lad den tørre grundigt inden den gemmes væk.
- ! Hvis hjulene piber, skal de smøres med en let olie (fx silikonespray, rustfrit olie eller symaskineolie). Det er vigtigt at få olien ind i akslen og hjulsamlingen. 
- ! Hvis klapstolen bruges på en strand eller andre sandede/støvede miljøer, skal den rengøres grundigt efter brug. Fjern alt sand og salt på de mekaniske dele og på hjulsamlingerne.

قائمة الأجزاء

تأكد من توفر جميع الأجزاء قبل التجميع. يرجى الاتصال بالموزع المحلي في حالة غياب أي جزء. لا داعٍ لاستخدام أية أدوات للتجميع.

المقبض	١٣	إطار عربة الأطفال	١
نافذة المظلة	١٤	المظلة	٢
زر الطي	١٥	العجلة الأمامية	٣
زر تحرير المقعد	١٦	العجلة الخلفية	٤
القفل الدوار	١٧	لمظلة	١٥
العجلة الخلفية	١٨	وسادة المقعد	٦
ذراع مكبح	١٩	مسند الذراعين	٧
حقيبة التخزين	٢٠	مسند الساقين	٨
مزلاج التخزين	٢١	العجلة الأمامية	٩
زر ضبط المقبض	٢٢	سلة التخزين	١٠
		إبزيم	١١
		حزام الكتف	١٢

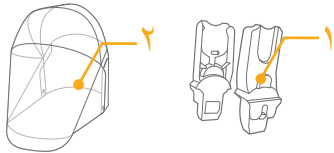


الطوارئ

في حالات الطوارئ أو الحوادث، يرجى العناية بالطفل عن طريق القيام بالإسعافات الأولية وتقديم العلاج الطبي فورًا.

الملحقات

(قد لا تكون مرفقة)



- ١ المهايئ (في طرز معينة)
 - ٢ الغطاء الواقي من المطر (في بعض الطرز)
- قد يتم بيع الملحقات فرديًا أو قد لا تكون متاحة وفقًا للمنطقة.

- ! تأكد من فتح العربة أو طيها بالكامل قبل السماح للطفل بالاقتراب منها.
- ! في حالة عدم استخدام الحزام قد ينزلق الطفل إلى فتحات الساق ومن ثم يتسبب ذلك في اختناقه.
- ! يُحظر استخدام عربة الأطفال على درج أو سلاسل كهربائية.
- ! احرص على إبعاد العربة عن مصادر الحرارة المرتفعة أو السوائل أو الأجهزة الإلكترونية.
- ! يُحظر وقوف الطفل على العربة أو جلوسه بداخلها عندما تكون رأسه متجه ناحية المقدمة.
- ! يُحظر وضع عربة الأطفال على الطرق أو المنحدرات أو المناطق الخطرة.
- ! لتفادي الاختناق، تجنب وضع أي أجسام مزودة بسلاسل حول رقبة الطفل أو قم بفصل السلاسل عن المنتج أو ربطها في الألعاب.
- ! لا تربط أشياء بالمقبض أو ظهر المقعد أو جوانب عربة الأطفال لأنها ستؤثر على ثبات العربة.
- ! تجنب رفع العربة إذا كان الطفل بداخلها.
- ! تجنب وضع الطفل داخل سلة التخزين.
- ! لتجنب ميل العربة، احرص على عدم تسلق الطفل لها. ارفع طفلك داخل العربة أو خارجها دائماً.
- ! لتجنب انحسار الأصابع، احرص على طي العربة أو بسطها بعناية.
- ! تأكد من إبعاد الطفل عند بسط العربة أو طيها لتجنب إلحاق أي ضرر به.
- ! لضمان سلامة طفلك، يُرجى التأكد من تركيب كل المكونات وإحكام ربطها جيداً قبل استخدام العربة.
- ! لتجنب اختناق طفلك، تأكد من إبعاده عن الغطاء.
- ! احرص على تأمين المكابح عند وقوف العربة.
- ! احرص على عدم استخدام العربة في حال تعرضها للتلف أو الكسر.

- ! احرص دائماً على استخدام نظام تقييد حركة الطفل. يجب استخدام أحزمة الأمان ونظام تقييد الحركة استخداماً صحيحاً.
- ! تأكد من تأمين كافة أجهزة الفقل قبل الاستخدام.
- ! لا تدع الطفل يعبت بهذا المنتج.
- ! تحقق من صحة تعشيق هيكل العربة أو وحدة المقعد أو أدوات تثبيت المقعد قبل الاستخدام.
- ! يجب التجميع بواسطة شخص بالغ.
- ! هذا المنتج مناسب للاستخدام مع أطفال حتى ٢٢ كجم أو ٤ سنوات، أيهما يأتي أولاً.
- ! لتفادي الحالات الخطرة أو غير المستقرة، لا تضع عناصر يزيد وزنها على ٤,٥ كجم في سلة التخزين.
- ! لا تترك الطفل أبداً دون مراقبة. وحرص دائماً على مراقبة الطفل أثناء تواجده في العربة.
- ! استخدم العربة لحمل طفل واحد فقط في كل مرة. ولا تضع أبداً حقائب يد أو حقائب تسوق أو طروداً أو إكسسوارات على المقبض أو المظلة.
- ! يجب عدم استخدام قطع الغيار غير المعتمدة من قبل الجهة المُصنِّعة. فيجب عدم استخدام إلا قطع الغيار المرفقة أو الموصى بها من قبل الجهة المُصنِّعة.
- ! قد يتسبب الحمل الزائد أو محاولة طي العربة بطريقة غير صحيحة أو استخدام قطع غيار من إنتاج جهات تصنيع أخرى في تلف العربة أو كسرها أو جعلها غير آمنة للاستخدام. ويرجى الاطلاع على دليل التعليمات بعناية.
- ! يُرجى قراءة كل التعليمات الواردة في هذا الدليل قبل استخدام المنتج. يُرجى الاحتفاظ بدليل التعليمات لاستخدامه مستقبلاً. وقد يؤدي عدم مراعاة هذه التحذيرات وإتباع التعليمات إلى وقوع إصابات بالغة أو الوفاة.
- ! احرص على استخدام حزام الأمان دائماً لتفادي وقوع الإصابات البالغة الناتجة عن الوقوع أو الانزلاق.
- ! تأكد من ابتعاد جسد طفلك عن الأجزاء المتحركة عند ضبط العربة.

! يجب استخدام العربة بسرعة المشي فقط. هذا المنتج غير مُصمم للاستخدام أثناء الركض.

! لتفادي الاختناق، احرص على إزالة الكيس البلاستيكي ومواد التعبئة قبل استخدام المنتج. والاحتفاظ بهما بعيدا عن متناول الأطفال والرضع.

! هذا المنتج غير مناسب للاستخدام أثناء الجري أو التزلج.

! صُممت عربة الأطفال لاستخدامها منذ لحظة الولادة، ويفضل استخدام وضعية الانحناء المُصممة خصيصًا للأطفال حديثي الولادة.

! يجب تأمين المكابح عند وضع الطفل في العربة وإخراجه منها.

! بالنسبة إلى أنظمة تقييد حركة الطفل الرضيع المستخدمة مع هيكل أساسي، لا تحل هذه العربة محل سرير طفل محمول أو ثابت. وفي حالة رغبة الطفل في النوم، يجب وضعه في مهد مناسب بعربة الطفل أو سرير طفل محمول أو سرير ثابت.

! لا تُستخدم حاملة الطفل بمجرد أن يصبح الطفل قادرًا على الجلوس بمفرده والتدحرج والنش على يديه وركبتيه. الحد الأقصى لوزن الطفل: ٩ كجم

! تجنب وضع أي مفارش أو أحشية غير المثبتة بحقيبة حمل الطفل.

! لا تربط أشياء بالمقبض أو ظهر المقعد أو جوانب عربة الأطفال. فإن أي حمل إضافي يؤثر على ثبات عربة الأطفال وقد يتسبب في انقلابها.

! لا يُسمح بإضافة مراتب أخرى ما لم يوصى المصنّع بذلك.

! يرجى عدم طي الإطار عندما يكون المقعد مواجهًا للخلف.

تجميع عربة الأطفال

(يرجى الرجوع إلى الأشكال الموضحة بالصفحات ١-١٢)

يرجى قراءة كل التعليمات الواردة في هذا الدليل قبل تجميع المنتج واستخدامه.

فتح عربة الأطفال

راجع الصور ١ - ٧

افصل مزلاج التخزين عن حامله ١، ثم ارفع المقبض لأعلى ٢، حتى يصدر عنه صوت نقر يدل على فتح العربة بالكامل.

! اضغط مسند القدمين لأسفل وأعد ضبطه. ٣ - ١

! يرجى تثبيت الزر أسفل مسند السائقين. ٤ - ٢

! تحقق من قفل مزلاج العربة بالكامل قبل المتابعة.

تركيب وفصل العجلة الأمامية

راجع الصور ٤ - ٥

تركيب وفك العجلات الخلفية

راجع الصور ٦ - ٨

تركيب المظلة

راجع الصور ٩ - ١٠

تركيب وفصل الشراع

راجع الصور ١١ - ١٢

تم توضيح تعليمات تركيب العربة بالكامل على النحو ١٣

تشغيل العربة

ضبط مسند الظهر

راجع الصور ١٤ - ١٥

تتوفر ٥ زوايا لإمالة مسند الظهر.

إمالة مسند الظهر

إمالة مسند الظهر إلى الخلف، اضغط على مقبض الانحناء الموجود خلف المقعد، واسحب مسند الظهر لأسفل. ١٤

رفع مسند الظهر

لرفع مسند الظهر، اسحبه لأعلى. ١٥

! تأكد من ضبط الإمالة على وضع مناسب للاستخدام.

! الحد الأقصى لحمولة جيب التخزين الموجود خلف مسند الظهر هو ٠,٤٥ كجم.

استخدام إبريزم الحزام

راجع الصور ١٦ - ١٧

تحرير الإبريزم

اضغط على الزر الأوسط لتحرير الإبريزم. ١٦

قفل الإبريزم

وصل إبريزم حزام الخصر بإبريزم حزام الكتف ١٧ - ١ من خلال تثبيتهما في الإبريزم الأوسط. ١٧ - ٢ يشير سماع صوت "نقرة" إلى قفل الإبريزم بالكامل. ١٧ - ٣

! لتفادي وقوع إصابات بالغة ناجمة من الوقوع أو الانزلاق، احرص دائمًا على تأمين طفلك باستخدام الحزام.

! تأكد من تثبيت طفلك بإحكام، وأن المسافة بين الطفل ومجموعة أحزمة الكتف تساوي شمك يد واحدة تقريبًا.

! لا تضع أحزمة الكتف بشكل متقاطع؛ فهذا سيؤدي إلى الضغط على رقبة الطفل.

استخدام مجموعة أحزمة الكتف والخصر

راجع الصور ١٦ - ١٧

! لحماية طفلك من السقوط بعد وضعه في المقعد، تحقق من وجود مجموعتي أحزمة الكتف والخصر على ارتفاع وطول مناسبين.

١٦ - ١٧ - نقطة تثبيت مجموعة أحزمة الكتف أ

١٧ - ٢ - نقطة تثبيت مجموعة أحزمة الكتف ب

١٧ - ٣ - الضابط المنزلق

استخدم مثبت مجموعة أحزمة الكتف الأعلی مع الأطفال ذوي الحجم الكبير. استخدم مثبت حزام الكتف من النوع ب والفتحات السفلية للحزام مع الأطفال ذوي الحجم الصغير.

! يمكن ضبط مثبت حزام الكتف من فوق الفتحة التي تُغلق بواسطة قطع التثبيت أو الجيب السفلي. ١٥ - ١٦

لضبط وضع مثبت حزام الكتف، قم بإدارة المثبت ليكون في نفس مستوى الجانب المتجه للأمام. أدخل الحزام عبر فتحة حزام الكتف من الخلف إلى الأمام. ١٥ وقم بإعادة إدخاله من خلال الفتحة الأقرب لمستوى ارتفاع كتف الطفل. ١٦

استخدم ضابط الانزلاق لتغيير طول الحزام. ١١ - ١٢

اضغط على الزر ١١ - ٢ أثناء سحب مجموعة أحزمة الخصر إلى الطول المناسب. ١١ - ٣

ضبط مسند الساقين

راجع الصور ١٧ - ١٨

يوجد موضعان لضبط مسند الساقين.

لرفع مسند الساقين، ادفعه لأعلى. ١٧ ويشير سماع صوت "نقرة" إلى قفل مسند الساقين بالكامل.

لخفض مسند الساقين، اضغط على زرّي الضبط في كلا جانبي مسند الساقين ١٦ - ١٦ ثم لف مسند الساقين لأسفل. ١٦ - ٢

استخدام القفل الدوار الأمامي

راجع الصورة ١٤

حالة العجلة الأمامية وهي مقفلة أو غير مقفلة كما في ١٤.

تلميح يُوصى باستخدام الأقفال الدوارة مع الأسطح غير المستوية.

استخدام المكابح

راجع الصور ١٥ - ١٦

لإيقاف حركة العجلات، اضغط على لسان المكبح نحو الأسفل. ١٥

لتحرير حركة العجلات، ما عليك سوى رفع لسان المكبح. ١٦

تلميح احرص دائمًا على تأمين المكابح عند وقوف العربة.

استخدام المظلة

راجع الصور ١٧ - ١٨

يمكن فتح المظلة أو طيها، قم بسحبها نحو الإمام أو الخلف.

يمكن فتح المظلة بالكامل لحماية طفلك من أشعة الشمس تمامًا؛ فكل ما عليك هو فتح الزمام المنزلق (السوستة) ١٧ ، ثم سحب المظلة في اتجاه مقدمة العربة.

هناك نافذة على المظلة، يمكنك من خلالها مشاهدة طفلك. ١٨

ضبط المقبض

راجع الصورة ١٥

توجد ٣ وضعيات لضبط المقبض.

ضبط ارتفاع المقعد

راجع الصور ١٧ - ١٨

توجد ٣ مواضع لضبط المقعد.

اسحب المقعد لأعلى لزيادة ارتفاعه. ١٦

اضغط على زر ضبط ارتفاع المقعد واسحبه لأعلى، ثم ادفعه لأسفل لتقليل ارتفاعه. ١٦

تبديل وضع المقعد

راجع الصور ١٧ - ١٨

يمكن تبديل وضع المقعد لتمكين الأم والطفل من الجلوس وجهاً لوجه.

اضغط على أزرار تحرير المقعد أثناء رفع المقعد، ولف المقعد إلى الاتجاه المعاكس، ثم أدخل المقعد في كتيفتي تثبيته.

يجب أن تكون كلا كتيفتي تثبيت المقعد مستوية كما هو موضح في ١٧؛ وإذا حدثت الحالات المبينة في ١٤ و ١٥، يرجى الضغط على زر ضبط ارتفاع المقعد وسحبه لأعلى، ثم دفعه لأسفل لتقليل ارتفاعه للتأكد من استواء كلتا كتيفتي تثبيت المقعد. ١٦

استخدام سلة التخزين

راجع الصورة ١٣

لمنع حدوث حالة خطرة بسبب عدم الاستقرار، لا تضع حمولة تزيد عن ٤,٥ كجم في سلة التخزين وحقيبة التخزين.

طّي عربة الأطفال

راجع الصور ٤ - ١٣

! يرجى طيّ المظلة قبل طيّ العربة.

اضغط على زر الطي واسحب لأعلى، ٤ ثم لف المقبض في اتجاه لأسفل، ٤ ويمكن قفل مزلاج الطي تلقائيًا. ٤

! إذا كان المقعد في الموضع السفلي، فقد ينزلق لأسفل أثناء طي العربة للتأكد من قفل مزلاج الطي تلقائيًا.

! يرجى عدم طي الإطار عندما يكون المقعد مواجهًا للخلف. ٥

! يرجى عدم طي الإطار عندما يكون القفل الدوار للعجلة الأمامية معشّنًا.

! يمكن لعربة الأطفال ذات المقعد المواجه للأمام أن تقف في وضعية قائمة عندما يكون المقبض في أعلى وضع له.

استخدام الملحقات

قد يتم بيع الملحقات فرديًا أو قد لا تكون متاحة وفقًا للمنطقة.

استخدام الغطاء الواقي من المطر

راجع الصورة ٤

لتركيب غطاء المطر، ضعه أعلى المقعد.

! عند استخدام الغطاء الواقي من المطر، يرجى التأكد من تهيئته باستمرار.

! في حالة عدم استخدام الغطاء الواقي من المطر، تأكد من تنظيفه وتجفيفه قبل طيه.

! يُرجى عدم طيّ العربة بعد تركيب الغطاء.

! تجنب وضع الطفل في عربة الأطفال المثبت بها الغطاء الواقي من المطر في حالة الطقس الحار.

الاستخدام مع نظام تثبيت حركة الطفل الرضيع

راجع الصور ٤٥ - ٤٦

عند الاستخدام مع نظام تثبيت حركة الطفل i-Snug 2 أو i-Gem 3 أو i-Level Recline أو i-Jemini أو Gemm أو Joie، يرجى اتباع التعليمات التالية:

! يشير سماع صوت "نقرة" إلى قفل المهالئ بالكامل.

! يمكن ضبط زاوية نظام تثبيت حركة الطفل باستخدام مهايئتنا القابلة للضبط. ٤٧

! توجد ٣ مواضع لضبط المهالئ. يرجى عدم استخدام المنتج عندما يكون رأس الطفل منخفضًا عن القدمين بعد تركيب نظام تثبيت حركة الطفل.

! يُرجى الرجوع إلى دليل التعليمات الخاص بنظام تثبيت حركة الطفل، عند مواجهة أية مشكلة أثناء استخدامها.

! برجاء عدم طي العربة في الوقت الذي لا يزال فيه نظام تثبيت حركة الطفل مركبًا.

الاستخدام مع حقيبة حمل الطفل Ramble أو Ramble XL من Joie

راجع الصور ٢٧ - ٢٨

عند الاستخدام مع حقيبة حمل الطفل ramble أو ramble xl من Joie، يرجى اتباع التعليمات التالية. ! يُرجى الرجوع إلى دليل التعليمات الخاص بحقائب حمل الطفل عند مواجهة أية مشكلة أثناء استخدامها. ! يرجى عدم استخدام المنتج عندما يكون رأس الطفل منخفضًا عن القدمين بعد تركيب حقيبة حمل الطفل. ! استخدم المرتبة باستمرار عند استخدام حقيبة حمل الطفل. ! يرجى عدم طي العربة عند تركيب حقيبة حمل الطفل.

الاستخدام مع حقيبة حمل الطفل Calmi من Joie

راجع الصور ٢٩ - ٣٠

عند الاستخدام مع حقيبة حمل الطفل Calmi من Joie، يرجى الرجوع إلى التعليمات التالية. ! يشير سماع صوت "نقرة" إلى قفل المهامبى بالكامل. ! استخدم المرتبة باستمرار عند استخدام حقيبة حمل الطفل. ! يرجى التحقق من سلامة تثبيت الشبكة في الجزء السفلي من حقيبة حمل الطفل قبل تركيب الحقيبة. ! يُرجى الرجوع إلى دليل التعليمات الخاص بحقائب حمل الطفل عند مواجهة أية مشكلة أثناء استخدامها. ! يرجى عدم طي العربة وحقيبة حمل الطفل ما زالت مرگبة بها.

فك وتركيب الأجزاء اللينة

راجع الصور ٣١ - ٣٢

- ١- فك مسند الذراعين كما هو موضح في ٣١
 - ٢- افتح الإبزيم الموجود في الجانب السفلي من المقعد. ٣٣
- لإعادة تجميع أجزاء المقعد اللينة، اتبع الخطوات الواردة أعلاه بترتيب عكسي ٣١ - ٣٣

التنظيف والصيانة

راجع الصورة ٣٤

! لتنظيف إطار العربة، استخدم صابونًا منزليًا وماء دافئًا فقط. ويحظر استخدام أية منظفات أو مبيضات. يُرجى الرجوع إلى ملصق العناية للحصول على تعليمات حول تنظيف قطع قماش العربة. ! يمكن غسل الأجزاء اللينة القابلة للإزالة في الغسالة. يحظر استخدام مبيضات. تجنب عصر غطاء المقعد والبطانة الداخلية لتجفيفهما بقوة مفرطة؛ وإلا، فقد تتكون تجاعيد في الغطاء والبطانة. ! تحقق من وقت لآخر من عدم وجود أجزاء تالفة أو أقمشة ممزقة أو براغي مفكوكة أو غرز خياطة ممزقة. واحرص على استبدال الأجزاء التالفة أو إصلاحها عند الحاجة. امسح الأجزاء البلاستيكية ونظفها بصورة دورية باستخدام قطعة قماش مبللة. قم بتجفيف الأجزاء المعدنية دائمًا لتجنب تكوين الصدأ، في حالة تعرض العربة للماء. ! قد يتسبب التعرض المفرط لأشعة الشمس أو الحرارة في بهتان ألوان الأجزاء وانبعاثها. ! في حالة بلل عربة الأطفال، افتح الغطاء واركها لتجف جيدًا قبل تخزينها. ! إذا سمعت صرير من العجلات، فاستخدم زيتًا خفيفًا (مثل بخاخ سيلكون أو زيت مقاوم للصدأ أو زيت ماكينة خياطة). ويوصى بوضع الزيت داخل تركيبات العجلات والمحور. ٣٤ ! عند استخدام عربة الأطفال على الشاطئ أو على أي بيئة رملية/ملبدة بالغبار، احرص على تنظيف تركيبات العجل والمعدات من الرمال والملح جيدًا بعد الاستخدام.

FI Tervetuloa Joie™-perheeseen

Onnittelut liittymisestä Joie-perheeseen! Olemme innoissamme osallistumisestamme matkaanne pienokaisenne kanssa. Kun matkustat Joie Alore -rattaiden kanssa, käytät korkealaatuisia, täysin sertifioituja rattaita, jotka on hyväksytty eurooppalaisten turvallisuusstandardien EN 1888-2:2018+A1:2022 mukaisesti. Tämä tuote soveltuu lapsille 22 kg:n painoon tai 4-vuotiaaksi saakka, kumpi vain toteutuu ensin. Lue tämä käyttöopas huolellisesti ja noudata kaikkia ohjeita varmistaaksesi mukavan matkan ja parhaan suojauksen lapselle.

TÄRKEÄÄ - LUE HUOLELLISESTI JA SÄILYTÄ TULEVAA KÄYTTÖÄ VARTEN.

Siirry osoitteeseemme Joiebaby.com lataamaan käyttöoppaita ja tutustumaan muihin jännittäviin Joie-tuotteisiin!

Tutustuaksesi takuutietoihin, siirry verkkosivustollemme joiebaby.com

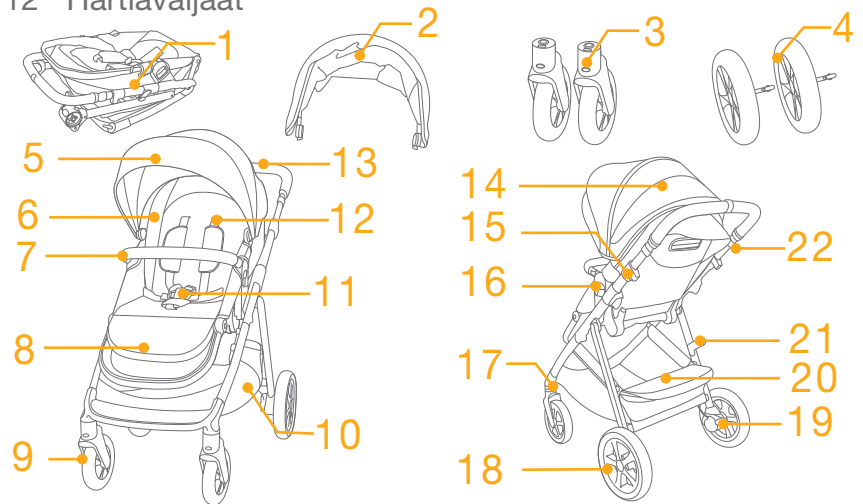
Hätätilanne

Hätätilanteessa tai onnettomuuden sattuessa kaikkein tärkeintä on ensiavun saaminen lapselle ja hakeutuminen välittömästi lääketieteelliseen hoitoon.

Osaluettelo

Varmista ennen kokoamista, että kaikki osat ovat käytettävissä. Jos jokin osa puuttuu, ota yhteyttä paikalliseen jälleenmyyjään. Kokoamiseen ei tarvita työkaluja.

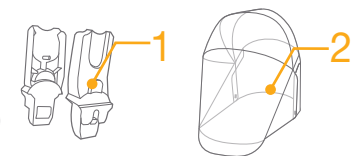
- | | | | |
|----|----------------------|----|--------------------------|
| 1 | Lastenvaunujen runko | 13 | Kahva |
| 2 | Kuomu | 14 | Kuomun ikkuna |
| 3 | Etupyörä | 15 | Taittopainike |
| 4 | Takapyörä | 16 | Istuimen vapautuspainike |
| 5 | Kuomu | 17 | Kääntölukko |
| 6 | Istuintyyyny | 18 | Takapyörä |
| 7 | Käsituki | 19 | Jarruvipu |
| 8 | Pohjetuki | 20 | Säilytyspussi |
| 9 | Etupyörä | 21 | Säilytysalpa |
| 10 | Säilytyskori | 22 | Kahvan säätöpainike |
| 11 | Solki | | |
| 12 | Hartiavaljaat | | |



Lisävarusteet

(Ei ehkä kuulu toimitukseen)

- | | |
|---|-------------------------------------|
| 1 | Sovitin (määrätyissä malleissa) |
| 2 | Sateensuoja (määrätyissä malleissa) |



Lisävarusteita voidaan myydä erikseen tai niitä ei ole saatavilla alueen mukaan.

VAROITUS

- ! Käytä aina turvaistuinjärjestelmää. Turvavöitä ja turvaistuimia on käytettävä oikein.
- ! Varmista, että kaikki lukituslaitteet on lukittu ennen käyttöä.
- ! Älä anna lapsen leikkiä tällä tuotteella.
- ! Tarkista, että vaunukopan, istuinyksikön tai auton istuimen kiinnityslaitteet on oikein lukittu ennen käyttöä.
- ! Kokoamiseen tarvitaan aikuista.
- ! Tämä tuote soveltuu lapsille 22 kg:n painoon tai 4-vuotiaaksi saakka, kumpi vain toteutuu ensin.
- ! Estääksesi vaarallisen, epävakaa tilan, älä aseta yli 4,5kg:n painoa säilytyskoriin.
- ! Älä koskaan jätä lasta valvomatta. Pidä lapsi aina näkyvillä lastenvaunuissa.
- ! Käytä lastenvaunuja vain yhdellä lapsella kerrallaan. Älä koskaan laske käsilaukkua, ostoskassuja, paketteja tai varusteita kahvan tai kuomun päälle.
- ! Lisävarusteita, jotka eivät ole valmistajan hyväksymiä, ei tule käyttää. Ainoastaan valmistajan toimittamia tai suosittelemia vaihto-osia saa käyttää.
- ! Ylikuorma, väärä taittelu tai muiden valmistajien osien käyttö voi vahingoittaa lastenvaunuja ja aiheuttaa osien rikkoutumisen ja tehdä lastenvaunuista epäturvalliset. Lue käyttöopas huolellisesti.
- ! Lue kaikki tämän käyttöoppaan ohjeet ennen tuotteen käyttöä. Säilytä käyttöopas tulevaa käyttöä varten. Näiden varoitusten ja ohjeiden huomiotta jättäminen voi johtaa vakavaan vammaan tai kuolemaan.
- ! Välttääksesi ulos liukumisesta tai putoamisesta aiheutuvan vakavan vamman, käytä aina turvavyötä.
- ! Varmista, että lapsen keho on irti liikkuvista osista, kun säädät lastenvaunuja.

- ! Varmista, että lastenvaunut on kokonaan avattu tai taiteltu ennen kuin päästät lapsen lähelle niitä.
- ! Lapsi voi luistaa jalka-aukkoihin ja kuristua, jos valjaita ei käytetä.
- ! Älä käytä lastenvaunuja portaissa tai liukuportaissa.
- ! Pidä tuotetta loitolla kuumista kohteista, nesteistä ja elektroniikasta.
- ! Älä koskaan anna lapsen seistä lastenvaunuissa tai istua lastenvaunujen etuosaan suuntautuneena.
- ! Älä koskaan jätä lastenvaunuja teille, rinteisiin tai vaarallisiin paikkoihin.
- ! Kuristumisen välttämiseksi ÄLÄ aseta langallisia esineitä lapsen kaulan ympärille. Ripusta langat tästä tuotteesta tai kiinnitä langat leluihin.
- ! Mikä tahansa kahvaan ja/tai selkänojan taakse ja/ tai lastenvaunujen sivuille kiinnitetty kuorma vaikuttaa lastenvaunujen vakauteen.
- ! ÄLÄ nosta lastenvaunuja lapsen ollessa sisällä.
- ! ÄLÄ käytä säilytyskoria lapsen kantokoppana.
- ! Estääksesi lastenvaunujen kaatumisen, älä koskaan anna lapsen kiivetä niihin. Nosta aina lapsi sisään lastenvaunuihin ja ulos niistä.
- ! Välttääksesi sormen juuttumisen, ole varovainen taitellessasi tai avatessasi lastenvaunuja.
- ! Varmista vamman välttämiseksi, että lapsi pysyy loitolla, kun tätä tuotetta avataan ja taitetaan.
- ! Varmistaaksesi lapsen turvallisuuden, varmista että kaikki osat on koottu ja kiinnitetty oikein ennen lastenvaunujen käyttöä.
- ! Välttääksesi kuristumisen, varmista, ettei lapsesi ole takertunut kuomuun.
- ! Lukitse jarrut aina pysäköidessäsi lastenvaunut.
- ! Älä käytä lastenvaunuja, jos ne ovat vahingoittuneet tai rikkoutuneet.

- ! Lastenvaunuja tulee käyttää ainoastaan kävelynopeudella. Tätä tuotetta ei ole tarkoitettu käytettäväksi hölkätessä.
- ! Tukeutumisen välttämiseksi poista muovipussi ja pakkausmateriaalit ennen tämän tuotteen käyttöä. Muovipussi ja pakkausmateriaalit tulee pitää vauvojen ja lasten ulottumattomissa.
- ! Tämä tuote ei ole sopiva käytettäväksi juostessa tai luistellessa.
- ! Vastasyntyneille käytettäväksi suunniteltuja lastenrattaita on suositeltavaa käyttää kallistuneimmassa asennossa vastasyntyneillä vauvoilla.
- ! Seisontajarru on lukittava, kun lasta asetetaan tai poistetaan.
- ! Lasten turvaistuimet tämän lastenvaunujen rungon kanssa käytettynä eivät korvaa lastensänkyä tai vuodetta. Jos lapsen on nukuttava, laske hänet sopivaan vaunukoppaan, lastensänkyyn tai vuoteeseen.
- ! Kantokoppaa ei saa enää käyttää, kun lapsi osaa istua itsekseen, pyöriä ympäri tai työntää itsensä ylös käsillään ja polvillaan. Lapsen enimmäispaino: 9 kg.
- ! ÄLÄ käytä tai lisää muuta patjaa kuin kantokopan toimitukseen kuuluvaa.
- ! Älä kiinnitä kohteita lastenrattaiden kahvaan, selkänojaan tai sivuille. Kaikki lisäkuorma vaikuttaa lastenrattaiden vakauteen ja voi aiheuttaa niiden kaatumisen.
- ! Ylimääräisiä patjoja ei saa lisätä, jollei valmistaja sitä suosittele.
- ! Älä taita lastenvaunujen runkoa, kun istuin on suunnattu taaksepäin.

Lastenvaunujen kokoonpano

(Katso kuvat sivulla 1-12)

Lue kaikki tämän käyttöoppaan ohjeet ennen tämän tuotteen kokoamista ja käyttöä.

Lastenvaunujen avaaminen

Katso kuvat 1 - 3

Erota säilytysalpa säilytyskiinnikkeestä 1 ja nosta kahva ylöspäin 2, napsahdus tarkoittaa, että lastenvaunut ovat kokonaan auki.

! Paina jalkatuki alas ja palauta se. 3 - 1

! Kiinnitä pohjetuen alla oleva nappi. 3 - 2

! Tarkista, että lastenvaunut on lukittu täysin ennen kuin jatkat käyttöä.

Etupyörän kokoaminen ja irrottaminen

Katso kuvat 4 - 5

Takapyörän kokoaminen ja irrottaminen

Katso kuvat 6 - 8

Kokoa kuomu

Katso kuvat 9 - 10

Käsituen kokoaminen ja irrottaminen

Katso kuvat 11 - 12

Kokonaan kootut lastenvaunut näkyvät kuvassa . 13

Lastenvaunujen käyttö

Selkänojan säätäminen

Katso kuvat 14 - 15

Selkänojalla on 5 kallistuskulmaa.

Selkänojan kallistaminen

Kallistaaksesi selkänojaa, purista istuimen takana olevaa kallistuskahvaa, vedä selkänojaa alaspäin. 14

Selkänojan nostaminen

Nostaaksesi selkänojaa, työnnä sitä ylöspäin. 15

! Varmista, että kallistus on asetettu oikein käyttöä varten.

! Selkänojan takana olevan säilytystaskun maksimikuorma on 0,45 kg.

Soljen käyttö

Katso kuvat 16 - 17

Soljen vapauttaminen

Paina keskipainiketta soljen vapauttamiseksi. 16

Soljen lukitseminen

Kohdistaa vyötäröturvavyön solki hartiavyön soljen kanssa 17 - 1, ja napsauta kiinni keskisolkeen. 17 - 2

Napsahdus tarkoittaa, että solki on täysin lukittu. 17 - 3

! Välttääksesi putoamisesta tai ulos liukumisesta aiheutuvan vakavan vamman, kiinnitä lapsi aina valjailla.

! Varmista, että lapsi on kiinnitetty tiukasti. Lapsen ja hartiavaljaiden hihnojen välisen tilan on oltava noin kämmenen paksuinen.

! Älä vie hartiavöitä ristiin. Tämä kohdistaa painetta lapsen niskaan.

Hartia- ja vyötärövaljaiden käyttö

Katso kuvat [18](#) - [21](#)

! Lapsen suojaaminen ulos putoamiselta. Kun lapsi on asetettu istuimelle, tarkista ovatko hartia- ja vyötärövaljaat oikealla korkeudella ja oikean pituisia.

[18](#) - 1 Olkavaljaiden kiinnitysankkuri A

[18](#) - 2 Olkavaljaiden kiinnitysankkuri B

[18](#) - 3 Liukusäädin

Suurempien lasten tulee käyttää hartiavaljaiden kiinnityspistettä A ja korkeimpia hartiapaikkoja. Pienempien lasten tulee käyttää hartiavaljaiden kiinnityspistettä B ja matalimpia hartiapaikkoja.

! Hartiavyön kiinnityspisteen sijaintia voi säätää kiinnittimien tai alataskun peittämästä yläaukosta. [19](#) - 1

Hartiavaljaiden kiinnityspisteen säätämiseksi, kierrä kiinnityspiste samalle tasolle eteenpäin suunnatun sivun kanssa. Pujota se hartiavaljaiden aukon läpi takaa eteen. [19](#) Pujota se uudelleen lähimpänä lapsen hartioiden korkeutta olevan aukon läpi. [20](#)

Voit muuttaa valjaiden pituutta liukusäätimellä. [20](#) - 1

Paina painiketta [21](#) - 2 samalla kun vedät vyötärövaljaita oikeaan pituuteen. [21](#) - 3

Pohjetuen säätäminen

Katso kuvat [22](#) - [26](#)

Pohjetuella on 2 asentoa.

Nostaaksesi pohjetukea, työnnä sitä ylöspäin. [22](#) Naksahdus tarkoittaa, että pohjetuki on täysin lukittu.

Laskeaksesi pohjetukea, paina säätöpainikkeita pohjetuen molemmilla puolilla [23](#) - 1 ja kierrä pohjetukea alaspäin. [23](#) - 2

Etupyörän kääntölukon käyttö

katso kuva [24](#)

Etupyörän lukittu tai avattu tila, kuten [24](#).

Vinkki On suositeltavaa käyttää kääntyviä lukituksia epätasaisilla pinnoilla.

Jarrun käyttö

Katso kuvat [25](#) - [26](#)

Lukitaksesi pyörät, paina jalalla jarruvipua alaspäin. [25](#)

Vapauttaaksesi pyörät, nosta jarruvipu ylöspäin. [25](#)

Vinkki Käytä seisontajarrua aina, kun lastenvaunut eivät liiku.

Kuomun käyttö

Katso kuvat [27](#) - [28](#)

Kuomu voi olla avattu tai taiteltu, vedä sitä eteenpäin tai taaksepäin.

Kuomun voi avata kokonaan lapsen suojaamiseksi liialliselta auringolta, avaa vain vetoketju [27](#) ja vedä sitten kuomua kohti etuosaa.

Kuomussa on ikkuna, josta voit katsoa vauvaa. [28](#)

Kahvan säätäminen

katso kuva [29](#)

Kahvalla on 3 asentoa.

Istuinkorkeuden säätäminen

katso kuvat [30](#) - [31](#)

istuimelle on 3 asentoa.

Vedä istuinta ylöspäin lisätäksesi istuinkorkeutta. [30](#)

Paina istuinkorkeuden säätöpainikkeita ja vedä ylöspäin, paina sitten alaspäin lyhentääksesi istuinkorkeutta. [31](#)

Istuimen vaihtaminen

katso kuvat [32](#) - [33](#)

Istuinta voi vaihtaa niin, että äiti ja lapsi ovat kasvatusten.

Purista istuimen vapautuspainikkeita nostaen samalla istuinta. Kierrä istuinta vastakkaiseen suuntaan ja liitä sitten istuin istuinkiinnikkeisiin.

Molempien istuinkiinnikkeiden on oltava samalla tasolla, kuten kuvassa [33](#), jos tulee eteen tilanne, kuten kuvissa [34](#) ja [35](#), paina istuimen korkeudensäätöpainiketta ja vedä ylöspäin, paina sitten alaspäin lyhentääksesi istuimen korkeutta varmistaaksesi, että istuinkiinnikkeet ovat samalla tasolla. [35](#)

Säilytyskorin käyttö

katso kuva [36](#)

Estääksesi vaarallisen, epävakaan tilan, älä aseta yli 4,5 kg:n painoa säilytyskoriin ja säilytyspussiin.

Lastenvaunujen taittelu

Katso kuvat [40](#) - [43](#)

! Taittele Kuomu ennen lastenvaunujen taittamista.

Paina taittopainiketta ja vedä ylöspäin, [40](#) käännä sitten kahva alaspäin, [41](#) taittosalpa lukkiutuu automaattisesti. [42](#)

! Jos istuin on matalammassa asennossa, voit liu'uttaa alas lastenvaunuja taittellessasi varmistaaksesi, että salpa lukkiutuu automaattisesti.

! Älä taita lastenvaunujen runkoa, kun istuin on suunnattu taaksepäin. [43](#)

! Älä taita runkoa, kun etupyörän kääntölukko on lukittu.

! Lastenvaunut, joissa on kasvat menosuuntaan oleva istuin, pysyvät pystyssä, kun kahva on korkeimmassa asennossa.

Lisävarusteiden käyttö

Lisävarusteita voidaan myydä erikseen tai niitä ei ole saatavilla alueen mukaan.

Sateensuojan käyttö

katso kuva [44](#)

Sateensuojan kokoamiseksi, aseta se istuimen päälle.

! Kun käytät sateensuojaa, tarkista aina sen tuuletus.

! Kun sateensuojaa ei käytetä, tarkista aina, että se on puhdistettu ja kuivattu ennen taittelua.

! Älä taittele lastenvaunuja sateensuojan kokoamisen jälkeen.

! Älä aseta lasta lämpimällä säällä lastenvaunuihin, joihin on asennettu sateensuoja.

Käyttö lasten turvaistuinten kanssa

Katso kuvat [45](#) - [49](#)

Kun käytät Joie-lasten turvaistuinta i-Snug 2 & i-Gemm 3 & i-Level Recline & i-Jemini & Gemm, katso seuraavat ohjeet.

! Naksahdus tarkoittaa, että sovitin on täysin lukittu.

! Vauvan/lapsen turvaistuimen kulmaa voi säätää säädettävillä sovitimillamme. [47](#)

! Sovittimella on 3 asentoa. Älä käytä tuotetta, kun vauvan pää on alempana kuin jalat, kun vauvan/lapsen turvaistuin on kiinnitetty.

! Jos lasten turvaistuimen käytössä ilmenee ongelmia, katso ohjeet sen omasta käyttöoppaasta.

! Älä taita lastenvaunuja, kun lasten turvaistuin on vielä kiinnitetty.

Käytetään Joie Ramble, Ramble XL -kantokopan kanssa

Katso kuvat [30](#) - [33](#)

Käytettäessä Joie kantokoppa ramblen tai ramble xl:n kanssa, katso seuraavat ohjeet.

! Jos kantokopan käytössä ilmenee ongelmia, katso ohjeet sen omasta käyttöoppaasta.

! Älä käytä tuotetta, kun vauvan pää on alempana kuin jalat, kun kantokoppa on kiinnitetty.

! Käytä aina patjaa kantokoppaa käytettäessä.

! Älä taittele lastenvaunuja, kun kiinnität kantokopan.

Käytetään Joie Calmi -kantokopan kanssa

Katso kuvat [34](#) - [37](#)

Kun käytät Joie Calmi -kantokoppaa, lue seuraavat ohjeet.

! Naksahdus tarkoittaa, että sovitin on täysin lukittu.

! Käytä aina patjaa kantokoppaa käytettäessä.

! Tarkista, että kantokopan pohjassa oleva verkko on kiinnitetty oikein ennen kantokopan asentamista.

! Jos kantokopan käytössä ilmenee ongelmia, katso ohjeet sen omasta käyttöoppaasta.

! Älä taita lastenvaunuja, kun kantokoppa on vielä kiinnitetty.

Pehmyttarvikkeiden irrottaminen ja kokoaminen

Katso kuvat [38](#) - [39](#)

1. Irrota käsituki, kuten kuvassa [12](#)

2. Avaa istuimen pohjassa oleva solki. [38](#)

Kootaksesi istuimen pehmyttarvikkeet uudelleen, toimi edellä esitettyjen ohjeiden mukaisesti käännetyssä järjestyksessä [38](#) - [39](#)

Puhdistus ja kunnossapito

katso kuva [39](#)

! Käytä lastenvaunujen kehikon puhdistamiseen ainoastaan astianpesuainetta ja lämmintä vettä. Ei valkaisu- tai pesuaineita. Katso pesumerkistä ohjeet, kuinka lastenvaunujen kangasosat puhdistetaan.

! Irrotettavat pehmyttarvikkeet ovat konepestäviä. Ei valkaisuainetta. Älä kuivaa pehmyttarvikkeita ja sisäpehmusteita kiertämällä niitä suurella voimalla. Istuimen päällykseen ja sisäpehmusteisiin voi jäädä ryppejä.

! Tarkista lastenvaunut ajoittain löysien ruuvien, kuluneiden osien, revenneen materiaalin tai ratkenneiden saumojen varalta. Vaihda tai korjaa osat tarpeen mukaan. Pyyhi muoviosat säännöllisesti pehmeällä, kostealla liinalla. Kuivaa aina metalliosat estääksesi ruosteen muodostumisen, jos lastenvaunut joutuvat kosketuksiin veden kanssa.

! Liiallinen altistuminen auringolle tai kuumuudelle voi johtaa joidenkin sidontaosien haalistumiseen.

! Jos lastenvaunut kastuvat, avaa kuomu ja anna vaunujen kuivua kokonaan ennen varastointia.

! Jos pyörät vinkuvat, käytä kevyttä öljyä (esim. silikonisuihke, ruosteenpoistoöljy tai ompelukoneöljy). On tärkeää saada öljy akseli- ja pyöräkokoonpanon sisään. [34](#)

! Kun käytät lastenvaunuja hiekkarannalla tai muussa hiekkaisessa/pölyisessä ympäristössä, puhdista lastenvaunut käytön jälkeen kauttaaltaan poistaaksesi hiekan ja suolan mekanismeista ja pyöräkoonpanoista.

NO Velkommen til Joie™

Gratulerer med å bli en del av Joie-familien! Vi er så glade for å bli en del av reisen til deg og barnet ditt. Når du er på tur med Joie Alore, bruker du en fullsertifisert barnevogn av høy kvalitet, godkjent i henhold til europeiske sikkerhetsstandarder EN 1888-2:2018+A1:2022. Dette produktet er egnet for barn opptil det som kommer først av 22 kg eller 4 år. Les nøye gjennom denne håndboken og følg alle trinn for en behagelig tur der barnet er så godt beskyttet som mulig.

VIKTIG - LES NØYE OG BEHOLD FOR FREMTIDIG OPPSLAG.

Besøk oss på joiebaby.com for å laste ned bruksanvisninger og se flere spennende Joie-produkter.

Du finner garantiinformasjon på vårt nettsted: joiebaby.com

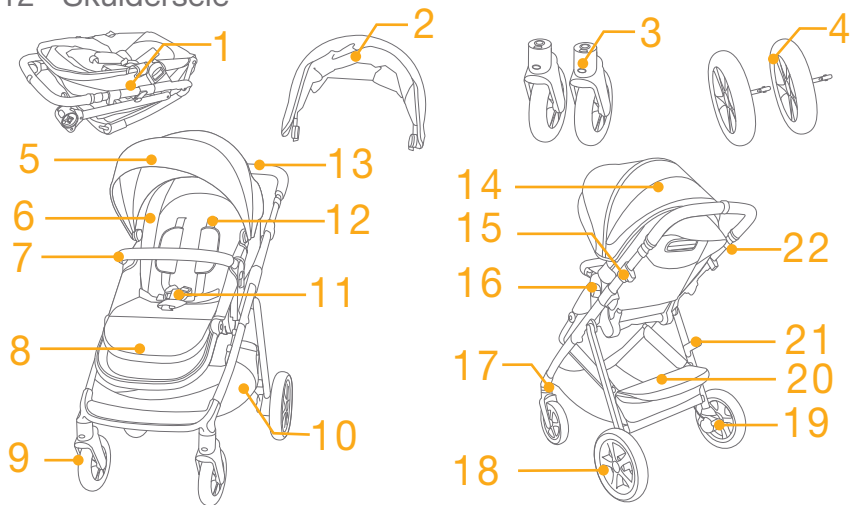
Nødsituasjon

Ved nødstilfeller eller ulykker er det viktigste at barnet blir tatt hånd om med førstehjelp og medisinsk behandling umiddelbart.

Deleliste

Påse at du har alle delene før montering. Hvis noen del mangler, kontakter du din lokale forhandler. Det kreves ingen verktøy for montering.

- | | |
|---------------------|---------------------------|
| 1 Barnevognramme | 13 Håndtak |
| 2 Kalesje | 14 Kalesjevindu |
| 3 Forhjul | 15 Brettteknapp |
| 4 Bakhjul | 16 Seteutløserknapp |
| 5 Kalesje | 17 Svinglås |
| 6 Setepute | 18 Bakhjul |
| 7 Armstang | 19 Bremsespak |
| 8 Leggstøtte | 20 Oppbevaringsveske |
| 9 Forhjul | 21 Oppbevaringslomme |
| 10 Oppbevaringskurv | 22 Håndtakjusteringsknapp |
| 11 Spenne | |
| 12 Skuldersele | |

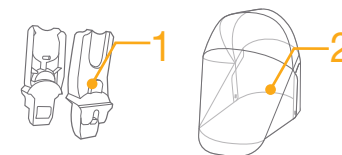


Tilbehør

(Kanskje ikke inkludert)

- 1 Adapter (på visse modeller)
- 2 Regntrekk (på enkelte modeller)

Tilbehør kan selges separat eller ikke avhengig av region.



ADVARSEL

- ! Bruk alltid beltesystemet. Sikkerhetsbelter og setesystemer må brukes riktig.
- ! Sørg for at alle låsene er låst før bruk.
- ! Ikke la barnet leke med dette produktet.
- ! Kontroller at kroppen til barnevognene, seteenheten eller bilstolfestene er riktig festet før bruk.
- ! Må settes sammen av en voksen.
- ! Dette produktet er egnet for barn opptil det som kommer først av 22 kg eller 4 år.
- ! Ikke legg mer enn 4,5kg i oppbevaringskurven for å hindre farlig ustabilitet.
- ! La aldri barnet være uten tilsyn. Hold alltid barn i sikte i barnevognen.
- ! Bruk barnevognen med bare ett barn om gangen. Plasser aldri vesker, handleposer, pakker eller tilbehør på håndtaket eller kalesjen.
- ! Tilbehør som ikke er godkjent av produsenten, skal ikke brukes. Kun erstatningsdeler som leveres eller anbefales av produsenten, skal brukes.
- ! Overbelastning, feil bretteing eller bruk av deler fra andre produsenter kan føre til at vognen blir skadet, ødelagt eller usikker. Les instruksjonsboken nøye.
- ! Les alle instruksjonene i bruksanvisningen før du bruker produktet. Ta vare på bruksanvisningen for fremtidig bruk. Dersom ikke disse advarslene og instruksjonene følges, kan det føre til alvorlig personskade eller dødsfall.
- ! For å unngå alvorlig skade fra fall eller skliing må sikkerhetsbeltet alltid brukes.
- ! Sørg for at kroppen til barnet er fri fra bevegelige deler når du justerer vognen.

- ! Sørg for at barnevognen er helt åpen eller brettet før du lar barnet være i nærheten av barnevognen.
- ! Barnet kan gli inn i benåpningene og bli kvalt hvis selen ikke brukes.
- ! Bruk aldri barnevogner på trapper eller rulletrapper.
- ! Hold unna gjenstander med høye temperaturer, væsker og elektronikk.
- ! La aldri barnet stå på eller sitte i vognen med hodet mot forsiden av vognen.
- ! Plasser aldri vognen på veier, bakker eller farlige steder.
- ! For å unngå kvelning må du ikke plassere gjenstander med en streng rundt barnets nakke, henge strenger fra dette produktet eller feste strenger til leker.
- ! En belastning som er festet til håndtaket, på baksiden av ryggstøtten og/eller på sidene av vognen, vil påvirke stabiliteten.
- ! IKKE løft barnevognen mens barnet er i den.
- ! IKKE legg barn i oppbevaringskurven.
- ! For å forhindre at barnevognen velter må du aldri la barnet klatre i den. Løft alltid barnet inn og ut av barnevognen.
- ! For å unngå at fingre setter seg fast må du være forsiktig når du bretter sammen og opp vognen.
- ! For å unngå skade må du sørge for at barnet holdes vekke når produktet brettes og brettes opp.
- ! For å ivareta sikkerheten til barnet må du sørge for at alle delene er ordentlig montert og festet før du bruker barnevognen.
- ! For å unngå kvelning må du sørge for at barnet ditt holdes godt borte fra kalesjen.
- ! Sett alltid på bremsene når du parkerer vognen.
- ! Slutt å bruke barnevognen hvis den er skadet eller ødelagt.

- ! Barnevognen skal kun brukes i ganghastighet. Dette produktet er ikke ment for bruk under jogging.
- ! For å unngå kvelning må du fjerne plastposen og emballasjen før du bruker dette produktet. Plastposen og emballasjematerialet skal deretter holdes borte fra babyer og barn.
- ! Produktet er ikke egnet for løping eller skøyteløp.
- ! I sportsvogn designet for bruk fra fødselen av, skal den mest tilbaketente posisjonen brukes for nyfødte babyer.
- ! Parkeringsbremsen skal være aktiv når barn settes i og tas ut.
- ! For barneseter som brukes sammen med undervogn erstatter ikke denne barnevognen en barneseng eller en seng. Dersom barnet trenger å sove, må det legges i en egnet barnevogn, barneseng eller seng.
- ! Slutt å bruke bæresengen så snart barnet er i stand til å sitte alene, rulle rundt og dytte seg opp på hendene og knærne. Maksimal vekt på barnet: 9 kg.
- ! IKKE bruk eller legg i noen annen madrass enn den som leveres av bæresengen.
- ! Ikke fest gjenstander til håndtaket, seteryggen eller sidene av barnevognen. Ekstra belastning vil påvirke stabiliteten til barnevognen og kan gjøre at vognen velter.
- ! Ingen ekstra madrasser skal legges til, med mindre det anbefales av produsenten.
- ! Ikke brett rammen når setet er fremovervendt.

Montering av barnevogn

(Se figurene på side 1-12).

Les alle instruksjonene i denne bruksanvisningen før du monterer og bruker produktet.

Åpne barnevognen

se bilder 1 - 3

Ta oppbevaringslåsen av oppbevaringsfestet 1, og løft deretter håndtaket oppover 2. Når det høres et klikk, betyr det at barnevognen er helt åpen.

! Trykk fotstøtten ned og tilbakestill den. 3 - 1

! Fest knappen under leggstøtten. 3 - 2

! Kontroller at barnevognen er helt låst før du fortsetter å bruke den.

Montere og løsne forhjulet

se bilder 4 - 5

Monter og løsne bakhjulet

se bilder 6 - 8

Montere kalesjen

se bilder 9 - 10

Montere og løsne armstang

se bilder 11 - 12

Den ferdigmonterte barnevognen er vist som 13

Bruk av barnevogn

Justere ryggstøtten

se bilder 14 - 15

Ryggstøtten kan lenes til 5 vinkler.

Lene ryggstøtten bak

For lene ryggstøtten klemmer du lenehåndtaket på baksiden av setet og trekker ned på ryggstøtten. 14

Løfte ryggstøtten opp

Trykk opp for å heve ryggstøtten. 15

! Pass på at lenevinkelen er satt riktig for bruk.

! Den maksimale belastningen til oppbevaringslommen på baksiden av ryggstøtten er 0,45 kg.

Bruke spennen

se bilder 16 - 17

Frigjøre spennen

Trykk den midtre knappen for å frigjøre spennen. 16

Låse spennen

Sett midjebeltespennen på linje med skulderspennen 17 - 1, og klikk den inn i midtre spenne. 17 - 2 Når du hører et «klikk», betyr det at kalesjen er helt låst. 17 - 3

! For å unngå alvorlig skade fra fall eller skliing må barnet alltid sitte med sikkerhetsbelte.

! Sørg for at barnet er godt på plass. Avstanden mellom barnet og skulderbeltet skal være på omtrent tykkelsen til en hånd.

! Ikke kryss skulderbeltene. Det vil forårsake trykk på barnets nakke.

Bruke skulder- og midjeseler

se bilder 18 - 21

! For å beskytte barnet fra å falle ut bør du kontrollere at skulder- og midjebeltene har riktig høyde og lengde etter at barnet settes i setet.

18 - 1 Skulderseleanker A

18 - 2 Skulderseleanker B

18 - 3 Skyvejustering

For større barn bruker du skulderseleanker A og de øverste skuldersporene. For mindre barn bruker du skulderseleanker B og de nedre skuldersporene.

! Posisjonen til skulderbelteankeret kan justeres fra åpningen over og lukkes av festene eller lommen under. 19 - 1

Juster posisjonen til skulderseleankeret ved å dreie det slik at det er på linje med siden vendt fremover. Tre det gjennom skulderseleslissen bakfra og frem. 19 Tre den igjen gjennom slissen som er nærmest skulderhøyden til barnet. 20

Bruk skyvejusteringen til å endre selelengden. 21 - 1

trykk knappen 21 - 2 mens du trekker midjeselen til riktig lengde. 21 - 3

Justere leggstøtten

se bilder 22 - 23

Leggstøtten har to stillinger.

Hev leggstøtten ved å trykke den oppover. 22 Når du hører et «klikk», betyr det at leggstøtten er helt låst.

For å senke leggstøtten trykker du justeringsknappene på begge sider av leggstøtten 23 - 1, og dreier leggstøtten nedover. 23 - 2

Bruke fremre svingelås

se bilde 24

Forhjul låst eller ulåst status som 24.

Tips Svingelåsene bør brukes på ujevne overflater.

Bruke bremsen

se bilder 25 - 26

Lås hjulene ved å trække bremsespaken nedover. 25

Løsne hjulene ved å løfte bremsespaken oppover. 26

Tips Slå alltid på parkeringsbremsen når barnevognen står stille.

Bruke kalesjen

se bilder 27 - 28

Kalesjen kan åpnes eller brettes ved å trekke den frem eller bak.

Kalesjen kan åpnes helt for å beskytte barnet ditt helt mot solen. Bare åpne glidelåsen 27, og trekk kalesjen ut mot forsiden.

Det er et vindu på kalesjen der du kan se barnet. 28

Justeringshåndtak

se bilde 29

Håndtaket har 3 stillinger.

Juster setehøyde

se bilder 30 - 31

Setet har 3 stillinger.

Trekk opp setet for å øke setehøyden. 30

Trykk justeringsknappene for setehøyde og trekk opp, og trykk ned for å redusere setehøyden. 31

Bytte sete

se bilder 32 - 33

Setet kan skiftes slik at mor og barn kan se hverandre ansikt til ansikt.

Klem seteutløserknappene mens du løfter setet. Snu setet i motsatt retning, og sett deretter setet inn i setefestene.

Begge setefestene må være i vater som på 33. Hvis det er som på 34 og 35, trykker du justeringsknappene for setehøyde og trekker opp, og trykker ned for å redusere setehøyden slik at begge setefestene er i vater. 36

Bruke oppbevaringskurven

se bilde 37

Ikke legg mer enn 4,5 kg i oppbevaringskurven og oppbevaringsvesken for å hindre en farlig, ustabil situasjon.

Brette barnevogn

se bilder 40 - 43

! Brett ned kalesjen før du bretter vognen.

Trykk bretteknappen og trekk opp, 40 og drei deretter håndtaket nedover, 41 så låses brettelåsen automatisk. 42

! Hvis setet er i den nedre posisjonen, kan det gli ned mens du bretter sammen barnevognen for å sikre at brettelåsen låses automatisk.

! Ikke brett rammen når setet er fremovervendt. 43

! Ikke brett rammen når svinglåsen på forhjulet er låst.

! Barnevognen med fremovervendt sete kan stå når håndtaket er i høyeste posisjon.

Bruke tilbehør

Tilbehør kan selges separat eller ikke avhengig av region.

Bruke regntrekket

se bilde 44

Sett sammen regntrekket ved å plassere det over setet.

! Når du bruker regntrekket, må du alltid sjekke ventilasjonen.

! Når du er ferdig med å bruke regntrekket, må det gjøres rent og tørkes før det brettes sammen.

! Ikke brett vognen etter at regntrekket er satt på.

! Ikke legg barnet i barnevognen sammen med regntrekket på i varmt vær.

Bruke med barnesete

se bilder 45 - 48

Når du bruker Joie barnesete i-Snug 2, i-Gemm 3, i-Level Recline og i-Jemini og Gemm, kan du se følgende instruksjoner.

! Når du hører et «klikk», betyr det at adapteren er helt låst.

! Vinkelen på barnesetet kan justeres med våre justerbare adaptere. 47

! Adapteren har 3 stillinger. Ikke bruk produktet når hodet til spedbarnet er lavere enn føttene når barnesetet er satt på.

! Hvis du har problemer med å bruke barnesetet, må du se de gjeldende instruksjonshåndbøker.

! Ikke brett barnevognen når barnesetet fortsett er satt på.

Brukes med Joie Ramble, Ramble XL bæreseng

se bilder [50](#) - [53](#)

Når du bruker Joie bæreseng ramble eller ramble xl, kan du se følgende instruksjoner.

- ! Hvis du har problemer med å bruke bæresengen, må du se de gjeldende instruksjonshåndbøker.
- ! Ikke bruk produktet når hodet til spedbarnet er lavere enn føttene når bæresengen er satt på.
- ! Bruk alltid madrassen når du bruker bæresengen.
- ! Ikke brett barnevognen når du fester bæresengen.

Brukes med Joie bæreseng

se bilder [54](#) - [57](#)

Når du bruker Joie Calmi bæreseng, kan du se følgende instruksjoner.

- ! Når du hører et «klikk», betyr det at adapteren er helt låst.
- ! Bruk alltid madrassen når du bruker bæresengen.
- ! Kontroller at masken i bunnen av bæresengen er ordentlig festet før du monterer bæresengen.
- ! Hvis du har problemer med å bruke bæresengen, må du se de gjeldende instruksjonshåndbøker.
- ! Ikke brett barnevognen når bæresengen fortsatt er satt på.

Løsne og montere de myke delene

se bilder [58](#) - [59](#)

1. Fjern armstangen som vist i [12](#)
2. Åpne spennen nederst på setet. [58](#)

Følg trinnene ovenfor i omvendt rekkefølge for å sette sammen de myke delene til setet [58](#) - [59](#)

Rengjøring og vedlikehold

se bilde [60](#)

- ! For å rengjøre rammen til barnevognen bruker du bare husholdningssåpe og varmt vann. Ikke bruk blekemiddel eller vaskemiddel. Se på pleieetiketten for instruksjoner om rengjøring av stoffdelene i barnevognen.
- ! Avtakbare myke varer kan vaskes i maskin. Ikke bruk blekemiddel. Ikke vri opp setetrekket og den indre polstringen med stor kraft for å tørke dem. Det kan gjøre at setetrekket og den indre polstringen blir rynket.
- ! Kontroller barnevognen iblant for å se etter løse skruer, slitte deler eller revne materialer eller sømmer. Bytt ut eller reparer delene etter behov. Tørk regelmessig av plastdelene med en myk, fuktig klut. Tørk alltid metalldelene hvis vognen har kommet i kontakt med vann for å forhindre at det kommer rust.
- ! Overdreven eksponering for sol eller varme kan føre til falming eller vridning av deler.
- ! Hvis barnevognen blir våt, må du åpne baldakinen og la den tørke grundig før du lagrer den.
- ! Hvis hjulene knirker, kan du bruke lett olje (f.eks. silisiumspray, antirustolje eller symaskinolje). Det er viktig å få oljen inn i akslingen og hjulenheten. [60](#)
- ! Når barnevognen brukes på stranden eller på et annet sted med mye sand/støv, må den renses helt etterpå for å fjerne sand og salt fra mekanismene og hjulene.

ET Tere! Mina olen Joie™

Palju õnne! Olete hankinud suurepärase Joie toote. Meil on hea meel, et saame olla koos teiega pisikese kodaniku eluteel. Jalutuskäru Joie Alore on väga kvaliteetne ja vastab kõikidele ametlikele nõuetele, muu hulgas Euroopa ohutusstandarditele EN 1888-2:2018+A1:2022. Toode sobib kehakaaluga kuni 22 kg või kuni 4-aastastele lapsele (arvestada varem täituvat tingimust). Lugege seadme juhend hoolikalt läbi ja järgige seda igal sammul, et liikuda lapsega mugavalt ja turvaliselt.

TÄHTIS: LUGEGE TÄHELEPANELIKULT JA HOIDKE ALLES.

Võite kasutusjuhendeid alla laadida aadressilt joiebaby.com, millel tutvustatakse ka teisi põnevamaid Joie tooteid!

Garantiiteabe leiате meie veebisaidilt aadressil joiebaby.com

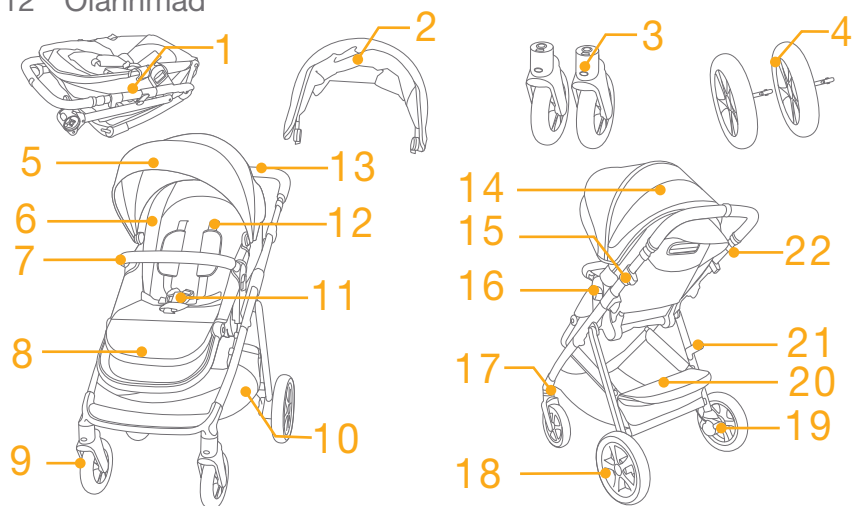
Õnnetuse korral

Kui juhtub õnnetus, laske oma lapsele kindlasti anda kohe esmaabi ja vajadusel meditsiinilist ravi.

Osad

Enne kokkupanekut kontrollige, kas kõik vajalikud osad on olemas. Kui mõni osa puudub, pöörduge kohaliku müügiesindaja poole. Seadme kokkupanekuks pole tööriistu vaja.

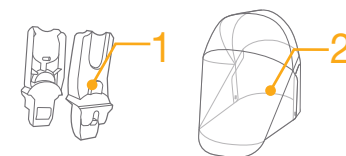
- | | |
|--------------------|-------------------------------|
| 1 Jalutuskäru raam | 13 Käepide |
| 2 Katus | 14 Katuseaken |
| 3 Esiratas | 15 Kokkupanekunupp |
| 4 Tagaratas | 16 Istme vabastusnupp |
| 5 Katus | 17 Suunalukk |
| 6 Istmepadi | 18 Tagaratas |
| 7 Tugikaar | 19 Pidurihoob |
| 8 Säätetugi | 20 Istmealune kott |
| 9 Esiratas | 21 Hoideriiv |
| 10 Istmealune korv | 22 Käepideme reguleerimisnupp |
| 11 Pannal | |
| 12 Ölarihmad | |



Tarvikud

(Ei ole alati komplektis)

- 1 Adapter (teatud mudelitel)
- 2 Vihmakaitse (teatud mudelitel)



Sõltuvalt piirkonnast võivad tarvikud olla saadaval eraldi või üldse mitte.

HOIATUS

- ! Kasutage alati kinnitussüsteemi. Turvavõid ja kinnitusi tuleb kasutada õigesti!
- ! Enne kasutamist veenduge, et kõik lukustid on suletud.
- ! Ärge lubage lapsel tootega mängida.
- ! Enne kasutamist veenduge, et hälli korpus, istmeosa või auto turvaiste oleksid korralikult kinnitatud.
- ! Kokku peab panema täiskasvanu.
- ! Seda toodet soovitatakse alla 22 kg või 4-aastastele lastele, olenevalt sellest, kumb saabub varem.
- ! Ohtliku olukorra ja ebastabiilsuse vältimiseks ärge pange istmealusesse korvi üle 4,5 kg raskust koormat.
- ! Ärge jätke last järelevalveta! Jalutuskäru kasutamise ajal ärge jätke last järelevalveta.
- ! Kasutage jalutuskäru korruga ainult ühe lapsega. Ärge pange käekotti, poekotti, pakke vms esemeid käepideme külge ega katusele.
- ! Tarvikuid, mida tootja pole heaks kiitnud, ei tohi kasutada. Kasutada võib ainult tootja tarnitud või soovitatavaid osi.
- ! Ülekoormamine, ebaõige kokkupanemine või muu päritoluga osade kasutamine võib jalutuskäru kahjustada või lõhkuda ning olla ohtlik. Lugege tähelepanelikult kasutusjuhendit.
- ! Lugege kõik kasutusjuhendis olevad juhised läbi, enne kui hakkate toodet kasutama. Hoidke kasutusjuhend alles edaspidiseks kasutamiseks. Nende hoiatuste ja juhiste eiramine võib põhjustada tõsiseid vigastusi või surma.
- ! Kukkumisest või välja libisemisest tingitud tõsiste vigastuste vältimiseks kasutage alati turvarihmu.
- ! Jalutuskäru reguleerimisel jälgige, et lapse kehaosad oleksid liikuvatest osadest eemal.

- ! Enne lapse lubamist jalutuskäru juurde veenduge, et see on täiesti kasutusvalmis või kokku pandud.
- ! Laps libiseda jalgaavadesse ja saada kägistada, kui ei kasutata rakmeid.
- ! Ärge kasutage jalutuskäru trepil või eskalaatoril.
- ! Hoidke eemal kuumadest esemetest, vedelikest ja elektroonikast.
- ! Ärge kunagi lubage lapsel jalutuskäru seista ega istuda kärus näoga ettepoole.
- ! Ärge jätke jalutuskäru sõiduteele, kallakule vms ohtlikku kohta.
- ! Kägistamise vältimiseks ÄRGE pange lapsele kaela nööri ega esemeid, ärge riputage toote külge nööri ega kinnitage sellele nööri mänguvasju.
- ! Igasugune käepideme, seljatoe ja/või tagaosa külge kinnitatud lisakoormus mõjutab jalutuskäru stabiilsust.
- ! ÄRGE tõstke jalutuskäru, kui laps on kärus.
- ! ÄRGE kasutage istmealust korvi lapse vedamiseks.
- ! Käru kaadumise vältimiseks ärge lubage lapsel kärusse ronida. Tõstke laps alati ise kärusse ja sellest välja.
- ! Sõrmevigastuste vältimiseks olge käru kokkupaneku ja lahtitegemisel ettevaatlik.
- ! Vigastuste vältimiseks hoidke laps kärust eemal, kui seda kokku panete või lahti võtate.
- ! Lapse ohutuse tagamiseks veenduge enne jalutuskäru kasutamist, et kõik osad on korralikult kokku pandud ja kinnitatud.
- ! Kägistamise vältimiseks jälgige, et laps püsiks katusest eemal.
- ! Kui jätate jalutuskäru seisma, rakendage alati pidurid.
- ! Kui jalutuskäru on kahjustatud või katki, ärge seda kasutage.

- ! Jalutuskäru võib kasutada ainult jalutuskiiirusel. Toode ei ole mõeldud jooksmise ajal kasutamiseks.
- ! Lämpumise vältimiseks eemaldage enne toote kasutamist sellelt kilekott ja pakkematerjalid. Seejärel hoidke kilekotti ja pakkematerjale imikutest ja lastest eemal.
- ! See toode pole ette nähtud kasutamiseks jooksmise või uisutamise ajal.
- ! Vastsündinu korral soovatakse lapsevankrit kasutada enamasti lapse lamavas asendis.
- ! Lapse kärusse panemisel ja sealt äratõstmisel tuleks rakendada pidur.
- ! Rakmete kasutamine imikul ei asenda turvahälli või voodit. Lapse magamise ajaks tuleb ta panna sobivasse lapsevankrisse, turvahälli või voodisse.
- ! Kandehälli ei tohi enam kasutada, kui laps oskab ise istuda, end ümber pöörata ning kápuli tõusta. Lapse maksimumkaal: 9 kg.
- ! ÄRGE KASUTAGE madratsit, mis pole tootja tarnitud või soovitatud.
- ! Ärge kinnitage esemeid jalutuskäru käepideme, seljatoele või külgosade külge. Igasugune lisakoormus mõjutab jalutuskäru stabiilsust ja võib põhjustada selle ümbermineku.
- ! Lisamadratsit võib kasutada vaid juhul, kui tootja seda soovitab.
- ! Ärge pange seadme raami kokku, kui iste on paigutatud selles näoga tahapoole.

Jalutuskäru kokkupanek

(Vt jooniseid leheküljel 1-12)

Lugege kõik selles juhendis olevad juhised läbi, enne kui hakkate toodet kasutama.

Jalutuskäru avamine

vt pilte 1 - 3

Võtke hoideriiv kinnituse 1 küljest lahti ja tõstke käepide üles 2; kui kostab klõpsatus, siis on jalutuskäru täiesti avatud asendis.

! Lükake jalatugi alla ja tõmmake tagasi. 3 - 1

! Paigaldage sääretoe alla nupp. 3 - 2

! Enne kasutamist veenduge, et jalutuskäru on riivistatud asendis.

Esiratta paigaldamine ja eemaldamine

vt pilte 4 - 5

Tagaratta paigaldamine ja eemaldamine

vt pilte 6 - 8

Katuse paigaldamine

vt pilte 9 - 10

Tugikaare paigaldamine ja eemaldamine

vt pilte 11 - 12

Täielikult kokkupandud jalutuskäru on kujutatud joonisel 13

Jalutuskäru kasutamine

Seljatoe reguleerimine

vt pilte 14 - 15

Seljatoel on 5 asendit.

Seljatoe langetamine

Seljatoe langetamiseks vajutage kallutuskäepidet, mis asub istme taga, ja tõmmake seljatuge alla. 14

Seljatoe tõstmine

Seljatoe tõstmiseks lükake seda üles. 15

! Veenduge, et seljatugi on kasutamiseks sobivas asendis.

! Seljatoe taga olevasse taskusse võib panna kuni 0,45 kg koormuse.

Pandla kasutamine

vt pilte 16 - 17

Pandla avamine

Pandla vabastamiseks vajutage keskmist nuppu. 16

Pandla lukustamine

Pange vöörihma pannal kokku õlarihma pandlaga 17 - 1 ja sisestage keskmisse pandlasse. 17 - 2 Klõpsatus annab märku, et pannal on korralikult suletud. 17 - 3

! Kukkumisest või välja libisemisest tingitud tõsiste vigastuste vältimiseks kinnitage alati rakmed.

! Veenduge, et rakmed on lapsel tihedalt peal. Lapse ja õlarihma vahele peab jääma kõige rohkem kaelaba võrra vaba ruumi.

! Ärge pange õlarihmasid risti. Vastasel korral suruvad need lapse kaelale.

Õla- ja võõrihmade kasutamine

vt pilte 18 - 21

! Lapse kaitsmiseks väljakukkumise eest kontrollige pärast lapse istmele panemist, kas õla- ja võõrihmad on õigel kõrgusel ja sobiva pikkusega.

18 - 1 Õlahiima ankur A

18 - 2 Õlahiima ankur B

18 - 3 Reguleerimispannal

Suurema lapse korral kasutage õlahiima ankru A ja kõrgemal olevaid õlahiima kinnituskohti. Kui laps on veel väike, kasutage õlahiima ankru B ja alumisi kinnituskohti.

! Õlavöö ankrust asukohta saab reguleerida kinnituse abil ülemise ava või alumise tasku kaudu. 19 - 1

Õlahiimade kinnituskoha muutmiseks pöörake ankur ava suunas. Lükake see tagant ettepoole läbi õlahiima ava. 19 Kinnitage see lapse õla kõrgusele vastavasse avasse. 20

Rihmade pikkuse muutmiseks kasutage reguleerimispannalt. 21 - 1

Vajutage nuppu 21 - 2 ja reguleerige võõriima pikkus sobivaks. 21 - 3

Sääretoa kasutamine

vt pilte 22 - 23

Sääretool on 2 asendit.

Sääretoa ülespoole seadmiseks lükake seda üles. 22 Klõpsatus annab märku, et tugi on korralikult fikseeritud.

Toe langetamiseks vajutage sääretoa kummalgi küljel olevaid reguleerimisnuppe 23 - 1 ja pöörake sääretoa alla. 23 - 2

Eesmise suunaluku kasutamine

Vaadake pilti 24

Esiratta lukustuse või vabastuse olek vastavalt joonisele 24.

Soovitus Suunalukke tuleks kasutada ebatasasel pinnal liikudes.

Piduri kasutamine

vt pilte 25 - 26

Rataste lukustamiseks vajutage pidurihoob alla. 25

Piduri vabastamiseks tõmmake pidurihoob üles. 26

Soovitus Ärge rakendage pidurit, kui jalutuskäru liigub.

Katuse kasutamine

vt pilte 27 - 28

Saate katuse avada ja kokku panna – tõmmake seda ette- või tahapoole.

Lapse päikese eest kaitsmises saate avada katuse – avage tõmblukk 27 ja tõmmake katust ettepoole.

Katuses on aken, mille kaudu saate last vaadata. 28

Käepideme reguleerimine

Vaadake pilti 29

Käepidemel on 3 asendit.

Istme kõrguse reguleerimine

vt pilte 30 - 31

Istmel on 3 asendit.

Istme kõrgemale seadmiseks tõmmake seda üles. 30

Vajutage istme kõrguse reguleerimisnuppe ja tõmmake istet üles ning lükake alla, et istet allapoole seada. 31

Istme ümberpööramine

vt pilte 32 - 33

Istme saab ümber pöörata, et laps vaataks teie poole.

Vajutage istme vabastusnuppe ja tõstke istet. Pöörake iste ringi ja paigaldage iste tagasi süvenditesse.

Süvendid peavad olema ühekõrgused, nagu näidatud joonisel 32; joonistel 32 ja 33 näidatud asendite korral vajutage istme kõrguse reguleerimisnuppe ja tõmmake istet üles ning lükake alla, et istet allapoole seada, nii et mõlemad süvendid jäävad samale kõrgusele. 33

Istmealuse korvi kasutamine

Vaadake pilti 34

Ohtliku olukorra ja ebastabiilsuse vältimiseks ärge pange istmealusesse korvi ja kotti üle 4,5 kg raskust koormat.

Jalutuskäru kokkupanek

vt pilte 40 - 43

! Enne jalutuskäru kokkupanekut pange kokku selle katus.

Vajutage kokkupaneku nuppu ja tõmmake üles 40 seejärel pöörake käepide alla, 41 riiv peaks lukustuma automaatselt. 42

! Madalaimas asendis olev iste saab alla libiseda, kui jalutuskäru kokku pannakse, ning riiv lukustub automaatselt.

! Ärge pange seadme raami kokku, kui iste on paigutatud selles näoga tahapoole. 43

! Ärge pange raami kokku, kui esiratta pöörlemisriiv on lukustatud.

! Ettepoole suunatud asendiga istmega jalutuskäru seisab püsti, kui käepide on kõrgeimas asendis.

Tarvikute kasutamine

Sõltuvalt piirkonnast võivad tarvikud olla saadaval eraldi või üldse mitte.

Vihmakaitse kasutamine

Vaadake pilti 44

Vihmakaitse kasutamiseks pange see istme ümber.

! Kui kasutate vihmakaitset, kontrollige kindlasti õhuvahetust selle all.

! Kui te vihmakaitset enam ei kasuta, puhastage ja kuivatage seda enne kokkuvoltimist.

! Ärge pange jalutuskäru kokku, kui vihmakaitse on paigaldatud.

! Kuuma ilma korral ärge pange last jalutuskäru, kui vihmakaitse on sellele paigaldatud.

Kasutamine koos turvahälliga

vt pilte 45 - 46

Kasutamisel koos Joie turvahälliga või mudelite i-Snug 2 ja i-Gemm 3 ja i-Level Recline ja i-Jemini ja Gemm korral järgige järgmisi juhiseid.

! Klõpsatus annab märku, et adapter on korralikult fikseeritud.

! Turvahälli kallet saab reguleerida vastavate adapterite abil. 47

! Adapteril on 3 asendit. Ärge toodet kasutage, kui lapse pea jääb turvaistmes tema jalgadest madalamale.

! Vajadusel juhendage kasutatava turvahälli kasutusjuhendist.

! Ärge pange jalutuskäru kokku, kui turvahäll on selle külge kinnitatud.

Kasutage koos Joie Ramble, Ramble XL kandehälliga

vt pilte 50 - 53

Kasutamisel koos Joie kandehälliga Ramble või Ramble XL juhinduge järgmistest juhistest.

! Vajadusel juhinduge kasutatava kandeistme kasutusjuhendist.

! Ärge toodet kasutage, kui lapse pea jääb kandehällis tema jalgadest madalamale.

! Koos kandehälliga kasutage alati madratsit.

! Ärge pange jalutuskäru kokku, kui sellele on paigaldatud kandehäll.

Kasutamine koos Joie Calmi kandehälliga

vt pilte 54 - 57

Kasutamisel koos autovoodiga Joie Calmi kandehällil vastavalt järgmistele juhistele.

! Klõpsatus annab märku, et adapter on korralikult fikseeritud.

! Koos kandehälliga kasutage alati madratsit.

! Enne kandehälli paigaldamist kontrollige, kas kandehälli põhjas olev võrk on korralikult kinnitatud.

! Vajadusel juhinduge kasutatava kandeistme kasutusjuhendist.

! Ärge pange jalutuskäru kokku, kui kandeiste on selle külge kinnitatud.

Pehmete osade eemaldamine ja paigaldus

vt pilte 58 - 60

1. Eemaldage tugikaar; vt 62

2. Avage istme all olev pannal. 63

Istme pehmete osade paigaldamisel järgige ülaltoodud samme vastupidises järjekorras 63 - 60

Puhastamine ja hooldus

Vaadake pilti 64

! Puhastage jalutuskäru raami ainult seebi ja sooja veega. Ärge kasutage valgendit ega pesuainet. Jalutuskäru kanga puhastamisel järgige hooldussildi juhiseid.

! Enne seadme pesemist eemaldage pehmed osad. Ärge kasutage valgendit. Ärge pöörake istmekatet ja sisepolstrit kiiremaks kuivatamiseks ümber. Istmekate ja sisemine polster võib jääda kortsu.

! Kontrollige jalutuskäru aeg-ajalt lahti tulnud kruvide, kulunud osade, rebenenud materjali ja õmbluste suhtes. Vahetage osad vajadusel välja või parandage. Puhastage plastist osi aeg-ajalt pehme niiske lapiga. Kuivatage metalloosi alati rooste vältimiseks, kui jalutuskäru on saanud märjaks.

! Hooldamine päikese käes või kuumas kohas võib põhjustada osade pleekimist või deformeerumist.

! Kui jalutuskäru saab märjaks, avage katus ja laske kärul enne hoiule panekut korralikult kuivada.

! Kui rattad kriuksuvad, kasutage vedelat õli (nt silikoonõli, roostetõrjeõli või õmblusmasinaõli). Õli peab jõudma telje ja ratta vahele. 65

! Kui kasutate jalutuskäru rannas vm liivases/tolmuses kohas, puhastage käru pärast kasutamist, eemaldades mehhaaniliselt osadelt ja ratastelt liiva ja soola.

LV Laipni lūdzam Joie™

Apsveicam, ka kļuvāt par daļu no Joie ģimenes! Mēs esam tik priecīgi būt par daļu no jūsu un mazuļa dzīves. Braucot ar Joie Alore, izmantojat augstas kvalitātes, pilnībā sertificētus ratiņus, kas apstiprināti ar Eiropas drošības standartu EN 1888-2:2018+A1:2022. Šis izstrādājums ir piemērots bērniem līdz 22 kg vai 4 gadu vecumam (atkarībā no tā, kurš no lielumiem ir pirmais). Rūpīgi izlasiet šo rokasgrāmatu un ievērojiet katru darbību, lai bērnam nodrošinātu ērtu braucienu un aizsardzību.

SVARĪGI! RŪPĪGI IZLASIET UN SAGLABĀJIET TOS TURPMĀKĀM UZZIŅĀM.

Apmeklējiet vietni joiebaby.com, lai lejupielādētu rokasgrāmatas un skatītu vairāk Joie izstrādājumu.

Garantijas informāciju skatiet mūsu tīmekļa vietnē joiebaby.com

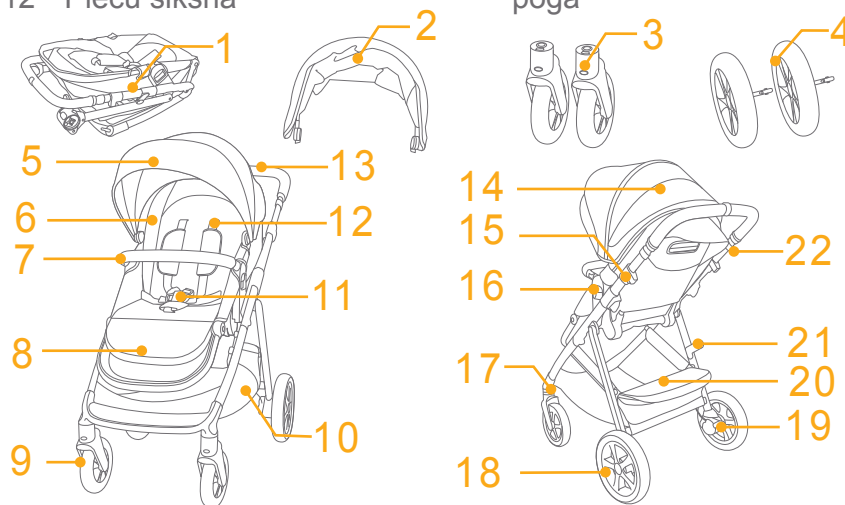
Ārkārtas situācija

Ārkārtas situācijā vai nelaiemes gadījumā vissvarīgāk ir nekavējoties bērnam sniegt pirmo palīdzību un medicīnisko palīdzību.

Detalju saraksts

Pirms salikšanas pārlicinieties, vai visas detaļas ir pieejamas. Ja kādas detaļas trūkst, sazinieties ar vietējo izplatītāju. Montāžai nav nepieciešami papildu rīki.

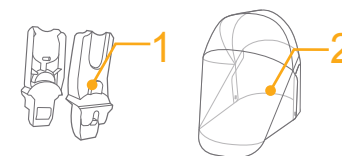
- | | |
|--------------------------|-------------------------------|
| 1. Ratiņu rāmis | 13. Rokturis |
| 2. Jumtiņš | 14. Jumtiņa lodziņš |
| 3. Priekšējais ritenis | 15. Nolocīšanas poga |
| 4. Aizmugurējais ritenis | 16. Sēdekļa atbrīvošanas poga |
| 5. Jumtiņš | 17. Grozīšanas fiksators |
| 6. Sēdekļa paliktnis | 18. Aizmugurējais ritenis |
| 7. Elkoņu atbalsts | 19. Bremzes svira |
| 8. Apakšstilba balsts | 20. Uzglabāšanas maiss |
| 9. Priekšējais ritenis | 21. Uzglabāšanas fiksators |
| 10. Uzglabāšanas grozs | 22. Roktura pielāgošanas poga |
| 11. Sprādze | |
| 12. Plecu sikсна | |



Piederumi

(var nebūt ietverti)

- 1 Adapteris (noteiktiem modeļiem)
- 2 Lietus pārsegs (noteiktiem modeļiem)



Atkarībā no reģiona piederumi, iespējams, tiek pārdoti atsevišķi vai nav pieejami.

BRĪDINĀJUMS

- ! Vienmēr lietojiet piesprādzēšanās sistēmu. Drošības jostas un pasīvās drošības aprīkojums ir jālieto pareizi.
- ! Pirms izmantošanas pārliedzinieties, vai visas fiksēšanas ierīces ir aktīvas.
- ! Neļaujiet bērnam spēlēties ar šo izstrādājumu.
- ! Pirms lietošanas pārbaudiet, vai ratiņu rāmis, sēdekļis un automašīnas sēdekļa palīgierīces ir pareizi nofiksētas.
- ! Salikšana jāveic pieaugušajam.
- ! Šis produkts ir ieteicams bērniem, kas jaunāki par 22 kg vai 4 gadiem, atkarībā no tā, kurš nosacījums iestājas pirmais.
- ! Lai novērstu bīstamus, nestabilus apstākļus, nenovietojiet uzglabāšanas grozā vairāk par 4,5 kg.
- ! Nekad neatstājiet bērnu bez uzraudzības. Vienmēr uzraugiet bērnu, kad tas atrodas ratiņos.
- ! Lietojiet ratiņus vienlaikus tikai vienam bērnam. Nekad nenovietojiet somas, iepirkumu maisiņus, paciņas un piederumus uz roktura vai jumtiņa.
- ! Nedrīkst izmantot piederumus, kurus nav apstiprinājis ražotājs. Drīkst izmantot tikai ražotāja piegādātās vai ieteiktās rezerves daļas.
- ! Pārslogošana, nepareiza salocīšana un citu ražotāju komponentu detaļu izmantošana var radīt ratiņu bojājumus, salūšanu un drošības zudumu. Rūpīgi izlasiet šo lietošanas rokasgrāmatu.
- ! Pirms izstrādājuma lietošanas pilnībā izlasiet visus šajā lietošanas rokasgrāmatā sniegto informāciju. Saglabājiet rokasgrāmatu izmantošanai vēlāk. Šo brīdinājumu un norādījumu neievērošana var izraisīt nopietnas traumas vai nāvi.
- ! Lai izvairītos no nopietnām traumām, nokrītot vai izslīdot, vienmēr lietojiet drošības jostu.
- ! Regulējot ratiņus, pārliedzinieties, vai bērna ķermenis nesaskaras ar kustīgām detaļām.

- ! Pirms atļaut bērnam atrasties blakus ratiņiem, pārliedzinieties, vai ratiņi ir pilnībā atvērti vai salocīti.
- ! Ja netiek izmantotas siksnas, bērns var ieslīdēt kāju atverēs un nožņaugties.
- ! Nekad nelietojiet ratiņus uz kāpnēm vai eskalatoriem.
- ! Nenovietojiet karstu objektu, šķidrumu un elektronisko ierīču tuvumā.
- ! Nekad neļaujiet bērnam stāvēt uz ratiņiem un sēdēt ratiņos ar galvu uz leju.
- ! Nekad nenovietojiet ratiņus uz ceļiem, slīpumos un bīstamās zonās.
- ! Lai izvairītos no žņaugšanas riska, NENOVIETOJIET nekādus priekšmetus ar siksnu ap bērna kaklu, nepiekariet siksnas pie šī izstrādājuma un nepievienojiet siksnas pie rotaļlietām.
- ! Jebkāds uz roktura un/vai atzveltnes aizmugurē un/vai ratiņu sānos uzstādīts svars var ietekmēt ratiņu stabilitāti.
- ! NECELIET ratiņus, kamēr bērns atrodas ratiņos.
- ! NELIETOJIET uzglabāšanas grozu kā bērnu pārnēsātāju.
- ! Lai novērstu apgāšanos, nekad neļaujiet bērnam kāpt uz ratiņiem. Vienmēr ieceliet bērnu ratiņos un izceliet no tiem.
- ! Lai izvairītos no pirkstu iespiešanas, rīkojieties uzmanīgi, kad salokat un atlokat ratiņus.
- ! Lai izvairītos no traumām, nodrošiniet, ka izstrādājuma salocīšanas laikā bērns neatrodas tuvumā.
- ! Lai garantētu bērna drošību, pirms ratiņu lietošanas pārliedzinieties, vai visas detaļas ir pareizi uzstādītas un nostiprinātas.
- ! Lai izvairītos no žņaugšanas, pārliedzinieties, ka bērns nav aizķēries aiz jumtiņa.
- ! Kad novietojat ratiņus, vienmēr nofiksējiet bremzes.
- ! Pārtrauciet ratiņu lietošanu, ja tie ir bojāti vai salūzuši.

- ! Ratiņus drīkst izmantot tikai iešanas ātrumā. Šo izstrādājumu nav paredzēts izmantot skriešanai.
- ! Lai izvairītos no smakšanas, pirms izstrādājuma lietošanas noņemiet plastmasas maisiņus un iepakojumu. Plastmasas maisiņu un iepakojuma materiāls pēc tam ir jāuzglabā zīdaiņiem un bērniem nepieejamā vietā.
- ! Šis izstrādājums nav piemērots skriešanai vai skeitošanai.
- ! Saliekamos ratiņus, kas paredzēti lietošanai kopš dzimšanas, jaundzimušajiem ieteicams izmantot visvairāk atlikto stāvokli.
- ! Ievietojot un izņemot bērnu, bremzēm ir jābūt nofiksētām.
- ! Zīdaiņu stiprinājumiem, ko lieto kopā ar rāmi, šie ratiņi neaizstāj bērnu gultiņu vai gultu. Ja bērnam ir jāguļ, viņš ir jāievieto atbilstošos ratos, šūpulī vai gultiņā.
- ! Pārnēsātāju nedrīkst izmantot. Līdz bērns pats var sēdēt, apgāzties un var pacelt sevi uz rokām un kājām. Maksimālais bērna svars: 9 kg.
- ! NEIZMANTOJIET un nepievienojiet matraci, kurš nav piegādāts ar pārnēsātāju.
- ! Neuzstādiet nekādus priekšmetus uz roktura, sēdekļa atzveltnes un ratiņu sānos. Jebkāds papildu svars var ietekmēt ratiņu stabilitāti un radīt ratiņu apgāšanos.
- ! Papildu matracis nav jāpievieno, ja ražotājs to neiesaka.
- ! Nelokiet rāmi, kad sēdeklis ir vērsts uz aizmuguri.

Ratiņu montāža

(Skatiet attēlus 1.-12. lappusē)

Pirms šī izstrādājuma salikšanas un lietošanas pilnībā izlasiet visu šajā lietošanas rokasgrāmatā sniegto informāciju.

Ratiņu atvēršana

skatiet attēlus 1 - 3

Atdaliet uzglabāšanas fiksatoru no uzglabāšanas stiprinājuma 1 un pēc tam paceliet rokturi augšup 2, klikšķis nozīmē, ka ratiņi ir pilnībā atvērti.

! Nospiediet pēdu balstu uz leju un atiestatiet to. 3 - 1

! Uzstādiet pogu zem apakšstilba atbalsta. 4 - 2

! Pirms turpināt lietošanu, pārbaudiet, vai ratiņi ir pilnībā nofiksēti.

Priekšējā riteņa uzstādīšana un noņemšana

skatiet attēlus 4 - 5

Aizmugurējā riteņa uzstādīšana un noņemšana

skatiet attēlus 6 - 8

Jumtiņa uzstādīšana

skatiet attēlus 9 - 10

Roku balsta uzstādīšana un noņemšana

skatiet attēlus 11 - 12

Pilnībā salikti ratiņi ir redzami kā 13

Ratiņu lietošana

Atzveltnes regulēšana

skatiet attēlus 14 - 15

Atzveltni pieejami 5 slīpuma leņķi.

Atzveltnes nolaišana

Lai nolaištu atzveltni, saspiediet nolaišanas rokturi sēdekļa aizmugurē. 14

Atzveltnes pacelšana

Lai paceltu atzveltni, spiediet to augšup. 15

! Pārliecinieties, vai slīpums ir iestatīts pareizi.

! Uzglabāšanas kabatas maksimālais svars atzveltnes aizmugurē ir 0,45 kg.

Sprādzes lietošana

skatiet attēlus 16 - 17

Sprādzes atbrīvošana

Nospiediet centrālo pogu, lai atbrīvotu sprādzi. 16

Sprādzes fiksēšana

Salāgojiet jostas siksnas sprādzi ar plecu siksnas sprādzi 17 - 1 un ar klikšķi savienojiet ar centrālo sprādzi. 17 - 2 "Klikšķis" norāda, ka sprādze ir pilnībā nofiksēta. 17 - 3

! Lai izvairītos no nopietnām traumām, nokrītot vai izslīdot, vienmēr nostipriniet bērnu ar drošības aprīkojumu.

! Pārliecinieties, vai bērns ir cieši nostiprināts. Vietai starp bērnu un plecu siksnu ir jābūt aptuveni rokas biezumam.

! Nekrustojiet plecu siksnas. Tas var radīt spiedienu uz bērna kaklu.

Plecu un jostas vietas siksnas lietošana

skatiet attēlus 18 - 21

! Lai aizsargātu bērnu no izkrišanas, pēc bērna ievietošanas krēslā pārbaudiet, vai plecu un jostas siksnas atrodas atbilstošā augstumā un ir atbilstoša garuma.

18 - 1 Plecu siksnas stiprinājums A

18 - 2 Plecu siksnas stiprinājums B

18 - 3 Bīdāms pielāgotājs

Lielam bērnam izmantojiet pleca siksnas stiprinājumu A un augstākās plecu gropes. Mazam bērnam izmantojiet pleca siksnas stiprinājumu B un zemākās pleca gropes.

! Pleca siksnas stiprinājumu var pielāgot no augšējās atveres, kas aizvērta ar stiprinājumiem vai zem kabatas.

19 - 1

Lai pielāgotu plecu siksnas stiprinājuma pozīciju, pagrieziet stiprinājumu vienā līmenī ar to pusi, kas ir uz priekšu. Izvelciet caur plecu siksnas atveri no aizmugures uz priekšu. 19 Izvelciet to caur spraugu, kas ir vistuvāk bērna pleca augstumam. 20

Izmantojiet bīdāmo pielāgotāju, lai mainītu siksnas garumu. 21 - 1

Nospiediet pogu 21 - 2, velkot jostas siksnu atbilstošajā garumā. 21 - 3

Apakšstilba atbalsta regulēšana

skatiet attēlus 22 - 23

Apakšstilba atbalstam ir 2 pozīcijas.

Lai paceltu apakšstilba atbalstu, spiediet to uz augšu. 22 "Klikšķis" norāda, ka teļš ir pilnībā nofiksēts.

Lai nolaiestu apakšstilba atbalstu, abās apakšstilba atbalsta 23 - 1 pusēs nospiediet regulēšanas pogas un grieziet apakšstilba atbalstu uz leju. 23 - 2

Priekšējā grozāmā fiksatora lietošana

sk. attēlu 24

Bloķēta vai atbloķēta priekšējā riteņa statuss kā 24.

Padoms Grozāmo fiksatoru ieteicams izmantot uz nelīdzenām virsmām.

Bremžu lietošana

skatiet attēlus 25 - 26

Lai nofiksētu riteņus, nospiediet ar kāju bremžu sviru uz leju. 25

Lai atbrīvotu riteņi, vienkārši paceliet bremžu sviru uz augšu. 26

Padoms Vienmēr aktivizējiet stāvbremzes, kad ratiņi nepārvietojas.

Jumtiņa lietošana

skatiet attēlus 27 - 28

Jumtiņu var atvērt vai aizvērt, velkot uz priekšu vai atpakaļ.

Jumtiņu iespējams pilnībā atvērt, lai aizsargātu bērnu no saules, vienkārši attaisiet rāvējslēdzēju 27 un pēc tam velciet jumtiņu uz priekšu.

Uz jumtiņa ir logs, caur kuru varat redzēt bērnu. 28

Roktura regulēšana

sk. attēlu 29

Rokturim ir 3 pozīcijas.

Sēdekļa augstuma regulēšana

Skatiet attēlus 30 - 31

Sēdeklim ir 3 pozīcijas.

Velciet sēdekli augšup, lai palielinātu sēdekļa augstumu. 30

Spiediet sēdekļa augstuma regulēšanas pogu un velciet augšup, pēc tam spiediet lejup, lai samazinātu sēdekļa augstumu. 31

Sēdekļa pārslēgšana

Skatiet attēlus 32 - 33

Sēdekli var apgriezt, kas nodrošina iespēju mātei un bērnam skatīties vienam uz otru.

Nospiediet sēdekļa atbrīvošanas pogas, vienlaikus ceļot sēdekli. Grieziet sēdekli apgrieztā stāvoklī un ievietojiet sēdekli uz sēdekļa stiprinājumiem.

Abiem sēdekļa stiprinājumiem ir jābūt 33 parādītajā līmenī, ja rodas 34 un 35 situācija, spiediet lejup, lai samazinātu sēdekļa augstumu un pārliecinātos, ka abi sēdekļa stiprinājumi ir vienā līmenī. 36

Uzglabāšanas groza lietošana

sk. attēlu 39

Lai novērstu bīstamus, nestabilus apstākļus, novietojiet uzglabāšanas grozā vairāk par 4,5 kg uzglabāšanas maisā un uzglabāšanas maisā.

Ratiņu salocīšana

skatiet attēlus 40 - 43

! Pirms ratiņu salocīšanas salokiet jumtiņu.

Spiediet salocīšanas pogu un velciet augšup, 40 pēc tam grieziet rokturi lejup, 41 salocīšanas fiksators var nofiksēties automātiski. 42

! Ja sēdekļis atrodas zemākajā pozīcijā, tas var salocīšanas laikā noslīdēt uz leju, lai nodrošinātu, ka fiksators automātiski nofiksējas.

! Nelokiet rāmi, kad sēdekļis ir vērstš uz aizmuguri. 43

! Nelokiet rāmi, kad ir nofiksēts priekšējā riteņa grozīšanas fiksators.

! Ratiņi ar uz priekšu vērstu sēdekli var stāvēt, kad rokturis ir augšējā pozīcijā.

Piederumu lietošana

Atkarībā no reģiona piederumi, iespējams, tiek pārdoti atsevišķi vai nav pieejami.

Lietus pārsega lietošana

sk. attēlu 44

Lai saliktu lietus pārsegu, novietojiet to pāri sēdeklim.

! Kad izmantojat lietus pārsegu, vienmēr pārbaudiet tā ventilāciju.

! Kad netiek izmantots, vienmēr pārbaudiet, vai pirms salocīšanas lietus pārsegs ir nofiksēts un izzāvēts.

! Nesalokiet ratiņus, kad ir uzstādīts lietus pārsegs.

! Karstā laikā neievietojiet bērnu ratiņos, kuriem uzstādīts lietus pārsegs.

Lietošana ar zīdaiņu/bērnu stiprinājumiem

skatiet attēlus 45 - 46

Kad lieto ar Joie zīdaiņu/bērnu stiprinājumiem i-Snug 2, i-Gemm 3, i-Level Recline, i-Jemini un Gemm, skatiet šo lietošanas rokasgrāmatu.

! "Klikšķis" norāda, ka adapteris ir pilnībā nofiksēts.

! Zīdaiņu stiprinājuma leņķi var pielāgot ar pielāgojamiem adapteriem. 47

! Adapterim ir 3 pozīcijas. Nelietojiet izstrādājumu, kad pēc zīdaiņu stiprinājuma bērna galva ir zemāk par kājām.

! Ja rodas kādas problēmas ar zīdaiņu/bērnu stiprinājuma lietošanu, skatiet to lietotāja rokasgrāmatas.

! Nesalokiet ratiņus, kad ir uzstādīts zīdaiņu/bērnu stiprinājums.

Izmantojiet ar Joie Ramble, Ramble XL Carry Cot

skatiet attēlus 50 - 53

Kad izmantojat ar Joie pārnēsātāju ramble, ramble xl, skatiet šo lietošanas rokasgrāmatu.

! Ja rodas kādas problēmas ar pārnēsātāja lietošanu, skatiet to lietotāja rokasgrāmatas.

! Nelietojiet izstrādājumu, kad pēc pārnēsātāja stiprināšanas bērna galva ir zemāk par kājām.

! Vienmēr ar pārnēsātāju lietojiet matraci.

! Nesalokiet ratiņus, kad uzstādīts pārnēsātājs.

Izmantošana ar Joie Calmi pārnēsātāju

skatiet attēlus 54 - 57

Kad izmantojat ar Joie Calmi pārnēsātāju, skatiet norādījumus tālāk.

! "Klikšķis" norāda, ka adapteris ir pilnībā nofiksēts.

! Vienmēr ar pārnēsātāju lietojiet matraci.

! Pirms pārnēsātāja uzstādīšanas pārbaudiet, vai tīkls pārnēsātāja apakšā ir pareizi nostiprināts.

! Ja rodas kādas problēmas ar pārnēsātāja lietošanu, skatiet to lietotāja rokasgrāmatas.

! Nesalokiet ratiņus, kad ir uzstādīts zīdaiņu/bērnu pārnēsātājs.

Mīksto paliktņu noņemšana un uzlikšana

skatiet attēlus 58 - 63

1. Noņemiet roku balstu, kā redzams 42

2. Atveriet sprādzi, kas atrodas sēdekļa apakšā. 63

Lai atkārtoti uzliktu mīkstos paliktņus, apgrieztā secībā izpildiet iepriekš aprakstītās darbības 63 - 58

Tīrīšana un apkope

sk. attēlu 64

! Lai tīrītu ratiņu rāmi, lietojiet tikai mājāsaimniecības ziepes un siltu ūdeni. Nelietojiet balinātāju un mazgāšanas līdzekli. Norādījumus par ratiņu auduma daļu tīrīšanu skatiet kopšanas etiķetē.

! Noņemamos mīkstos paliktņus var mazgāt veļas mazgājamajā mašīnā. Nelietojiet balinātāju. Negrieziet sēdekļa pārsegu un iekšējo paliktņi, lai izžmiegātu mitrumu. Tas var atstāt uz sēdekļa pārsega un iekšējā paliktņa krokas.

! Laiku pa laikam pārbaudiet, vai ratiņiem nav atbrīvojušās skrūves, nodilušas detaļas, saplīsis materiāls un šuves. Nomainiet vai salabojiet detaļas, ja nepieciešams. Periodiski noslaukiet plastmasas detaļas ar mitru drānu. Vienmēr nožāvējiet metāla detaļas, lai novērstu rūsas rašanos, ja ratiņi nonāk saskarē ar ūdeni.

! Pārmērīga saules vai karstuma iedarbība var izraisīt daļu izbalēšanu vai deformāciju.

! Ja ratiņi kļūst mitri, pirms uzglabāšanas atveriet jumtiņu un ļaujiet tam nožūt.

! Ja riteņi čīkst, izmantojiet vieglu eļļu (piemēram, silikona aerosolu, pretrūsas eļļu vai šujmašīnas eļļu). Svarīgi, lai eļļa iekļūtu asī un riteņos. 64

! Lietojot ratiņus pludmalē vai citās smilšainās/putekļainās vietās, pēc lietošanas pilnībā notīriet ratiņus, lai smiltis un sāļi noņemtu no mehānismiem un riteņiem.

LT Sveiki! Tai – „Joie™“!

Sveikiname tapus „Joie“ šeimos dalimi! Mes labai džiaugiamės galėdami būti jūsų ir jūsų mažylio kelionės dalimi. Naudodami „Joie Alore“ džiaugsitės visapusiškai sertifikuotu aukštos kokybės vaikišku vežimėliu, patvirtintu pagal Europos saugos standartus EN 1888-2:2018+A1:2022. Šis gaminys tinka vaikams iki 22 kg svorio arba 4 metų amžiaus, atsižvelgiant į tai, kas įvyksta pirmiau. Atidžiai perskaitykite šią naudojimo instrukciją ir vykdykite kiekvieną veiksmą, kad užtikrintumėte patogų vežiojimą ir geriausią vaiko apsaugą.

SVARBU! ATIDŽIAI PERSKAITYKITE IR IŠSAUGOKITE ATEIČIAI.

Apsilankykite mūsų svetainėje joiebaby.com ir atsisiųskite naudojimo instrukcijas bei pasidomėkite kitais įdomiais „Joie“ gaminiais!

Informacijos apie garantiją rasite apsilankę mūsų tinklapyje joiebaby.com.

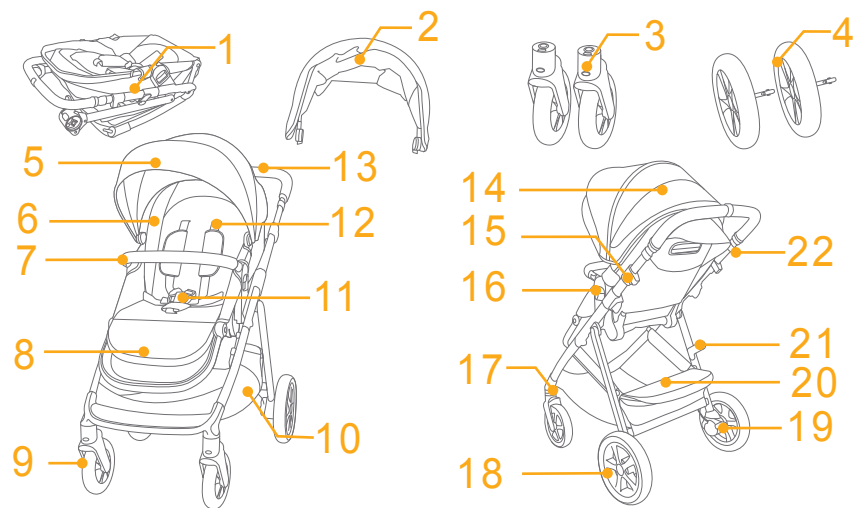
Skubus atvejis

Skubaus arba nelaimingo atsitikimo atveju svarbiausia, kad jūsų vaikui būtų nedelsiant suteikta pirmoji pagalba ir medicininis gydymas.

Dalių sąrašas

Prieš surinkdami įsitikinkite, kad yra visos dalys. Jei trūksta kurios nors dalies, susisieki su pardavėju. Gaminii surinkti nereikia jokių įrankių.

- | | | | |
|----|--------------------------|----|-------------------------------|
| 1 | Vaikiško vežimėlio rėmas | 13 | Rankena |
| 2 | Stogelis | 14 | Stoglangis |
| 3 | Priekinis ratas | 15 | Sudėjimo mygtukas |
| 4 | Užpakalinis ratas | 16 | Sėdynės atlaisvinimo mygtukas |
| 5 | Stogelis | 17 | Šarnyro fiksatorius |
| 6 | Minkštoji sėdynės dalis | 18 | Užpakalinis ratas |
| 7 | Ranktūris | 19 | Stabdžių svirtis |
| 8 | Blauzdų atrama | 20 | Krepšys daiktams |
| 9 | Priekinis ratas | 21 | Krepšio fiksatorius |
| 10 | Krepšys daiktams | 22 | Rankenos reguliavimo mygtukas |
| 11 | Sagtis | | |
| 12 | Perpetinis diržas | | |

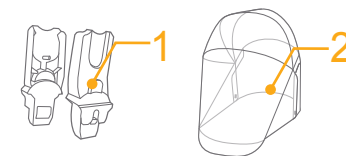


Priedai

(gali būti įsigijami atskirai)

- 1 Adapteris (tam tikruose modeliuose)
- 2 Danga nuo lietaus (tam tikruose modeliuose)

Priedai gali būti parduodami atskirai arba visai neparduodami, atsižvelgiant į regioną.



ĮSPĖJIMAS

- ! Visada naudokite apsauginę sistemą. Privaloma tinkamai naudoti saugos diržus ir tvirtinimo sistemas.
- ! Prieš naudodami įsitikinkite, kad visi fiksavimo įtaisai yra užfiksuoti.
- ! Neleiskite vaikui žaisti su šiuo gaminiu.
- ! Prieš naudodami patikrinkite, ar vežimėlio rėmo, sėdynės arba automobilinės kėdutės tvirtinimo įtaisai yra tinkamai užfiksuoti.
- ! Gaminį privalo surinkti suaugęs asmuo.
- ! Šis produktas rekomenduojamas vaikams iki 22 kg arba 4 metų, atsižvelgiant į tai, kas įvyksta anksčiau.
- ! Į krepšį daiktams laikyti nedėkite daugiau nei 4,5 kg, kad nekiltų pavojingų sąlygų ir vežimėlis neprarastų stabilumo.
- ! Niekada nepalikite vaiko be priežiūros. Veždami vaiką vežimėlyje, visada jį stebėkite.
- ! Vežimėlyje vienu metu vežkite tik vieną vaiką. Niekada nedėkite piniginių, pirkinių krepšių, siuntinių ar aksesuarų ant rankenos ar stogelio.
- ! Draudžiama naudoti gamintojo nepatvirtintus priedus. Rekomenduojama naudoti tik pateiktąsias arba gamintojo rekomenduojamas atsargines dalis.
- ! Perkrautas, netinkamai sudėtas ar naudojamas su kitų gamintojų dalimis, vežimėlis gali būti sugadintas, sulaužytas arba nesaugus. Atidžiai perskaitykite naudojimo instrukciją.
- ! Prieš naudodamiesi gaminiu, atidžiai perskaitykite jo naudojimo instrukciją. Išsaugokite naudojimo instrukciją ateičiai. Nesilaikant šių atsargumo priemonių ir nurodymų, kyla sunkių sužalojimų arba mirties pavojus.
- ! Visada naudokite saugos diržą, kad vaikas neišslystų, nenukristų ir nesusižalotų.
- ! Reguluodami vežimėlį įsitikinkite, kad vaiko kūnas yra atokiai nuo judančių dalių.

- ! Neleiskite vaiko prie vežimėlio, kol įsitikinkite, kad jis yra visiškai atlenktas ir sudėtas.
- ! Jei perpetinis diržas nebus naudojamas, vaikas gali netyčia įkišti kojas į angas ir pasismaugti.
- ! Niekada nevežkite vežimėlio laiptais ar eskalatoriumi.
- ! Saugokite vežimėlį nuo aukštos temperatūros daiktų, skysčių ir elektronikos prietaisų.
- ! Niekada neleiskite vaikui stovėti vežimėlyje ir sėdėti vežimėlyje galva į priekį.
- ! Niekada nestatykite vežimėlio ant kelio, šlaito ar pavojingoje vietoje.
- ! NEKABINITE vaikai ant kaklo daiktų ant virvelių, nekabinkite ant vežimėlio grandinėlių ir nepritvirtinkite žaislų raišteliais, kad vaikas netyčia nepasismaugtų.
- ! Bet kokia apkrova, pritvirtinta prie rankenos ir (arba) atlošo galo ir (arba) vežimėlio šonų, turės įtakos vežimėlio stabilumui.
- ! NEKELKITE vežimėlio, kol jame yra vaikas.
- ! NENAUDOKITE daiktams skirto krepšio vaikui nešti.
- ! Niekada neleiskite vaikui pačiam lipti į vežimėlį, kad vežimėlis neapvirstų, Visada patys įkelkite vaiką į vežimėlį ir iškelkite iš jo.
- ! Būkite atsargūs sudėdami ir išlankstydami vežimėlį, kad neprispaustumėte pirštų.
- ! Išlankstydami ir sudėdami šį gaminį užtikrinkite, kad vaikas būtų atokiai, kad išvengtumėte sužalojimų.
- ! Norėdami užtikrinti vaiko saugumą, prieš naudodami vežimėlį įsitikinkite, kad visos dalys yra tinkamai surinktos ir pritvirtintos.
- ! Vaikas privalo neliesti stogelio, kad netyčia nepasismaugtų.
- ! Pastatydami vežimėlį, visada įjunkite stabdžius.
- ! Nenaudokite vežimėlio, jei jis yra sugadintas ar sulaužytas.

- ! Vežimėlį galima naudoti tik einant įprastu greičiu. Šis gaminys neskirtas naudoti bėgiojant.
- ! Prieš pradėdami naudoti šį gaminį, nuimkite plastikinį maišelį ir pakavimo medžiagas, kad vaikas neuždustų. Plastikinį maišelį ir pakavimo medžiagas reikia laikyti kūdikiams ir vaikams nepasiekiamoje vietoje.
- ! Šis gaminys nėra tinkamas naudoti bėgiojant ar čiuožiant.
- ! Vaikiškas vežimėlis skirtas naudoti nuo pat gimimo; naujagimiams atlošą rekomenduojama visiškai nuleisti.
- ! Sodinant ar guldant vaikus ir iškeliant juos iš vežimėlio, privaloma įjungti vežimėlio stabdžius.
- ! Naudojant šį vežimėlį su automobilinėmis kėdutėmis ar išimamais lopšiais, jis neatstoja vaikiškos lovelės ar lovos. Jei jūsų vaikui reikia miegoti, jį privaloma paguldyti į tam tinkamą vaikišką vežimėlį, vaikišką lovelę ar lovą.
- ! Nešiojamojo lopšio naudoti negalima, vos tik vaikas sugeba pats atsisėsti, apsiversti ir atsikelti, pasiremdamas rankomis ir keliais. Maksimalus vaiko svoris: 9 kg.
- ! NENAUDOKITE ir nepridėkite jokių čiužinukų, išskyrus pateiktąjį su nešiojamuoju lopšiu.
- ! Nedėkite jokių daiktų ant vežimėlio rankenos, sėdynės atlošo ar šonų. Bet kokia papildoma apkrova turės įtakos vežimėlio stabilumui, todėl vežimėlis galės pasvirti ir apvirsti.
- ! Negalima tiesti papildomų čiužinukų, nebent tai rekomenduotų gamintojas.
- ! Jei sėdynė bus nukreipta į galą, vežimėlio sudėti nepavyks.

Vaikiško vežimėlio surinkimas

(Žr. 1-12 puslapiuose esančius paveikslėlius)

Prieš surinkdami šį gaminį ir juo naudodamiesi, atidžiai perskaitykite visą naudojimo instrukciją.

Vežimėlio išlankstymas

Žr. 1 – pav. 6

Atlenkite fiksavimo skląstį 1, tada pasukite rankeną 2 aukštyn – pasigirdęs spragtelėjimas reikš, kad vežimėlis yra visiškai paruoštas išskleisti.

! Paspauskite pakoją žemyn ir nustatykite iš naujo. 6 - 1

! Užfiksukite mygtuką po blauzdų atrama. 6 - 2

! Prieš naudodami, patikrinkite, ar vaikiškas vežimėlis yra visiškai užfiksuotas.

Priekinių ratukų sumontavimas ir išmontavimas

Žr. 4 – pav. 6

Galinių ratukų sumontavimas ir išmontavimas

Žr. 6 – pav. 6

Stogelio montavimas

Žr. 9 – pav. 10

Ranktūrio sumontavimas ir išmontavimas

Žr. 11 – pav. 12

Visiškai surinktas vežimėlis privalo atrodyti taip, kaip pavaizduota 16

Vaikiško vežimėlio naudojimas

Nugaros atlošo reguliavimas

Žr. 14 – pav. 15

Nugaros atlošą galima atlošti 5 kampais.

Nugaros atlošo atlošimas

Norėdami atlošti atlošą, suspauskite atlošimo rankeną ant sėdynės atlošo, tada patraukite atlošą žemyn. 14

Nugaros atlošo pakėlimas

Jei nugaros atlošą norite pakelti, pastumkite jį aukštyn. 15

! Įsitikinkite, kad atlošas yra tinkamai nustatytas.

! Į nugaros atlošo gale esantį krepšį galima dėti ne daugiau nei 0,45 kg svorio daiktų.

Sagties naudojimas

Žr. 16 – pav. 17

Atsekite sagtį

Paspauskite centrinį mygtuką, kad atsegtumėte sagtį. 16

Fiksavimo sąvara

Sudėkite juosmens diržo sagtį ir perperinio diržo sagtį 17 - 1 bei įkiškite į centrinę sagtį. 17 - 2 Pasigirdęs spragtelėjimas reiškia, kad sagtis yra tinkamai užsegta. 17 - 3

! Visada prisiekite vaiką diržais, kad jis neišslystų, nenukristų ir sunkiai nesusižalotų.

! Patikrinkite, ar vaikas yra tinkamai pritvirtintas, ar diržai neatsilaisvinę. Tarp vaiko ir perperinių diržų privaloma palikti maždaug vienos rankos pločio tarpą.

! Nesukryžiuokite perperinių diržų. Antraip galite suspausti vaiko kaklą.

Perpetinių ir juosmens diržų naudojimas

žr. 18 – pav. 21

! Kad vaikas neiškristų, pasodinę ar paguldę vaiką ant sėdynės, patikrinkite, ar perpetiniai ir juosmens diržai yra tinkamame aukštyje ir ar jie yra tinkamo ilgio.

18 - 1 Perpetinio diržo fiksatorius A

18 - 2 Perpetinio diržo fiksatorius B

18 - 3 Slankiojamasis reguliatorius

Didesniam vaikui naudokite perpetinių diržų fiksatorių A ir aukščiausiai esančias angas perpetiniams diržams. Mažesniam vaikui naudokite perpetinių diržų fiksatorių B ir žemiausiai esančias angas perpetiniams diržams.

! Perpetinių diržų fiksatoriaus padėtį galima reguliuoti pro viršutinę angą, kurią dengia tvirtinimo detalės, arba po kišene. 18 - 1

Norėdami sureguliuoti perpetinių diržų fiksatoriaus padėtį, pasukite fiksatorių taip, kad jo šonas būtų nukreiptas į priekį. Prakiškite jį pro perpetinių diržų angą iš galo į priekį. 18 Dar kartą perkiškite jį pro angą, kuri yra arčiausiai vaiko pečių aukščio. 20

Norėdami pakeisti diržų ilgį, naudokite slankiojamąjį reguliatorių. 20 - 1

Paspauskite mygtuką 20 - 2, tuo pat metu ištraukdami juosmens diržus iki tinkamo ilgio. 20 - 3

Blauzdų atramos reguliavimas

žr. 22 – pav. 23

Blauzdų atrama turi 2 padėtis.

Norėdami pakelti blauzdos atramą, pakelkite ją į viršų. 22 Pasigirdęs spragtelėjimas reiškia, kad blauzdų atrama yra tinkamai užfiksuota.

Norėdami nuleisti blauzdos atramą, paspauskite reguliavimo mygtukus abiejose blauzdos atramos pusėse 22 - 1 ir nuleiskite blauzdos atramą žemyn. 22 - 2

Priekinio šarnyro fiksatoriaus naudojimas

žr. pav. 24

Priekinis ratas blokuojamas arba atlaisvinamas, kaip pavaizduota 24.

Patarimas Važiuojant nelygiomis vietovėmis, šarnyrus rekomenduojama užfiksuoti, kad nesisukiotų.

Stabdžių naudojimas

žr. 25 – pav. 26

Norėdami užblokuoti ratukus, paspauskite stabdžių svirtį žemyn. 25

Norėdami atlaisvinti ratukus, tiesiog pakelkite stabdžių svirtį į viršų. 26

Patarimas Visada įjunkite stovėjimo stabdį, kai vežimėlis nejudą.

Stogelio naudojimas

žr. 27 – pav. 28

Stogelį galima pakelti arba nuleisti, traukiant jį į priekį arba atgal.

Stogelį galima visiškai išskleisti, kad jūsus vaikas būtų visiškai apsaugotas nuo saulės – tiesiog atsekite užtrauktuką 27 ir patraukite stogelį į priekį.

Stogelyje yra langelis, pro kurį galėsite matyti savo kūdikį. 28

Rankenos reguliavimas

žr. pav. 29

Rankeną galima nustatyti į 3 padėtis.

Sėdynės aukščio reguliavimas

žr. 30 – pav. 31

Kėdutė turi 3 padėtis.

Pakelkite sėdynę, kad ji būtų aukštesnė. 30

Paspauskite sėdynės aukščio reguliavimo mygtukus ir patraukite aukštyn, paskui stumkite žemyn, kad sumažintumėte sėdynės aukštį. 31

Sėdynės apsikimas

žr. 32 – pav. 33

Sėdynę galima apskuti, kad vaikas ir mama būtų atsisukę vienas į kitą.

Keldami sėdynę, laikykite nuspaudę sėdynės atlaisvinimo mygtukus. Pasukite sėdynę priešinga kryptimi ir įtaisykite sėdynę į sėdynės laikiklius.

Abu sėdynės laikikliai privalo būti vienodame aukštyje, kaip pavaizduota 33; jei jie yra 34 ir 35 pavaizduotose padėtyse, paspauskite sėdynės aukščio reguliavimo mygtuką ir patraukite aukštyn, tada paspauskite žemyn, kad nuleistumėte sėdynę ir abu laikikliai būtų vienodame aukštyje. 35

Krepšio daiktams naudojimas

žr. pav. 36

Į krepšį daiktams laikyti ir nedėkite daugiau nei 4,5 kg, kad nekiltų pavojingų sąlygų ir vežimėlis neprarastų stabilumo.

Vaikiško vežimėlio sudėjimas

žr. 40 – pav. 43

! Norėdami sudėti vežimėlį, pirmiausiai nuleiskite jo stogelį.

Paspauskite sudėjimo mygtuką ir patraukite aukštyn, 40, tada pasukite rankeną žemyn 41 ir fiksatorius automatiškai užsifikuos. 42

! Jei sėdynė bus apatinėje padėtyje, sudedant vežimėlį ji galės nusileisti žemyn, kad fiksatorius automatiškai užsifikuotų.

! Jei sėdynė bus nukreipta į galą, vežimėlio sudėti nepavyks. 43

! Jei priekinio rato šarnyras bus užblokuotas, rėmo sudėti nepavyks.

! Vežimėlis su jį priekį nukreipta sėdyne galės stovėti, jei rankena bus aukščiausioje padėtyje.

Priedų naudojimas

Priedai gali būti parduodami atskirai arba visai neparduodami, atsižvelgiant į regioną.

Dangos nuo lietaus naudojimas

žr. pav. 44

Norėdami naudoti lietaus dangą, uždėkite ją ant sėdynės.

! Naudodamiesi lietaus danga, visada tikrinkite, ar vaikui pakanka oro.

! Kai lietaus dangos nenaudojate, prieš ją sulankstydami, įsitikinkite, kad ji yra švari ir sausa.

! Nesudėkite vežimėlio, nenuėmę lietaus dangos.

! Nesodinkite ir neguldyskite vaiko į lietaus dangą uždengtą vežimėlį esant karštam orui.

Naudojimas su kūdikio lopšiu

žr. 45 – pav. 46

Naudodami „Joie“ kūdikių apsaugos sistemas „i-Snug 2“, „i-Gemm 3“, „i-Level Recline“ ir „i-Jemini & Gemm“, vadovaukitės toliau pateiktais nurodymais.

! Pasigirdęs spragtelėjimas reiškia, kad adapteris yra tinkamai užfiksuotas.

! Kūdikio apsaugos sistemos kampą galima reguliuoti mūsų reguliuojamais adapteriais. 47

! Adapteris turi 3 padėtis. Nenaudokite vežimėlio, jei pritvirtinus kūdikio apsaugos sistemą kūdikio galva yra žemiau nei kojos.

! Jei kiltų kokių nors problemų dėl kūdikio apsaugos sistemos naudojimo, skaitykite jų naudojimo instrukcijas.

! Nesudėkite vežimėlio, nenuėmę kūdikio apsaugos sistemos.

Naudojimas su nešiojamuoju lopšiu „Joie Ramble“, „Ramble XL“

žr. 49 – pav. 53

Naudodami „Joie“ nešiojamąjį lopšį „Ramble“ ar „Ramble xl“, vadovaukitės toliau pateiktais nurodymais.

- ! Jei kiltų kokių nors problemų dėl nešiojamojo lopšio naudojimo, skaitykite jo naudojimo instrukcijas.
- ! Nenaudokite vežimėlio, jei pritvirtinus nešiojamąjį lopšį kūdikio galva yra žemiau nei kojos.
- ! Naudodami nešiojamąjį lopšį, visada naudokite čiužinuką.
- ! Nesudėkite vežimėlio, jei prie jo yra pritvirtintas nešiojamasis lopšys.

Naudojimas su nešiojamuoju lopšiu „Joie Calmi“

žr. 54 – pav. 57

Naudodami „Joie Calmi“ nešiojamąjį lopšį, vadovaukitės toliau pateiktais nurodymais.

- ! Pasigirdęs spragtelėjimas reiškia, kad adapteris yra tinkamai užfiksuotas.
- ! Naudodami nešiojamąjį lopšį, visada naudokite čiužinuką.
- ! Prieš montuodami nešiojamąjį lopšį patikrinkite, ar tinkamai pritvirtintas nešiojamojo lopšio apačioje esantis tinklėlis.
- ! Jei kiltų kokių nors problemų dėl nešiojamojo lopšio naudojimo, skaitykite jo naudojimo instrukcijas.
- ! Nesulankstykite vežimėlio, neišėmę nešiojamojo lopšio.

Minkštųjų dalių nuėmimas ir uždėjimas

žr. 58 – pav. 63

1. Nuimkite ranktūrį, kaip pavaizduota 62
2. Atsekite sagtį, esančią sėdynės apačioje. 63

Norėdami išimti minkštus sėdynės priedus, atlikite pirmiau nurodytus veiksmus atvirkščia eilės tvarka 63 - 63

Valymas ir priežiūra

žr. pav. 64

- ! Vežimėlio rėmą valykite tik buityje naudojamu muilu ir šiltu vandeniu. Nenaudokite baliklių ir skalbimo priemonių. Kaip valyti medžiagines vežimėlio dalis, žr. priežiūros etiketėje pateiktus nurodymus.
- ! Išimamas minkštas dalis galima plauti skalbyklėje. Nebalinti. Labai stipriai negręžkite sėdynės apdangalo ir vidinio paminkštavimo, norėdami, kad jie greičiau išdžiūtų. Antraip sėdynės apdangalas ir vidinį paminkštavimą gali likti susiglamžę.
- ! Kartkartėmis patikrinkite, ar vežimėlyje nėra atsilaisvinusių varžtų, nusidėvėjusių dalių, suplyšusių medžiagų ar prairusių siūlių. Jeigu reikia, dalis pakeiskite naujomis arba sutaisykite. Reguliariai valykite plastines dalis minkštu drėgnu skudurėliu. Jei vežimėlis sušlampa, visada nusauskite metalines dalis, kad jos nesurūdytų.
- ! Pernelyg didelis saulės ar šilumos poveikis vežimėlio dalis gali išblukti ar deformuoti.
- ! Jei vežimėlis sušlampo, prieš padėdami jį į saugojimo vietą, atidarykite stogelį ir palaukite, kol jis išdžius.
- ! Jei ratai girgžda, naudokite neklampią alyvą (pvz., silikoninį purškiklį, nuo rūdžių apsaugančią alyvą arba siuvimo mašinų alyvą). Svarbu, kad alyvos patektų į ašies ir rato mazgą. 64
- ! Naudodamiesi savo vežimėliu paplūdimyje ar kitoje smėlio ar dulkių pilnoje aplinkoje, po naudojimo kruopščiai išvalykite visą vežimėlį, kad pašalintumėte smėlį ir druską iš mechanizmų ir ratų mazgų.

HR Dobro došli u Joie™

Čestitamo vam što ste postali član obitelji Joie! I mi smo uzbuđeni što možemo postati dijelom vašeg putovanja uz vašeg mališana. Dok putujete s Joie Alore, znajte da koristite visokokvalitetna, potpuno certificirana dječja kolica odobrena prema europskim normama o sigurnosti EN 1888-2:2018+A1:2022. Ovaj proizvod prikladan je za djecu od rođenja do težine 22 kg ili starosti 4 godine, što se od toga prije dogodi. Pažljivo pročitajte ovaj priručnik i slijedite svaki postupak iz uputa kako biste osigurali udobnu vožnju i najbolju zaštitu za svoje dijete.

VAŽNO - PROČITAJTE PAŽLJIVO I SAČUVAJTE ZA BUDUĆU UPORABU.

Posjetite joiebaby.com kako biste preuzeli priručnike i pregledali i ostale izvrsne i praktične Joie proizvode!

Za informacije o jamstvu posjetite web stranicu joiebaby.com

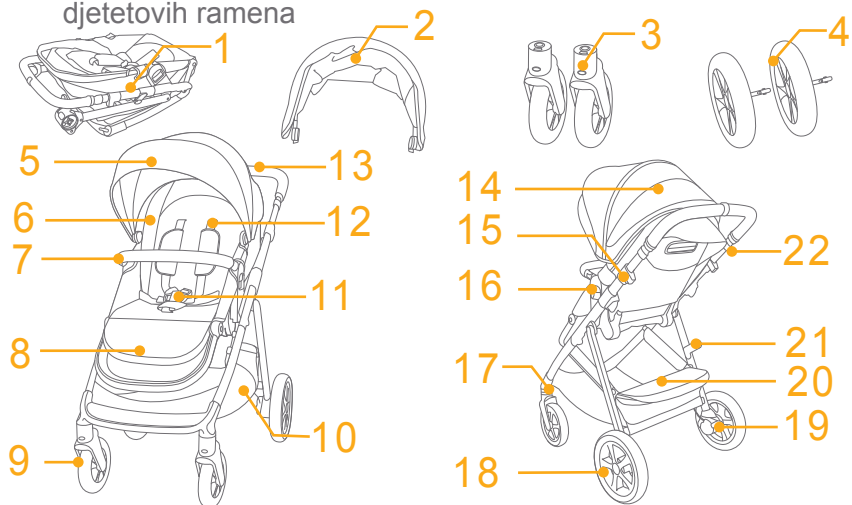
Hitan slučaj

U hitnom slučaju ili ako se dogodi nesreća najvažnije je pobrinuti se za dijete i odmah mu pružiti prvu pomoć i zdravstvenu skrb.

Popis dijelova

Prije sklapanja provjerite jesu li raspoloživi svi dijelovi. Ako bilo koji dio nedostaje kontaktirajte lokalnog prodavača. Za sklapanje nije potreban alat.

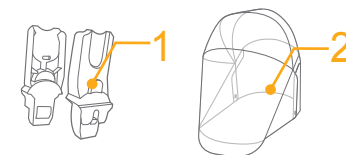
- | | | | |
|----|---|----|-------------------------------|
| 1 | Okvir dječjih kolica | 13 | Ručka |
| 2 | Krović | 14 | Prozorčić na kroviću |
| 3 | Prednji kotačić | 15 | Gumb za preklapanje |
| 4 | Stražnji kotačić | 16 | Gumb za oslobađanje sjedalice |
| 5 | Krović | 17 | Blokada okretanja |
| 6 | Jastuk sjedalice | 18 | Stražnji kotačić |
| 7 | Prečka za ruke | 19 | Poluga kočnice |
| 8 | Potporna za noge | 20 | Torba za pohranu |
| 9 | Prednji kotačić | 21 | Poluga za pohranu |
| 10 | Košara za odlaganje | 22 | Gumb za podešavanje ručke |
| 11 | Kopča | | |
| 12 | Trake za pričvršćivanje djetetovih ramena | | |



Dodatna oprema

(Možda nije uključena u isporuku)

- | | |
|---|--|
| 1 | Adapter (na nekim modelima) |
| 2 | Pokrov protiv kiše (na određenim modelima) |



Ovisno o regiji dodatna oprema može biti zasebno u prodaji ili uopće ne mora biti raspoloživa.

UPOZORENJE

- ! Uvijek koristite sustav sigurnosnih pojaseva za pričvršćivanje djeteta. Sigurnosne pojaseve i sustave za pričvršćivanje djeteta treba pravilno koristiti.
- ! Prije uporabe provjerite jesu li uređaji za blokadu aktivirani.
- ! Ne dopustiti djetetu da se igra ovim proizvodom.
- ! Prije upotrebe provjerite jesu li košara za bebu, sjedalica ili uređaji za postavljanje i pričvršćivanje na sjedalo u automobilu pravilno smješteni i aktivirani.
- ! Sklapanje treba vršiti odrasla osoba.
- ! Ovaj proizvod se preporučuje za djecu mlađu od 22 kg ili 4 godine, što god nastupi prije.
- ! Ne stavljajte više od 4,5kg u košaru za odlaganje kako biste spriječili opasne situacije i nestabilna stanja.
- ! Nikad ne ostavljajte dijete bez nadzora. Dok je dijete u kolicima neka vam je uvijek u vidnom polju.
- ! U dječjim kolicima smije biti samo jedno dijete. Ne stavljajte torbice, torbe za kupovinu, pakete niti stavke dodatne opreme na ručku niti na krovčić.
- ! Nije dozvoljeno korištenje dodatne opreme koju proizvođač nije odobrio. Potrebno je koristiti isključivo one zamjenske dijelove koje isporučuje ili je preporučio proizvođač.
- ! Preopterećenje, nepravilno preklapanje ili korištenje dijelova drugih proizvođača mogu prouzročiti oštećenja kolica, lom ili ona više neće biti sigurna za uporabu. Pažljivo pročitajte priručnik s uputama.
- ! Prije uporabe proizvoda pročitajte sve upute u ovom priručniku. Spremite priručnik s uputama za buduću uporabu. Nepoštivanje ovih upozorenja i uputa može predstavljati opasnost i prouzročiti ozbiljne ozljede sa smrtnim ishodom.
- ! Radi sprječavanja ozbiljnih ozljeda zbog ispadanja ili isklizavanja, uvijek stavljajte pojas sjedalice.
- ! Prilikom podešavanja kolica provjerite je li tijelo djeteta izvan dohvata pokretnih dijelova.

- ! Uvjerite se kako su kolica u potpunosti otvorena ili preklopljena prije no što im se dijete približi.
- ! Ako se ne koriste trake za pričvršćivanje djeteta ono bi moglo iskliznuti u otvore za noge i zagušiti se.
- ! Nikad ne vozite niti ne koristite kolica na običnim ili pokretnim stubama.
- ! Držite podalje od predmeta i tekućina visoke temperature kao i elektronike.
- ! Djetetu nikad nemojte dopustiti da stoji na kolicima niti da sjedi u kolicima glavom prema vrhu prednjeg dijela kolica.
- ! Nikad ne stavljajte kolica na ceste, kosine ili opasna područja.
- ! Radi sprječavanja mogućeg davljenja NE postavljajte predmete s užadi ili nitima oko dječjeg vrata, maknite viseće trake s ovog proizvoda i ne stavljajte trake na igračke.
- ! Svaki teret postavljen ili obješen na ručku i/ili na stražnju stranu naslona i/ili na bočne strane dječjih kolica utjecat će na njihovu stabilnost.
- ! NE podižite kolica dok se dijete nalazi u njima.
- ! NE koristite košaru za odlaganje za vožnju ili nošenje djeteta.
- ! Nikad ne dozvoljavajte djetetu da se penje na kolica kako biste spriječili prevrtanje. Uvijek podignite dijete kad ga stavljate u kolica ili vadite iz njih.
- ! Pazite prilikom sklapanja ili rasklapanja kolica kako si ne biste priklještili prste.
- ! Prilikom sklapanja i rasklapanja ovog proizvoda udaljite dijete kako se ne bi ozlijedio.
- ! Prije korištenja kolica, a radi sigurnosti djeteta provjerite jesu li svi dijelovi kolica pravilno sklopljeni i učvršćeni.
- ! Pazite i provjerite kako dijete nije blizu krovčića kako se ne bi ugušilo.
- ! Prilikom zaustavljanja kolica uvijek aktivirajte kočnice.
- ! Prestanite koristiti kolica ako su oštećena ili slomljena.

- ! Kolica se smiju koristiti samo brzinom hoda. Ovaj proizvod nije namijenjen i ne smije se koristiti trčeći.
- ! Uklonite plastičnu vreću i ambalažu prije korištenja ovog proizvoda radi sprječavanja opasnosti od gušenja. Plastičnu vreću i ambalažu treba skloniti i držati dalje od dohvata dojenčadi, beba i djece.
- ! Ovaj proizvod nije prikladan za trčanje ili rolanje.
- ! Dječja kolica koja su namijenjena za dijete od rođenja treba do kraja spustiti u najniži položaj kad se koristi za novorođenče.
- ! Prilikom stavljanja i vađenja djeteta iz kolica uvijek je potrebno aktivirati parkirnu kočnicu.
- ! Autosjedalice za bebu koje se koriste s bazom kolica ne mogu zamijeniti sklopivi ili običan dječji krevetić. Ako dijete treba spavati stavite ga u odgovarajuću košaru za bebu, sklopivi ili običan dječji krevetić.
- ! Košara za bebu ne smije se više koristiti čim je dijete sposobno samostalno sjediti, prekrenuti se ili se odgurnuti i podignuti na ruke i koljena. Maksimalna težina djeteta: 9 kg.
- ! NE DODAJTE NI NE UPOTREBLJAVAJTE s bilo kakvim dodatnim madracem osim onoga koji je isporučen s košarom za bebu.
- ! Ništa ne pričvršćujte na ručke, na naslon sjedala niti na bočne stranice kolica. Bilo kakav dodatni teret utjecat će na stabilnost kolica i može prouzročiti prevrtanje kolica.
- ! Nije dozvoljeno dodavati bilo kakav madrac osim ako to proizvođač ne preporučuje.
- ! Ne preklapajte okvir dječjih kolica dok je na njih postavljena sjedalica okrenuta obrnuto od smjera kretanja, odnosno prema vama dok gurate kolica.

Sastavljanje kolica

(Pogledajte slike na stranicama 1 - 12)

Prije sklapanja i uporabe ovog proizvoda pročitajte sve upute u ovom priručniku.

Otvaranje dječjih kolica

pogledajte slike 1 - 3

Odvojite polugu za pohranu od nosača pohrane 1, a zatim podignite ručku prema gore 2, zvuk klik označit će da su dječja kolica potpuno otvorena.

! Pritisnite oslonac za noge prema dolje i postavite u željeni položaj. 3 - 1

! Zakopčajte gumb ispod potpore za noge. 3 - 2

! Prije korištenja provjerite jesu li dječja kolica u potpunosti pričvršćena.

Postavljanje i skidanje prednjih kotača

pogledajte slike 4 - 5

Postavljanje i skidanje stražnjih kotača

pogledajte slike 6 - 8

Postavljanje krovica

pogledajte slike 9 - 10

Postavljanje i skidanje prečke za ruke

pogledajte slike 11 - 12

Potpuno sklopljena kolica prikazana su na slici 13

Korištenje kolica

Podešavanje naslona

pogledajte slike 14 - 15

Postoje 5 kuta nagiba naslona.

Spuštanje naslona

Za naginjanje naslona stisnite ručku za naginjanje na stražnjoj strani sjedalice, povucite dolje na stražnji dio naslona. 14

Podizanje naslona

Za podizanje naslona, gurnite ga prema gore. 15

! Provjerite je li nagib pravilno namješten za upotrebu.

! Maksimalno opterećenje džepa za odlaganje na stražnjoj strani naslona je 0,45 kg.

Korištenje kopče

pogledajte slike 16 - 17

Oslobađanje kopče

Pritisnite središnji gumb za otvaranje kopče. 16

Zaključavanje kopče

Uskladite kopču remena oko kukova s kopčom za rame 17 - 1 i pritisnite u središnju kopču dok ne klikne. 17 - 2

Zvuk „klik“ znači da je kopča pravilno zakopčana. 17 - 3

! Radi sprječavanja ozbiljnih ozljeda zbog ispadanja ili iskliznuća, dijete uvijek pričvrstite trakama pojasa.

! Provjerite je li dijete pravilno i sigurno pričvršćeno. Razmak između djeteta i traka pojasa za djetetova ramena mora biti približno debljine jednog prsta.

! Ne križajte trake pojasa za ramena. To će prouzročiti pritisak na djetetov vrat.

Korištenje traka pojasa za ramena i kukove

pogledajte slike 18 - 24

! Kako bi zaštitili dijete od ispadanja, nakon što ga stavite u sjedalicu provjerite jesu li trake za pričvršćivanje djetetovih ramena i kukova na pravilnoj visini i jesu li pravilne duljine.

18 - 1 Učvršćivač trake pojasa za ramena A

18 - 2 Učvršćivač trake pojasa za ramena B

18 - 3 Klizni dio za podešavanje

Za veće dijete koristite točku A i više otvore za pričvršćivanje traka za ramena. Za manje dijete koristite točku B i niže otvore za pričvršćivanje traka za ramena.

! Položaj učvršćivača trake pojasa može se namjestiti iznad otvora koji je zatvorenog učvršćivačima ili ispod džepa. 18 - 1

Za podešavanje položaja učvršćivača trake pojasa za ramena okrenite učvršćivač kako bi bio u ravnini sa stranom okrenutom prema naprijed. Provucite ih kroz otvor za trake pojasa za ramena sa stražnje na prednju stranu. 18 Ponožno provucite kroz otvor koji je najbliži visini djetetovih ramena. 20

Koristite klizni dio za podešavanje kako bi promijenili duljinu traka pojasa. 21 - 1

Pritisnite gumb 21 - 2 dok povlačite trake pojasa za ramena na pravilnu duljinu. 21 - 3

Podešavanje potpore za noge

pogledajte slike 22 - 23

Potpورا za noge ima 2 položaja.

Za podizanje potpore za noge gurnite je prema gore. 22 Zvuk „klik“ znači da je potpora pravilno blokirana.

Za spuštanje potpore za noge pritisnite gumb za podešavanje na obje strane potpore za noge 23 - 1 i zakrenite potporu za noge prema dolje. 23 - 2

Korištenje blokade okretanja prednjih kotača

pogledajte sliku 24

Prednji kotačić blokirani ili deblokirani kao na slici 24.

Savjet Preporučuje se koristiti blokadu okretanja kotačića na neravnim površinama.

Korištenje kočnice

pogledajte slike 25 - 26

Za blokadu kotačića nogom pritisnite polugu kočnice prema dolje. 25

Za oslobađanje kotačića jednostavno podignite polugu kočnice prema gore. 26

Savjet Uvijek aktivirajte kočnicu čim zaustavite dječja kolica.

Korištenje krovica

pogledajte slike 27 - 28

Krovic se može otvoriti ili preklopiti, povući ga prema naprijed ili natrag.

Krovic se može u potpunosti otvoriti radi čim bolje zaštite djeteta od sunca, potrebno je samo otvoriti patentni zatvarač 27 i povući krovic prema naprijed.

Na krovicu postoji prozorčić kroz koji možete pogledati dijete. 28

Podešavanje ručke

pogledajte sliku 29

Ručka ima 3 položaja.

Podešavanje visine sjedalice

pogledajte slike 30 - 31

Sjedalica ima 3 položaja.

Povucite gore sjedalicu kako biste povećali njenu visinu. 30

Pritisnite gumb za podešavanje visine sjedalice i povucite je gore, zatim gurnite dolje kako biste smanjili visinu sjedalice. 31

Okretanje sjedalice

pogledajte slike 32 - 33

Moguće je okrenuti smjer sjedalice kako bi dijete sjedilo licem prema majci, odnosno osobi koja gura kolica.

Stisnite gumb za oslobađanje sjedalice i podignite je. Okrenite sjedalicu u suprotnom smjeru i zatim je ponovno umetnite u nosače sjedalice.

Oba nosača sjedalice trebaju biti u ravnini kako je prikazano na slici 32, ako je smještaj kako je prikazano na slikama 32 i 33 pritisnite gumb za podešavanje visine sjedalice i povucite gore, zatim gurnite dolje radi smanjenja visine sjedalice i kako bi oba nosača sjedalice bila u ravnini. 33

Korištenje košare za odlaganje

pogledajte sliku 34

Ne stavljajte više od 4,5 kg u košaru za odlaganje niti torbicu da biste spriječili opasne situacije i nestabilna stanja.

Sklopavanje dječjih kolica

pogledajte slike 40 - 43

! Prije sklopavanja kolica preklopite krovic.

Pritisnite gumb za preklapanje i povucite prema gore, 40 zatim okrenite ručku prema dolje, 41 poluga za preklapanje može se automatski blokirati. 42

! Ako je sjedalica na nižem položaju tijekom preklapanja kolica može se kliznuti prema dolje kako bi se poluga za preklapanje automatski blokirala.

! Ne preklapajte okvir dječjih kolica dok je na njih postavljena sjedalica okrenuta obrnuto od smjera kretanja, odnosno prema vama dok gurate kolica. 43

! Ne preklapajte okvir dok su prednji kotači blokirani i ne mogu se okretati.

! Kolica sa sjedalicom okrenutom u smjeru kretanja može samostalno stajati kad je ručka u najvišem položaju.

Korištenje dodatne opreme

Ovisno o regiji dodatna oprema može biti zasebno u prodaji ili uopće ne mora biti raspoloživa.

Korištenje pokrova protiv kiše

pogledajte sliku 44

Za pričvršćivanje pokrova protiv kiše postavite ga preko sjedalice.

! Pri korištenju pokrova protiv kiše uvijek provjerite prozračivanje ispod pokrova.

! Ako se pokrov protiv kiše više ne koristi prije sklopavanja provjerite je li očišćen i suh.

! Ne preklapajte dječja kolica nakon postavljanja pokrova protiv kiše.

! Tijekom toploga vremena ne stavljajte dijete u dječja kolica na kojima je postavljen pokrov protiv kiše.

Korištenje s autosjedalicom za bebu

pogledajte slike 45 - 49

Prilikom korištenja s Joie dječjom autosjedalicom za bebe i-Snug 2 & i-Gemm 3 & i-Level Recline & i-Jemini & Gemm, pogledajte sljedeće upute.

! Zvuk „klik“ znači da je adapter pravilno zakopčan.

! Kut nagiba autosjedalice za bebu može se prilagoditi našim prilagodljivim adapterima. 47

! Adapter ima 3 položaja. Ne koristite proizvod ako je djetetova glava niža od stopala kad dijete smjestite i pričvrstite u autosjedalicu za bebu.

! Ako imate bilo kakvih problema u svezi korištenja autosjedalice za bebu, pogledajte upute za uporabu te autosjedalice.

! Ne preklapajte dječja kolica dok je na njih postavljena i pričvršćena autosjedalica za bebu.

Korištenje s Joie Ramble, Ramble XL košarom za bebu

[pogledajte slike 50 - 53](#)

Prilikom korištenja s Joie košarom za bebu ramble, ramble xl pogledajte sljedeće upute.

- ! Ako imate bilo kakvih problema u svezi korištenja košare za bebu, pogledajte upute za uporabu te košare za bebu.
- ! Ne koristite proizvod ako je djetetova glava niža od stopala kad dijete smjestite u košaru za bebu.
- ! Kada koristite košaru za bebu uvijek koristite i njezin madrac.
- ! Ne preklapajte dječja kolica dok je na njih postavljena košara za bebu.

Korištenje s Joie Calmi košarom za bebu

[pogledajte slike 54 - 57](#)

Kada koristite s Joie Calmi košarom za bebu, pogledajte sljedeće upute.

- ! Zvuk „klik“ znači da je adapter pravilno zakopčan.
- ! Kada koristite košaru za bebu uvijek koristite i njezin madrac.
- ! Prije postavljanja košare za bebu provjerite je li mreža na dnu košare za pravilno pričvršćena.
- ! Ako imate bilo kakvih problema u svezi korištenja košare za bebu, pogledajte upute za uporabu te košare za bebu.
- ! Ne preklapajte dječja kolica dok je na njih postavljena i pričvršćena košara za bebu.

Skidanje i postavljanje obloga i mekih dijelova

[pogledajte slike 58 - 63](#)

1. Uklonite prečku za ruke kao na slici [12](#)
2. Otvorite kopču koja se nalazi na donjem dijelu sjedala. [58](#)

Za ponovno postavljanje obloga i mekih dijelova slijedite gore navedene korake obrnutim redoslijedom [63](#) - [58](#)

Čišćenje i održavanje

[pogledajte sliku 64](#)

- ! Za čišćenje okvira dječjih kolica koristite samo običan sapun i toplu vodu. Bez izbjeljivača ili deterdženta. Pogledajte naljepnicu za održavanje s uputama za čišćenje dijelova kolica od tkanine.
- ! Obloge i meki dijelovi mogu se prati u perilici. Ne upotrebljavajte izbjeljivač. Ne savijajte pokrov sjedalice velikom silom radi iscjedivanja i unutarnje umetke radi sušenja. To može ostaviti nabore na oblozi sjedala i unutarnjem umetku.
- ! S vremena na vrijeme provjerite zategnutost vijaka na dječjim kolicima i provjerite je li materijal istrošen i jesu li šavovi poderani. Prema potrebi zamijenite ili popravite dijelove. Povremeno plastične dijelove obrišite mekom vlažnom krpom. Uvijek osušite metalne dijelove kako bi spriječili stvaranje hrđe ako su kolica bila izložena vodi.
- ! Dulje izlaganje suncu ili toplini može prouzročiti blijedenje ili uvijanje dijelova.
- ! Ako su kolica vlažna prije pohrane otvorite krovčić i pustite neka se potpuno osuše.
- ! Ako kotačići glasno škripe koristite lagano ulje (na primjer silikonski sprej, ulje protiv hrđe ili ulje za šivaće strojeve). Važno je staviti ulje na sklop osovine i kotača. [64](#)
- ! Nakon korištenja dječjih kolica na plaži ili drugim pješčanim/prajšnjavim terenima temeljito očistite kolica kako biste uklonili ostatke pijeska i soli iz mehanizama i sklopova kotača.

RO Bun venit la Joie™

Felicitări pentru că ați devenit parte din familia Joie! Ne bucurăm să participăm la călătorie alături de micuțul vostru. Când folosiți Joie Alore, vă puneți încrederea într-un cărucior de înaltă calitate, complet certificat, aprobat conform standardelor europene de siguranță EN 1888-2:2018+A1:2022. Acest produs este potrivit pentru copiii de până la 22 kg sau vârsta de 4 ani, oricare dintre cele două survine mai întâi. Citiți cu atenție acest manual și urmați fiecare pas pentru a asigura o călătorie confortabilă și cea mai înaltă protecție pentru copilul dvs.

IMPORTANT - CITIȚI CU ATENȚIE ȘI PĂSTRAȚI PENTRU CONSULTĂRI ULTERIOARE.

Vizitați site-ul joiebaby.com pentru a descărca manuale și a vedea mai multe produse Joie!

Pentru informații privind garanția, vizitați site-ul nostru web pe joiebaby.com

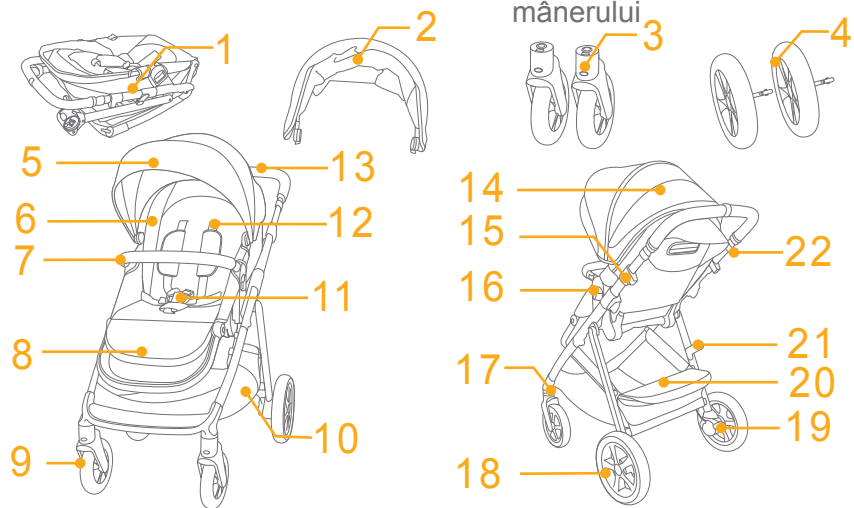
Urgențe

În caz de urgență sau accidente, este esențial să îi fie acordate primul ajutor și tratament medical copilului.

Lista componentelor

Înainte de montare, asigurați-vă că aveți toate componentele. Dacă lipsește o componentă, vă rugăm să contactați distribuitorul local. Montajul nu necesită niciun fel de scule.

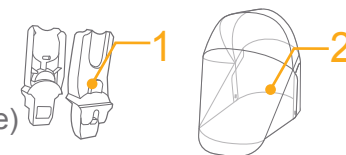
- | | | | |
|----|---------------------|----|---------------------------------------|
| 1 | Cadru cărucior | 13 | Mânerul |
| 2 | Copertina | 14 | Fereastra copertinei |
| 3 | Roată din față | 15 | Buton pliere |
| 4 | Roată din spate | 16 | Buton de eliberare pentru scaun |
| 5 | Copertina | 17 | Blocare pivotare |
| 6 | Căptușeală scaun | 18 | Roată din spate |
| 7 | Cotieră | 19 | Manetă de frână |
| 8 | Suport pentru gambe | 20 | Sac de depozitare |
| 9 | Roată din față | 21 | Mecanism de blocare pentru depozitare |
| 10 | Coș de depozitare | 22 | Buton de reglare a mânerului |
| 11 | Cataramă | | |
| 12 | Ham pentru umeri | | |



Accesorii

(pot să nu fie incluse)

- 1 Adaptor (la anumite modele)
- 2 Husă pentru ploaie (la anumite modele)



Accesoriile pot fi achiziționate separat sau nu sunt disponibile în funcție de regiune.

AVERTISMENT

- ! Utilizați întotdeauna sistemul de siguranță. Centurile de siguranță și sistemele de reținere trebuie utilizate corect.
- ! Asigurați-vă că toate dispozitivele de blocare sunt cuplate înainte de utilizare.
- ! Nu lăsați copilul să se joace cu acest produs.
- ! Înaintea utilizării, verificați cuplarea corectă a corpului căruciorului sau a scaunului ori a dispozitivelor de atașare a scaunului auto.
- ! Asamblarea trebuie efectuată de un adult.
- ! Acest produs este potrivit pentru copiii de până la 22 kg sau vârsta de 4 ani, oricare dintre cele două survine mai întâi.
- ! Pentru a preveni o situație de pericol sau de instabilitate, nu așezați o greutate mai mare de 4,5kg în coșul de depozitare.
- ! Nu lăsați niciodată copilul nesupravegheat. Păstrați întotdeauna contactul vizual cu copilul atunci când se află în cărucior.
- ! Nu folosiți căruciorul pentru mai mult de un copil simultan. Nu așezați niciodată genți, plase, pachete sau accesorii pe mâner sau copertină.
- ! Se interzice utilizarea accesoriilor care nu sunt aprobate de către producător. Trebuie utilizate doar piese de schimb furnizate sau recomandate de către producător.
- ! Supraîncărcarea, pliarea incorectă sau utilizarea pieselor componente de la alți producători pot cauza deteriorarea, ruperea căruciorului sau la reducerea siguranței acestuia. Citiți cu atenție manualul de instrucțiuni.
- ! Citiți toate instrucțiunile din manual înainte de utilizarea produsului. Păstrați acest manual de instrucțiuni pentru utilizare ulterioară. Nerespectarea acestor avertismente și instrucțiuni poate cauza vătămări corporale grave sau decesul.
- ! Pentru a evita accidentările grave cauzate de căderi sau alunecări, utilizați întotdeauna centura.
- ! Asigurați-vă că nu există pericolul ca piesele în mișcare să intre în contact cu copilul la reglarea căruciorului.

- ! Asigurați-vă că este deschis complet sau pliat căruciorul înainte de a permite copilului să se apropie de acesta.
- ! Copilul poate aluneca în orificiile pentru picioare și se poate strangula dacă nu se utilizează hamul.
- ! Nu utilizați niciodată căruciorul pe stări sau pe scări rulante.
- ! Păstrați departe de obiecte la temperaturi mari, lichide și electronice.
- ! Nu lăsați niciodată copilul să stea în picioare în cărucior sau să stea în cărucior cu capul spre fața căruciorului.
- ! Nu amplasați niciodată căruciorul pe șosele, pante sau în zone periculoase.
- ! Pentru a evita strangularea, NU plasați obiecte cu corzi în jurul gâtului copilului, nu agățați corzi de acest produs și nu atașați șnururi la jucării.
- ! Orice sarcină atașată pe mâner și/sau pe partea din spate a spătarului și/sau pe părțile laterale ale căruciorului afectează stabilitatea acestuia.
- ! NU ridicați căruciorul în timp ce copilul se află în acesta.
- ! NU utilizați coșul de depozitare pentru a transporta copii.
- ! Pentru a evita răsturnarea, nu lăsați copilul să se cațăre pe cărucior. Ridicați întotdeauna copilul pentru a-l băga sau scoate din cărucior.
- ! Pentru a evita prinderea degetelor, pliați și desfaceți cu grijă căruciorul.
- ! Pentru a evita rănirea, asigurați-vă că, atunci când deschideți și când pliați acest produs, copilul nu se află în apropierea acestuia.
- ! Pentru a garanta siguranța copilului dvs., asigurați-vă că toate componentele sunt asamblate și fixate corect, înainte de a utiliza căruciorul.
- ! Pentru a evita strangularea, asigurați-vă că bebelușul nu este deranjat de copertină.
- ! Acționați întotdeauna frânele când parcați căruciorul.
- ! Nu mai utilizați căruciorul dacă este deteriorat sau rupt.

- ! Căruciorul trebuie folosit doar la viteză de plimbare. Acest produs nu trebuie folosit pentru alergare.
- ! Pentru a evita sufocarea, îndepărtați punga de plastic și materialele de ambalare înainte de a utiliza acest produs. Punga de plastic și materialele de ambalare trebuie apoi ferite de sugari și copii.
- ! Acest produs nu este adecvat pentru alergare sau patinaj.
- ! Pentru cărucioarele destinate pentru a fi utilizate pentru copii nou-născuți, se recomandă utilizarea poziției de înclinare maximă.
- ! Dispozitivul de parcare trebuie cuplat atunci când așezați sau ridicați copilul.
- ! Pentru sisteme de reținere a sugarilor utilizate în combinație cu un cadru, vehiculul nu înlocuiește pătuțul sau patul. În cazul în care copilul trebuie să doarmă, puneți copilul într-un cărucior, pătuț pliant sau pat adecvat.
- ! De îndată ce copilul poate să stea de unul singur, să se rostogolească și să se împingă în sus pe mâini și pe genunchi, se va înceta utilizarea pătuțului de transport. Greutatea maximă a copilului: 9 kg.
- ! NU folosiți și nu adăugați alte saltele decât cea furnizată de pătuțul portabil.
- ! Nu atașați obiecte de mâner, de spătarul scaunului sau de părțile laterale ale căruciorului. Orice sarcină suplimentară va afecta stabilitatea căruciorului și poate duce la răsturnarea acestuia.
- ! Nu se adaugă o saltea suplimentară decât la recomandarea producătorului.
- ! Nu pliați cadrul dacă scaunul este orientat în sens opus față de direcția de mers.

Asamblarea căruciorului

(consultați figurile de la paginile 1-12)

Citiți toate instrucțiunile din manual înainte de asamblarea și utilizarea acestui produs.

Pentru a deschide căruciorul

consultați imaginile ① - ③

Desprindeți mânerul de depozitare de suportul de depozitare ①, apoi ridicați mânerul ②, un sunet de clic înseamnă că a fost complet deschis căruciorul.

! Apăsăți în jos pe suportul pentru picioare și reasezați-l. ③ - 1

! Atașați butonul de sub suportul pentru gambă. ③ - 2

! Asigurați-vă că mecanismul căruciorului este complet blocat înainte de a continua utilizarea.

Asamblarea și demontarea roților din față

consultați imaginile ④ - ⑤

Asamblarea și demontarea roților din spate

consultați imaginile ⑥ - ⑧

Asamblarea copertinei

consultați imaginile ⑨ - ⑩

Asamblarea și demontarea cotierei

consultați imaginile ⑪ - ⑫

Căruciorul asamblat complet este indicat ca ⑬

Utilizarea căruciorului

Reglarea spătarului

consultați imaginile ⑭ - ⑮

Există 5 unghiuri de reglare a spătarului.

Înclinarea spătarului

Pentru a ridica sau înclina spătarul, rotiți mânerul de înclinare de pe spatele scaunului, trageți în jos de spătar. ⑭

Ridicarea spătarului

Pentru a ridica spătarul, împingeți în sus. ⑮

! Asigurați-vă că înclinarea este fixată corect înainte de utilizare.

! Sarcina maximă a buzunarului de depozitare de pe spatele spătarului este de 0,45 kg.

Utilizarea cataramii

consultați imaginile ⑯ - ⑰

Decuplarea cataramii

Apăsăți butonul de din centru pentru a decupla catarama. ⑯

Blocarea cataramii

Potrivii catarama centurii de talie cu catarama de umăr ⑰ - 1, și fixați cu clic în catarama centrală. ⑰ - 2 Un sunet de „clic” înseamnă că a fost blocată complet catarama. ⑰ - 3

! Pentru a evita accidentările grave cauzate de căderi sau alunecări, fixați întotdeauna copilul cu hamul.

! Asigurați-vă că ați fixat strâns copilul. Spațiul dintre copil și hamul de umăr este de aproximativ o lățime de mână.

! Nu încrucișați curelele de umăr. Aceasta va pune presiune asupra gâtului copilului.

Utilizarea hamurilor de umăr și de talie

consultați imaginile 18 - 21

! Pentru a proteja copilul astfel încât acesta să nu cadă, după ce copilul este așezat în scaun, verificați dacă hamurile de umăr și de la piept au înălțimea și lungimea corespunzătoare.

18 - 1 Punct de ancorare A pentru hamul de umăr

18 - 2 Punct de ancorare B pentru hamul de umăr

18 - 3 Dispozitiv de ajustare glisant

Pentru copiii mai mari, folosiți punctul de fixare a hamului A și orificiile superioare pentru umeri. Pentru copiii mai mici, folosiți punctul de fixare a hamului B și cele mai joase orificii pentru umeri.

! Poziția de ancorare a centurii de umăr poate fi reglată de deasupra deschiderii care se închide la fixare sau de sub buzunar. 18 - 1

Pentru a regla poziția ancorei hamului pentru umăr, rotiți ancora cu latura orientată în față. Treceți-o prin fanta pentru hamul de umăr, din spate în față. 18 Treceți-o din nou prin fanta cea mai apropiată de înălțimea umărului copilului. 20

Utilizați dispozitivul de reglare pentru a modifica lungimea hamului. 21 - 1

Apăsăți butonul 21 - 2, în timp ce trageți hamul de talie la lungimea corespunzătoare. 21 - 3

Reglarea suportului pentru gambe

consultați imaginile 22 - 23

Suportul pentru gambe are 2 poziții.

Pentru a ridica suportul pentru gambe, împingeți-l în sus. 22 Un sunet „clac” înseamnă că a fost blocat complet suportul pentru gambe.

Pentru a coborî suportul pentru gambe, apăsați pe butoanele de reglare de pe ambele părți ale suportului pentru gambe 23 - 1 și rotiți suportul pentru gambe în jos. 23 - 2

Utilizarea blocării pivotării roților față

consultați imaginea 24

Starea roții din față blocată sau deblocată ca 24.

Sfat Se recomandă utilizarea blocării pivotării pe suprafețe neuniforme.

Utilizarea frânei

consultați imaginile 25 - 26

Pentru a bloca roțile, călcați pe maneta de frână. 25

Pentru a elibera roțile, ridicați maneta de frână. 26

Sfat Acționați întotdeauna frâna de picior când căruciorul nu se mișcă.

Utilizarea copertinei

consultați imaginile 27 - 28

Copertina poate fi deschisă sau pliată, trageți-o spre față sau spre spate.

Copertina poate fi deschisă complet pentru a vă proteja copilul de soare la maximum, desfaceți fermoarul 27, apoi trageți copertina în față.

Există o fereastră pe copertină, prin care puteți vedea bebelușul. 28

Reglarea mânerului

consultați imaginea 29

Mânerul are 3 poziții.

Reglarea înălțimii scaunului

consultați imaginile 30 - 31

Scaunul are 3 poziții.

Trageți scaunul în sus pentru a crește înălțimea scaunului. 30

Apăsăți butoanele de reglare a înălțimii scaunului și trageți în sus, apoi apăsați în jos pentru a reduce înălțimea scaunului. 31

Schimbarea scaunului

consultați imaginile 32 - 33

Scaunul poate fi schimbat, pentru ca mama și copilul să fie față în față.

Strângeți butoanele de eliberare a scaunului și ridicați scaunul. Rotiți scaunul în direcția inversă și apoi introduceți scaunul pe suporturile sale.

Ambele suporturi trebuie să fie la același nivel, afișat în 33, dacă apar situațiile prezentate în 32 și 33, apăsați butonul de reglare a înălțimii scaunului și trageți în sus, apoi apăsați în jos pentru a reduce înălțimea scaunului, pentru a vă asigura că ambele suporturi sunt montate la același nivel. 33

Utilizarea coșului de depozitare

consultați imaginea 35

Pentru a preîntâmpina o situație de pericol sau de instabilitate, nu așezați o greutate mai mare de 4,5 kg în coșul de depozitare și sacul de depozitare.

Plierea căruciorului

consultați imaginile 40 - 43

! Pliăți copertina înainte de a plia căruciorul.

Apăsăți butonul de pliere și trageți în sus, 40 apoi rotiți mânerul în jos, 41 zăvorul pliabil se poate bloca automat. 42

! Dacă scaunul se află în poziția inferioară, acesta poate aluneca în timp ce pliați căruciorul, pentru a se asigura faptul că zăvorul se blochează automat.

! Nu pliați cadrul dacă scaunul este orientat în sens opus față de direcția de mers. 43

! Nu pliați cadrul când roata din față este blocată.

! Când mânerul se află în cea mai înaltă poziție și căruciorul este orientat spre direcția de mers, copilul poate sta în picioare.

Utilizarea accesoriilor

Accesoriile pot fi achiziționate separat sau nu sunt disponibile în funcție de regiune.

Utilizarea husei de ploaie

consultați imaginea 44

Pentru a asambla husa de protecție împotriva ploii, așezați-o peste scaun.

! Dacă folosiți husa de ploaie, verificați întotdeauna ventilația corespunzătoare.

! Atunci când nu o folosiți, curățați și uscați husa de ploaie înainte de a o strânge.

! Nu pliați căruciorul după ce ați montat husa de ploaie.

! În zilele călduroase, nu așezați copilul în căruciorul cu husa de ploaie montată.

Utilizarea cu dispozitive de reținere a sugarilor

consultați imaginile 45 - 49

Când folosiți împreună cu dispozitivul de reținere a sugarilor Joie i-Snug 2, i-Gemm 3, i-Level Recline, i-Jemini și Gemm, consultați următoarele instrucțiuni.

! Un sunet „clac” înseamnă că a fost blocat complet adaptorul.

! Unghiul transportorului pentru copii poate fi ajustat cu ajutorul adaptoarelor noastre reglabile. 47

! Adaptorul are 3 poziții. Nu utilizați produsul atunci când capul bebelușului este situat într-o poziție mai joasă decât picioarele sale, după ce a fost atașat sistemul de reținere pentru bebeluși.

! Dacă aveți probleme cu utilizarea scaunului pentru sugari, consultați manualele de instrucțiuni ale dispozitivelor.

! Nu pliați căruciorul atunci când încă este atașat sistemul de reținere a sugarilor.

Folosiți împreună cu pătuțul portabil Joie Ramble, Ramble XL

consultați imaginile 40 - 43

Consultați următoarele instrucțiuni la utilizarea cu pătuțul portabil Joie ramble, ramble xl.

- ! Dacă aveți probleme cu utilizarea pătuțului portabil, consultați manualele de instrucțiuni ale dispozitivelor.
- ! Nu utilizați produsul atunci când capul bebelușului este situat într-o poziție mai joasă decât picioarele sale, după ce a fost atașat pătuțul portabil.
- ! Folosiți întotdeauna saltea atunci când utilizați pătuțul portabil.
- ! Nu pliați căruciorul când atașați pătuțul de transport.

Folosiți împreună cu pătuțul portabil Joie Calmi

consultați imaginile 44 - 47

În cazul utilizării cu pătuțul portabil Joie Calmi, consultați instrucțiunile de mai jos.

- ! Un sunet „clic” înseamnă că a fost blocat complet adaptorul.
- ! Folosiți întotdeauna saltea atunci când utilizați pătuțul portabil.
- ! Vă rugăm verificați ca plasa de la fundul pătuțului portabil pentru copii să fie fixată corespunzător înainte de instalarea scaunului portabil.
- ! Dacă aveți probleme cu utilizarea pătuțului portabil, consultați manualele de instrucțiuni ale dispozitivelor.
- ! NU pliați căruciorul atunci când încă este atașat pătuțul.

Demontarea și asamblarea părților moi

consultați imaginile 48 - 53

1. Eliminați bara de sprijin pentru brațe, conform celor afișate 48
2. Deschideți catarama de pe partea de jos a scaunului. 49

Pentru a reasambla părțile moi ale scaunul, urmați pașii de mai sus în ordine inversă 53 - 53

Curățare și întreținere

consultați imaginea 54

- ! Pentru a curăța cadrul căruciorului, utilizați săpun de uz casnic și apă caldă. Nu utilizați înălbitor sau detergent. Consultați eticheta de îngrijire pentru instrucțiuni despre curățarea părților textile ale căruciorului.
- ! Părțile moi detașabile pot fi spălate în mașina de spălat. Nu utilizați înălbitor. Nu răsuciți cu forță mare componentele moi și căptușeala interioară pentru a le usca. Poate lăsa cute în husa scaunului și căptușeala interioară.
- ! Verificați periodic căruciorul pentru a vedea dacă există șuruburi slăbite, piese uzate, material sau cusături sfâșiate. Înlocuiți sau reparați piesele după cum este necesar. Ștergeți periodic componentele de plastic cu o lavetă moale umedă. Uscați întotdeauna componentele de metal ale căruciorului pentru a preveni apariția ruginii, dacă acesta a intrat în contact cu apa.
- ! Expunerea excesivă la soare sau căldură poate cauza decolorarea sau deformarea pieselor.
- ! În cazul în care căruciorul se udă, deschideți copertina și lăsați-o să se usuce bine înainte de depozitare.
- ! Dacă scârțâie roțile, utilizați un ulei subțire (de exemplu, spray cu silicon, ulei anti-rugină, sau ulei pentru mecanisme fine). Este important să aplicați ulei în ansamblul axului și al roții. 54
- ! Atunci când utilizați căruciorul la plajă sau în zone cu mult praf/nisip, curățați căruciorul complet după utilizare, pentru a îndepărta nisipul și sarea de pe mecanismele și ansamblurile roților.

KO Joie™에 오신 것을 환영합니다

Joie의 식구가 되신 것을 축하드립니다! 아기와 함께할 여정에 작게나마 같이할 수 있어서 매우 기쁩니다. Joie Alore와 함께 다니면 높은 품질의 완전히 인증되고, 유럽 안전 표준 EN 1888-2:2018+A1:2022의 승인을 받은 유모차를 사용하게 되시는 것입니다. 본 제품은 22kg 또는 4살 이하의 어린이에게 적합한 제품입니다. 이 설명서를 주의깊게 읽고 각 단계를 따라 아이가 편안하고 최고로 보호된 상태로 탑승할 수 있도록 하십시오.

중요 - 주의깊게 읽고 이후에 참고하기 위해 보관하십시오.

joiebaby.com으로 당사에 방문하여 설명서를 다운로드하고 더욱 멋진 Joie 제품들을 만나보세요!

보증 정보를 확인하려면 당사 웹사이트 joiebaby.com을 방문하십시오.

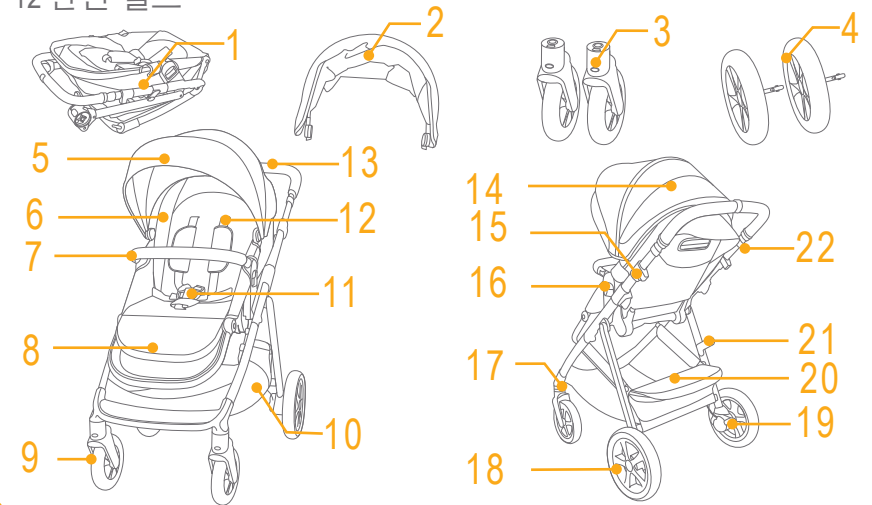
응급

응급 상황 또는 사고 발생 시 아기를 응급 처치하고 의료적 치료 조치를 즉시 취하는 것이 가장 중요합니다.

부품 목록

조립하기 전에 모든 부품이 사용 가능한지 확인하십시오. 없는 부품이 있을 경우 현지 판매업체에 문의하십시오. 조립에 별도의 공구가 필요하지 않습니다.

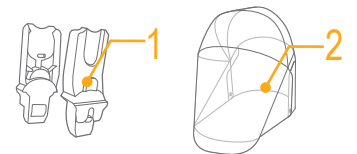
- | | |
|-----------|--------------|
| 1 유모차 프레임 | 13 손잡이 |
| 2 캐노피 | 14 캐노피 창 |
| 3 앞바퀴 | 15 접기 버튼 |
| 4 뒷바퀴 | 16 시트 해제 버튼 |
| 5 캐노피 | 17 회전 고정 장치 |
| 6 시트 패드 | 18 뒷바퀴 |
| 7 안전 바 | 19 브레이크 레버 |
| 8 다리 받침대 | 20 수납 가방 |
| 9 앞바퀴 | 21 수납 래치 |
| 10 수납 바구니 | 22 손잡이 조정 버튼 |
| 11 버클 | |
| 12 안전 벨트 | |



액세서리

(포함되지 않을 수 있음)

- 1 어댑터(특정 모델에서)
- 2 방수 커버(특정 모델에서)



액세서리는 별도로 판매되거나 지역에 따라 제공되지 않을 수 있습니다.

경고

- ! 항상 안전장치 시스템을 사용하십시오. 안전 벨트 및 안전장치 시스템은 올바르게 사용되어야 합니다.
- ! 사용하기 전에 모든 고정 장치를 연결했는지 확인하십시오.
- ! 아이가 이 제품을 갖고 놀지 않도록 하십시오.
- ! 사용하기 전에 유모차 차체나 시트 장치 또는 차량 시트 부착 장치가 올바르게 연결되었는지 확인하십시오.
- ! 어른이 조립해야 합니다.
- ! 이 제품은 22kg 미만 또는 4세 중 먼저 도래하는 어린이에게 권장됩니다.
- ! 위험하고 불안정한 상태를 방지하기 위해 수납 바구니가 4.5kg를 초과하지 않도록 하십시오.
- ! 아이를 혼자 두지 마십시오. 유모차에 있는 동안 아이는 항상 시야 내에 두어야 합니다.
- ! 한 번에 한 아이만 유모차에 태워야 합니다. 지갑, 쇼핑백, 소포 또는 액세서리를 손잡이나 캐노피에 두지 마십시오.
- ! 제조업체의 승인을 받지 않은 액세서리는 사용해서는 안 됩니다. 제조업체에서 제공하거나 권장하는 교체 부품만 사용해야 합니다.
- ! 과적, 잘못된 접기 또는 다른 제조업체의 구성품을 사용하면 유모차가 손상되고 부서지거나 안전하지 않을 수 있습니다. 사용 설명서를 주의깊게 읽어보십시오.
- ! 이 제품을 사용하기 전에 설명서의 모든 지침을 읽어보십시오. 추후 사용할 수 있도록 사용 설명서를 보관하십시오. 이러한 경고 및 지침을 준수하지 않으면 심각한 부상이나 사망에 이를 수 있습니다.
- ! 떨어지거나 미끄러져 심각한 부상을 입는 일이 발생하지 않도록 하려면 항상 안전 벨트를 착용하십시오.
- ! 유모차를 조정할 때는 아이의 몸이 움직이는 부품에서 멀리 떨어져 있는지 확인하십시오.

- ! 아이를 유모차 근처에 두기 전에 유모차가 완전히 펼쳐졌거나 접혔는지 확인하십시오.
- ! 벨트를 사용하지 않는 경우, 아이가 다리 구멍으로 미끄러져 목이 졸릴 수 있습니다.
- ! 절대로 유모차를 계단이나 에스컬레이터에서 사용하지 마십시오.
- ! 고온의 물체, 액체 및 전자 제품에 가까이 두지 마십시오.
- ! 아이가 유모차에 서있거나 머리를 유모차 앞쪽으로 향하게 하고 유모차에 앉지 않도록 하십시오.
- ! 유모차를 도로, 경사면 또는 위험한 곳에 두지 마십시오.
- ! 목이 졸리는 것을 방지하기 위해 끈이 달린 물건을 아이의 목 주변에 두고, 제품에 끈을 매달거나 장난감에 끈을 달지 마십시오.
- ! 손잡이, 등받이 뒤, 유모차 측면에 짐을 더 가중하면 유모차의 안정성에 영향을 주게 됩니다.
- ! 아이가 유모차에 탄 채로 유모차를 올리지 마십시오.
- ! 수납 바구니를 아이 캐리어로 사용하지 마십시오.
- ! 기울어지는 것을 방지하려면 절대로 아이가 유모차에 올라가지 않도록 하십시오. 항상 유모차의 안팎에서 아이를 들어올리십시오.
- ! 유모차를 펴고 접을 때 손가락이 끼이지 않도록 주의하십시오.
- ! 부상을 방지하기 위해 이 제품을 펼치고 접을 때 아이가 멀리 떨어져 있도록 하십시오.
- ! 아이의 안전을 위해 유모차를 사용하기 전에 모든 부품이 제대로 조립되고 고정되었는지 확인하십시오.
- ! 목이 졸리는 것을 방지하기 위해 아이가 캐노피에서 멀리 떨어져 있는지 확인하십시오.
- ! 유모차를 주차할 때는 항상 브레이크가 걸리게 하십시오.
- ! 유모차가 손상되거나 부서진 경우 사용을 중지하십시오.

- ! 유모차는 걷는 속도로만 사용하십시오. 이 제품은 조깅 중에 사용하도록 설계되지 않았습니다.
- ! 질식되는 것을 방지하기 위해 이 제품을 사용하기 전에 비닐 봉지와 포장재를 제거하십시오. 비닐 봉지와 포장재는 아기와 아이의 손이 닿지 않는 곳에 보관해야 합니다.
- ! 이 제품은 뛰거나 스케이팅할 때는 적합하지 않습니다.
- ! 갓 태어났을 때부터 사용하도록 설계된 유모차는 신생아를 위해 가장 기울어진 위치로 사용할 것을 권장해야 합니다.
- ! 아이를 태우고 내릴 때 주차 장치가 연결되어야 합니다.
- ! 새시와 함께 사용되는 유아 안전장치의 경우 이 유모차가 휴대용 아기 침대나 침대를 대체하지 않습니다. 아이가 자야 할 경우에는 적합한 유모차 차체나 휴대용 아기 침대, 또는 침대에 눕혀야 합니다.
- ! 아이가 스스로 앉고 뒤집기를 하고 스스로 손과 무릎을 짚고 일어날 수 있게 되는 즉시 휴대용 아기 침대는 사용하지 않아야 합니다. 아이의 최대 무게: 9kg.
- ! 휴대용 아기 침대와 함께 제공된 매트리스 이외의 매트리스는 사용하거나 추가하지 마십시오.
- ! 유모차의 손잡이, 시트 뒷면이나 옆면에 물건을 부착하지 마십시오. 추가 하중은 유모차의 안정성에 영향을 줄 수 있으며 유모차가 기울어질 수 있습니다.
- ! 제조업체에서 권장하지 않는 한 추가 매트리스를 더 넣어서는 안 됩니다.
- ! 시트가 뒤쪽을 향하고 있는 경우 유모차를 접지 마십시오.

유모차 조립

(1-12페이지의 그림 참조)

이 제품을 조립하고 사용하기 전에 설명서의 모든 지침을 읽어보십시오.

유모차 열기

이미지 참조 ① - ③

수납 장착 장치에서 수납 래치를 분리한 후 ① 손잡이를 위로 들어올립니다. ② 찰칵 소리가 나면 유모차가 완전히 열린 것입니다.

! 발받침을 아래로 누르고 재설정하십시오. ③ - 1

! 다리 받침대 아래에 버튼을 부착하십시오. ③ - 2

! 계속 사용하기 전에 유모차가 완전히 걸렸는지 확인하십시오.

앞바퀴 조립 및 분리

이미지 참조 ④ - ⑤

뒷바퀴 조립 및 분리

이미지 참조 ⑥ - ⑧

캐노피 조립

이미지 참조 ⑨ - ⑩

손잡이 바 조립 및 분리

이미지 참조 ⑪ - ⑫

완전히 조립된 유모차는 다음과 같이 표시됩니다. ⑬

유모차 작동

등받이 조절

이미지 참조 ⑭ - ⑮

등받이에는 5개의 기울임 각도가 있습니다.

등받이 기울이기

등받이를 기울이면 좌석 뒷면의 기울임 손잡이를 잡고 등받이를 아래로 당겨 내립니다. ⑭

등받이 올리기

등받이를 올리려면 위로 밀니다. ⑮

! 기울임 정도가 사용에 맞게 적절하게 설정되었는지 확인하십시오.

! 등받이의 뒤에 있는 수납 주머니의 최대 적재는 0.45kg입니다.

버클 사용

이미지 참조 ⑯ - ⑰

유모차 해제

가운데 버튼을 눌러 버클을 풉니다. ⑯

버클 잠금

허리 벨트 버클과 어깨 버클 ⑰ - 1을 맞춘 후 이를 중앙 버클과 맞춰 끼웁니다. ⑰ - 2 "찰칵" 소리는 버클이 완전히 잠겼음을 의미합니다. ⑰ - 3

! 떨어지거나 미끄러져 심각한 부상을 입는 일이 발생하지 않도록 하려면 항상 아이를 안전장치로 고정하십시오.

! 아이가 안락하게 고정되었는지 확인하십시오. 아이와 안전벨트 사이에 공간은 한 손이 통과할 정도입니다.

! 어깨 벨트를 교차시키지 마십시오. 이렇게 하면 아이의 목에 압박을 줄 수 있습니다.

어깨 및 허리 벨트 사용

이미지 참조 18-21

! 아이를 좌석에 태운 후 아이가 떨어지지 않도록 보호하기 위해 어깨와 허리 벨트가 적절한 높이와 길이인지 확인하십시오.

- 18-1 안전 벨트 앵커 A
- 18-2 안전 벨트 앵커 B
- 18-3 슬라이드 조절 장치

큰 아이의 경우 안전 벨트 앵커 A와 가장 높은 어깨 슬롯을 사용하십시오. 작은 아이의 경우 안전 벨트 앵커 B와 가장 낮은 어깨 슬롯을 사용합니다.

! 어깨 벨트 앵커의 위치는 잠금 장치로 닫는 개구부 위나 주머니 아래에서 조정할 수 있습니다. 19-1

안전 벨트 앵커의 위치를 조절하려면 앵커를 측면을 향하도록 돌립니다. 안전 벨트 슬롯을 뒤에서 앞으로 통과시킵니다. 19 아이의 어깨 높이와 가장 가까운 슬롯을 다시 통과시킵니다. 20

슬라이드 조절 장치를 사용하여 벨트 길이를 변경합니다. 21-1

버튼 21-2를 누르고 허리 벨트를 적절한 길이로 당깁니다. 21-3

다리 받침대 조절

이미지 참조 22-26

다리 받침대에는 2가지로 위치를 변경할 수 있습니다.

다리 받침대를 올리려면 위로 미십시오. 22 “찰칵” 소리는 다리 받침대가 완전히 잠겼음을 의미합니다.

다리 받침대를 내리려면 다리 받침대 양쪽의 조절 버튼 23-1을 누르고 다리 받침대를 아래로 회전합니다. 23-2

전면 회전 고정 장치 사용

이미지 참조 24

24와 같이 전면 휠이 잠기거나 풀린 상태.

팁 고르지 못한 표면에 회전 고정 장치를 사용할 것을 권장합니다.

브레이크 사용

이미지 참조 25-26

바퀴를 잠그려면 브레이크 레버를 아래로 밟습니다. 25

바퀴를 해제하려면 브레이크 레버를 위로 올리지만 하면 됩니다. 26

팁 스토를러를 움직이지 않을 때는 항상 주차 브레이크를 설정하십시오.

캐노피 사용

이미지 참조 27-28

캐노피는 앞이나 뒤로 당겨 열거나 접을 수 있습니다.

햇빛으로부터 아이를 최대한 보호하기 위해 캐노피를 완전히 열 수 있습니다. 지퍼를 연 후 27 캐노피를 앞쪽으로 당기기만 하면 됩니다.

캐노피에는 아이를 볼 수 있는 창이 있습니다. 28

손잡이 조절

이미지 참조 29

손잡이는 3가지 형태로 사용할 수 있습니다.

시트 높이 조절

이미지 참조 30-31

시트는 3가지 형태로 사용할 수 있습니다.

시트 높이를 위로 높이려면 위로 당기십시오 30

시트 높이 조절 버튼을 누르고 위로 당긴 다음 아래로 누르면 시트 높이가 낮아집니다. 31

시트 전환

이미지 참조 32-38

시트는 엄마와 아이가 서로 얼굴을 마주볼 수 있도록 전환할 수 있습니다.

시트를 올리는 동안 시트 해제 버튼을 잡으십시오. 시트를 반대 방향으로 돌리고 시트를 시트 마운트에 삽입하십시오.

양면 시트 마운트는 33와 같이 수평이어야 하며, 34 & 35와 같은 상황이 발생하면, 시트 높이 조절 버튼을 누르고 위로 당긴 다음 아래로 눌러 시트 높이가 낮춰 양면 시트 마운트가 수평을 이루도록 하십시오. 36

보관 가방을 사용

이미지 참조 39

위험하고 불안정한 상황을 방지하기 위해 보관바구니 및 보관가방에 4.5kg 이상 넣지 마세요.

유모차 접기

이미지 참조 40-43

! 유모차를 접기 전에 캐노피를 접으십시오.

접기 버튼을 누르고 위로 당긴 후, 40 아래쪽으로 돌리면, 41 접기 래치가 자동으로 잠깁니다. 42

! 시트가 낮은 위치에 있으면, 유모차를 접는 동안 시트가 아래로 미끄러져 접기 래치가 자동으로 잠길 수 있습니다.

! 시트가 뒤쪽을 향하고 있는 경우 유모차를 접지 마십시오. 43

! 앞바퀴 회전 잠금 장치가 잠긴 경우 프레임에 접지 마십시오.

! 앞쪽 방향 시트가 장착된 유모차는 손잡이가 가장 높은 위치에 있을 때 세울 수 있습니다

액세서리 사용

액세서리는 별도로 판매되거나 지역에 따라 제공되지 않을 수 있습니다.

방수 커버 사용

이미지 참조 44

방수 커버를 조립하려면 시트 위에 놓으십시오.

! 방수 커버를 사용할 때는 항상 통풍이 잘되는지 확인하십시오.

! 사용하지 않을 때는 접기 전에 방수 커버가 깨끗하고 건조한 상태인지 확인하십시오.

! 방수 커버를 조립한 후에는 유모차를 접지 마십시오.

! 날씨가 더울 때는 아이를 방수 커버가 조립된 유모차에 태우지 마십시오.

유아 안전장치 사용

이미지 참조 45-49

Joie 유아 안전장치 i-Snug 2 & i-Gemm 3 & i-Level Recline & i-Jemini & Gemm과 함께 사용할 경우, 다음 지침을 참조하십시오.

! “찰칵” 소리는 다리 어댑터가 완전히 잠겼음을 의미합니다.

! 유아 안전장치 각도를 조절 가능한 어댑터로 조절할 수 있습니다. 47

! 어댑터는 3가지 형태로 사용할 수 있습니다. 유아 안전장치를 부착한 후 아기의 머리가 발보다 낮은 경우에는 이 제품을 사용하지 마십시오.

! 유아 안전장치를 사용하는 데 문제가 있을 경우 해당 사용 설명서를 참조하십시오.

! 유아 안전장치가 아직 부착되어 있을 경우 유모차를 접지 마십시오.

Joie Ramble, Ramble XL 휴대용 아기 침대와 함께 사용

이미지 참조 50 - 53

Joie 휴대용 아기 침대 ramble, ramble xl을 사용할 경우 다음 지침을 참조하십시오.

- ! 휴대용 아기 침대를 사용하는 데 문제가 있을 경우 해당 사용 설명서를 참조하십시오.
- ! 휴대용 아기 침대를 부착한 후 아기의 머리가 발보다 낮은 경우에는 이 제품을 사용하지 마십시오.
- ! 휴대용 아기 침대를 사용할 때는 항상 매트리스를 사용하십시오.
- ! 휴대용 아기 침대가 부착된 경우 유모차를 접지 마십시오.

Joie Calmi 휴대용 아기 침대와 함께 사용

이미지 참조 54 - 57

Joie Calmi 휴대용 아기 침대를 사용할 경우 다음 지침을 참조하십시오.

- ! “찰칵” 소리는 다리 어댑터가 완전히 잠겼음을 의미합니다.
- ! 휴대용 아기 침대를 사용할 때는 항상 매트리스를 사용하십시오.
- ! 휴대용 아기 침대를 설치하기 전에 휴대용 아기 침대 밑면에 메시가 제대로 고정되어 있는지 확인하십시오.
- ! 휴대용 아기 침대를 사용하는 데 문제가 있을 경우 해당 사용 설명서를 참조하십시오.
- ! 휴대용 아기 침대가 아직 부착되어 있을 경우 유모차를 접지 마십시오.

부드러운 제품 분리 및 조립

이미지 참조 58 - 63

1. 다음 그림처럼 손잡이 바 제거 10
 2. 시트 아래에 있는 버클을 여십시오. 63
- 시트 부드러운 제품을 다시 조립하려면 위 단계를 역순으로 따르십시오 63 - 63

세척 및 유지 관리

이미지 참조 64

- ! 유모차 프레임을 청소하려면 가정용 비누와 따뜻한 물만 사용하십시오. 표백제나 세제를 사용하지 마십시오. 유모차의 천 부분 세탁에 대한 지침은 관리 라벨을 참조하십시오.
- ! 탈착 가능한 부드러운 제품은 세탁기로 세척할 수 있습니다. 표백제를 사용하지 마십시오. 물기를 제거하기 위해 시트 덮개 내부 패딩을 힘을 주어 비틀어 짜지 마십시오. 시트 덮개 및 내부 패딩에 주름이 남을 수 있습니다.
- ! 이따금 유모차에 나사가 풀렸는지, 부품이 마모되었는지, 자재나 바느질 부분이 찢어졌는지 확인하십시오. 필요에 따라 부품을 교체하거나 수리하십시오. 투명한 플라스틱 부분은 젖은 부드러운 천으로 주기적으로 닦으십시오. 유모차가 물에 닿았을 때 녹이 슬지 않도록 금속 부분을 항상 건조시키십시오.
- ! 햇빛이나 열에 과도하게 노출되면 바래지거나 뒤틀어지는 부분이 생길 수 있습니다.
- ! 유모차가 젖게 되면 보관하기 전에 캐노피를 열고 전체적으로 건조시키십시오.
- ! 바퀴에서 끼익거리는 소리가 나면 가벼운 오일(예: 실리콘 스프레이, 녹 방지 오일, 미싱 오일)을 사용하십시오. 오일을 축과 바퀴 어셈블리에 바르는 것이 중요합니다. 64
- ! 해변 또는 다른 모래/먼지가 많은 환경에서 유모차를 사용할 때는 사용하고 나서 메커니즘과 바퀴 어셈블리에 모래나 소금기가 없도록 유모차를 완전히 깨끗하게 청소하십시오.

SR Dobro došli u Joie™

Čestitamo što ste postali deo porodice Joie!
Zadovoljstvo nam je da vas pratimo na putovanju s vašim detetom. Kada putujete sa Joie Alore, koristite visokokvalitetna, u potpunosti sertifikovana kolica, odobrena po evropskim bezbednosnim standardima EN 1888-2:2018+A1:2022. Ovaj proizvod je predviđen za decu do 22 kg ili 4 godine starosti, koji god od ta dva uslova bude prvi ispunjen. Pažljivo pročitajte ovo uputstvo i pratite svaki korak da biste obezbedili udobnu vožnju i najbolju zaštitu za vaše dete.

VAŽNO - PAŽLJIVO PROČITAJTE I SAČUVAJTE ZA BUDUĆU UPOTREBU.

Posetite nas na lokaciji joiebaby.com za preuzimanje uputstava i još uzbudljivih Joie proizvoda!

Za informacije o garanciji posetite našu veb-lokaciju joiebaby.com

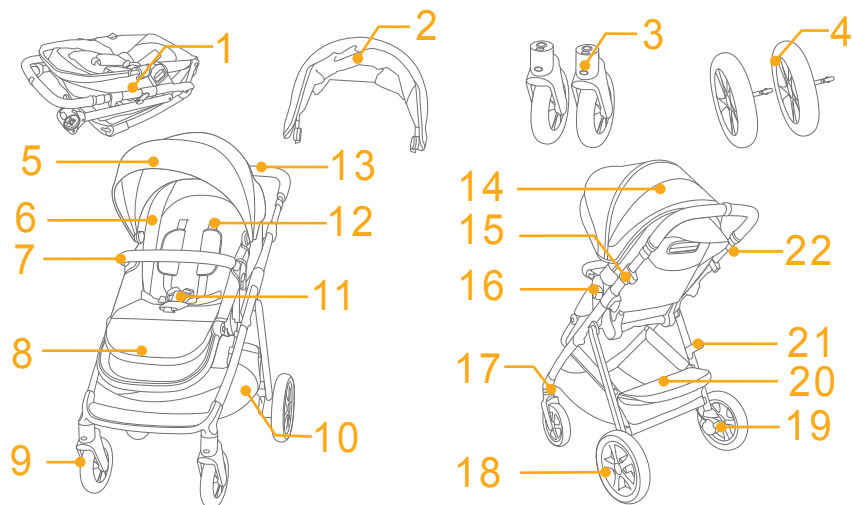
Hitni slučajevi

U hitnim slučajevima ili u slučaju nezgode, najvažnije je da se vaše dete odmah zbrine, pružanjem prve pomoći i pomoći lekara.

Lista delova

Pre sklapanja, uverite se da su svi delovi raspoloživi. Ako bilo koji deo nedostaje, obratite se lokalnom prodavcu. Za sklapanje nije potreban alat.

- | | | | |
|----|-----------------------|----|-----------------------------|
| 1 | Ram kolica | 13 | Ručica |
| 2 | Tenda | 14 | Prozor tende |
| 3 | Prednji točak | 15 | Dugme za sklapanje |
| 4 | Zadnji točak | 16 | Dugme za otpuštanje sedišta |
| 5 | Tenda | 17 | Blokada okretanja |
| 6 | Jastuče sedišta | 18 | Zadnji točak |
| 7 | Prečka za ruke | 19 | Poluga kočnice |
| 8 | Podrška za listove | 20 | Torba za skladištenje |
| 9 | Prednji točak | 21 | Kaiš za skladištenje |
| 10 | Korpa za stvari | 22 | Dugme za podešavanje ručice |
| 11 | Kopča | | |
| 12 | Pojasevi preko ramena | | |

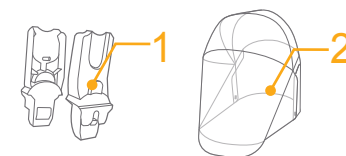


Dodaci

(Možda nije uključeno)

- 1 Adapter (na pojedinim modelima)
- 2 Pokrivač za kišu (na pojedinim modelima)

Dodaci se mogu posebno prodavati ili možda neće biti dostupni u zavisnosti od regije.



UPOZORENJE

- ! Uvek koristite sistem za vezivanje. Sigurnosni pojasevi i sistemi za vezivanje se moraju pravilno koristiti.
- ! Uverite se da su svi mehanizmi za zaključavanje aktivirani pre upotrebe.
- ! Ne dozvolite da se dete igra sa ovim proizvodom.
- ! Proverite da li su telo kolica, jedinica sedišta ili uređaji za kačenje auto-sedišta pravilno aktivirani pre upotrebe.
- ! Odrasla osoba mora da sastavi ovaj proizvod.
- ! Ovaj proizvod se preporučuje za djecu ispod 22 kg ili 4 godine, što god nastupi prije.
- ! Da biste izbegli opasnost i sprečili nestabilno stanje, ne stavljajte u korpu za stvari više od 4,5 kg.
- ! Nikada ne ostavljajte dete bez nadzora. Uvek držite dete na oku kada se nalazi u kolicima.
- ! Nemojte stavljati više od jednog deteta u kolica. Nikada ne stavljajte tašne, kese za kupovinu, pakete ili dodatne predmete na dršku ili tendu.
- ! Dodaci koje nije odobrio proizvođač se ne smeju koristiti. Moraju se koristiti samo zamenski delovi koje je obezbedio ili preporučio proizvođač.
- ! Preopterećivanje, nepravilno sklapanje ili korišćenje delova komponenti od drugih proizvođača može da dovede do oštećenja kolica, da kolica budu polomljena ili nebezbedna. Pažljivo pročitajte uputstvo za upotrebu.
- ! Pročitajte sva uputstva u ovom uputstvu za upotrebu pre korišćenja proizvoda. Sačuvajte uputstvo za upotrebu za buduću upotrebu. Nepridržavanje ovih upozorenja i uputstava može da ima za posledicu ozbiljnu povredu ili smrt.
- ! Da biste izbegli ozbiljne povrede usled isklizavanja ili ispadanja, uvek koristite pojas za sedišta.
- ! Uverite se da telo vašeg deteta nije u kontaktu s pokretnim delovima prilikom podešavanja kolica.

- ! Uverite se da su kolica potpuno otvorena ili sklopljena pre nego što dozvolite da dete bude u njihovoj blizini.
- ! Dete može da isklizne u otvore za noge i da dođe do gušenja ako se ne koriste pojasevi.
- ! Nikada ne koristite kolica na stepenicama ili pokretnim stepenicama.
- ! Držite dalje od predmeta s visokom temperaturom, tečnosti i elektronskih uređaja.
- ! Nikada ne dozvolite detetu da stoji u kolicima ili da sedi u kolicima tako da mu je glava okrenuta prema prednjem delu kolica.
- ! Nikada ne ostavljajte kolica na putu, kosinama ili opasnim mestima.
- ! Da biste izbegli gušenje, NE stavljajte predmete sa uzicom oko vrata vašeg deteta, nemojte kačiti uzice na ovaj proizvod niti kačiti uzice na igračke.
- ! Bilo koji teret prikačen na dršku i/ili na zadnji deo naslona za leđa i/ili sa strana kolica će uticati na stabilnost kolica.
- ! NE podižite kolica kada se dete nalazi u kolicima.
- ! NE koristite korpu za stvari kao nosiljku za dete.
- ! Da biste sprečili prevrtanje, ne dozvolite da se dete penje u kolica. Uvek podignite dete kada ga stavljate u kolica ili vadite iz kolica.
- ! Da ne biste prikleštili prste, pažljivo postupajte prilikom sklapanja ili rasklapanja kolica.
- ! Da biste izbegli povrede, uverite se da dete nije u blizini prilikom rasklapanja ili sklapanja ovog proizvoda.
- ! Da bi vaše dete bilo bezbedno, uverite se da su svi delovi pravilno sastavljeni i pričvršćeni pre nego što budete koristili kolica.
- ! Da biste izbegli gušenje, uverite se da dete nije u kontaktu s tendom.
- ! Uvek aktivirajte kočnice kada ostavljate kolica.
- ! Prestanite da koristite kolica za decu ako su oštećena ili polomljena.

- ! Kolica su predviđena za korišćenje brzinom hodanja. Ovaj proizvod nije predviđen da se koristi prilikom trčanja.
- ! Da biste izbegli gušenje, uklonite plastičnu kesu i materijale za pakovanje pre korišćenja ovog proizvoda. Plastičnu kesu i materijale za pakovanje treba zatim držati van domašaja beba i dece.
- ! Ovaj proizvod nije pogodan za trčanje ili vožnju rolera.
- ! U slučaju kolica koja su predviđena da se koriste za uzrast od rođenja, preporučuje se da se za novorođenčad koristi maksimalno oboren položaj.
- ! Uređaj za parkiranje treba da bude aktiviran prilikom stavljanja ili vađenja deteta.
- ! U slučaju sedišta za dete koja se koriste zajedno sa šasijom, ova kolica nisu zamena za krevetac ili krevet. Ako vaše dete treba da spava, onda je potrebno da stavite dete u odgovarajuću nosiljku, krevetac ili krevet.
- ! Nosiljka se ne sme koristiti kada dete može samo da sedne, okrene se i podigne se na ruke i kolena. Maksimalna težina deteta: 9 kg.
- ! NE koristite i nemojte dodavati druge madrace osim onih koji su isporučeni s nosiljkom.
- ! Nemojte kačiti predmete na dršku, zadnju ili bočnu stranu kolica. Bilo koji dodatni teret će uticati na stabilnost kolica i može dovesti do prevrtanja kolica.
- ! Dodatni dušeci se ne smeju dodavati osim kada je to preporuka proizvođača.
- ! Ne sklapajte ram kada je sedište okrenuto unazad.

Montaža kolica

(Pogledajte slike na stranici 1-12)

Pročitajte sva uputstva u ovom uputstvu za upotrebu pre montiranja i korišćenja proizvoda.

Otvaranje kolica

pogledajte slike 1 - 3

Skinite kaiš za skladištenje sa klina za skladištenje 1, a zatim podignite ručku nagore 2; zvuk klika označava da su kolica potpuno otvorena.

! Pritisnite naslon za noge nadole i ponovo ga postavite. 3 - 1

! Prikačite dugme ispod podrške za listove. 3 - 2

! Uverite se da su kolica potpuno fiksirana pre nego što nastavite sa upotrebom.

Montaža i demontaža prednjih točkova

pogledajte slike 4 - 5

Montaža i demontaža zadnjih točkova

pogledajte slike 6 - 8

Montaža tende

pogledajte slike 9 - 10

Montaža i demontaža prečke za ruke

pogledajte slike 11 - 12

Potpuno montirana kolica su prikazana pod brojem 13

Rukovanje kolicima

Podešavanje naslona za leđa

pogledajte slike 14 - 15

Postoji 5 uglova nagiba za naslon za leđa.

Obaranje naslona za leđa

Da biste oborili naslon za leđa, stisnite ručicu za naginjanje na zadnjem delu sedišta i povucite naslon za leđa nadole. 14

Podizanje naslona za leđa

Da biste podigli naslon za leđa, povucite nagore. 15

! Uverite se da je naslon za leđa pravilno podešen za upotrebu.

! Maksimalno opterećenje džepa za odlaganje na zadnjem delu naslona za leđa je 0,45 kg.

Upotreba kopče

pogledajte slike 16 - 17

Otvaranje kopče

Pritisnite centralno dugme da biste otpustili kopču. 16

Zaključavanje kopče

Poravnajte kopču pojasa preko struka s kopčom pojasa preko ramena 17 - 1 i ubacite u centralnu kopču tako da se čuje zvuk „klika“. 17 - 2 Zvuk „klika“ znači da je kopča potpuno zaključana. 17 - 3

! Da biste izbegli ozbiljne povrede usled isklizavanja ili ispadanja, uvek vežite dete pojasevima.

! Uverite se da je dete čvrsto vezano. Prostor između tela deteta i pojaseva preko ramena približno je debljine jednog dlana.

! Ne ukrštajte pojaseve preko ramena. To može da prouzrokuje pritisak na vratu deteta.

Upotreba pojaseva preko ramena i oko struka

pogledajte slike 18 - 24

! Da biste zaštitili svoje dete od ispadanja, nakon što stavite dete u sedište, proverite da li se pojasevi preko ramena i oko struka nalaze na pravilnoj visini i da li su pravilne dužine.

- 18 - 1 Tačka vezivanja A pojasa preko ramena
- 18 - 2 Tačka vezivanja B pojasa preko ramena
- 18 - 3 Klizni podešavač

Za dete krupnije građe koristite tačku vezivanja A pojasa preko ramena i najviše otvore u predelu ramena. Za dete sitnije građe koristite tačku vezivanja B pojasa preko ramena i najniže otvore u predelu ramena.

! +Pozicija tačke vezivanja pojasa preko ramena se može prilagoditi iz gornjeg otvora koji se zatvara pomoću zatvarača ili ispod džepa. 19 - 1

Da biste podesili poziciju kopče vezivanja pojasa preko ramena, okrenite kopču tako da bude u nivou sa stranom okrenutom unapred. Povucite ih kroz otvor za pojaseve preko ramena od napred prema nazad. 19
Ponovo ih povucite kroz otvor koji je najbliži visini ramena deteta. 20

Koristite klizni podešavač da biste promenili dužinu pojasa. 21 - 1

Pritisnite dugme 21 - 2, dok povlačite pojas oko struka na pravilnu dužinu. 21 - 3

Podešavanje podrške za listove

pogledajte slike 22 - 23

Podrška za listove ima 2 položaja.

Za podizanje podrške za listove, gurnite je nagore. 22 Zvuk „klika“ znači da je podrška za listove potpuno zaključana.

Da spustite podršku za listove, pritisnite dugmad za podešavanje sa obe strane podrške za listove 23 - 1, a zatim rotirajte podršku za listove nadole. 23 - 2

Upotreba blokade prednjih pokretnih točkova

Pogledajte sliku 24

Status zaključanog ili otključanog prednjeg točka 24.

Savet Preporučuje se da koristite blokadu pokretnih točkova na neravnim površinama.

Upotreba kočnice

pogledajte slike 25 - 26

Da biste zaključali točkove, pritisnite polugu kočnice nadole. 25

Da biste otpustili točkove, podignite polugu kočnice nagore. 26

Savet Uvek koristite parkirnu kočnicu kada se kolica ne kreću.

Upotreba tende

pogledajte slike 27 - 28

Tenda se može otvoriti ili sklopiti, povucite je unapred ili unazad.

Tenda se može potpuno otvoriti da biste u potpunosti zaštitili svoje dete od sunca, samo otkopčajte rajsferšlus 27, a zatim povucite tendu unapred.

Na tendi postoji prozor kroz koji možete da vidite svoju bebicu. 28

Za podešavanje drške

Pogledajte sliku 29

Drška ima 3 pozicije.

Podešavanje visine sedišta

pogledajte slike 30 - 31

Sedište ima 3 pozicije.

Povucite sedište nagore da povećate visinu sedišta. 30

Pritisnite dugmad za podešavanje visine sedišta i povucite nagore, a zatim pritisnite nadole da smanjite visinu sedišta. 31

Prebacivanje sedišta

pogledajte slike 32 - 33

Sedište se može prebaciti tako da majka i dete budu lice u lice jedno s drugim.

Pritisnite dugmad za otpuštanje sedišta i pri tom ga podignite. Okrenite sedište u suprotnom smeru i zatim ubacite nosače za sedište.

Oba položaja sedišta treba da budu poravnata što je prikazano kao 32, ako se dese situacije prikazane kao 33 i 35, pritisnite dugme za podešavanje visine sedišta i povucite nagore, a zatim gurnite nadole da biste smanjili visinu sedišta i obezbedili da oba položaja sedišta budu poravnata. 35

Koristite vrećicu za pohranu

Pogledajte sliku 36

Kako biste spriječili opasno, nestabilno stanje, ne stavljajte više od 4,5 kg u košaru za pohranu i torbu za pohranu.

Sklapanje kolica

pogledajte slike 40 - 43

! Savijte tendu pre sklapanja kolica.

Pritisnite dugme za sklapanje i povucite nagore, 40 a zatim rotirajte ručicu nadole, 41 tako da se brava za sklapanje može automatski zaključati. 42

! Ako je sedište u nižem položaju, može se gurnuti nadole prilikom sklapanja kolica kako bi se obezbedilo da se brava za sklapanje automatski zaključa.

! Ne sklapajte ram kada je sedište okrenuto unazad. 43

! Ne sklapajte ram kada je blokada prednjih pokretnih točkova zaključana.

! Kolica sa sedištem okrenutim unapred mogu da stoje kada je ručica u najvišem položaju.

Upotreba dodataka

Dodaci se mogu posebno prodavati ili možda neće biti dostupni u zavisnosti od regije.

Upotreba pokrivača za kišu

Pogledajte sliku 44

Za montažu pokrivača za kišu postavite ga preko sedišta.

! Kada koristite pokrivač za kišu, uvek proverite njegovu ventilaciju.

! Kada se ne koristi, uverite se da je pokrivač za kišu očišćen i osušen pre sklapanja.

! Ne sklapajte kolica posle montaže pokrivača za kišu.

! Ne stavljajte dete u kolica s montiranim pokrivačem za kišu tokom visokih temperatura.

Upotreba sa sedištem za dete

pogledajte slike 45 - 46

Kada koristite Joie sedište za dete i-Snug 2 & i-Gemm 3 & i-Level Recline & i-Jemini & Gemm, pogledajte sledeća uputstva.

! Zvuk „klika“ znači da je adapter potpuno zaključan.

! Ugao sedišta za dete se može podesiti korišćenjem naših adaptera za podešavanje. 47

! Adapter ima 3 pozicije. Ne koristite ovaj proizvod kada se bebina glava nalazi niže u odnosu na stopala nakon što se vežu pojasevi.

! Ako budete imali bilo koji problem pri korišćenju sedišta za dete, pogledajte njegovo uputstvo za upotrebu.

! Nemojte sklapati kolica kada je sedište za dete još uvek prikačeno.

Upotreba sa Joie Ramble, Ramble XL nosiljkom

[pogledajte slike 50 - 53](#)

Kada koristite Joie nosiljku ramble, ramble xl, pogledajte sledeća uputstva.

- ! Ako budete imali bilo koji problem pri korišćenju nosiljke, pogledajte njeno uputstvo za upotrebu.
- ! Ne koristite ovaj proizvod kada se bebina glava nalazi niže od stopala nakon što se prikači nosiljka.
- ! Uvek koristite madrac kada koristite nosiljku.
- ! Ne sklapajte kolica posle kačenja nosiljke.

Upotreba sa Joie Calmi nosiljkom

[pogledajte slike 54 - 57](#)

Kada koristite Joie Calmi nosiljku, pogledajte sledeća uputstva.

- ! Zvuk „klika“ znači da je adapter potpuno zaključan.
- ! Uvek koristite madrac kada koristite nosiljku.
- ! Uverite se da je mrežasti deo na dnu nosiljke pravilno fiksiran pre montaže nosiljke.
- ! Ako budete imali bilo koji problem pri korišćenju nosiljke, pogledajte njeno uputstvo za upotrebu.
- ! Nemojte sklapati kolica kada je nosiljka još uvek prikačena.

Montaža i demontaža mekih dodataka

[pogledajte slike 58 - 63](#)

1. Uklonite prečku za ruke kao što je prikazano [12](#)
2. Otvorite bravu koja se nalazi na dnu sedišta [58](#)

Da biste ponovo sastavili meke dodatke sedišta, pratite gorenavedene korake u obrnutom redosledu [63](#) - [58](#)

Čišćenje i održavanje

[Pogledajte sliku 64](#)

- ! Da biste očistili ram kolica, koristite samo sapun za upotrebu u domaćinstvu i toplu vodu. Ne koristite izbeljivač ili deterdžent. Pogledajte etiketu za brigu o proizvodu za uputstva o čišćenju delova od tkanine na kolicima.
- ! Meki dodaci koji se mogu ukloniti se mogu oprati u mašini za veš. Ne koristite izbeljivač. Ne koristite preveliku silu kada uvrćete pokrivač sedišta i unutrašnju postavu da biste ih osušili. To može dovesti do nabora na pokrivaču sedišta i unutrašnjoj postavi.
- ! Povremeno proveravajte da li na vašim kolicima postoje olabavljeni vijci, pohabani delovi, pocepani materijal ili šavovi. Zamenite ili popravite takve delove prema potrebi. Povremeno očistite plastične delove koristeći meku, vlažnu krpu. Uvek osušite metalne delove da biste sprečili nastanak rđe ako su kolica bila u kontaktu s vodom.
- ! Predugo izlaganje sunčevim zracima ili toploti može dovesti do toga da delovi izblede ili se iskrive.
- ! Ako se kolica pokvase, otvorite tendu i ostavite ih da se potpuno osuše pre nego što ih odložite.
- ! Ako točkovi škripe, koristite lako ulje (npr. silikonski sprej, ulje protiv rđe ili ulje za šivaće mašine). Važno je da nanese ulje na sklop točka i osovine. [64](#)
- ! Kada koristite kolica na plaži ili u sličnom okruženju s peskom ili prašinom, nakon upotrebe potpuno očistite kolica da biste uklonili pesak i so iz mehanizma i točkova.



JoieTM

Allison Baby UK Ltd,
Venture Point, Towers Business Park
Rugeley, Staffordshire, WS15 1UZ

NUNA International B.V.
Van der Valk Boumanweg 178 C,
2352 JD Leiderdorp, The Netherlands

bring the kidsTM

Share the joy at joiebaby.com

IM-001198B