

Joie™

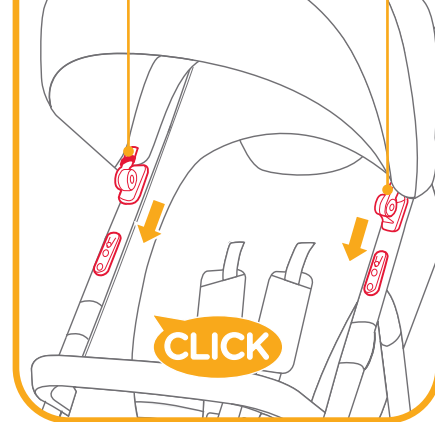
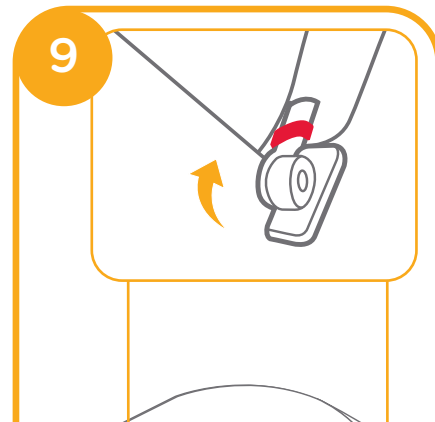
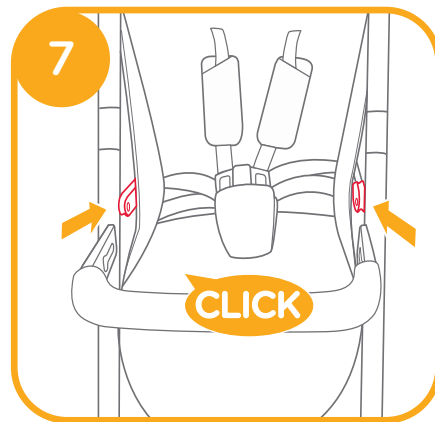
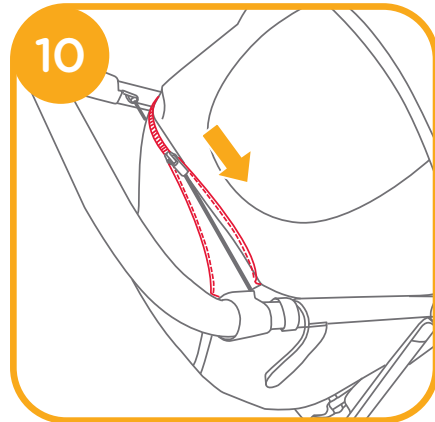
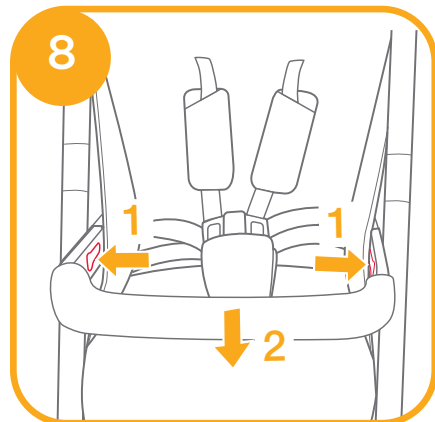
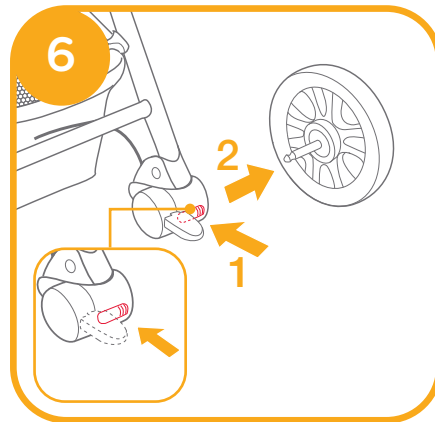
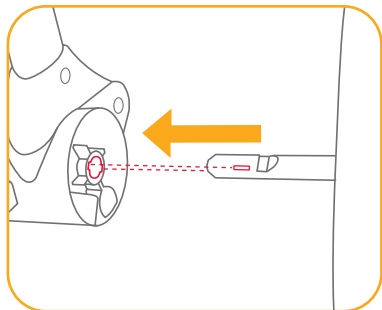
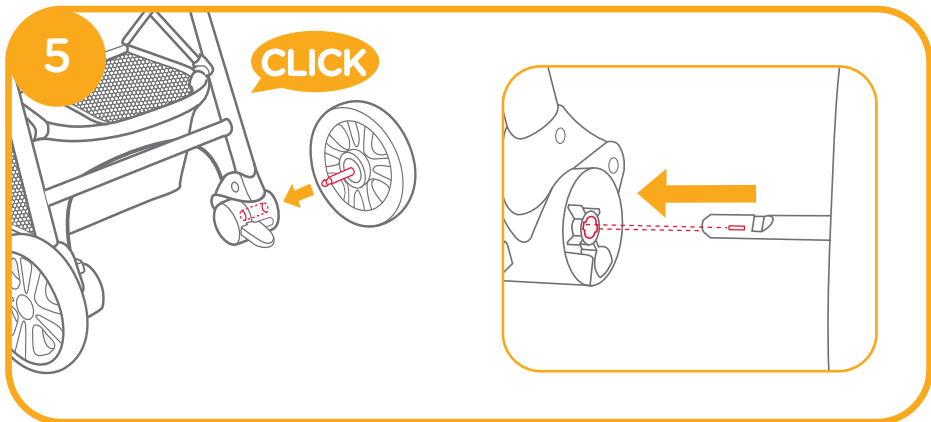
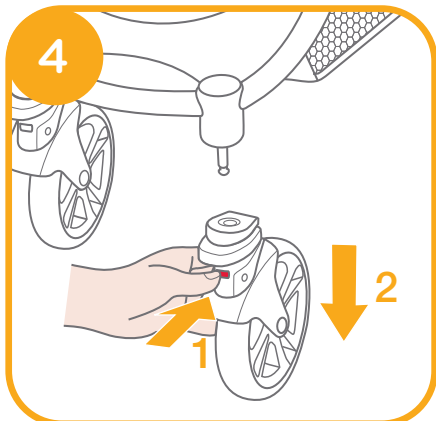
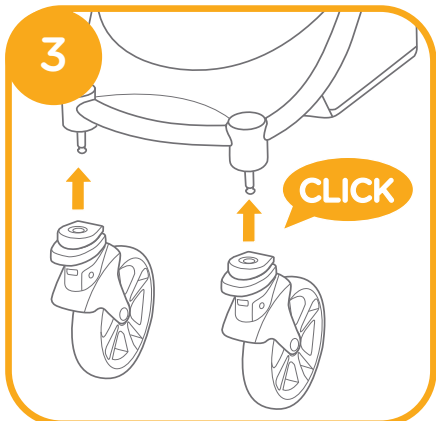
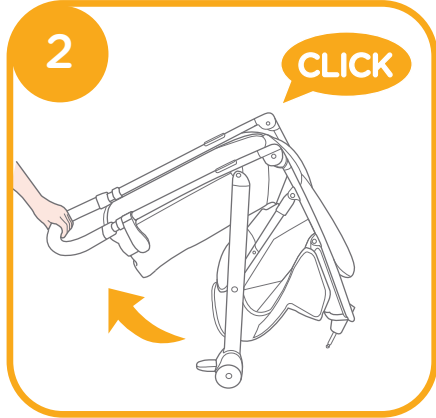
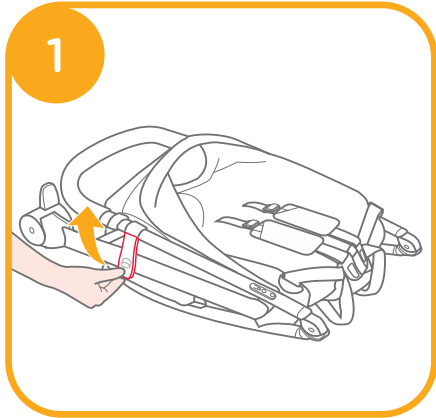
litetrax™ 4 dlx litetrax™ 4 dlx air stroller

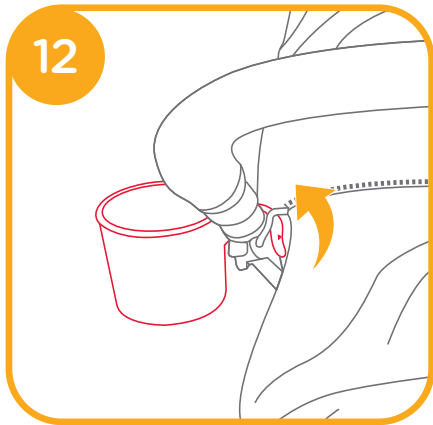
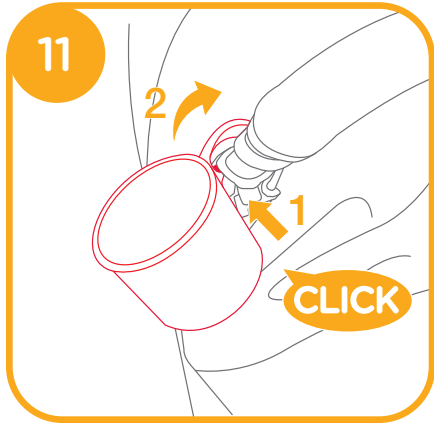
- GB Instruction Manual
- FR Manuel d'utilisateur
- DE Bedienungsanleitung
- ES Manual de instrucciones
- PT Manual de Instruções
- PL Instrukcja obsługi
- IT Manuale di istruzioni
- NL Handleiding
- TR Kullanma kılavuzu
- RU Руководство по эксплуатации
- AR دليل التعليمات
- CH 說明書
- ZH 说明书
- HU Használati utasítás
- CZ Návod k obsluze
- SK Návod na použitie
- SL Navodila za uporabo



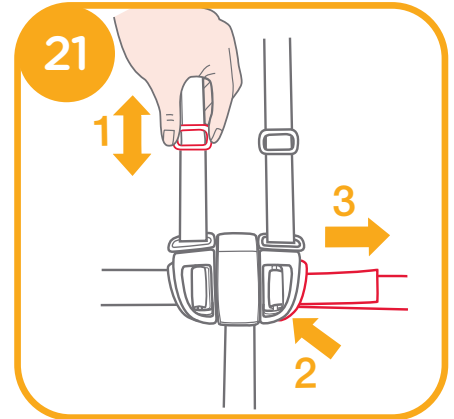
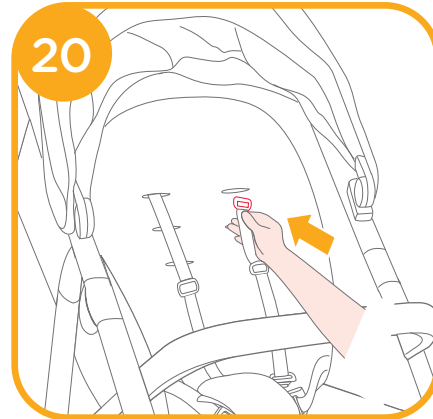
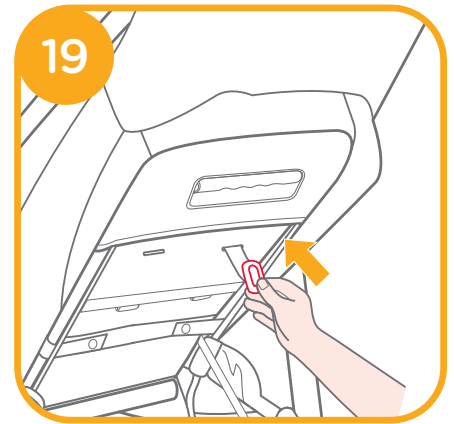
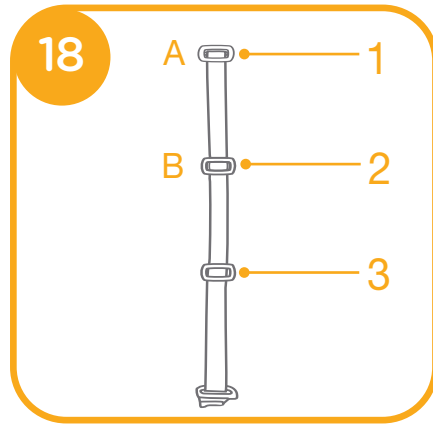
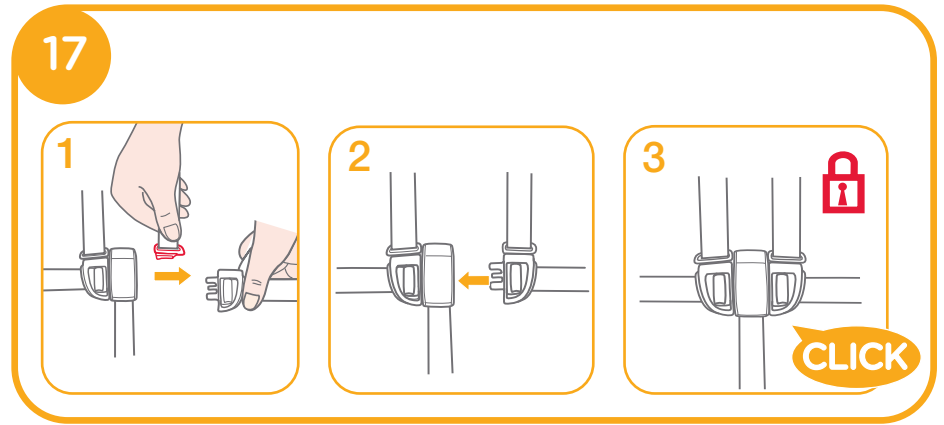
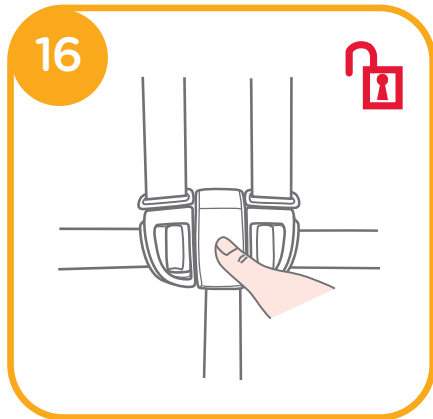
IMPORTANT - READ CAREFULLY AND KEEP FOR FUTURE REFERENCE

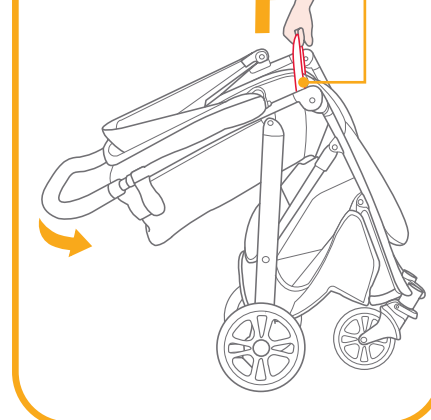
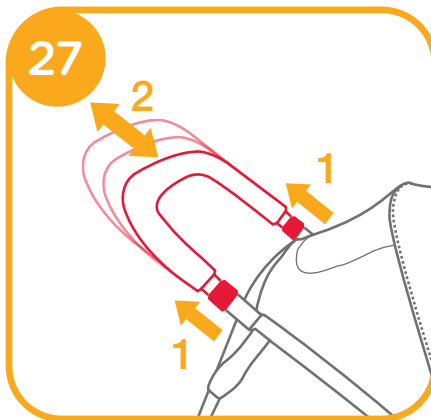
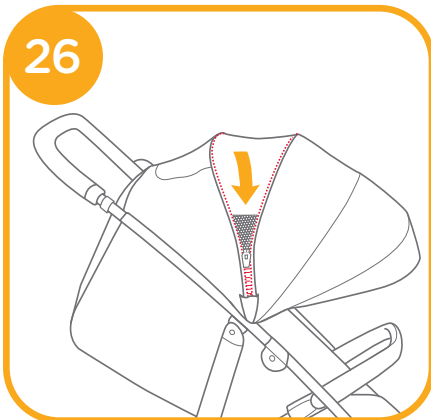
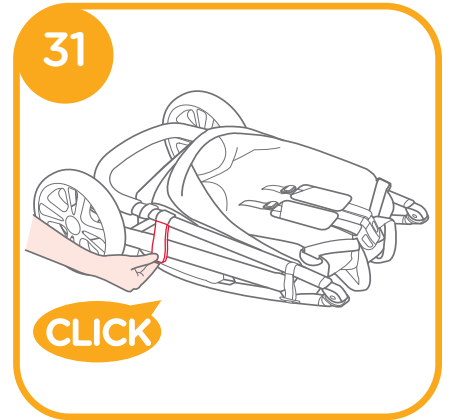
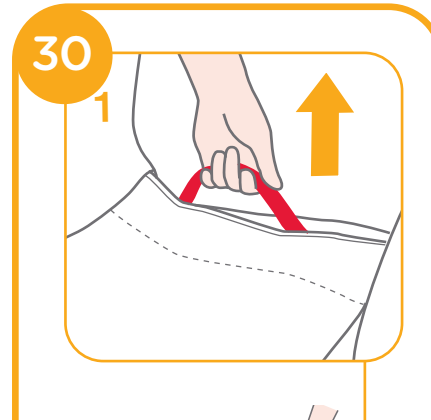
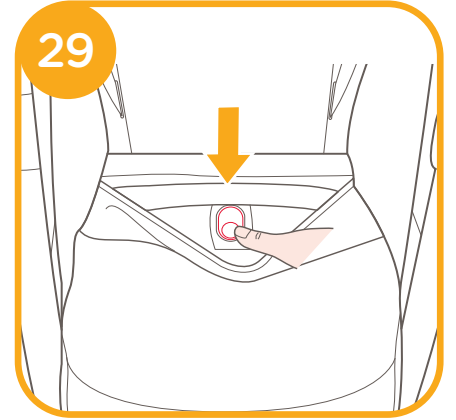
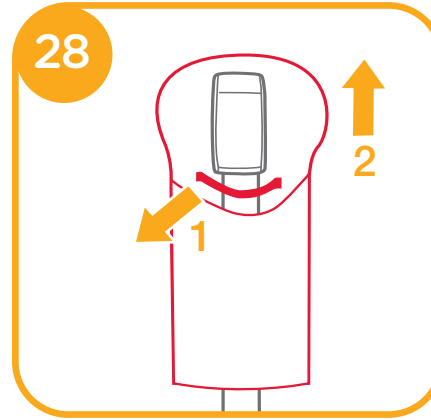
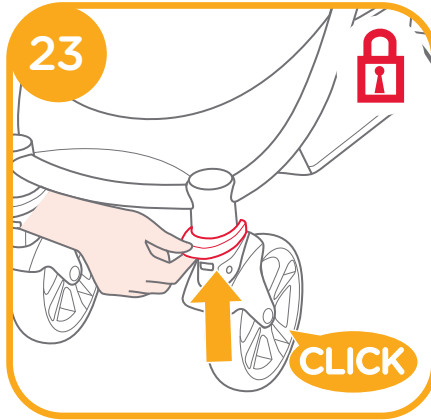
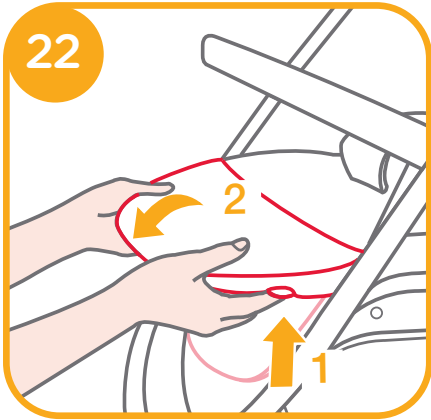
Stroller Assembly





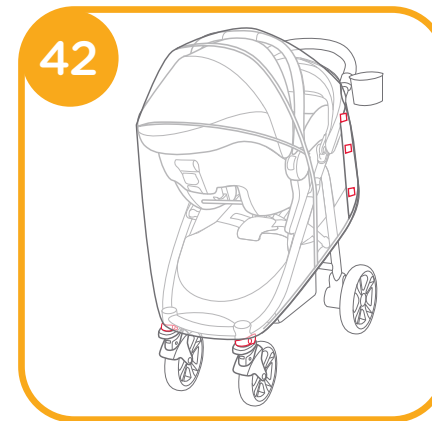
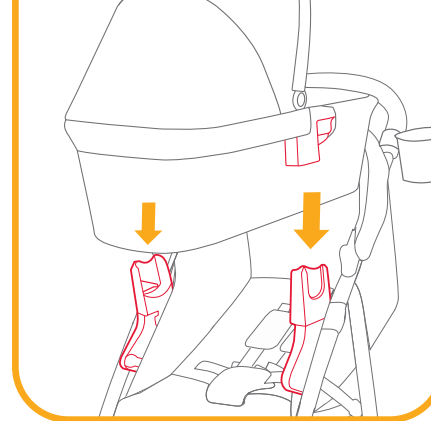
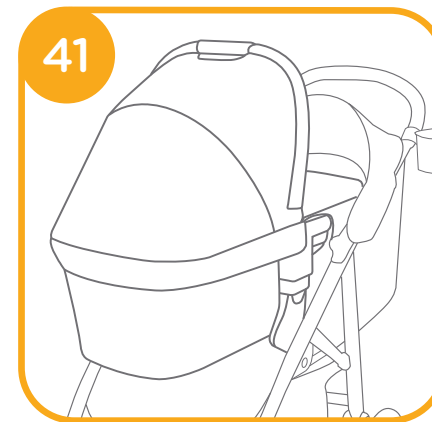
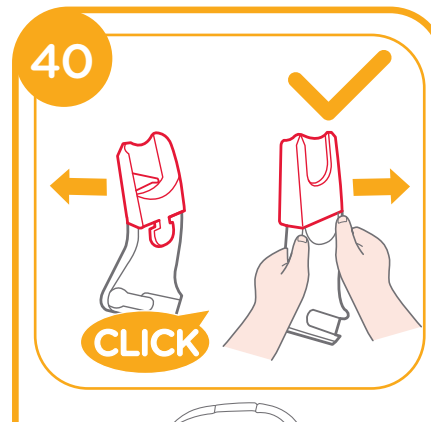
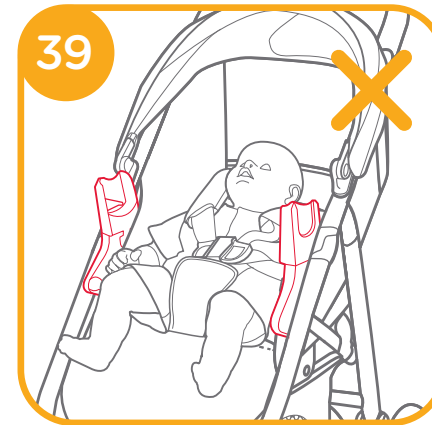
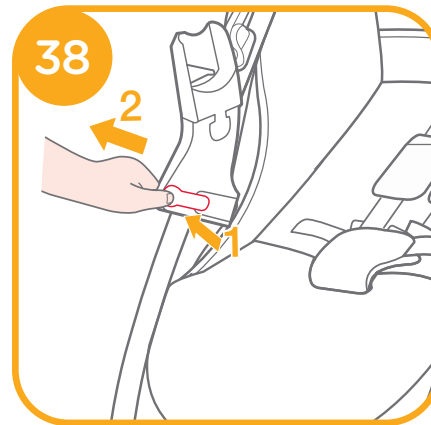
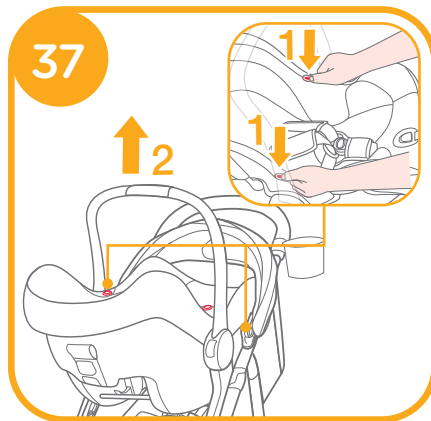
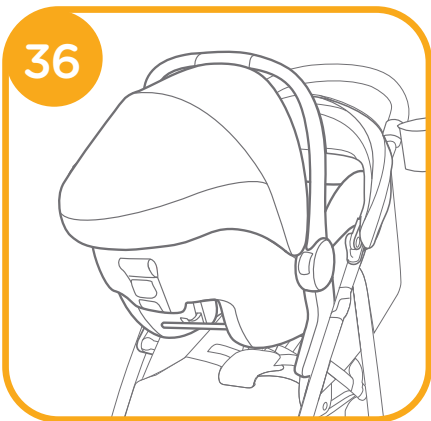
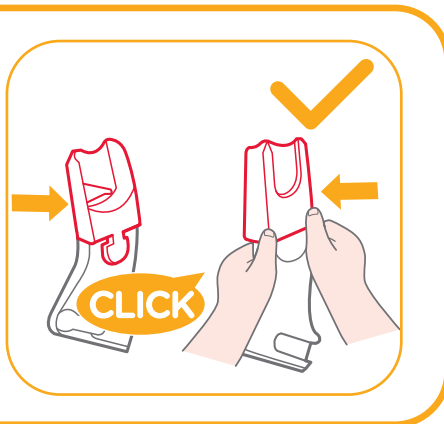
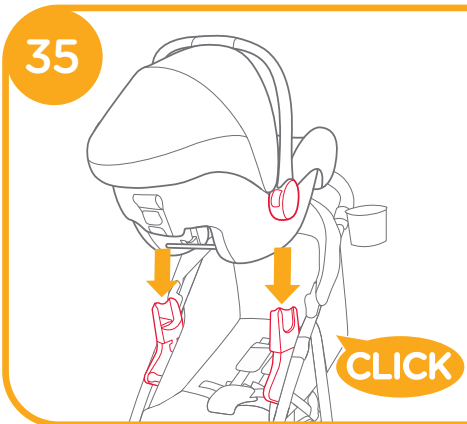
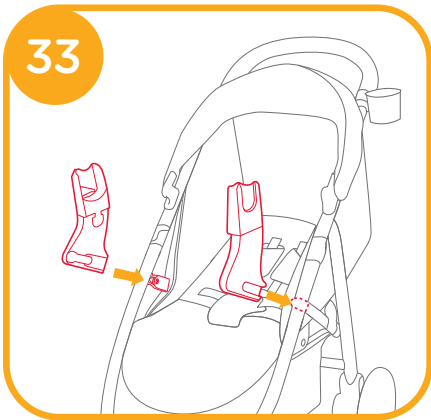
Stroller Operation

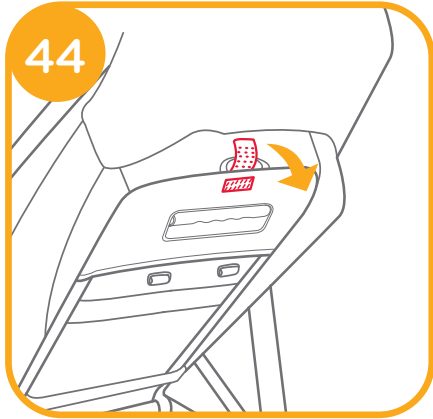




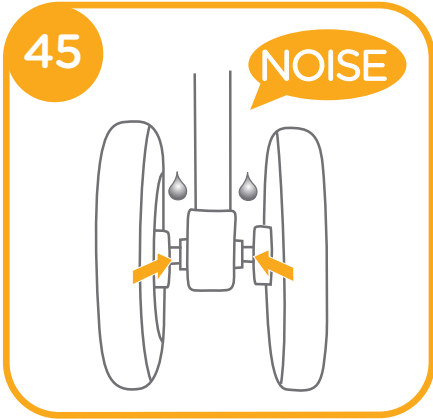
Accessories (May not be included in purchase)

Accessories may be sold separately or may not be available depending on region.





Care and Maintenance



NOTE

GB Welcome to Joie™

Congratulations on becoming part of the Joie family! We are so excited to be part of your journey with your little one. While traveling with the Joie litetrax™ 4 dlx, you are using a high quality, fully certified stroller, approved to European safety standards EN 1888-2:2018. This product is suitable for children up to 22kg or 4 years whichever comes first. Please carefully read this manual and follow each step to ensure a comfortable ride and best protection for your child.

IMPORTANT - READ CAREFULLY AND KEEP FOR FUTURE REFERENCE.

Visit us at joiebaby.com to download manuals and see more exciting Joie products!

For warranty information, please visit our website at joiebaby.com

Contents

Figures	1-9
WARNING	15
Stroller Assembly	18
Open Stroller	18
Assemble & Detach Front Wheel	18
Assemble & Detach Rear Wheel	18
Assemble & Detach Armbar	18
Assemble Canopy	18

Assemble & Detach Cupholder	19
Stroller Operation	19
Adjust Backrest	19
Use Buckle	19
Use Shoulder & Waist Harnesses	20
Adjust Calf Support	21
Use Front Swivel Lock	21
Use Brake	21
Use Canopy	21
Adjust Handle	22
Use Shoulder Harness Cover and Crotch Harness Cover	22
Fold Stroller	22
Use Accessories	22
Cleaning and Maintenance	25

Emergency

In case of emergency or accident, it is most important to have your child taken care of with first aid and medical treatment immediately.

Product Information

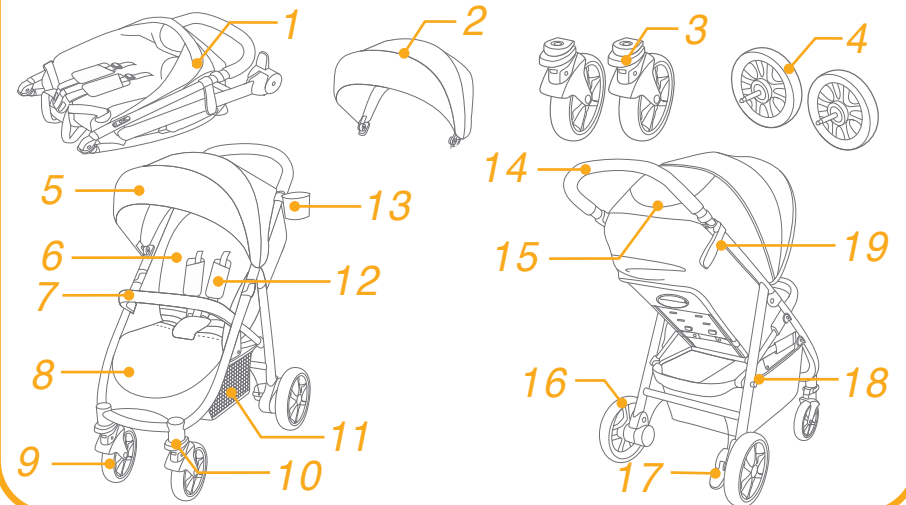
Read all the instructions in this manual before using this product. If you have any further questions, please consult the retailer. Some features may vary depending on model.

Product	Litetrax™ 4 dlx Stroller
Suitable for	This product is suitable for children up to 22kg or 4 years whichever comes first
Materials	Plastics, metal, fabrics
Patent No.	Patents pending
Made in	China
Brand Name	Joie
Website	www.joiebaby.com
Manufacturer	Allison GmbH

Parts List

Make sure all parts are available before assembly. If any part is missing, please contact local retailer. No tools are required for assembly.

- | | |
|------------------|---------------------|
| 1 Stroller Frame | 11 Storage Basket |
| 2 Canopy | 12 Shoulder Harness |
| 3 Front Wheel | 13 Cupholder |
| 4 Rear Wheel | 14 Handle |
| 5 Canopy | 15 Canopy Window |
| 6 Seat Pad | 16 Rear Wheel |
| 7 Armbar | 17 Brake Lever |
| 8 Calf Support | 18 Storage Mount |
| 9 Front Wheel | 19 Storage Latch |
| 10 Swivel Lock | |

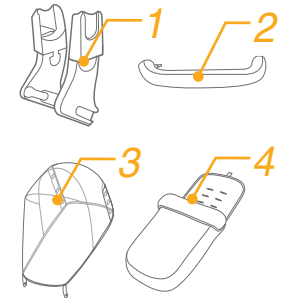


Accessories

(May not be included)

- | | |
|----------------------------------|------------------------------------|
| 1 Adapter (on certain models) | 2 Armbar Cover (on certain models) |
| 3 Rain cover (on certain models) | 4 Footmuff (on certain models) |

Accessories may be sold separately or may not be available depending on region.



WARNING

- ! WARNING Always use the restraint system. Safety belts and restraint systems must be used correctly.
- ! WARNING Ensure that all the locking devices are engaged before use.
- ! WARNING Do not let the child play with this product.
- ! WARNING Check that the pram body or infant child restraint attachment devices are correctly engaged before use.
- ! Adult assembly required.
- ! This product is suitable for children up to 22kg or 4 years whichever comes first. It will cause damage to the stroller with an unfitted child.
- ! To prevent a hazardous, unstable condition, do not place more than 4.5kg in the storage basket.
- ! The maximum recommended weight in the cupholder is 1lbs (0.5kg).
- ! WARNING Never leave the child unattended. Always keep child in view while in stroller.
- ! Use the stroller with only one child at a time. Never place purses, shopping bags, parcels or accessory items on the handle or canopy.
- ! Accessories which are not approved by the manufacturer shall not be used. Only replacement parts supplied or recommended by the manufacturer shall be used.
- ! Overloading, folding incorrectly, or using component parts from other manufacturers may cause the stroller to be damaged, broken or unsafe. Please read the instruction manual carefully.
- ! Please read all the instructions in the manual before using the product. Please save instruction manual for future use. Failure to follow these warnings and instructions may result in serious injury or death.
- ! To avoid serious injury from falling or sliding out, always use seat belt.

- ! Make sure your child's body is clear from the moving parts when adjusting the stroller.
- ! Be sure the stroller is fully open or folded before allowing child near the stroller.
- ! Child may slip into leg openings and be strangled if the harness is not used.
- ! Never use stroller on stairs or escalators.
- ! Keep away from high temperature objects, liquids, and electronics.
- ! Never allow your child to stand on the stroller or sit in the stroller with head toward front of stroller.
- ! Never place the stroller on roads, slopes or dangerous areas.
- ! To avoid strangulation, DO NOT place items with a string around your child's neck, suspend strings from this product, or attach strings to toys.
- ! Any load attached to the handle and/or on the back of the backrest and/or on the sides of the stroller will affect the stability of the stroller.
- ! DO NOT lift stroller while child is in stroller.
- ! DO NOT use storage basket as a child carrier.
- ! To prevent tipping, never let child climb the stroller. Always lift the child in and out of the stroller.
- ! To avoid finger entrapment, use care when folding and unfolding the stroller.
- ! WARNING To avoid injury ensure that the child is kept away when unfolding and folding this product.
- ! To ensure your child's safety, please make sure all parts are assembled and fastened properly before using the stroller.
- ! To avoid strangulation, do make sure your child is clear from the canopy.

- ! Always engage the brakes when parking the stroller.
- ! Discontinue using stroller if it is damaged or broken.
- ! Stroller to be used only at walking speed. This product is not intended for use while jogging.
- ! To avoid burns, never put hot liquids in your cupholder.
- ! To avoid suffocation, remove plastic bag and packaging materials before using this product. The plastic bag and packaging materials should then be kept away from babies and children.
- ! This product is not suitable for running or skating.
- ! Pushchair designed to be used from birth shall recommend the use of the most reclined position for new born babies.
- ! The parking device shall be engaged when placing and removing children.
- ! For infant child restraints used in conjunction with a chassis, this vehicle does not replace a cot or a bed. Should your child need to sleep, then it should be placed in a suitable pram body, cot or bed.
- ! The carry cot shall not be used, as soon as the child is able to sit by himself, roll over and can push itself up on its hands and knees. Maximum weight of the child: 9 kg.
- ! No additional mattress shall be added unless recommended by the manufacturer.
- ! Do not attach items to the handle, seat back or sides of the stroller. Any additional load will affect the stability of the stroller and could cause the stroller to tip.

Stroller Assembly

(Please refer to figures on page 1-9)

Please read all the instructions in this manual before assembling and using this product.

Open Stroller

see images ① - ②

Separate storage latch from storage mount ①, and then lift the handle upwards ②, a click sound means the stroller is open completely.

! Check that the stroller is completely latched before continuing to use.

Assemble & Detach Front Wheel

see images ③ - ④

Assemble & Detach Rear Wheel

see images ⑤ - ⑥

Assemble & Detach Armbar

see images ⑦ - ⑧

Assemble Canopy

see images ⑨ - ⑩

Assemble & Detach Cupholder

see images 11 - 12

The completely assembled stroller is shown as 13

Stroller Operation

Adjust Backrest

see images 14 - 15

There are 4 recline angles for the backrest.

Recline Backrest

To recline the backrest, squeeze the recline handle on the back of the seat, pull down on the backrest. 14

Raise Backrest

To raise the backrest, push up. 15

! Make sure the recline is set properly for use.

Use Buckle

see images 16 - 17

Release Buckle

Press the center button to release the buckle. 16

Lock Buckle

Match the waist belt buckle with the shoulder buckle 17 - 1, and click into the center buckle. 17 - 2 A “click” sound means the buckle is locked completely. 17 - 3

! To avoid serious injury from falling or sliding out, always secure your child with harness.

! Make sure your child is snugly secured. The space between the child and the shoulder harness is about the thickness of one hand.

! Do not cross the shoulder belts. This will cause pressure on a child’s neck.

Use Shoulder & Waist Harnesses

see images 18 - 21

! In order to protect your child from falling out, after your child is placed into the seat, check whether the shoulder and waist harnesses are at proper height and length.

18 - 1 Shoulder harness anchor A

18 - 2 Shoulder harness anchor B

18 - 3 Slide adjuster

For larger child, use shoulder harness anchor A and the highest shoulder slots. For smaller child, use shoulder harness anchor B and the lowest shoulder slots.

To adjust the position of the shoulder harness anchor, turn the anchor to be level with the side facing forward. Thread it through the shoulder harness slot from back to front. 19
Rethread it through the slot that is closest to child's shoulder height. 20

Use slide adjuster to change the harness length. 21 - 1

Press the button 21 - 2, while pulling the waist harness to proper length. 21 - 3

Adjust Calf Support

see images 22

The calf support has 2 positions.

To raise the calf support, push it upwards. A "click" sound means the calf is locked completely.

To lower calf support, press the adjustment buttons on both sides of the calf support 22 - 1, and rotate the calf support downwards. 22 - 2

Use Front Swivel Lock

see images 23

Push up the front swivel locks to maintain the moving direction.

23

Tip It is recommended to use swivel locks on uneven surfaces.

Use Brake

see images 24 - 25

To lock wheels, step the brake lever downwards. 24

To release wheels, just lift the brake lever upwards. 25

Tip Always set the parking brake when stroller is not moving.

Use Canopy

see images 26

The canopy can be opened or folded, pull it toward front or back.

The canopy can be opened completely to protect your child from the sun uttermostly, just unzip the zip 26, and then pull the canopy toward front.

There is a window on the canopy, through which you can view your baby.

Adjust Handle

see images 27

Use Shoulder Harness Cover and Crotch Harness Cover

see images 28

The shoulder harness cover or crotch harness cover 28 can be removed from the webbing. To assemble shoulder harness cover and crotch harness cover in reverse steps.

Fold Stroller

see images 29 - 32

! Please fold the canopy before folding the stroller.

1. Pull the folding webbing upward, the frame will automatically fold backward. 30 - 1
2. The storage latch will automatically hook onto the storage mount, then the stroller is folded and locked completely. 31
3. The stroller can stand when folded. 32

Use Accessories

Accessories may be sold separately or may not be available depending on region.

Use with Infant Child Restraint

see images 33 - 39

When using with Joie infant child restraint gemm, i-Gemm 2, i-Snug,i-Level, please refer to the following instructions.

- ! Before using the infant child restraint, please make sure the backrest has been adjusted to the lowest position and the infant child restraint has been fastened.
- ! If you have any problems about using the infant child restraint, please refer to their own instruction manuals.
- ! Please do not fold the stroller when the infant child restraint is still attached.

Use with Joie Carry Cot

see images 40 - 41

When using with Joie carry cot ramble, ramble xl, please refer to the following instructions.

- ! If you have any problems about using the carry cot, please refer to their own instruction manuals.
- ! Always use the mattress when using the carry cot.
- ! Please don't fold stroller when attaching the carry cot.

Use Rain Cover

see images 42

To assemble the rain cover, place it over the stroller, and then attach the 8 pairs of hook and loop fasteners on the rain cover.

42

- ! Before using the rain cover, please make sure the backrest has been adjusted to the lowest position and the infant child restraint has been fastened.
- ! When using the rain cover, please always check its ventilation.
- ! When not in use, please check that the rain cover has been cleaned and dried before folding.
- ! Do not fold the stroller after assembling the rain cover.
- ! Do not place your child into the stroller assembled with rain cover during hot weather.

Use Footmuff

see images 43 - 44

Cleaning and Maintenance

see images 45

- ! To clean stroller frame, use only household soap and warm water. No bleach or detergent. Please refer to the care label for instructions on cleaning the fabric parts of the stroller.
- ! From time to time, check your stroller for loose screws, worn parts, torn material or stitching. Replace or repair the parts as needed. Periodically wipe clean plastic parts with a soft damp cloth. Always dry the metal parts to prevent the formation of rust if the stroller has come into contact with water.
- ! Excessive exposure to sun or heat could cause fading or warping of parts.
- ! If stroller becomes wet, open canopy and allow to dry thoroughly before storing.
- ! If wheels squeak, use a light oil (e.g., Silicon Spray, antirust oil, or sewing machine oil). It is important to get the oil into the axle and wheel assembly. 45
- ! When using your stroller at the beach or other sandy/dusty environments, completely clean your stroller after use to remove sand and salt from mechanisms and wheel assemblies.

FR Bienvenue dans l'univers de Joie™

Félicitations, vous faites désormais partie de la famille Joie ! Nous avons hâte de vous accompagner dans vos balades avec votre bébé. En choisissant la poussette Litetrax™ 4 dlx, vous utilisez un produit de grande qualité, certifié par un laboratoire agréé indépendant et conforme aux normes européennes de sécurité EN 1888-2:2018. Ce produit est convient aux enfants de la naissance à 22 kg. Veuillez lire attentivement les instructions de ce mode d'emploi et suivre chaque étape pour garantir le confort et la meilleure protection de votre enfant lors de vos déplacements.

IMPORTANT - A LIRE ATTENTIVEMENT ET A CONSERVER POUR CONSULTATION ULTERIEURE.

Rendez-vous notre site joiebaby.com si vous avez besoin d'informations complémentaires ou pour télécharger des manuels d'instructions et découvrir d'autres produits intéressants de la marque Joie!

Pour plus d'informations sur la garantie, veuillez consulter notre site Web à l'adresse suivante: www.joiebaby

Sommaire

Schémas	1-9
AVERTISSEMENTS	29
Assemblage de la poussette	31
Ouverture de la poussette	31
Fixation et retrait des roues avant	31
Fixation et retrait des roues arrière	31
Installation et retrait de la barre de retenue	31
Installation de la capote	31
Installation et retrait porte-gobelet	31
Utilisation de la poussette	31
Réglage du dossier	31
Utilisation de la boucle de harnais	31
Utilisation des harnais au niveau des épaules et de la taille	32
Réglage du repose-jambes	32
Utilisation du système de blocage des roues avant	32
Utilisation du frein	32
Utilisation de la capote	33
Réglage de la poignée	33
Utilisation des protège harnais (épaules et ceinture)	33
Pliage de la poussette	33
Utilisation des accessoires	33
Entretien et réparations	34

En cas d'urgence

En cas d'urgence ou d'accident, il est très important de prendre immédiatement soin de votre enfant en lui prodiguant les soins de premiers secours puis en le faisant examiner par un médecin.

Informations sur le produit

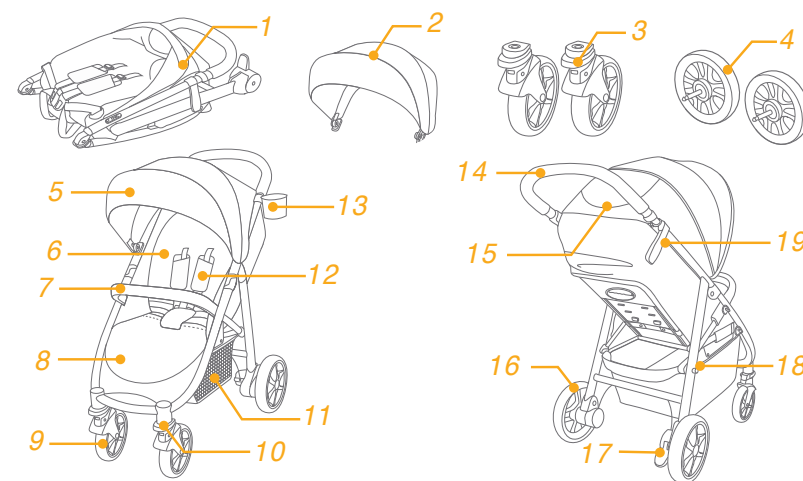
Informations - A lire attentivement et à conserver pour référence ultérieure.

Produit	Poussette Litetrax™ 4 dlx
Convient aux	enfants de la naissance à 22 kg.
Matières	Plastique, métal, tissu
Brevet n°	Brevets déposés
Fabriqué en	Chine
Nom de la marque	Joie
Site Web	www.joiebaby.com
Fabricant	Allison GmbH

Liste des pièces

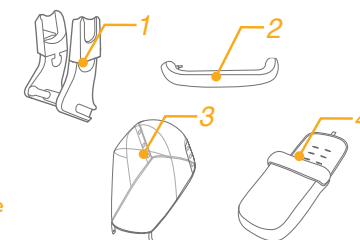
Assurez-vous que toutes les pièces sont présentes avant l'assemblage. Si une pièce est manquante, veuillez contacter votre revendeur local. L'assemblage ne nécessite aucun outil.

1 Châssis	7 Barre d'appui	rangement	16 Roue arrière
2 Capote	8 Repose-jambes	12 Harnais au niveau	17 Pédale de frein
3 Roue avant	9 Roue avant	des épaules	18 Support de fixation
4 Roue arrière	10 Dispositif de	13 Porte-gobelet	19 Loquet de
5 Pare soleil	blocage	14 Guidon	fermeture
6 Assise de siège	11 Panier de	15 Fenêtre	



Accessoires (peuvent ne pas être inclus dans le carton)

- 1 Adaptateurs
- 2 Housse de barre de retenue
- 3 Habillage de pluie
- 4 Chancelière



Les accessoires peuvent être vendus séparément ou ne pas être disponibles selon la région.

AVERTISSEMENTS

- ! AVERTISSEMENT : Ne jamais laisser l'enfant sans surveillance
- ! AVERTISSEMENT : S'assurer que tous les dispositifs de verrouillage sont enclenchés avant utilisation
- ! AVERTISSEMENT : Pour éviter toute blessure, maintenir votre enfant à l'écart lors du dépliage ou du pliage du produit
- ! AVERTISSEMENT : Ne pas laisser votre enfant jouer avec ce produit
- ! AVERTISSEMENT: Toujours utiliser le système de retenue.
- ! AVERTISSEMENT : Ce produit ne convient pas pour faire du jogging ou des promenades en rollers.
- ! AVERTISSEMENT : Vérifier que les dispositifs de fixation de la nacelle, du siège ou du siège-auto sont correctement enclenchés avant utilisation
- ! AVERTISSEMENT : Assurez-vous que le dispositif de blocage à l'arrêt est enclenché lorsque l'on place l'enfant dans le véhicule ou qu'on l'en sort.
- ! AVERTISSEMENT : Ne pas utiliser d'accessoires qui ne sont pas approuvés par le fabricant.
- ! AVERTISSEMENT : Seules les pièces de rechange fournies ou recommandées par le fabricant/distributeur doivent être utilisées.
- ! AVERTISSEMENT : Toute charge attachée au poussoir et/ou à l'arrière du dossier et/ou sur les côtés du véhicule peut influencer sur la stabilité du véhicule
- ! AVERTISSEMENT : Ce véhicule ne remplace pas un couffin ou un lit. Lorsque l'enfant a besoin de dormir il convient de le placer dans une nacelle, un couffin ou un lit approprié
- ! AVERTISSEMENT : S'assurer que les dispositifs de fixation du cadre de la poussette et du siège sont correctement enclenchés avant utilisation.
- ! Utilisez cette poussette avec un enfant qui pèse moins de 22kg. L'utilisation avec un enfant plus lourd et plus grand peut endommager la poussette.
- ! Cette poussette est conçue pour une utilisation avec un seul enfant à la fois et convient aux enfants de la naissance à 22kg.
- ! Il est conseillé d'utiliser la poussette avec le dossier dans sa position la plus inclinée pour les nouveaux-nés.
- ! L'assemblage doit être réalisé par un adulte.
- ! Pour éviter le coincement des doigts, faites attention lors du pliage et du dépliage de la poussette.
- ! Assurez-vous que la poussette est complètement ouverte ou pliée avant de laisser un enfant à proximité de la poussette.
- ! Pour empêcher tout basculement, ne laissez jamais l'enfant monter seul dans la poussette. Il faut toujours installer et sortir vous-même l'enfant de la poussette.
- ! Assurez-vous que le corps de l'enfant est exempt des pièces mobiles lors du réglage de la poussette.
- ! Surchargée, mal pliée et utilisée avec des accessoires non homologués par le fabricant, la poussette pourrait s'endommager ou se casser.

- ! Ne placez pas des sacs à main, des sacs de courses, des colis ou autres accessoires sur la poignée ou sur la capote.
- ! Pour éviter des situations instables ou dangereuses, ne rangez pas plus de 4.5kg dans le panier.
- ! Utilisez toujours le système de retenue pour éviter que l'enfant ne se blesse en tombant ou en glissant du siège. L'enfant peut glisser en sous marinage par les ouvertures des jambes et être étranglé si le harnais n'est pas attaché.
- ! N'utilisez jamais la poussette dans des escaliers ou escaliers mécaniques. Lorsque vous montez ou descendez des escaliers ou des escalators, sortez toujours votre enfant de la poussette et pliez-la.
- ! NE placez pas dans la poussette des objets chauds, des liquides ou des appareils électroniques. Ne placez pas la poussette à proximité d'une source de chaleur.
- ! NE jamais laisser votre enfant se tenir debout sur la poussette ou s'asseoir avec la tête vers l'avant.
- ! NE jamais stationner la poussette sur la route, dans une pente ou dans un endroit ou zones dangereuses.
- ! Activer toujours le système de freinage lorsque vous stationnez la poussette.
- ! NE lâchez pas votre poussette à proximité des routes ou des voies ferrées, même si le frein est serré, car l'appel d'air dû au passage d'une voiture ou d'un train pourrait la déplacer.
- ! NE levez pas la poussette lorsque l'enfant se trouve dans la poussette.
- ! N'utilisez pas le panier de rangement comme porte-bébé.
- ! Pour éviter tout risque d'étranglement, ne placez AUCUN objet avec une ficelle autour du cou de votre enfant, ne suspendez aucune ficelle à ce produit, et n'attachez aucune ficelle aux jouets.
- ! Pour éviter tout risque d'étouffement, enlevez le sac en plastique et les matériaux d'emballage avant d'utiliser ce produit. Le sac en plastique et les matériaux d'emballage doivent être conservés hors de portée des bébés et des enfants.
- ! L'utilisateur doit assurer l'entretien régulier de cette poussette. La poussette doit être contrôlée après une longue période d'inutilisation.
- ! Arrêtez d'utiliser la poussette si elle est endommagée ou cassée.
- ! La nacelle convient à un enfant qui ne peut pas se tenir assis seul, ni se retourner et se relever sur ses mains et ses genoux. Ce produit convient aux enfants dont le poids maximum est de 9 kilos.
- ! N'utilisez pas, ni ajoutez un matelas autre que celui fourni avec la nacelle.
- ! Veuillez lire toutes les instructions du manuel avant d'utiliser ce produit.
- ! Veuillez conserver le mode d'emploi pour consultation ultérieure. Le non-respect des avertissements et instructions peut entraîner des blessures graves ou mortelles.
- ! Si la poussette est utilisée par des personnes qui ne la connaissent pas, comme les grands-parents par exemple, montrez-leur comment elle fonctionne et donnez-leur à lire le manuel d'instructions.

Assemblage de la poussette

Lisez toutes les instructions du présent manuel avant d'assembler et d'utiliser ce produit.

Ouverture de la poussette

voir les images 1 - 2

Séparez le loquet de fermeture du support de blocage 1, puis levez la poignée vers le haut 2, un son de clic signifie que la poussette est complètement ouverte.

! Vérifiez que la poussette est bien verrouillée avant de poursuivre.

Fixation et retrait des roues avant

voir les images 3 - 4

Fixation et retrait des roues arrière

voir les images 5 - 6

Installation et retrait de la barre de retenue

voir les images 7 - 8

Installation de la capote

voir les images 9 - 10

Fixation et retrait porte-gobelet

voir les images 11 - 12

La poussette complètement assemblée est illustrée sur l'image 13

Utilisation de la poussette

Réglage du dossier

voir les images 14 - 15

Le dossier de la poussette est inclinable sur 4 positions

Pour abaisser le dossier, pincez la poignée d'inclinaison située à l'arrière du siège puis tirez le dossier vers le bas à la hauteur voulue. 14

Pour relever le dossier, remontez le dossier vers le haut. 15

! Assurez-vous que l'inclinaison du dossier est correctement réglée avant toute utilisation.

Utilisation de la boucle du harnais

voir les images 16 - 17

Déverrouillage de la boucle

Appuyez sur le bouton central pour déverrouiller la boucle. 16

Verrouillage de la boucle

Pour verrouiller la boucle, faites correspondre la boucle de la ceinture pour la taille avec la boucle d'épaules 17 - 1, puis enclenchez les deux parties réunies dans la boucle centrale. 17 - 2 Vous entendrez un « clic » signifiant que la boucle est complètement verrouillée. 17 - 3

! Utilisez toujours le système de retenue (harnais) pour éviter que l'enfant ne se blesse en tombant ou en glissant du siège.

! Assurez-vous que votre enfant est bien attaché. L'espace entre l'enfant et le harnais au niveau des épaules est d'environ l'épaisseur de la paume.

! Ne croisez pas les harnais d'épaules. Autrement cela entraîne une pression sur le cou de l'enfant.

Utilisation des harnais au niveau des épaules et de la ceinture

voir les images 18 - 21

! Pour éviter que l'enfant ne tombe de la poussette, après l'avoir installé dans la poussette, vérifiez si les harnais au niveau des épaules et de la ceinture sont à la bonne longueur et à la bonne hauteur afin d'assurer la meilleure retenue.

18 - 1 Boucle A du harnais pour les épaules

18 - 2 Boucle B du harnais pour les épaules

18 - 3 Boucle pour faire coulisser la sangle et la régler à bonne hauteur

Pour un enfant de grande taille, utilisez la boucle A du harnais pour les épaules et les fentes les plus hautes. Pour les épaules. Pour un enfant plus petit, utilisez la boucle B du harnais pour les épaules et les espaces les plus bas pour les épaules.

Pour régler la position de la boucle pour le harnais pour les épaules, tournez la boucle pour arriver au même niveau avec la partie face avant. Passez-le dans la fente pour le harnais au niveau des épaules de la partie derrière vers la partie avant. 19 Passez-la de nouveau dans la fente la plus proche de la hauteur des épaules de l'enfant. 20

Utilisez le dispositif de réglage de la sangle pour modifier la longueur du harnais. 21 - 1

Appuyez sur le bouton 21 - 2, tout en tirant sur le harnais à la taille jusqu'à la longueur souhaitée. 21 - 3

Réglage du repose-jambes

voir les images 22

Le repose jambes est réglable sur deux positions

Pour relever le repose-jambes, tirez-le vers le haut. Un clac signifie que le repose-jambes est correctement enclenché. Pour abaisser le repose-jambes, appuyez sur les boutons situés sur les deux côtés du repose-jambes 22 - 1, puis abaissez le repose-jambes. 22 - 2

Utilisation du dispositif de verrouillage des roues avant

voir les images 23

Actionnez vers le haut le loquet pour empêcher le pivotement des roues avant. 23

Astuce Il est recommandé bloquer les roues avant en position fixe sur des surfaces irrégulières.

Utilisation de la pédale de frein

voir les images 24 - 25

Pour verrouiller les roues, appuyez sur la pédale de frein avec le pied. 24

Pour libérer les roues, relevez la pédale de frein avec le bout du pied. 25

Astuce Utilisez toujours le frein d'arrêt lorsque la poussette n'est pas en déplacement.

Utilisation de la capote

voir les images 26

La capote peut être ouverte ou repliée; il suffit de la tirer vers l'avant ou de la repousser vers l'arrière.

Pour protéger votre enfant du soleil au maximum utilisez la capote dans toute sa longueur en ouvrant la fermeture en éclair 26, et puis tirez la capote vers l'avant.

La capote est dotée d'une fenêtre, à travers laquelle vous pouvez voir votre bébé.

Réglage du guidon

voir les images 27

Utilisation des protège harnais

Les protège harnais au niveau des épaules et de la taille sont amovibles. Pour les installer ou les relier procéder comme le schéma. 28

Pliage de la poussette

voir les images 29 - 32

! Veuillez plier replier la capote avant de plier la poussette.

1. Tirez sur la sangle située au milieu de l'assise en appuyant en même temps sur le bouton. Le châssis se pliera automatiquement par le milieu. 30 - 1
2. Le loquet de fermeture s'accrochera automatiquement sur le support situé sur le châssis et la poussette une fois pliée sera bloquée et ne se rouvrira pas. 31
3. La poussette peut tenir debout quand elle est pliée. 32

Utilisation des accessoires(adaptateurs, chancelière et chancelière molletonnée)

Les accessoires peuvent être vendus séparément ou ne pas être disponibles selon la région.

Utilisation du dispositif de retenue pour bébé/enfant (coque - groupe 0+)

voir les images 33 - 39

Reportez-vous aux instructions suivantes pour l'utilisation du dispositif de retenue pour bébé/enfant Joie gemm, i-Gemm 2, i-Snug & i-Level.

- ! Avant d'utiliser le dispositif de retenue pour bébé/enfant, veuillez vous assurer que le dossier a été réglé à la position la plus basse et que le dispositif de retenue pour bébé/enfant a été clipé sur la barre d'appui ou avec les adaptateurs (non inclus dans le carton)
- ! Si vous rencontrez des problèmes concernant l'utilisation du dispositif de retenue pour bébé/enfant, veuillez consulter son manuel d'utilisation.
- ! Veuillez ne pas plier la poussette lorsque le dispositif de retenue pour bébé/enfant est encore attaché.

Utilisation avec la nacelle ramble de Joie

voir les images 40 - 41

Reportez-vous aux instructions suivantes pour l'utilisation de la nacelle Joie ramble, ramble xl. Celle-ci se fixe sur la poussette avec des adaptateurs.

- ! Si vous rencontrez des problèmes concernant l'utilisation de la nacelle, veuillez consulter son manuel d'utilisation.
- ! Utilisez toujours le matelas avec la nacelle.
- ! Veuillez ne pas plier la poussette lors de la fixation de la nacelle.

Utilisation de l'habillage de pluie

voir les images 42

Pour installer l'habillage de pluie sur le châssis, posez-le sur la poussette et puis attachez les 8 paires de bandes Velcro de l'habillage de pluie. 42

- ! Avant d'utiliser pluie, assurez-vous que le dossier a été réglé dans la position la plus basse et que la coque est correctement fixée.
- ! Lorsque vous utilisez l'habillage de pluie, veuillez toujours vérifier que la ventilation est assurée dessous.
- ! Lorsque vous n'utilisez pas, vérifiez qu'il a été bien nettoyé et séché avant d'être plié.
- ! Ne pliez pas la poussette avec l'habillage de pluie installé dessus.
- ! Pendant les périodes de grosse chaleur, n'utilisez pas l'habillage de pluie quand votre enfant est installé dans la poussette.

Utilisation de la chancelière

voir les images 43 - 44

Entretien et réparations

voir les images 45

- ! L'assise du siège n'est pas détachable, elle se nettoie à l'éponge avec de l'eau tiède. Ne pas utiliser d'eau de javel ou de détergent.
- ! Pour nettoyer le châssis de la poussette, utilisez seulement du savon avec de l'eau chaude. Ne pas utiliser d'eau de javel ou de détergent.
- ! Les parties en tissu amovibles peuvent être lavées à la machine avec un programme délicat. Ne pas utiliser de détergent, ni d'eau de javel et d'agent blanchissant. Ne pas utiliser de programme d'essorage trop fort. Il est recommandé de faire sécher les parties en tissu à plat.
- ! Vérifiez régulièrement les composants de la poussette pour détecter des vis desserrées, des pièces usagées, tissu ou couture déchiré. Remplacez ou réparez les éléments si besoin en vous adressant à votre revendeur local. Rappelons que seules les pièces de rechange fournies ou recommandées par le fabricant/distributeur doivent être utilisées.
- ! L'exposition excessive au soleil ou à la chaleur peut entraîner la décoloration ou la déformation de certains composants.
- ! Au cas où la poussette est mouillée, ouvrez la capote et laissez-la sécher complètement avant de la ranger.
- ! Si les roues grincent, mettez un peu d'huile en ayant pris soin de nettoyer avant les roues et les essieux. Il est important de mettre de l'huile dans le système de roues ou l'essieu. 45
- ! En cas d'utilisation de votre poussette à la plage ou dans des endroits très poussiéreux ou sablonneux, nettoyez-la complètement après utilisation pour enlever le sable et le sel des mécanismes de freinage et des blocs de roues.

Wir begrüßen Sie als ein weiteres Mitglied der Joie-Familie! Wir freuen uns, Ihr kleines Kind auf Reisen zu begleiten. Beim Reisen mit dem Joie Litetrax™ 4 dlx nutzen Sie einen erstklassigen, umfassend zertifizierten Kinderwagen, der gemäß dem europäischen Sicherheitsstandard EN 1888-2:2018 zugelassen ist. Dieses Produkt eignet sich für Kinder bis 22 kg oder 4 Jahre, was auch immer zuerst eintritt. Lesen Sie diese Anleitung sorgfältig durch und beachten Sie die einzelnen Schritte zur Gewährleistung einer komfortablen Fahrt und optimalen Sicherheit für Ihr Kind.

WICHTIG - Bewahren Sie diese Anleitung für eine spätere Bezugnahme auf.

Besuchen Sie uns unter joiebaby.com, um Anleitungen herunterzuladen und sich weitere aufregende Joie-Produkte anzuschauen!

Besuchen Sie unsere Website joiebaby.com, um mehr über unsere Gewährleistungsbedingungen zu erfahren.

Inhalt

Abbildungen	1-9
WARNHINWEISE	37
Kinderwagen montieren	39
Kinderwagen aufklappen	39
Vorderrad montieren und demontieren	39
Hinterrad montieren und demontieren	39
Armlehne montieren und demontieren	39
Verdeck montieren	39
Getränkhalter montage und demontage	39
Kinderwagen bedienen	39
Rückenlehne anpassen	40
Schnalle verwenden	40
Schulter- und Taillengurte anlegen	40
Wadenstütze einstellen	40
Vordere Lenksperre verwenden	40
Bremse verwenden	41
Verdeck verwenden	41
Griff anpassen	41
Abdeckungen für Schulter- und Schrittgurt verwenden	41
Kinderwagen zusammenklappen	41
Zubehör verwenden	41
Pflege und Wartung	42

Notfall

Bei einem Notfall oder Unfall muss Ihr Kind unverzüglich erste Hilfe bekommen und medizinisch versorgt werden.

Produktdaten

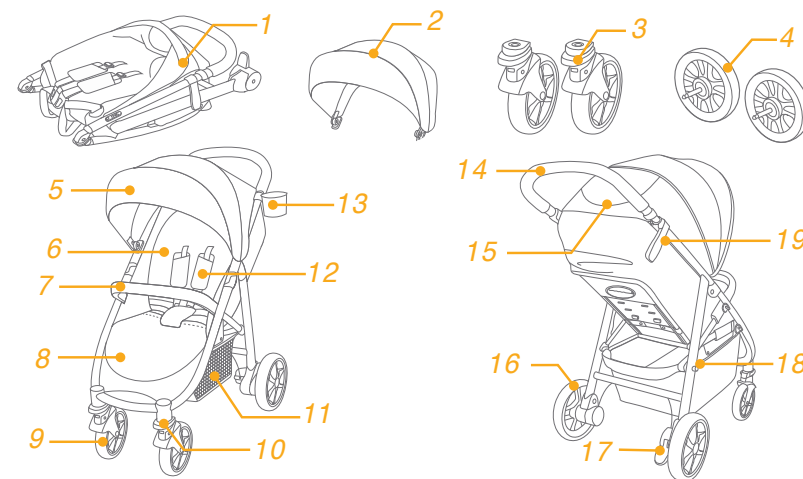
Lesen Sie alle Hinweise in dieser Anleitung, bevor Sie dieses Produkt einsetzen. Bei weiteren Fragen wenden Sie sich an Ihren Händler. Einige Bestandteile können je nach Modell variieren.

Produkt	Kinderwagen Litetrax™ 4 dlx
Geeignet für	Kinder bis 22 kg oder 4 Jahre, was auch immer zuerst eintritt.
Materialien	Kunststoff, Metall, Stoffe
Patentnr.	Patente angemeldet
Hergestellt in	China
Markenname	Joie
Website	www.joiebaby.com
Hersteller	Allison GmbH

Teileliste

Stellen Sie vor der Montage sicher, dass alle Teile vorhanden sind. Falls etwas fehlen sollte, wenden Sie sich an Ihren Händler vor Ort. Für die Montage werden keine Werkzeuge benötigt.

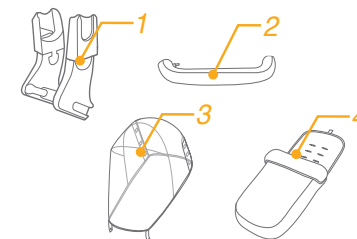
1 Gestell	7 Armlehne	13 Getränkehalter	gshalterung
2 Verdeck	8 Wadenstütze	14 Griff	19 Verriegelung für Ablagekorb
3 Vorderrad	9 Vorderrad	15 Verdeckfenster	
4 Hinterrad	10 Lenksperre	16 Hinterrad	
5 Verdeck	11 Ablagekorb	17 Bremshebel	
6 Sitzkissen	12 Schultergurt	18 Aufbewahrung	



Zubehör

(im Kauf eventuell nicht enthalten)

- 1 Adapter (bei bestimmten Modellen)
- 2 Abdeckung der Armlehne (bei bestimmten Modellen)
- 3 Regenschutz (bei bestimmten Modellen)
- 4 Fußsack (bei bestimmten Modellen)



Zubehör wird möglicherweise separat verkauft oder ist je nach Region nicht verfügbar.

WARNHINWEISE

- ! WARNHINWEISE Vergewissern Sie sich vor Gebrauch, dass alle Verriegelungen eingerastet sind
- ! WARNHINWEISE Vergewissern Sie sich, dass das Kind beim Aufklappen und Zusammenklappen des Wagens außer Reichweite ist, um Verletzungen zu vermeiden
- ! WARNHINWEISE Lassen Sie das Kind nicht mit dem Produkt spielen
- ! WARNHINWEISE Verwenden Sie immer das Rückhaltesystem
- ! WARNHINWEISE Vergewissern Sie sich vor der Verwendung, dass der Kinderwagenaufsatz oder der Sitzeinheit oder die Befestigungselemente des Autositzes korrekt eingerastet sind.
- ! Das Produkt muss von einem Erwachsenen montiert werden.
- ! Verwenden Sie den Kinderwagen für ein Kind, das weniger als 22 kg wiegt. Der Kinderwagen wird beschädigt, wenn ein Kind nicht gut hineinpasst.
- ! Um eine gefährliche Instabilität zu vermeiden, beladen Sie den Ablagekorb nicht mit mehr als 4,5 kg.
- ! Die empfohlene Maximalbelastbarkeit des Getränkehalters beträgt 0,5 kg.
- ! Lassen Sie das Kind nie unbeaufsichtigt. Behalten Sie ein Kind im Kinderwagen stets im Auge.
- ! Legen Sie immer nur jeweils ein Kind in den Kinderwagen. Legen Sie niemals Geldbörsen, Einkaufstaschen, Pakete oder Zubehör auf den Griff oder das Verdeck.
- ! Nicht vom Hersteller zugelassenes Zubehör sollte nicht verwendet werden. Verwenden Sie nur vom Hersteller gelieferte oder empfohlene Ersatzteile.
- ! Durch Überladen, falsches Zusammenklappen oder Verwendung von Teilen anderer Hersteller wird der Kinderwagen u. U. beschädigt, unbrauchbar oder unsicher. Lesen Sie diese Anleitung sorgfältig durch.
- ! Lesen Sie alle Hinweise in dieser Anleitung, bevor Sie das Produkt verwenden. Bewahren Sie die Anleitung zum späteren Nachschlagen auf. Nichtbeachtung dieser Warnhinweise und Anweisungen könnte zu schweren oder tödlichen Verletzungen führen.
- ! Verwenden Sie stets den Sicherheitsgurt, um Verletzungen durch Herausfallen oder Herausrutschen zu vermeiden.
- ! Achten Sie bei Einstellungen am Kinderwagen darauf, dass der Körper Ihres Kindes nicht mit den beweglichen Teilen in Kontakt kommt.
- ! Achten Sie darauf, dass der Kinderwagen vollständig geöffnet oder zusammengeklappt ist, bevor Sie Ihr Kind in die Nähe des Kinderwagens lassen.
- ! Das Kind könnte in die Beinöffnungen rutschen und ersticken, wenn der Gurt nicht angelegt ist.
- ! Transportieren Sie den Kinderwagen niemals über Treppenstufen oder Rolltreppen.
- ! Halten Sie den Kinderwagen von heißen/Hitze erzeugenden Gegenständen, Flüssigkeiten und Elektrogeräten fern.
- ! Lassen Sie Ihr Kind niemals im Kinderwagen stehen oder mit dem Kopf

zur Vorderseite des Kinderwagens gerichtet sitzen.

- ! Stellen Sie den Kinderwagen niemals auf Straßen, an Hanglagen oder in Gefahrenbereichen ab.
- ! Platzieren Sie KEINE Gegenstände mit einem Band oder Faden um den Hals Ihres Kindes, hängen Sie KEINE Bänder oder Fäden an dieses Produkt und bringen Sie KEINE Bänder oder Fäden an Spielzeugen an, damit sich das Kind nicht strangulieren kann.
- ! Jegliche am Griff, an der Rückseite der Rückenlehne oder an den Seiten des Kinderwagens angebrachte Last wirkt sich auf die Stabilität des Kinderwagens aus.
- ! Heben Sie den Kinderwagen NICHT an, wenn sich ein Kind darin befindet.
- ! Verwenden Sie den Ablagekorb NICHT als Kindersitz.
- ! Der Kinderwagen kann umkippen, wenn Ihr Kind darauf klettert. Heben Sie das Kind stets in den bzw. aus dem Kinderwagen.
- ! Seien Sie beim Auf- und Zusammenklappen des Kinderwagens vorsichtig, damit Sie sich die Finger nicht einklemmen.
- ! Halten Sie Ihr Kind zur Vermeidung von Verletzungen in sicherem Abstand, während Sie dieses Produkt auf- und zusammenklappen.
- ! Zur Gewährleistung der Sicherheit für Ihr Kind achten Sie vor Verwendung des Kinderwagens darauf, dass alle Teile sachgemäß montiert und befestigt sind.
- ! Zur Vermeidung einer Strangulation darf sich das Kind nicht an das Verdeck anlehnen oder damit bedecken.
- ! Ziehen Sie stets die Bremsen an, wenn Sie den Kinderwagen abstellen.
- ! Verwenden Sie Ihren Kinderwagen nicht mehr, wenn er beschädigt oder kaputt ist.
- ! Der Kinderwagen sollte nur mit Schrittgeschwindigkeit geschoben werden. Er ist nicht für den Einsatz beim Joggen geeignet.
- ! Geben Sie zur Vermeidung von Verbrennungen niemals Behälter mit heißen Flüssigkeiten in den Getränkehalter.
- ! Entfernen Sie zur Vermeidung von Erstickungsgefahr den Kunststoffbeutel und sämtliche Verpackungsmaterialien vor dem ersten Einsatz. Halten Sie Kunststoffbeutel und Verpackungsmaterialien von Säuglingen und Kindern fern.
- ! Dieses Produkt ist nicht zum Joggen oder Skaten geeignet.
- ! Neugeborene sollten liegend transportiert werden; kippen Sie dazu die Rückenlehne in die waagrechte Position.
- ! Nutzen Sie die Feststellbremse, wenn Sie das Kind hineinlegen oder herausnehmen.
- ! Auch wenn ein Kind in diesem Wagen gesichert durch Gurte liegen kann, ist er kein Ersatz für ein Bett. Falls Ihr Kind müde ist, sollten Sie es in einen geeigneten Kinderwagen, ein Gitter- bzw. Babybett legen.
- ! Die Babyschale eignet sich nur für Kinder, die nicht selbstständig sitzen, sich drehen und/oder mit Händen und Knien abstützen können. Maximalgewicht des Kindes: 9 kg.
- ! Verwenden Sie nur die mit der Babyschale gelieferte Matratze; fügen Sie KEINE weitere Matratze hinzu.
- ! Dieses Produkt eignet sich für Kinder bis 22 kg oder 4 Jahre, was auch immer zuerst eintritt.

Kinderwagen montieren

Lesen Sie alle Hinweise in dieser Anleitung, bevor Sie dieses Produkt montieren und verwenden.

Kinderwagen aufklappen

siehe Abbildungen 1 - 2

Trennen Sie den Aufbewahrungsverschluss von der Aufbewahrungshalterung 1, und ziehen Sie den Griff nach oben 2, ein Klickgeräusch bedeutet, dass der Kinderwagen vollständig geöffnet ist.

! Prüfen Sie vor der weiteren Benutzung, ob der Kinderwagen vollständig verriegelt ist.

Vorderrad montieren und demontieren

siehe Abbildungen 3 - 4

Hinterrad montieren und demontieren

siehe Abbildungen 5 - 6

Armlehne montieren und demontieren

siehe Abbildungen 7 - 8

Verdeck montieren

siehe Abbildungen 9 - 10

Getränkehalter montage und demontage

siehe Abbildungen 11 - 12

Abbildung 13 zeigt den vollständig montierten Kinderwagen.

Kinderwagen bedienen

Rückenlehne anpassen

siehe Abbildungen 14 - 15

Es gibt 4 Neigungswinkel für die Rückenlehne.

Rückenlehne zurückklappen

Drücken Sie zum Neigen der Rückenlehne den Neigungseinstellgriff an der Rückseite des Sitzes und ziehen Sie die Rückenlehne nach unten. 14

Rückenlehne hochklappen

Zum Hochstellen der Rückenlehne drücken Sie sie hoch. 15

! Achten Sie darauf, die Neigung zur Verwendung sachgemäß einzustellen.

Schnalle verwenden

siehe Abbildungen 16 - 17

Schnalle lösen

Drücken Sie auf den Knopf in der Mitte, um die Schnalle zu lösen. 16

Schnalle schließen

Richten Sie die Schnalle des Taillengurtes mit der Schulternschnalle aus 17 - 1 und verriegeln Sie sie in der mittleren Schnalle 17 - 2. Ein Klickgeräusch bedeutet, dass die Schnalle vollständig geschlossen ist. 17 - 3

! Um schwere Verletzungen aufgrund von Herausfallen oder Herausgleiten zu verhindern, legen Sie Ihrem Kind stets die Sicherheitsgurte an.

! Vergewissern Sie sich, dass Ihr Kind rutschfest gehalten wird. Der Abstand zwischen dem Kind und dem Schultergurt sollte etwa die Dicke einer Hand betragen.

! Legen Sie die Schultergurte nicht gekreuzt an. Andernfalls wird Druck auf den Hals des Kindes erzeugt.

Schulter- und Taillengurte anlegen

siehe Abbildungen 18 - 21

! Nachdem Sie Ihr Kind in den Sitz gesetzt haben, prüfen Sie, ob die Schulter- und Taillengurte in der richtigen Höhe verlaufen und lang genug sind, um Ihr Kind vor dem Herausfallen zu schützen.

18 - 1 Schultergurtverankerung A

18 - 2 Schultergurtverankerung B

18 - 3 Schieberegler

Verwenden Sie bei einem größeren Kind die Schultergurtverankerung A und die obersten Schulterschlitz. Bei einem kleineren Kind müssen die Schultergurtverankerung B und die untersten Schulterschlitz verwendet werden.

Zur Verstellung der Position der Schultergurtverankerung drehen Sie die Verankerung so, dass sie mit der nach vorne weisenden Seite auf einer Ebene liegt. Führen Sie sie von hinten nach vorne durch den Schultergurtschlitz. 19 Führen Sie sie erneut durch den Schlitz, welcher der Schulterhöhe des Kindes am nächsten liegt. 20

Ändern Sie die Gurtlänge mit dem Schieberegler. 21 - 1

Drücken Sie auf den Knopf 21 - 2, während Sie den Taillengurt auf die richtige Länge ziehen. 21 - 3

Wadenstütze einstellen

siehe Abbildungen 22

Es gibt zwei Positionen für die Wadenstütze.

Drücken Sie die Wadenstütze zum Anheben nach oben. Ein Klickgeräusch zeigt an, dass die Wadenstütze eingerastet ist.

Zum Absenken der Wadenstütze betätigen Sie die Verstellknöpfe an beiden Seiten der Wadenstütze 22 - 1 und drehen die Wadenstütze nach unten. 22 - 2

Vordere Lenksperre verwenden

siehe Abbildungen 23

Drücken Sie die vorderen Lenksperren hoch, um die Bewegungsrichtung beizubehalten. 23

Tipp Die Lenkstopp empfehlen sich auf unebenem Untergrund.

Bremse verwenden siehe Abbildungen 24 - 25

Zur Arretierung der Räder drücken Sie den Bremshebel mit dem Fuß nach unten. 24

Lösen Sie die Sperrung durch Ziehen des Bremshebels nach oben. 25

Tipp Ziehen Sie immer die Parkbremse an, wenn der Kinderwagen nicht geschoben wird.

Verdeck verwenden siehe Abbildungen 26

Das Verdeck kann durch Ziehen nach vorne oder hinten geöffnet oder zusammengeklappt werden.

Das Verdeckt kann zum Schutz Ihres Kindes vor der Sonne vollständig geöffnet werden. Öffnen Sie dazu einfach den Reißverschluss 26 und ziehen Sie das Verdeck nach vorne.

Im Verdeck befindet sich ein Fenster, durch das Sie Ihr Baby beobachten können.

Griff anpassen siehe Abbildungen 27

Abdeckungen für Schulter- und Schrittgurt verwenden

Die Abdeckung des Schulter- oder Schrittgurtes lässt sich vom Gurtband abnehmen. Befolgen Sie die Schritte zum Anbringen der Abdeckung des Schulter- oder Schrittgurtes in umgekehrter Reihenfolge. 28

Kinderwagen zusammenklappen siehe Abbildungen 29 - 32

! Klappen Sie das Verdeck zusammen, bevor Sie den Kinderwagen zusammenklappen.

1. Ziehen Sie den Falzgurt nach oben, dann klappt sich das Gestell automatisch nach hinten. 30 - 1
2. Der Aufbewahrungsverschluss rastet automatisch in der Aufbewahrungshalterung ein, danach wird der Kinderwagen komplett zusammengeklappt und verriegelt. 31
3. Der Kinderwagen kann zusammengeklappt stehen. 32

Zubehör verwenden

Zubehör wird möglicherweise separat verkauft oder ist je nach Region nicht verfügbar.

Mit Kinderrückhaltevorrichtung verwenden siehe Abbildungen 33 - 39

Beachten Sie bei Verwendung mit der Joie-Kinderrückhaltevorrichtung gemm, i-Gemm 2, i-Snug & i-Level die folgenden Anweisungen.

- ! Bitte stellen Sie vor Verwendung des Kinderrückhaltesystems sicher, dass die Rückenlehne auf die niedrigste Position eingestellt und das Kinderrückhaltesystem befestigt wurde.
- ! Falls Probleme bei der Verwendung des Kinderrückhaltesystems auftreten, beachten Sie bitte die zugehörige Bedienungsanleitung.
- ! Bitte klappen Sie den Kinderwagen nicht zusammen, während das Kinderrückhaltesystem angebracht ist.

Mit Joie-Babyschale verwenden siehe Abbildungen 40 - 41

Bitte beachten Sie beim Einsatz mit der Joie-Babyschale ramble, ramble xl die nachstehenden Anweisungen.

- ! Falls Probleme bei der Verwendung der Babyschale auftreten, beachten Sie bitte die zugehörige Bedienungsanleitung.
- ! Verwenden Sie die Babyschale niemals ohne Matratze.
- ! Bitte klappen Sie den Kinderwagen nicht zusammen, wenn die Babyschale angebracht ist.

Regenschutz verwenden siehe Abbildungen 42

Um den Regenmantel aufzustellen, legen Sie es über den Kinderwagen und danach stellen Sie 8 Paaren von Befestigungshaken und -Ringen und 2 Paaren von Kapseln auf den Regenmantel. 42

- ! Vor dem Regenmantel zu verwenden, stellen Sie sich sicher, dass es in der niedrigsten Position geregelt wurde und den Kindersitz befestigt wurde.
- ! Prüfen Sie die Belüftung bei Verwendung des Regenmantels.
- ! Wenn Sie den Regenmantel nicht verwenden, prüfen Sie ob den Regenmantel vor der Faltung geputzt oder getrocknet wurde.
- ! Wenn den Regenmantel auf dem Kinderwagen steht, beseitigen Sie es, um Rissen oder Beschädigungen zu verhindern.
- ! Falten Sie den Kinderwagen nach Zusammenbau des Regenmantels nicht.
- ! Setzen Sie das Kind in dem Kinderwagen mit dem zusammengebauten Regenmantel nicht, wenn es warmes Wetter gibt.

Verwendung des Fußsacks siehe Abbildungen 43 - 44

Reinigung und Pflege siehe Abbildungen 45

- ! Reinigen Sie das Kinderwagengestell nur mit handelsüblicher Seife und warmem Wasser. Nicht bleichen oder mit Reinigungsmitteln säubern. Bitte beachten Sie das Pflegeetikett zur Reinigung der Textilteile des Kinderwagens.
- ! Die abnehmbaren Textilteile können in der Waschmaschine gereinigt werden. Verwenden Sie kein Bleichmittel. Bitte wringen Sie die Textilteile nach dem Waschen nicht mit übermäßiger Kraft aus, da sich der Stoff dadurch verziehen kann oder unschöne Falten entstehen können.
- ! Untersuchen Sie Ihren Kinderwagen gelegentlich auf lockere Schrauben, abgenutzte Teile, verschlissene Materialien oder aufgerissene Nähte. Ersetzen oder reparieren Sie die Teile, falls erforderlich. Wischen Sie die Kunststoffteile regelmäßig mit einem weichen, angefeuchteten Tuch ab. Trocknen Sie die Metallteile bei Kontakt mit Wasser immer ab, damit sich kein Rost bildet.
- ! Bei übermäßiger Sonnenbestrahlung oder Hitzeeinwirkung können Teile verblassen oder sich verformen.
- ! Ist der Kinderwagen nass geworden, öffnen Sie das Verdeck und lassen Sie ihn komplett trocken werden, bevor Sie ihn verstauen.
- ! Bei quietschenden Rädern tragen Sie ein leichtes Öl auf (z. B. Silikon spray, Rostschutzöl oder Nähmaschinenöl). Dabei ist wichtig, dass das Öl in die Achse und die Räderpartie gelangt. 45
- ! Gehen Sie mit Ihrem Kinderwagen am Strand oder an anderen sandigen/staubigen Orten spazieren, müssen Sie ihn hiernach komplett reinigen, um Sand und Salz aus der Mechanik und den Radverbindungen zu entfernen.

¡Enhorabuena por unirse a la familia Joie! Estamos encantados de formar parte de su viaje y del de su pequeño. Cuando pasee con el cochecito Litetrax™ 4 dlx de Joie, estará utilizando un cochecito de alta calidad, totalmente certificado y aprobado por la norma de seguridad europea EN 1888-2:2018. Este producto es adecuado para niños de hasta 22 kg o 4 años, lo que ocurra primero. Lea detenidamente este manual y siga cada paso para garantizar que su bebé viaje cómodamente y esté protegido de la mejor manera posible.

IMPORTANTE: guarde estas instrucciones para futuras consultas.

¡Visítenos en joiebaby.com para descargar manuales y conocer otros fantásticos productos de Joie!

Para información sobre la garantía, por favor visite nuestra web joiebaby.com

Índice

Figuras	1-9
ADVERTENCIA	45
Montaje del cochecito	47
Abrir el cochecito	47
Montaje y desmontaje de la rueda delantera	47
Montaje y desmontaje de la rueda trasera	47
Montaje y desmontaje del reposabrazos	47
Montaje de la capota	47
Montaje y desmontaje del sujetavaso	47
Funcionamiento del cochecito	47
Ajuste del respaldo	47
Uso de la hebilla	48
Uso de los arneses de los hombros y la cintura	48
Ajuste del soporte para los gemelos	48
Uso del bloqueo de las ruedas giratorias delanteras	48
Uso del freno	49
Uso de la capota	49
Ajuste del manillar	49
Uso del protector del arnés para los hombros y del arnés de la pelvis	49
Plegado del cochecito	49
Uso de los accesorios	50
Limpieza y mantenimiento	50

Emergencia

En caso de emergencia o accidente, es muy importante que su bebé reciba primeros auxilios y tratamiento médico de inmediato.

Información del producto

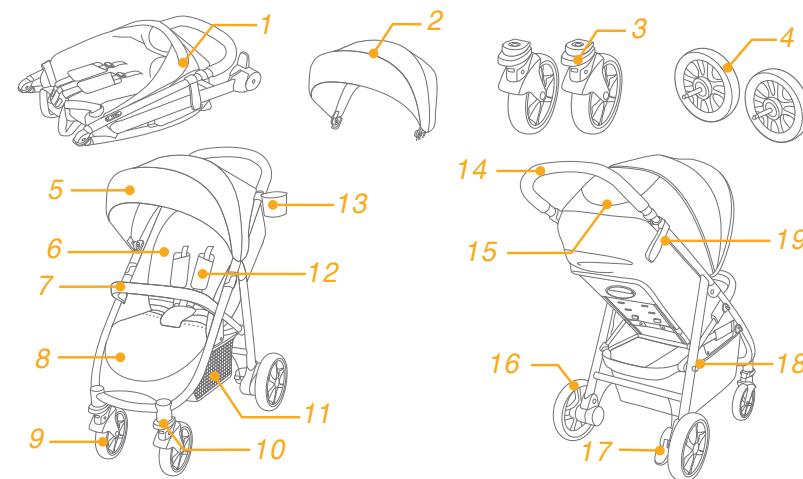
Lea todas las instrucciones incluidas en este manual antes de utilizar este producto. Si tiene alguna duda, póngase en contacto con su proveedor. Algunas características pueden variar según el modelo.

Producto	Cochecito Litetrax™ 4 dlx
Apto para	niños de hasta 22 kg o 4 años, lo que ocurra primero.
Materiales	Plástico, metal, tela
Patente n.º	Pendiente de patente
Fabricado en	China
Nombre de la marca	Joie
Sitio Web	www.joiebaby.com
Fabricante	Allison GmbH

Lista de piezas

Asegúrese de que están disponibles todas las piezas antes de montar el producto. Si falta alguna pieza, póngase en contacto con su proveedor local. No se necesita ninguna herramienta para el montaje.

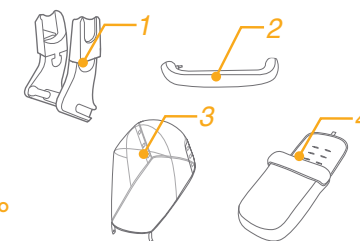
1 Manillar del cochecito	7 Reposabrazos	12 Arnés de los hombros	18 Soporte de almacenamiento
2 Capota	8 Soporte para los gemelos	13 Sujetavaso	19 Bloqueo de almacenamiento
3 Rueda delantera	9 Rueda delantera	14 Manillar	
4 Rueda trasera	10 Bloqueo de las ruedas giratorias	15 Ventana de la capota	
5 Capota	11 Cesta de almacenamiento	16 Rueda trasera	
6 Acolchado del asiento		17 Palanca del freno	



Accesorios

(es posible que no estén incluidos)

- 1 Adaptador (en algunos modelos)
- 2 Funda del reposabrazos (en algunos modelos)
- 3 Cubre lluvia (en algunos modelos)
- 4 Cubierta para los pies (en algunos modelos)



Es posible que los accesorios se vendan por separado o no estén disponibles, dependiendo de la región.

ADVERTENCIA

- ! ADVERTENCIA Asegúrese de que todos los dispositivos de cierre están engranados antes del uso.
- ! ADVERTENCIA Para evitar lesiones, asegúrese de que el niño se mantiene alejado durante el desplegado y el plegado de este producto.
- ! ADVERTENCIA No permita que el niño juegue con este producto.
- ! ADVERTENCIA Use siempre el sistema de retención.
- ! ADVERTENCIA Compruebe que los dispositivos de sujeción del capazo, del asiento o de la silla de auto están correctamente engranados antes del uso.
- ! El montaje solo podrá ser realizado por personas adultas.
- ! Este cochecito está diseñado para niños con un peso inferior a 22 kg. Si lo utiliza un niño con un peso superior, podrían producirse daños en el cochecito.
- ! Para evitar riesgos y la inestabilidad del producto, no deberá colocar objetos que sumen en total un peso superior a 4,5 kg en la cesta de almacenamiento.
- ! El peso máximo recomendado para el sujetavaso es de 0,5 kg.
- ! No deje nunca al niño desatendido. Vigílelo en todo momento mientras esté montado en el cochecito.
- ! No utilice el cochecito para transportar a más de un niño a la vez. Nunca coloque bolsos, bolsas de la compra, paquetes ni ningún otro objeto en el manillar ni en la capota.
- ! No utilice accesorios que no estén aprobados por el fabricante. Utilice únicamente las piezas de recambio proporcionadas o recomendadas por el fabricante.
- ! Si lo sobrecarga, lo pliega incorrectamente o lo utiliza con piezas de otros fabricantes, el cochecito podría sufrir daños, romperse o dejar de ser seguro. Lea el manual de instrucciones detenidamente.
- ! Lea todas las instrucciones incluidas en el manual antes de utilizar el producto. Guarde este manual de instrucciones para futuras consultas. Si no sigue estas advertencias e instrucciones, podrían producirse graves lesiones o, incluso, la muerte.
- ! Para evitar lesiones graves como consecuencia de caídas o resbalones, mantenga al niño sujeto con el cinturón del asiento en todo momento.
- ! Cuando ajuste el cochecito, asegúrese de que no haya ninguna parte del cuerpo del niño en contacto con las partes móviles.
- ! Asegúrese de que el cochecito está totalmente abierto o plegado antes de permitir que el niño se acerque a él.
- ! El niño podría resbalarse por las aberturas para las piernas y estrangularse si no está sujeto con el arnés.
- ! Nunca utilice el cochecito en escaleras mecánicas o convencionales.
- ! Manténgalo alejado de objetos a altas temperaturas, líquidos y aparatos electrónicos.
- ! Nunca deje que su hijo se ponga de pie sobre el cochecito ni se siente en él con la cabeza orientada hacia adelante del cochecito.

- ! Nunca coloque el cochecito en carreteras, cuestas o zonas peligrosas.
- ! Para evitar el riesgo de estrangulamiento, NO coloque objetos con cordones alrededor del cuello del niño, no deje que cuelguen cordones de este producto ni ate los cordones a ningún juguete.
- ! Si cuelga algún objeto del manillar, de la parte trasera del respaldo o de los laterales del cochecito, la estabilidad del cochecito se verá afectada.
- ! NO levante el cochecito mientras el niño esté montado en él.
- ! NO utilice la cesta de almacenamiento como portabebés.
- ! Para evitar que pueda volcar, nunca permita que el niño trepe por el cochecito. Siempre suba y baje al niño del cochecito.
- ! Tenga cuidado de no pillarse los dedos cuando pliegue y despliegue el cochecito.
- ! Para evitar lesiones, asegúrese de que su hijo está alejado del producto cuando lo pliegue y lo despliegue.
- ! Para garantizar la seguridad del niño, asegúrese de que todas las piezas están montadas y bien sujetas antes de utilizar el cochecito.
- ! Para evitar el riesgo de estrangulamiento, asegúrese de que su hijo se mantiene alejado de la capota.
- ! Accione siempre los frenos cuando aparque el cochecito.
- ! Deje de utilizar el cochecito si presenta daños o roturas.
- ! El cochecito solo se debe utilizar a una velocidad de paseo. Este producto no es adecuado para utilizarlo mientras se corre.
- ! Para evitar quemaduras, nunca coloque líquidos calientes en el sujetavaso.
- ! Para evitar el riesgo de asfixia, retire la bolsa de plástico y los materiales de embalaje antes de utilizar este producto. A continuación, deberá mantener la bolsa de plástico y los materiales de embalaje fuera del alcance de bebés y niños.
- ! Este producto no es adecuado para correr o patina.
- ! En el caso de los recién nacidos, le recomendamos que el asiento diseñado para utilizarse desde el nacimiento lo coloque en la posición lo más reclinada posible.
- ! El dispositivo de estacionamiento deberá estar accionado cuando coloque y retire al niño.
- ! En los dispositivos de sujeción para niños que se utilicen con un chasis, este vehículo no sustituye a una cuna ni una cama. Si su hijo necesita dormir, deberá colocarlo sobre una cuna, una cama o un capazo adecuado.
- ! El capazo es adecuado únicamente para un bebé que no pueda sentarse sin ayuda, girarse o levantarse sobre sus manos y/o rodillas. El peso máximo del bebé no debe exceder los 9 Kg.
- ! No use o añada otro colchón diferente al que se proporciona con el capazo.
- ! Este producto es adecuado para niños de hasta 22 kg o 4 años, lo que ocurra primero.

Montaje del cochecito

Lea todas las instrucciones incluidas en este manual antes de montar y utilizar este producto.

Abrir el cochecito

Consulte las imágenes 1 - 2

Separe el bloqueo de almacenamiento del soporte de almacenamiento 1 y, a continuación, levante el manillar hacia arriba 2; escuchará el sonido de un clic cuando el cochecito esté completamente abierto.

! Asegúrese de que el cochecito está completamente bloqueado antes de continuar utilizándolo.

Montaje y desmontaje de la rueda delantera

Consulte las imágenes 3 - 4

Montaje y desmontaje de la rueda trasera

Consulte las imágenes 5 - 6

Montaje y desmontaje del reposabrazos

Consulte las imágenes 7 - 8

Montaje de la capota

Consulte las imágenes 9 - 10

Montaje y desmontaje del sujetavaso

Consulte las imágenes 11 - 12

El cochecito montado completamente aparece en la figura 13.

Funcionamiento del cochecito

Ajuste del respaldo

Consulte las imágenes 14 - 15

El respaldo puede colocarse en 4 ángulos de inclinación.

Reclinar el respaldo

Para reclinar el respaldo, presione el asa de inclinación de la parte posterior del asiento y empuje el respaldo hacia abajo. 14

Subir el respaldo

Para subir el respaldo, levántelo. 15

! Asegúrese de que ajusta la inclinación de forma adecuada para su uso.

Uso de la hebilla

Consulte las imágenes 16 - 17

Desbloquear la hebilla

Pulse el botón central para desbloquear la hebilla. 16

Bloquear la hebilla

Alinee la hebilla del cinturón de la cintura con la hebilla de las correas de los hombros 17 - 1 y encájelas en la hebilla central hasta que escuche un clic. 17 - 2. El sonido de un "clic" le indicará que la hebilla está bloqueada completamente. 17 - 3

! Con el fin de evitar lesiones graves como consecuencia de caídas o resbalones, mantenga al niño sujeto con el arnés en todo momento.

! Asegúrese de que su hijo quede cómodamente sujeto. Cerciórese de que el espacio entre el niño y el arnés de los hombros sea el del grosor de una mano más o menos.

! No cruce los cinturones de los hombros. Si lo hace, podría presionar el cuello del niño.

Uso de los arneses de los hombros y la cintura

Consulte las imágenes 18 - 21

! Con el fin de proteger al niño contra caídas, después de colocarlo en el asiento, compruebe si la altura y el largo de los arneses de los hombros y la cintura son los adecuados.

18 - 1 Gancho A del arnés de los hombros

18 - 2 Gancho B del arnés de los hombros

18 - 3 Ajuste deslizante

Para los niños más altos, utilice el gancho A del arnés de los hombros y las ranuras de los hombros más altas. Para los niños más pequeños, utilice el gancho B del arnés de los hombros y las ranuras de los hombros más bajas.

Para ajustar la posición del gancho del arnés de los hombros, gire el gancho para alinearlos con la parte que está orientada hacia adelante. Enhébrelo por la ranura del arnés de los hombros desde atrás hacia adelante.

21 Vuelva a enhebrarlo por la ranura que esté más cerca de la altura de los hombros del niño. 19

Utilice el ajuste deslizante para cambiar la longitud del arnés. 20 - 1

Pulse el botón 21 - 2 y tire al mismo tiempo del arnés de la cintura hasta que la longitud sea la adecuada. 21 - 3

Ajuste del soporte para los gemelos

Consulte las imágenes 22

Se puede colocar el soporte para los gemelos en 2 posiciones distintas.

Para elevar el soporte para los gemelos, tire de él hacia arriba. Cuando oiga un "clic" significará que el soporte para los gemelos está bloqueado completamente.

Para bajar el soporte para los gemelos, pulse los botones de ajuste ubicados a ambos lados del soporte para los gemelos 22 - 1 y gire el soporte para los gemelos hacia abajo. 22 - 2

Uso del bloqueo de las ruedas giratorias delanteras

Consulte las imágenes 23

Tire hacia arriba de los bloqueos de las ruedas giratorias delanteras para mantener la dirección del movimiento. 23

Consejo se recomienda utilizar los bloqueos de las ruedas giratorias sobre las superficies irregulares.

Uso del freno

Consulte las imágenes 24 - 25

Para bloquear las ruedas, pise sobre la palanca del freno empujándola hacia abajo. 24

Para desbloquear las ruedas, simplemente levante la palanca del freno hacia arriba. 25

Consejo ponga siempre el freno de estacionamiento cuando el cochecito no se esté moviendo.

Uso de la capota

Consulte las imágenes 26

La capota puede abrirse o plegarse tirando de ella hacia delante o hacia atrás.

La capota se puede abrir completamente para proteger al niño del sol lo máximo posible. Basta con abrir la cremallera 26 y tirar de la capota hacia delante.

La capota incorpora una ventana a través de la cual puede ver a su bebé.

Ajuste del manillar

Consulte las imágenes 27

Uso del protector del arnés para los hombros y del arnés de la pelvis

La funda del arnés de los hombros o del arnés de la pelvis puede extraerse desde la cincha. Para montar la funda del arnés de los hombros o del arnés de la pelvis, siga los mismos pasos a la inversa. 28

Plegado del cochecito

Consulte las imágenes 29 - 32

! Pliegue la capota antes de plegar el cochecito.

1. Tire de la cincha de pliegue hacia arriba y el armazón se plegará automáticamente hacia atrás. 30 - 1
2. El bloqueo de almacenamiento quedará sujeto automáticamente en el soporte de almacenamiento y el cochecito quedará completamente plegado y bloqueado. 31
3. El cochecito puede ponerse de pie una vez plegado. 32

Uso de los accesorios

Es posible que los accesorios se vendan por separado o no estén disponibles, dependiendo de la región.

Uso con el dispositivo de sujeción para niños

Consulte las imágenes 33 - 39

Cuando lo utilice con el dispositivo de sujeción para niños Gemm, i-Gemm 2, i-Snug & i-Level de Joie, consulte las siguientes instrucciones:

- ! Antes de utilizar el dispositivo de sujeción para niños, asegúrese de ajustar el respaldo a la posición más baja y de fijar el dispositivo de sujeción para niños.
- ! Si experimenta algún problema al utilizar el dispositivo de sujeción para niños, consulte sus propios manuales de instrucciones.
- ! No pliegue el cochecito con el dispositivo de sujeción para niños instalado.

Uso con el capazo Joie

consulte las imágenes 40 - 41

Cuando se utilice con el capazo Joie ramble, ramble xl consulte las siguientes instrucciones.

- ! Si tiene alguna duda al utilizar el capazo debe consultar el manual de instrucciones del mismo.
- ! Utilice siempre el capazo con el colchón suministrado.
- ! Por favor, no pliegue la silla de paseo con el capazo instalado.

UTILICE EL COBERTOR DE LLUVIA

consulte las imágenes 42

Para ensamblar la cubierta contra la lluvia, póngala sobre la carriola y después adjunte 8 parejas de ganchos y anillos de sujeción y 2 parejas de grapas para la cubierta contra la lluvia. 42

- ! Antes de utilizar el protector de lluvia verifique que el respaldo ha sido colocado en su posición más baja y la silla de auto bien ajustada y asegurada
- ! Cuando utilice el protector de lluvia siempre verifique la ventilación
- ! Cuando no la utilice verifique que esta completamente seca y limpia
- ! No pliegue el coche con el protector de lluvia colocado
- ! No coloque al niño en el coche, con el protector de lluvia cuando sea un día soleado o caluroso.

Uso del saco

consulte las imágenes 43 - 44

Limpieza y mantenimiento

Consulte las imágenes 45

- ! Para limpiar el manillar del cochecito, utilice únicamente jabón para uso doméstico y agua tibia. No utilice lejía ni detergente. Consulte la etiqueta de cuidados para ver las instrucciones acerca de la limpieza de las partes de tela del cochecito.
- ! Las telas extraíbles pueden lavarse a máquina sin lejía. No escurra las telas ni los acolchados interiores retorciéndolos, ya que podrían aparecer arrugas.
- ! Examine periódicamente su cochecito por si tuviera tornillos sueltos, piezas desgastadas, materiales dañados o descosidos. Sustituya o repare las piezas que lo requieran. Limpie periódicamente las partes de plástico con un paño suave y húmedo. Seque siempre las partes metálicas para evitar que se oxiden si el cochecito ha estado en contacto con el agua.
- ! Una exposición excesiva al sol o al calor podría decolorar o deformar las piezas.
- ! Si se moja el cochecito, abra la capota y deje que se seque completamente antes de guardarlo.
- ! Si chirrían las ruedas, utilice un aceite suave (por ejemplo: espray de silicona, aceite antioxidante o aceite para máquinas de coser). Es importante que el aceite llegue al ensamblaje de las ruedas y el eje. 45
- ! Cuando utilice su cochecito en la playa o en otros entornos con arena o polvo, límpielo completamente después de usarlo para eliminar cualquier resto de arena y sal que haya podido quedar en los ensamblajes de las ruedas y los mecanismos.

Parabéns por fazer parte da família Joie! É um prazer fazer parte da sua viagem com seu filho. Enquanto estiver usando o Joie Litetrax™ 4 dlx, você estará usando um carrinho de bebê de alta qualidade, totalmente certificado, aprovado com os padrões europeus de segurança EN 1888-2:2018. Este produto é indicado para crianças com menos de 22 kg ou 4 anos, o que ocorrer primeiro. Leia atentamente este manual e siga cada passo para uma viagem confortável e a melhor proteção para o seu filho.

IMPORTANTE - Mantenha estas instruções para uma consulta futura.

Visite-nos em joiebaby.com para baixar manuais e ver mais emocionantes produtos Joie!

Para informações de garantia, visite nosso website em joiebaby.com

Índice

Figuras	1-9
ADVERTÊNCIA	53
Montagem do Carrinho de Bebê	55
Abrir o carrinho de bebê	55
Montar e soltar as rodas dianteiras	55
Montar e soltar as rodas traseiras	55
Montar e soltar a barra de braço	55
Montar a capota	55
Montagem e desmontagem o porta copo	55
Operação do Carrinho de Bebê	55
Ajuste do encosto	55
Usar a fivela	56
Usar cinto de ombro e cintura	56
Ajustar o suporte da panturrilha	56
Usar a trava articulada frontal	56
Usar o freio	57
Usar a capota	57
Ajuste da alça	57
Use a capa de cinto de ombro e capa de cinto de virilha	57
Dobrar o carrinho de bebê	57
Usar acessórios	57
Limpeza e Manutenção	58

Emergência

Em caso de emergência ou acidentes, é mais importante fornecer ao seu filho imediatamente os primeiros socorros e o tratamento médico.

Informações do Produto

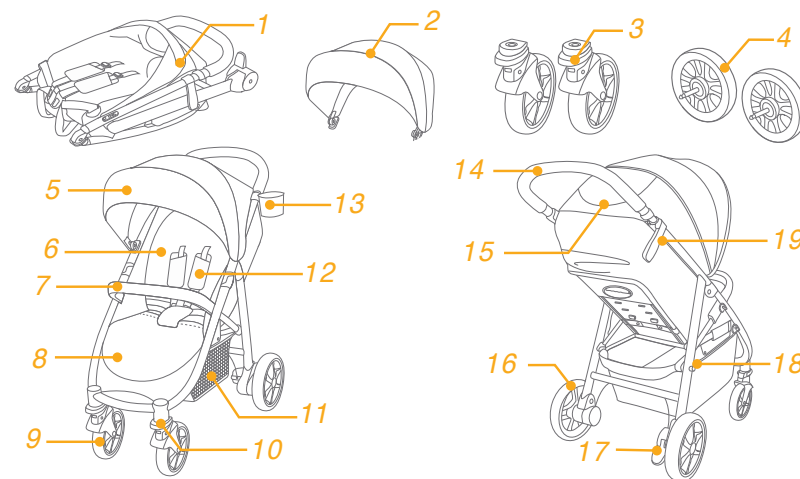
Leia todas as instruções deste manual antes de utilizar o produto. Se tiver quaisquer dúvidas, contate o revendedor. Os recursos podem variar dependendo do modelo.

Produto	Carrinho Litetrax™ 4 dlx
Adequado para	crianças com menos de 22 kg ou 4 anos, o que ocorrer primeiro.
Materiais	Plásticos, metais, tecidos
Patente nº.	Patente pendente
Fabricado na	China
Nome da marca	Joie
Website	www.joiebaby.com
Fabricante	Allison GmbH

Lista de peças

Certifique-se de que todas as peças estão disponíveis antes da montagem. Se alguma parte estiver faltando, entre em contato com o representante local. Não são necessárias ferramentas para a montagem.

- | | | | |
|---------------------------------|-----------------------------|----------------------|------------------------------|
| 1 Estrutura de carrinho de bebê | 7 Barra de braço | 12 Cinto de ombros | 18 Montagem de armazenamento |
| 2 Capota | 8 Suporte de panturrilha | 13 Suporte de copo | 19 Fecho de armazenamento |
| 3 Roda frontal | 9 Roda frontal | 14 Alça | |
| 4 Roda traseira | 10 Elo giratório | 15 Janela do dossel | |
| 5 Capota | 11 Cesta para armazenamento | 16 Roda traseira | |
| 6 Almofada do assento | | 17 Alavanca de Freio | |

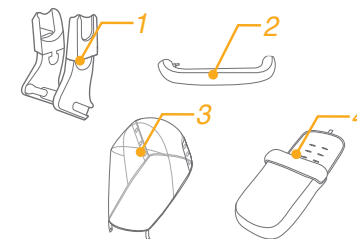


Acessórios

(Podem não estar incluídos)

- 1 Adaptador (em alguns modelos)
- 2 Cobertura da barra de braço (em determinados modelos)
- 3 Capa de chuva (em determinados modelos)
- 4 Cobre pés (em determinados modelos)

Os acessórios podem ser vendidos separadamente ou podem não estar disponíveis dependendo da região.



ADVERTÊNCIA

- ! ADVERTÊNCIA Verifique se todos os pontos de encaixe estão bem fixos antes de usar o produto.
- ! ADVERTÊNCIA Para evitar lesões, assegure-se de que a criança está afastada do produto enquanto o abre e fecha.
- ! ADVERTÊNCIA Não deixe a criança brincar com este produto.
- ! ADVERTÊNCIA Utilize sempre o sistema de retenção.
- ! ADVERTÊNCIA Verifique que a alcofa, o assento reversível ou a cadeira auto estão corretamente encaixados antes de usar o product.
- ! É preciso que a montagem seja realizada por um adulto.
- ! Use o carrinho com uma criança com menos de 22kg. Causará danos ao carrinho com uma criança com peso superior.
- ! Para evitar uma condição perigosa, instável, não coloque mais de 4,5 kg no cesto de armazenamento.
- ! O peso máximo recomendado no suporte de copo é 0,5 kg (1 lbs).
- ! Nunca deixe a criança sozinha. Observe-o sempre enquanto ele estiver no carrinho.
- ! Use o carrinho de bebê com apenas uma criança por vez. Nunca coloque bolsas, sacolas, sacos ou itens de acessórios na alça ou na capota.
- ! Não devem ser utilizados acessórios não aprovados pelo fabricante. Apenas peças de reposição fornecidas ou recomendadas pelo fabricante devem ser usadas.
- ! Sobrecarregar, dobrar incorretamente ou usar componentes de outros fabricantes pode causar danos ao carrinho, quebrar ou deixá-lo inseguro. Por favor leia este manual de instruções cuidadosamente.
- ! Leia todas as instruções deste manual antes de utilizar o produto. Guarde este manual de instruções para uso futuro. A não observância dessas instruções pode resultar em ferimento grave ou morte.
- ! Para evitar ferimentos graves devido a queda ou escorregamento, utilize sempre o cinto.
- ! Certifique-se que o corpo do seu filho está livre das partes móveis ao ajustar o carrinho.
- ! Certifique-se que o carrinho está totalmente aberto ou dobrado antes de deixar a criança se aproximar
- ! A criança pode escorregar nas aberturas para perna e ser estrangulada se o cinto não for usado.
- ! Nunca utilize o carrinho de passeio em escadas ou escadas rolantes.
- ! Mantenha longe de objetos de alta temperatura, líquidos e eletrônicos.
- ! Nunca deixe sua criança de pé no carrinho ou sentada no carrinho com a cabeça voltada para frente do carrinho.

- ! Nunca coloque o carrinho em estradas, encostas ou áreas perigosas.
- ! Para evitar estrangulamento, NÃO coloque os itens com uma cinta em torno do pescoço da criança, suspenda as cintas deste produto, ou acople as cintas aos brinquedos.
- ! Qualquer carga pendurada à alça na parte traseira do encosto ou nas laterais do carrinho afetarão a estabilidade do carrinho.
- ! NÃO levante o carrinho enquanto a criança está no carrinho.
- ! NÃO use cesta de armazenamento como transporte para criança.
- ! Para evitar tombamento, nunca deixe a criança subir no carrinho. Levante sempre a criança dentro e fora do carrinho.
- ! Para evitar prender o dedo, tenha cuidado quando dobrar e desdobrar o carrinho.
- ! Para evitar ferimentos, certifique-se de que seu filho é mantido afastado quando desdobrar e dobrar este produto.
- ! Para garantir a segurança da criança, certifique-se que todas as partes estão montadas e fixadas corretamente antes de utilizar o carrinho de passeio.
- ! Para evitar o estrangulamento, certifique-se de que seu filho está livre da capota.
- ! Sempre acione os freios quando estacionar o carrinho.
- ! Descontinue o uso do carrinho, se ele estiver danificado ou quebrado.
- ! O carrinho de bebê deve ser usado apenas na velocidade de caminhada. Este produto não é para uso em corridas.
- ! Para evitar queimaduras, nunca coloque líquidos quentes no suporte para copos.
- ! Para evitar asfixia, retire o saco de plástico e materiais de embalagem antes de usar este produto. O saco plástico e materiais de embalagem devem, então, ser mantidos afastados de bebês e crianças.
- ! Não é conveniente utilizar este produto para correr ou patinar.
- ! O carrinho de bebê, concebido para ser usado desde o nascimento, deve recomendar o uso da posição mais reclinada para bebês recém-nascidos.
- ! O dispositivo de estacionamento deve permanecer engatado quando colocar e retirar as crianças.
- ! Para retenção de crianças usado em conjunto com um chassi, este veículo não substitui um berço ou uma cama. Se seu filho precisar dormir, então ele deve ser colocado em um berço ou cama apropriado.
- ! O mosés é adequado só para uma criança que não pode levar-se sem ajuda, rolar-se ou levar-se com a ajuda das mãos ou dos joelhos. O peso máximo da criança: 9 kg
- ! NÃO acrescente ou utilize outro colchão que aquilo fornecido junto com o mosés.
- ! Este produto é indicado para crianças com menos de 22 kg ou 4 anos, o que ocorrer primeiro.

Montagem do Carrinho de Bebê

Leia todas as instruções neste manual antes de montar e usar este produto.

Abrir o carrinho de bebê ver imagens 1 - 2

Trava de armazenamento separada da montagem 1 de armazenamento e, em seguida, levante a alça 2, um som de clique significa que o carrinho está aberto completamente.

! Verifique se o carrinho está completamente travado antes de usar.

Montar e soltar as rodas dianteiras ver imagens 3 - 4

Montar e soltar as rodas traseiras ver imagens 5 - 6

Montar e soltar a barra de braço ver imagens 7 - 8

Montar a capota ver imagens 9 - 10

Montagem e desmontagem o porta copo ver imagens 11 - 12

O carrinho completamente montado é mostrado como na Figura 13.

Operação do Carrinho de Bebê

Ajuste do encosto ver imagens 14 - 15

Existem 4 ângulos de reclinção para o encosto.

Reclinar o encosto

Para reclinar o encosto, aperte a alça de inclinação na parte de trás do assento, puxe para baixo no encosto.

14

Levantar o encosto

Para levantar o encosto, empurre. 15

! Certifique-se que o encosto está colocado corretamente para uso.

Usar a fivela ver imagens 16 - 17

Fivela de liberação

Pressione o botão central para soltar a fivela. 16

Fivela de trava

Combine o fecho do cinto da cintura com o fecho do cinto de ombro 17 - 1 e encaixe no fecho central. 17 - 2. Um som de "clique" significa que a fivela está travada completamente. 17 - 3

! Para evitar ferimentos graves devido a queda ou escorregamento, sempre prenda seu filho no cinto.

! Certifique-se que a criança está confortavelmente segura. O espaço entre a criança e a correia de ombro é de aproximadamente a espessura de uma mão.

! Não cruze os cintos de ombro. Isso fará pressão no pescoço da criança.

Usar cinto de ombro e cintura ver imagens 18 - 21

! Para proteger seu filho de quedas, depois que seu filho for colocado no assento, verifique se os cintos de ombro e cintura estão na altura e comprimento apropriados.

18 - 1 Âncora de cinto de ombro A

18 - 2 Âncora de cinto de ombro B

18 - 3 Ajuste deslizante

Para crianças maiores, use cinto de âncora de cinto de ombro A e as ranhuras de ombro mais altas. Para crianças menores, use cinto de âncora de cinto de ombro B e as ranhuras de ombro mais baixas.

Para ajustar a posição da âncora do cinto de ombro, vire a âncora para ficar nivelada com o lado virado para a frente. Passe-o através da ranhura de cinto de ombro de trás para frente. 19 Passe-o novamente através da ranhura que fica mais próxima da altura do ombro da criança. 20

Use o ajuste deslizante para alterar o comprimento do cinto. 21 - 1

Pressione o botão 21 - 2, ao puxar o cinto de cintura para o comprimento correto. 21 - 3

Ajustar o suporte da panturrilha ver imagens 22

O apoio da perna tem 2 posições.

Para levantar o apoio de perna, empurre-o para cima. Um som de "clique" significa que a panturrilha está travada completamente.

Para baixar o suporte de panturrilha, pressione os botões de ajuste em ambos os lados do suporte de perna 22 - 1 e gire o suporte para baixo. 22 - 2

Usar a trava articulada frontal ver imagens 23

Empurre para cima os bloqueios de giro frontal para manter a direção do movimento. 23

Dica

É recomendável usar bloqueios giratórios em superfícies irregulares.

Usar o freio ver imagens 24 - 25

Para travar as rodas, pise na alavanca do freio para baixo. 24

Para liberar as rodas, basta levantar a alavanca do freio. 25

Dica Sempre acione o freio de estacionamento quando o carrinho de criança não estiver se movendo.

Usar a capota ver imagens 26

A capota pode ser aberta ou dobrada, puxe-a para frente ou para trás.

A capota (dossel) pode ser aberta completamente, para proteger seu filho do sol, basta descompactar o zip 26 e puxar a capota para frente.

Há uma janela na capota, através da qual você pode ver seu bebê.

Ajuste da alça ver imagens 27

Use a capa de cinto de ombro e capa de cinto de virilha

A cobertura ou tampa do cinto da virilha pode ser removida a partir da teia. Para montar a capa do cinto de ombro e capa de cinto de cinto da virilha em passos inversos. 28

Dobrar o carrinho de bebê ver imagens 29 - 32

! Por favor, dobre a capota antes de dobrar o carrinho.

1. Puxe os cintos dobrando para cima, a estrutura automaticamente irá dobrar para trás. 30 - 1
2. A trava de armazenamento automaticamente prende no suporte de armazenamento e, em seguida, o carrinho é dobrado e fechado completamente. 31
3. O carrinho pode ficar de pé quando dobrado. 32

Usar acessórios

Os acessórios podem ser vendidos separadamente ou podem não estar disponíveis dependendo da região.

Uso com o dispositivo de retenção infantil ver imagens 33 - 39

Ao usar com retenção gemm, i-Gemm 2, i-Snug & i-Level infantil da Joie, por favor, consulte as instruções a seguir.

- ! Antes de utilizar o dispositivo de retenção infantil, por favor certifique-se que o encosto foi ajustado na posição mais baixa e o dispositivo de retenção infantil foi fixado.
- ! Se você tiver qualquer problema sobre como usar o dispositivo de retenção infantil, consulte por favor seus próprios manuais de instrução.
- ! Por favor, não dobre o carrinho quando o dispositivo de retenção infantil ainda estiver anexado.

Use com moisés do carrinho Joie ver imagens 40 - 41

Ao usar com o moisés do carrinho Joie ramble, ramble xl, por favor consulte as instruções a seguir.

- ! Se você tiver qualquer problema sobre como usar o moisés do carrinho, consulte por favor seus próprios manuais de instrução.
- ! Sempre use o colchão quando utilizar o moisés do carrinho.
- ! Por favor não dobre carrinho quando anexar o moisés.

Utilização capa de chuva ver imagens 42

Para montar a capa de chuva, coloque-a sobre o carrinho e fixe os 8 pares de ganchos, laços e de ilhós na capa de chuva. 42

- ! Antes de usar a capa de chuva, certifique-se que o encosto foi ajustado para a posição mais baixa e que o assento de carro foi fixado.
- ! Ao utilizar a capa de chuva, por favor verifique sempre sua ventilação.
- ! Enquanto a capa de chuva não for utilizada, verifique se foi limpa e seca antes de dobramento.
- ! Não dobre o carrinho após o montagem da capa de chuva.
- ! Não coloque sua criança no carrinho com a capa de chuva montada na temporada quente.

Utilização cobre pés ver imagens 43 - 44

Limpeza e Manutenção ver imagens 45

- ! Para limpar a estrutura, use apenas água morna e sabão. Sem alvejante ou detergente. Consulte a etiqueta de cuidados para obter instruções sobre as limpezas das telas da tela do carrinho.
- ! Partes macias podem ser lavadas a máquina. Não usar alvejante. Não torça a cobertura do assento e acolchoado interior macio para secar com grande força. Poderá deixar a cobertura do assento e acolchoado interior macio com rugas.
- ! De vez em quando, verifique seu carrinho para parafusos soltos, peças desgastadas, rasgadas ou costura. Substitua ou repare as peças como necessário. Periodicamente, limpe as partes de plástico com um pano úmido. Sempre seque as partes metálicas para evitar a formação de ferrugem se o carrinho tiver que entrar em contato com a água.
- ! A exposição excessiva ao sol ou calor pode causar desbotamento ou deformação das peças.
- ! Se carrinho ficar molhado, abra a capota e deixe secar completamente antes de guardar.
- ! Se as rodas estiverem rangindo, use um óleo leve (ex., Spray de silicone, óleo antiferrugem ou óleo de máquina de costura). É importante obter o óleo para o conjunto do eixo e roda. 45
- ! Quando utilizar o carrinho na praia ou outros ambientes com areia/poeira, limpe completamente o seu carrinho após o uso para remover a areia e o sal dos mecanismos e rodas.

PL Witamy w Joie™

Gratulujemy wstąpienia do rodziny Joie! Bardzo cieszymy się na wspólną radość przy wychowywaniu dziecka. Joie Litetrax™ 4 dlx to wózek dziecięcy wysokiej jakości, wyposażony w komplet certyfikatów i zgodny z europejskimi normami bezpieczeństwa EN 1888-2:2018. Ten produkt jest przeznaczony dla dzieci o wadze do 22kg lub w wieku do 4 lat, zależnie od tego co nastąpi wcześniej. Prosimy o uważne przeczytanie tego podręcznika i wykonanie każdej czynności, aby zapewnić wygodną jazdę i najlepsze zabezpieczenie dziecka.

WAŻNE - Te instrukcje należy zachować do wykorzystania w przyszłości.

Zapraszamy na stronę joiebaby.com w celu pobrania podręczników i sprawdzenia innych atrakcyjnych produktów Joie!

W celu uzyskania informacji o gwarancji odwiedź naszą stronę internetową joiebaby.com

Spis treści

Rysunki	1-9
OSTRZEŻENIE	61
Montaż wózka dziecięcego	63
Rozkładanie wózka dziecięcego	63
Montaż i odłączanie kół przednich	63
Montaż i odłączanie kół tylnych	63
Montaż i odłączanie poprzeczki	63
Montaż daszka	63
Montaż i demontaż na pojemnik z napojem	63
Obsługa wózka dziecięcego	63
Regulacja oparcia na plecy	63
Używanie sprzączki	64
Używanie uprząży na barki i talię	64
Regulacja oparcia tydek	64
Używanie przedniej blokady obrotu	64
Używanie hamulca	65
Używanie daszka	65
Uchwyt regulacji	65
Używanie osłony uprząży na ramiona i osłony uprząży na krocze	65
Składanie wózka dziecięcego	65
Używanie akcesoriów	65
Czyszczenie i konserwacja	66

Sytuacje zagrożenia

W sytuacji zagrożenia lub po wypadku najważniejsze jest, aby udzielić dziecku pierwszej pomocy i jak najszybciej oddać je pod opiekę lekarza.

Informacje o produkcie

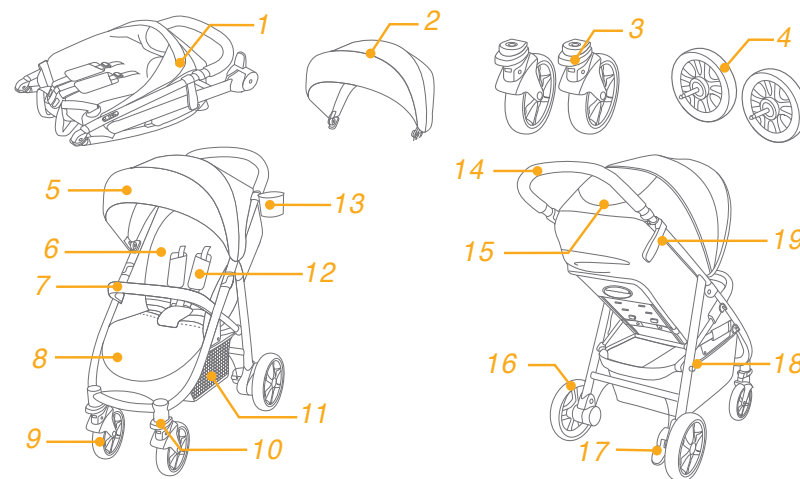
Przed rozpoczęciem używania tego produktu należy przeczytać wszystkie instrukcje z tego podręcznika. W przypadku jakichkolwiek dalszych pytań należy się skontaktować ze sprzedawcą. Niektóre funkcje zależą od modelu.

Produkt	Wózek dziecięcy Litetrax™ 4 dlx
Odpowiedni dla	dzieci o wadze do 22kg lub w wieku do 4 lat, zależnie od tego co nastąpi wcześniej.
Materiały	Tworzywa sztuczne, metal, tkaniny
Nr patentu	Trwa postępowanie patentowe
Wyprodukowano w	Chinach
Nazwa marki	Joie
Strona internetowa	www.joiebaby.com
Producent	Allison GmbH

Lista części

Przed montażem należy się upewnić, że dostępne są wszystkie części. Jeśli którejś z części brakuje, należy się skontaktować z lokalnym sprzedawcą. Do montażu nie są potrzebne żadne narzędzia.

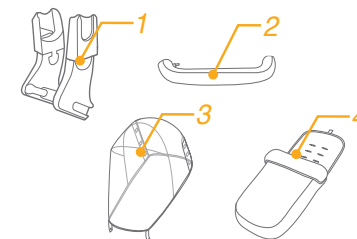
1 Rama wózka dziecięcego	6 Wkładka siedzenia	12 Uprząż na ramiona	17 Dźwignia hamulca
2 Daszek	7 Poprzeczka	13 Uchwyt na pojemnik z napojem	18 Element montażowy kosza
3 Koła przednie	8 Oparcie tydek	14 Uchwyt	19 Zatrask kosza
4 Koła tylne	9 Koła przednie	15 Okno daszka	
5 Daszek	10 Blokady obrotu	16 Koła tylne	
	11 Kosz		



Akcesoria

(Mogą nie być dostarczone)

- 1 Adapter (w niektórych modelach)
- 2 Osłona poprzeczki (w niektórych modelach)
- 3 Osłona przeciwdeszczowa (w niektórych modelach)
- 4 Śpiworek (w niektórych modelach)



Akcesoria mogą być sprzedawane oddzielnie lub, w zależności od regionu, mogą nie być dostępne.

OSTRZEŻENIE

- ! OSTRZEŻENIE Upewnij się przed użyciem, czy wszystkie urządzenia blokujące są włączone.
- ! OSTRZEŻENIE Aby uniknąć obrażeń, upewnij się, czy twoje dziecko jest odsunięte kiedy rozkłada się lub składa niniejszy wyrób.
- ! OSTRZEŻENIE Nie pozwalaj dziecku bawić się niniejszym wyrobem.
- ! OSTRZEŻENIE Zawsze używaj systemu zapieć.
- ! OSTRZEŻENIE Sprawdź, czy urządzenia mocujące gondolę lub siedzisko lub fotelik samochodowy są prawidłowo załączone przed użyciem.
- ! Wymagany jest montaż przez osobę dorosłą.
- ! Wózek dziecięcy może być używany w przypadku dziecka o wadze poniżej 22 kg. Nieodpowiednia waga dziecka może spowodować uszkodzenie wózka.
- ! Aby zapobiec niebezpiecznym sytuacjom i niestabilności, w koszu nie należy umieszczać więcej niż 4,5 kg bagażu.
- ! Maksymalny, zalecany udźwig uchwytu na pojemnik z napojem to 0,5 kg.
- ! Nigdy nie zostawiaj swojego dziecka bez opieki. Dziecko w wózku powinno być zawsze widoczne.
- ! W wózku dziecięcym może znajdować się jednocześnie tylko jedno dziecko. Nigdy nie należy zawieszać torebek, toreb na zakupy, paczek ani akcesoriów na uchwycie lub na daszku.
- ! Nie należy używać akcesoriów niezatwierdzonych przez producenta. Używać należy wyłącznie części zamiennych dostarczonych lub zalecanych przez producenta.
- ! Przeciążenie, nieprawidłowe złożenie lub używanie części składowych od innych producentów może spowodować uszkodzenie wózka dziecięcego, złamanie lub zagrożenie dla bezpieczeństwa. Należy dokładnie przeczytać instrukcję obsługi.
- ! Przed użyciem tego produktu należy przeczytać wszystkie instrukcje z tego podręcznika. Podręcznik należy zachować do przyszłego użycia. Niestosowanie się do tych ostrzeżeń i instrukcji może spowodować poważne obrażenia lub śmierć.
- ! Aby uniknąć poważnych obrażeń w wyniku upadku lub zsunięcia, należy używać pasa bezpieczeństwa.
- ! Podczas regulacji wózka dziecięcego należy się upewnić, że dziecko znajduje się z dala od ruchomych części.
- ! Przed dopuszczeniem dziecka w pobliże wózka dziecięcego należy się upewnić, że wózek dziecięcy jest całkowicie otwarty lub złożony.
- ! Jeśli nie będzie używana uprząż, dziecko może ześlizgnąć się do szczelin na nogi i udusić się.
- ! Nigdy nie należy używać wózka dziecięcego na schodach lub w windach.
- ! Należy unikać obiektów o wysokich temperaturach, płynów i elektroniki.
- ! Nigdy nie należy pozwalać dziecku stawać w wózku lub siadać w wózku głową zwróconą w kierunku przodu wózka.
- ! Wózka dziecięcego nigdy nie należy ustawiać na drogach, stokach lub w nie-

bezpiecznych miejscach.

- ! Aby uniknąć uduszenia, NIE wolno umieszczać na szyi dziecka elementów ze sznurkiem, pozostawiać wiszących sznurków na tym produkcie lub wiązać sznurków do zabawek.
- ! Wszelkie obciążenia przymocowane do uchwytu lub do oparcia tylnego albo z boków wózka dziecięcego wpłyną na stabilność wózka.
- ! NIE należy podnosić wózka, gdy znajduje się w nim dziecko.
- ! NIE należy używać kosza do przewożenia dziecka.
- ! Aby zapobiec przewróceniu, nigdy nie należy pozwalać dziecku na wspinanie się po wózku. Należy zawsze samodzielnie wkładać i wyjmować dziecko z wózka.
- ! Aby uniknąć przytrzaśnięcia palców, podczas składania i rozkładania wózka dziecięcego należy zachować ostrożność.
- ! Aby uniknąć obrażeń, podczas składania i rozkładania tego produktu należy się upewnić, że dziecko znajduje się w bezpiecznej odległości.
- ! Aby zapewnić bezpieczeństwo dziecka, przed użyciem wózka dziecięcego należy się upewnić, że wszystkie części zostały złożone i przymocowane prawidłowo.
- ! Aby uniknąć uduszenia, należy się upewnić, że dziecko znajduje się w bezpiecznej odległości od daszka.
- ! Podczas parkowania wózka dziecięcego należy zawsze uruchamiać hamulce.
- ! Należy zaprzestać używania wózka, jeśli zostanie on uszkodzony lub pęknięty.
- ! Wózek dziecięcy może być używany wyłącznie z prędkością spacerową. Ten produkt nie jest przeznaczony do używania podczas joggingu.
- ! Aby uniknąć poparzeń, nigdy nie należy umieszczać gorących płynów w uchwycie na pojemnik z napojem.
- ! Aby uniknąć uduszenia, przed użyciem tego produktu należy usunąć plastikowy worek i materiały pakujące. Plastikowy worek i materiały pakujące należy trzymać z dala od niemowląt i dzieci.
- ! Niniejszy wyrób nie jest odpowiedni do biegania ani jazdy na rolkach.
- ! Wózek dziecięcy przeznaczony dla dzieci od urodzenia, dla noworodków powinien być używany w najbardziej nachylonej pozycji.
- ! Podczas wkładania i wyjmowania dzieci należy uruchomić urządzenie parkingowe.
- ! Systemy przytrzymujących dla niemowląt, używane w połączeniu z podstawą w pojeździe, nie zastąpią łóżeczka dziecięcego lub łóżka. Gdy dziecko chce spać, należy je umieścić w odpowiednim wózku dziecięcym, łóżeczku dziecięcym lub na łóżku.
- ! Gondola nadaje się wyłącznie dla dziecka, które nie potrafi samodzielnie siadać, przewracać i podnosić się w górę na rękach lub kolanach. Maksymalna waga dziecka: 9 kg.
- ! NIE używaj i nie dodawaj żadnego innego materaca niż dostarczony z tą gondolą.
- ! Ten produkt jest przeznaczony dla dzieci o wadze do 22kg lub w wieku do 4 lat, zależnie od tego co nastąpi wcześniej.

Montaż wózka dziecięcego

Przed montażem i rozpoczęciem używania tego produktu należy przeczytać wszystkie instrukcje z tego podręcznika.

Rozkładanie wózka dziecięcego

patrz rysunki 1 - 2

Oddziel zatrzask kosza od elementu montażowego 1 kosza, a następnie unieś uchwyt do góry 2, dźwięk kliknięcia oznacza, że wózek dziecięcy jest całkowicie rozłożony.

! Przed kontynuacją należy sprawdzić, czy wózek dziecięcy jest całkowicie zatrzasknięty.

Montaż i odłączanie kół przednich

patrz rysunki 3 - 4

Montaż i odłączanie kół tylnych

patrz rysunki 5 - 6

Montaż i odłączanie poprzeczki

patrz rysunki 7 - 8

Montaż daszka

patrz rysunki 9 - 10

Montaż i demontaż na pojemnik z napojem

patrz rysunki 11 - 12

Całkowicie złożony wózek dziecięcy jest pokazany na rysunku 13.

Działanie wózka dziecięcego

Regulacja oparcia na plecy

patrz rysunki 14 - 15

4 kąty nachylenia oparcia pleców.

Nachylenie oparcia pleców

Aby nachylić oparcie pleców, ściśnij uchwyt nachylania z tyłu siedzenia, naciśnij w dół oparcie pleców. 14

Podnoszenie oparcia pleców

Aby podnieść oparcie pleców, naciśnij w górę. 15

! Upewnij się, że nachylenie jest ustawione prawidłowo.

Używanie sprzączki

patrz rysunki 16 - 17

Zwolnienie sprzączki

Naciśnij środkowy przycisk, aby zwolnić sprzączkę. 16

Sprzączka blokady

Dopasuj sprzączkę pasa talii do sprzączki na ramiona 17 - 1 i zatrzasknij w środkowej sprzączce. 17 - 2 Dźwięk zatrzasku oznacza, że sprzączka jest całkowicie zatrzasknięta. 17 - 3

! Aby uniknąć poważnych obrażeń w wyniku upadku lub zsunięcia, należy zawsze zabezpieczyć dziecko uprzężą.

! Należy się upewnić, że dziecko jest dobrze zabezpieczone. Odległość pomiędzy dzieckiem a uprzężą na ramiona powinna wynosić około grubości jednej dłoni.

! Nie należy krzyżować pasów na ramiona. Może to spowodować nacisk na kark dziecka.

Używanie uprząży na barki i talię

patrz rysunki 18 - 21

! Aby zabezpieczyć dziecko przed upadkiem, po umieszczeniu dziecka na siedzeniu, należy sprawdzić, czy uprząż na ramiona i na talię jest założona na właściwej wysokości i czy ma odpowiednią długość.

18 - 1 Kotwa A uprząży na ramiona

18 - 2 Kotwa B uprząży na ramiona

18 - 3 Regulator przesuwu

Dla większego dziecka należy użyć kotwy A uprząży i najwyższych szczelin uprząży na ramiona. Dla większego dziecka należy użyć kotwy B uprząży i najniższych szczelin uprząży na ramiona.

Aby wyregulować pozycję kotwy uprząży na ramiona, obróć kotwę w celu wypoziomowania ze stroną skierowaną do przodu. Przelóż ją przez szczelinę uprząży na ramiona od tyłu do przodu. 19 Przelóż ponownie przez szczelinę najbliższą wysokości ramion dziecka. 20

Użyj regulatora przesuwu do zmiany długości uprząży. 21 - 1

Naciśnij przycisk 21 - 2, jednocześnie pociągając uprząż talii do prawidłowej długości. 21 - 3

Regulacja oparcia tydek

patrz rysunki 22

Oparcie tydek ma 2 pozycje.

Aby unieść oparcie tydek, naciśnij je do góry. Dźwięk zatrzasku oznacza, że oparcie tydek jest całkowicie zablokowane.

Aby obniżyć oparcie tydek, naciśnij przyciski regulacji po obu stronach oparcia tydek 22 - 1 i obróć oparcie tydek w dół. 22 - 2

Używanie przedniej blokady obrotu

patrz rysunki 23

Naciśnij przednie blokady obrotu, aby utrzymać kierunek ruchu. 23

Wskazówka Zalecana do używania blokady obrotu na nierównych powierzchniach.

Używanie hamulca patrz rysunki 24 - 25

Aby zablokować koła, opuść w dół dźwignię hamulca. 24

Aby zwolnić koła, podnieś dźwignię hamulca do góry. 25

Wskazówka Gdy wózek dziecięcy ma stać nieruchomo, należy zawsze uruchomić hamulec parkingowy.

Używanie daszka patrz rysunki 26

Daszek można otwierać lub składać, pociągnij go do przodu lub do tyłu.

Daszek można otworzyć całkowicie, aby zabezpieczyć dziecko przed nadmiernym słońcem, wystarczy otworzyć zamek suwakami 26, a następnie pociągnąć daszek do przodu.

Na daszku znajduje się okno, przez które można widzieć dziecko.

Uchwyt regulacji patrz rysunki 27

Używanie osłony uprząży na ramiona i osłony uprząży na krocze

Oslonę uprząży na ramiona lub osłonę uprząży na krocze można zdjąć z uprząży. Aby zamontować osłonę uprząży na ramiona i osłonę uprząży na krocze, należy wykonać podane instrukcje w odwrotnej kolejności. 28

Składanie wózka dziecięcego

patrz rysunki 29 - 32

! Przed złożeniem wózka na dziecko należy złożyć daszek.

1. Pociągnij uprząż składania do góry, rama automatycznie złoży się do tyłu. 30 - 1
2. Zatrask kosza automatycznie zaczepi się za element do montażu kosza, po czym wózek złoży się i zostanie całkowicie zablokowany. 31
3. Po złożeniu wózek dziecięcy może stać. 32

Używanie akcesoriów

Akcesoria mogą być sprzedawane oddzielnie lub, w zależności od regionu, mogą nie być dostępne.

Używanie z systemem przytrzymującym dla niemowląt

patrz rysunki 33 - 39

Podczas używania z systemem przytrzymującym dla niemowląt Joie należy sprawdzić następujące instrukcje.

- ! Przed użyciem systemu przytrzymującego dla niemowląt należy się upewnić, że oparcie pleców zostało wyregulowane do najniższej pozycji oraz że system przytrzymujący dla niemowląt został zamocowany.
- ! W razie problemów dotyczących używania systemów przytrzymujących dla niemowląt należy sprawdzić odpowiedni podręcznik obsługi.
- ! Nie należy składać wózka dziecięcego, gdy system przytrzymujący dla niemowląt jest nadal zamontowany.

Korzystanie z gondoli Joie patrz rys 40 - 41

Podczas korzystania z gondoli Joie ramble, ramble xl, należy zapoznać się z treścią niniejszej instrukcji.

- ! Jeśli masz jakiegokolwiek problem dotyczący korzystania z gondoli, sprawdź treść niniejszej instrukcji.
- ! Podczas korzystania z gondoli zawsze używaj materaca.
- ! Nie składaj wózka, kiedy gondola jest zamontowana na nim.

Użycie osłony przeciwdeszczowej patrz rys 42

Aby zamontować osłonę przeciwdeszczową, umieść ją na wózku, a następnie połącz 8 par rzepów znajdujących się na osłonie przeciwdeszczowej. 42

- ! Przed użyciem osłony przeciwdeszczowej, upewnij się, że oparcie zostało dostosowane do najniższej pozycji i - w przypadku użycia fotelika samochodowego z wózkiem - fotelik został zamocowany.
- ! Używając osłony przeciwdeszczowej, zawsze sprawdzaj jej wentylację.
- ! Gdy osłona przeciwdeszczowa nie jest używana, należy sprawdzić, czy została ona oczyszczona i wysuszona całkowicie przed jej złożeniem.
- ! Nie składaj wózka po zamontowaniu osłony przeciwdeszczowej.
- ! Podczas upałów nie umieszczaj dziecka w wózku z zamontowaną osłoną przeciwdeszczową.

Użycie śpiworka patrz rys 43 - 44

Czyszczenie i konserwacja patrz rysunki 45

- ! Do czyszczenia ramy wózka dziecięcego, należy używać wyłącznie zwykłego mydła i ciepłej wody. Nie należy stosować wybielaczy lub detergentów. Odwołaj się do wskazówek umieszczonych na metkach produktu w sprawie czyszczenia tkanin wózka.
- ! Usuwalne tekstylia mogą być prane w pralce. Nie wolno wybielać. Nie wyżynać do wyschnięcia z dużą siłą tekstyliów siedziska oraz wewnętrznych wkładek. Może to spowodować zmarszczenie i pofałdowanie tekstyliów siedziska oraz wewnętrznych wkładek.
- ! Od czasu do czasu należy sprawdzić wózek dziecięcy pod kątem poluzowanych śrub, zużytych części, przetartego materiału lub szwów. W razie potrzeby należy wymienić lub naprawić części. Okresowo należy otrzeć plastikowe części miękką wilgotną ściereczką. Zawsze osusz części metalowe produktu, aby zapobiec tworzeniu się rdzy, jeśli wózek miał kontakt z wodą.
- ! Nadmierna ekspozycja na słońce lub wysoką temperaturę może spowodować płowienie lub wykrzywianie części.
- ! Jeśli wózek dziecięcy zamoczy się, przed przechowywaniem należy otworzyć daszek i zaczekać na wyschnięcie.
- ! Jeśli koła skrzypią, należy użyć lekkiego oleju (np., aerozol silikonowy, olej przeciwdeszczowy lub olej do maszyn do szycia). Ważne jest, aby nasmarować zespół osi i kół. 45
- ! Podczas używania wózka na plaży lub w innych miejscach zapiaszczonych/zakurzonych należy całkowicie oczyścić wózek dziecięcy po użyciu, usuwając z mechanizmów i zespołów kół piasek i sól.

IT Benvenuto a Joie™

Congratulazioni per essere entrato a far parte della famiglia Joie! Siamo lieti di far parte delle avventure del tuo bambino. Quando viaggi con Joie Litetrax™ 4 dlx, sei sicuro di utilizzare un passeggino di alta qualità, totalmente certificato, approvato in base alle norme di sicurezza europee EN 1888-2:2018. Questo prodotto è adatta a bambini fino a 22 kg o 4 anni, qualunque degli eventi si verifichi prima. Leggere attentamente questo manuale e attenersi a ogni procedura per garantire un viaggio comodo e la migliore protezione per il bambino.

IMPORTANTE - Conservare le presenti istruzioni per riferimenti futuri.

Visitate il nostro sito joiebaby.com per scaricare i manuali e conoscere altri eccezionali prodotti Joie!

Per informazioni sulla garanzia, visitare il nostro sito internet all'indirizzo joiebaby.com

Indice

Figure	1-9
AVVISO	69
Montaggio del passeggino	71
Apertura del passeggino	71
Montaggio e rimozione della ruota anteriore	71
Montaggio e rimozione della ruota posteriore	71
Montaggio e rimozione del bracciolo	71
Montaggio del tettuccio	71
Assemble & distaccare del portabicchiere	71
Funzionamento del passeggino	71
Regolazione dello schienale	71
Uso della fibbia	72
Uso delle cinture di sicurezza a bretelle e inguinali	72
Regolazione del supporto per le gambe	72
Uso del blocco perno anteriore	72
Uso dei freni	73
Uso del tettuccio	73
Regolazione dell'impugnatura	73
Uso dell'imbottitura per le cinture di sicurezza a bretelle e inguinali	73
Chiusura del passeggino	73
Uso degli accessori	73
Pulizia e manutenzione	74

Emergenza

In caso di emergenza o incidenti, è estremamente importante portare il bambino al pronto soccorso per cure mediche immediate.

Informazioni sul prodotto

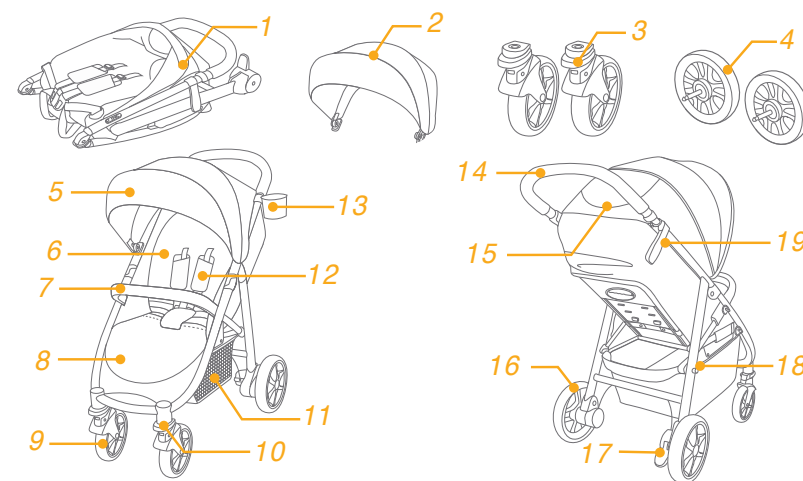
Leggere tutte le istruzioni del presente manuale prima di usare il prodotto. In caso di ulteriori domande, rivolgersi al rivenditore. Alcune funzioni potrebbero variare in base al modello.

Prodotto	Passeggino Litetrax™ 4 dlx
Adatto per prima.	Questo prodotto è adatta a bambini fino a 22 kg o 4 anni, qualunque degli eventi si verifichi prima.
Materiali	Plastica, metallo, tessuto
N. brevetto	Brevetti in corso di concessione
Prodotto in	Cina
Marca	Joie
Sito web	www.joiebaby.com
Produttore	Allison GmbH

Elenco componenti

Assicurarsi che tutti i componenti siano disponibili prima dell'assemblaggio. Se manca qualche componente, contattare il rivenditore locale. Per l'assemblaggio non è necessario nessun attrezzo.

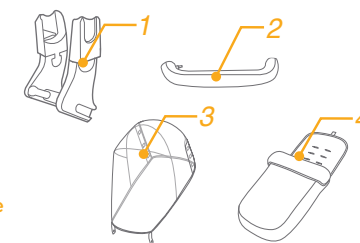
1 Telaio passeggino	7 Bracciolo	12 Cinture di sicurezza a bretelle	16 Ruota posteriore
2 Tettuccio	8 Supporto per le gambe	13 Portabicchiere	17 Leva del freno
3 Ruota anteriore	9 Ruota anteriore	14 Impugnatura	18 Supporto chiusura
4 Ruota posteriore	10 Blocco perno	15 Finestrella del tettuccio	19 Fermo di chiusura
5 Tettuccio	11 Cesto portaoggetti		
6 Imbottitura			



Accessori

(potrebbero non essere inclusi)

- 1 Adattatore (su alcuni modelli)
- 2 Copertura bracciolo (su alcuni modelli)
- 3 Parapioggia (su alcuni modelli)
- 4 Poggiapiedi (su alcuni modelli)



Gli accessori potrebbero essere venduti separatamente o non essere disponibili in base all'area di acquisto.

AVVISO

- ! AVVISO Prima dell'uso assicurarsi che tutti i meccanismi di bloccaggio siano correttamente agganciati.
- ! AVVISO Per evitare lesioni o ferimenti assicurarsi che il bambino sia a debita distanza durante le operazioni di apertura e chiusura del prodotto.
- ! AVVISO Non lasciare che il bambino giochi con questo prodotto.
- ! AVVISO Utilizzare sempre il sistema di ritenuta.
- ! AVVISO Prima dell'uso controllare che i meccanismi di aggancio della seduta, della navicella o del seggiolino auto siano correttamente agganciati.
- ! Il prodotto deve essere montato solo da adulti.
- ! Usare il passeggino con bambini di peso inferiore a 22 kg. Se il bambino è troppo grande, si potrebbero causare danni al passeggino.
- ! Per evitare condizioni di instabilità e pericolo, non collocare oggetti per un peso superiore a 4,5 kg nell'apposito cesto.
- ! Il peso massimo consigliato per il portabicchiere è di 0,5 kg (1 lb).
- ! Non lasciare mai il bambino incustodito. Sorvegliare sempre il bambino mentre si trova nel passeggino.
- ! Usare il passeggino con un solo bambino per volta. Non collocare borse, sacchetti, pacchi o elementi accessori sull'impugnatura o sul tettuccio.
- ! Non devono essere utilizzati accessori non approvati dal produttore. Devono essere utilizzate solo le parti di ricambio fornite o consigliate dal produttore.
- ! Se il passeggino viene sovraccaricato, piegato in modo non corretto o usato insieme a componenti di altri produttori, si potrebbe danneggiare, rompere o diventare pericoloso. Leggere attentamente il manuale di istruzioni.
- ! Leggere tutte le istruzioni del manuale prima di usare il prodotto. Conservare questo manuale per riferimenti futuri. La mancata osservanza dei seguenti avvisi e istruzioni potrebbe causare lesioni gravi o il decesso.
- ! Per evitare gravi lesioni a seguito di caduta o scivolamento, usare sempre le cinture di sicurezza.
- ! Assicurarsi che il corpo del bambino sia lontano dalle parti in movimento quando si regola il passeggino.
- ! Assicurarsi che il passeggino sia completamente aperto o piegato prima che il bambino si avvicini.
- ! Il bambino potrebbe scivolare attraverso le aperture delle gambe ed essere strangolato se non si utilizzano le cinture di sicurezza.
- ! Non utilizzare mai il passeggino su scale o scale mobili.
- ! Tenere lontano da oggetti caldi, liquidi e dispositivi elettronici.
- ! Non permettere mai al bambino di mettersi in piedi sul passeggino, op-

pure di sedersi con la testa rivolta verso il passeggino.

- ! Non posizionare il passeggino su strade, pendii o aree pericolose.
- ! Per evitare lo strangolamento NON collocare oggetti dotati di lacci attorno al collo del bambino, appendere lacci a questo prodotto o fissare lacci ai giocattoli.
- ! Qualsiasi carico sull'impugnatura, sul retro dello schienale o sui lati del passeggino influisce sulla stabilità del passeggino stesso.
- ! NON sollevare il passeggino quando il bambino è al suo interno.
- ! NON utilizzare il cesto portaoggetti per il trasporto del bambino.
- ! Per evitare che si rovesci, evitare che il bambino si arrampichi sul passeggino. Sollevare sempre il bambino dentro e fuori dal passeggino.
- ! Per evitare di intrappolarsi le dita, prestare attenzione quando si piega e chiude il passeggino.
- ! Per evitare lesioni, assicurarsi che il bambino venga allontanato quando si piega o si apre il passeggino.
- ! Per garantire la sicurezza del bambino, assicurarsi che tutte le parti siano assemblate e fissate correttamente prima di usare il passeggino.
- ! Per evitare lo strangolamento, assicurarsi che il bambino sia lontano dal tettuccio e dalla copertura antipioggia.
- ! Innestare sempre i freni quando si parcheggia il passeggino.
- ! Cessare di utilizzare il passeggino, se è danneggiato o rotto.
- ! Il passeggino deve essere utilizzato esclusivamente per passeggiare. Questo prodotto non deve essere utilizzato quando si pratica jogging.
- ! Per evitare ustioni, non versare liquidi caldi nel portabicchiere.
- ! Per evitare il soffocamento, rimuovere il sacchetto di plastica ed i materiali di imballaggio prima di usare questo prodotto. Il sacchetto di plastica ed i materiali di imballaggio devono quindi essere tenuti lontani dalla portata dei bambini.
- ! Questo prodotto non è adatto per correre o pattinare.
- ! Per i passeggini concepiti per i neonati, si consiglia di utilizzare la posizione più inclinata.
- ! Il dispositivo di parcheggio deve essere innestato quando si accomoda o si preleva il bambino.
- ! Per i sistemi di ritenuta per bambini utilizzati in combinazione con un telaio, questo veicolo non sostituisce una culla o un letto. Se il bambino ha necessità di dormire deve essere messo in una culla o lettino appropriato.
- ! La culla portatile è adatta per un bambino che non è ancora in grado di stare seduto da solo, si rovescia e non può rialzarsi con le mani e mettersi in ginocchio. Peso massimo del bambino: 9 kg.
- ! NON utilizzare o aggiungere materassini diversi da quello fornito con la culla portatile.
- ! Questo prodotto è adatta a bambini fino a 22 kg o 4 anni, qualunque degli eventi si verifichi prima.

Montaggio del passeggino

Leggere tutte le istruzioni del presente manuale prima di montare ed usare il prodotto.

Apertura del passeggino

Fare riferimento alle immagini 1 - 2

Separare il fermo di chiusura dal supporto chiusura 1, quindi sollevare l'impugnatura verso l'alto 2. Quando si sente un clic significa che il passeggino è completamente aperto.

! Verificare che il passeggino sia completamente bloccato prima di continuare ad utilizzarlo.

Montaggio e rimozione della ruota anteriore

Fare riferimento alle immagini 3 - 4

Montaggio e rimozione della ruota posteriore

Fare riferimento alle immagini 5 - 6

Montaggio e rimozione del bracciolo

Fare riferimento alle immagini 7 - 8

Montaggio del tettuccio

Fare riferimento alle immagini 9 - 10

Assemble & distaccare del portabicchiere

Fare riferimento alle immagini 11 - 12

Il passeggino completamente assemblato è illustrato nell'immagine 13.

Funzionamento del passeggino

Regolazione dello schienale

Fare riferimento alle immagini 14 - 15

Lo schienale ha 4 angoli (posizioni) di inclinazione.

Reclinare lo schienale

Per reclinare lo schienale, premere l'impugnatura di inclinazione sul retro del sedile e tirare verso il basso lo schienale. 14

Sollevare lo schienale

Per sollevare lo schienale, spingere verso l'alto. 15

! Assicurarsi che l'inclinazione sia regolata correttamente per l'uso.

Uso della fibbia

Fare riferimento alle immagini 16 - 17

Sblocco della fibbia

Premere il pulsante centrale per liberare la fibbia. 16

Blocco della fibbia

Far combaciare la fibbia della cintura a vita con quella della cintura di sicurezza con bretelle 17 - 1, quindi innestare nella fibbia centrale. 17 - 2 Quando si sente il "clic" significa che la fibbia è bloccata. 17 - 3

! Per evitare gravi lesioni a seguito di caduta o scivolamento, proteggere sempre il bambino utilizzando le cinture di sicurezza.

! Assicurarsi che le cinture proteggano il bambino in sicurezza. Lo spazio tra il bambino e la cintura di sicurezza con bretelle deve essere pari a circa lo spessore di una mano.

! Non incrociare le cinture di sicurezza con bretelle. Diversamente si provocherà pressione sul collo del bambino.

Uso delle cinture di sicurezza a bretelle e inguinali

Fare riferimento alle immagini 18 - 21

! Per proteggere il bambino dalla caduta, dopo averlo accomodato sul sedile, verificare che le cinture di sicurezza a bretelle e inguinali abbiano una altezza e lunghezza appropriate.

18 - 1 Punto di attacco della cintura di sicurezza con bretelle A

18 - 2 Punto di attacco della cintura di sicurezza con bretelle B

18 - 3 Dispositivo scorrevole di regolazione

Per i bambini più grandi, utilizzare il punto di attacco della cintura di sicurezza con bretelle A e le fessure superiori. Per i bambini più piccoli, utilizzare il punto di attacco della cintura di sicurezza con bretelle B e le fessure inferiori.

Per regolare la posizione del punto di attacco della cintura di sicurezza con bretelle, girare il punto di attacco in modo che sia in piano con il lato rivolto in avanti. Infilarlo nella fessura della cintura di sicurezza con bretelle dalla parte posteriore verso quella anteriore. 19 Infilarlo di nuovo nella fessura più vicina in modo che sia all'altezza delle spalle del bambino. 20

Utilizzare il dispositivo scorrevole di regolazione per modificare la lunghezza delle cinture di sicurezza. 21 - 1

Premere il pulsante 21 - 2 mentre si tira la cintura inguinale alla lunghezza adeguata. 21 - 3

Regolazione del supporto per le gambe

Fare riferimento alle immagini 22

Il supporto per le gambe ha 2 posizioni.

Per sollevarlo, spingerlo verso l'alto. Quando si sente il "clic" significa che il supporto per le gambe è completamente bloccato.

Per abbassarlo, premere i pulsanti di regolazione su entrambi i lati del supporto per le gambe 22 - 1 e abbassarlo. 22 - 2

Uso del blocco perno anteriore

Fare riferimento alle immagini 23

Sollevare i blocchi dei perni anteriori per mantenere la direzione di movimento. 23

Suggerimento si consiglia di utilizzare i i blocchi dei perni sulle superfici irregolari.

Uso dei freni

Fare riferimento alle immagini 24 - 25

Per bloccare le ruote, abbassare la leva del freno. 24

Per sbloccare le ruote, basta sollevare la leva del freno. 25

Suggerimento Innestare sempre il freno di stazionamento quando il passeggino non è in movimento.

Uso del tettuccio

Fare riferimento alle immagini 26

Il tettuccio può essere aperto o piegato, tirato in avanti o all'indietro.

Il tettuccio può essere aperto completamente per proteggere il bambino dal sole. Basta aprire la cerniera 26 e tirare il tettuccio in avanti.

Sul tettuccio è presente una finestrella, attraverso la quale si può osservare il bambino.

Regolazione dell'impugnatura

Fare riferimento alle immagini 27

Uso dell'imbottitura per le cinture di sicurezza a bretelle e inguinali

Le imbottiture della cintura di sicurezza con bretelle o inguinale possono essere rimosse dalle cinghie. Per rimettere le imbottiture della cintura di sicurezza con bretelle e inguinale, basta invertire la procedura. 28

Chiusura del passeggino

Fare riferimento alle immagini 29 - 32

! Prima di piegare il passeggino, piegare il tettuccio.

1. Tirando la cinghia pieghevole verso l'alto, il telaio si piega automaticamente in avanti. 30 - 1
2. Il fermo di chiusura si aggancia automaticamente al supporto chiusura, quindi il passeggino viene piegato e bloccato completamente. 31
3. Il passeggino rimane eretto quando viene piegato. 32

Uso degli accessori

Gli accessori potrebbero essere venduti separatamente o non essere disponibili in base all'area di acquisto.

Uso con sistema di ritenuta per bambini

Fare riferimento alle immagini 33 - 39

Quando si utilizza il sistema di ritenuta per bambini Gemm, i-Gemm 2, i-Snug & i-Level Joie, attenersi alle seguenti istruzioni.

- ! Prima di utilizzare il sistema di ritenuta per bambini, assicurarsi che lo schienale sia stato regolato alla posizione inferiore e che il sistema di ritenuta per bambini sia stato allacciato.
- ! In caso di problemi con l'uso del sistema di ritenuta per bambini, fare riferimento ai relativi manuali di istruzioni.

! Non piegare il passeggino se il sistema di ritenuta per bambini è ancora fissato.

Uso con culla portatile Joie

vedere le immagini 40 - 41

Quando si utilizza la culla portatile Joie ramble, ramble xl, fare sempre riferimento alle seguenti istruzioni.

- ! In caso di problemi con l'uso della culla portatile, fare riferimento ai relativi manuali di istruzioni.
- ! Quando si usa la culla portatile, usare sempre anche il materassino.
- ! Non piegare il passeggino quando si fissa la culla portatile.

Utilizzo della parapioggia

vedere le immagini 42

Per montare la parapioggia, posizionatela sopra il carello, e quindi fissate 8 paia di ganci e anelli di montaggio e 2 paia di occhielli sulla parapioggia. 42

- ! Prima di utilizzare la parapioggia, assicuratevi che la culla portatile è stata nella più bassa posizione.
- ! Quando si utilizza la parapioggia controllate sempre la ventilazione.
- ! Quando la parapioggia non si utilizza, controllate se è stata pulita e asciugata prima della piegatura.
- ! Se la parapioggia è sopra il carello, rimuovete sempre il coperchio per evitare tagli e strappi.
- ! Non piegate il passeggino dopo il montaggio della parapioggia.
- ! Non posizionate il bambino nel passeggino con la parapioggia installata in estate.

Utilizzo custodia per le gamba

vedere le immagini 43 - 44

Pulizia e manutenzione

Fare riferimento alle immagini 45

- ! Per pulire il telaio del passeggino, utilizzare solo una soluzione di sapone e acqua calda. Non usare candeggina o detergente. Fare riferimento all'etichetta con le istruzioni di lavaggio per pulire il tessuto del passeggino.
- ! Il rivestimento imbottito rimovibile può essere lavato in lavatrice. Non usare candeggina. Non attorcigliare la fodera e l'imbottitura interna per asciugare con grande forza. Si potrebbero lasciare grinze sulla fodera e l'imbottitura interna.
- ! Controllare periodicamente la presenza di viti allentate, componenti usurati, materiali strappati o scuciti del passeggino. Se necessario, sostituire o riparare i componenti. Pulire periodicamente le parti in plastica con un panno umido. Asciugare sempre le parti di metallo per evitare la formazione di ruggine se il passeggino entra in contatto con l'acqua.
- ! Un'eccessiva esposizione alla luce del sole potrebbe causare lo scolorimento o la deformazione dei componenti.
- ! Se il passeggino si bagna, aprire il tettuccio e lasciarlo asciugare completamente prima di riporlo.
- ! Se le ruote cigolano, utilizzare un olio leggero (ad esempio: spray al silicone, olio antiruggine od olio per macchine da cucire). È importante oliare il gruppo asse e ruota. 45
- ! Quando si utilizza il passeggino in spiaggia o altri ambienti sabbiosi/polverosi, pulirlo completamente dopo l'uso per rimuovere la sabbia ed il sale dai meccanismi e dal gruppo della ruota.

Gefeliciteerd dat u nu lid bent van de Joie-familie! Het doet ons veel genoegen om deel te kunnen uitmaken van uw reis met uw kleintje. Bij het reizen met de Joie Litetrax™ 4 dlx gebruikt u een volledig gecertificeerde kwaliteits-wandelwagen, goedgekeurd volgens de Europese veiligheidsnorm EN 1888-2:2018. Dit product is geschikt voor kinderen tot 22kg of 4 jaar, als dat zich eerder voordoet. Lees deze handleiding zorgvuldig en volg elke stap om voor een comfortabele rit en de beste bescherming van uw kind te zorgen.

BELANGRIJK: bewaar deze instructies zodat u ze later opnieuw kunt raadplegen.

Bezoek ons op joiebaby.com om handleidingen te downloaden en nog meer interessante producten van Joie te zien.

Bezoek voor de garantiebepalingen svp onze website joiebaby.com

Inhoud

Afbeeldingen	1-9
WAARSCHUWING	77
Montage wandelwagen	79
Open wandelwagen	79
Voorwiel monteren en demonteren	79
Achterwiel monteren en demonteren	79
Armsteun monteren en demonteren	79
Kap monteren	79
Bekerhouder montage & demontage	79
Gebruik wandelwagen	79
Rugsteun instellen	79
Riem gebruiken	80
Schouder- en middelriemen gebruiken	80
Kuitsteun aanpassen	80
Blokkering voorwielen	80
Remmen	81
Kap gebruiken	81
Handgreep instellen	81
Gebruik afdekking schouderriemen en afdekking kruisriemen	81
Wandelwagen opvouwen	81
Accessoires gebruiken	81
Reiniging en onderhoud	84

Noodgeval

Bij een noodsituatie of een ongeluk is het heel belangrijk om uw kind direct te laten verzorgen met eerste hulp en medische behandeling.

Productinformatie

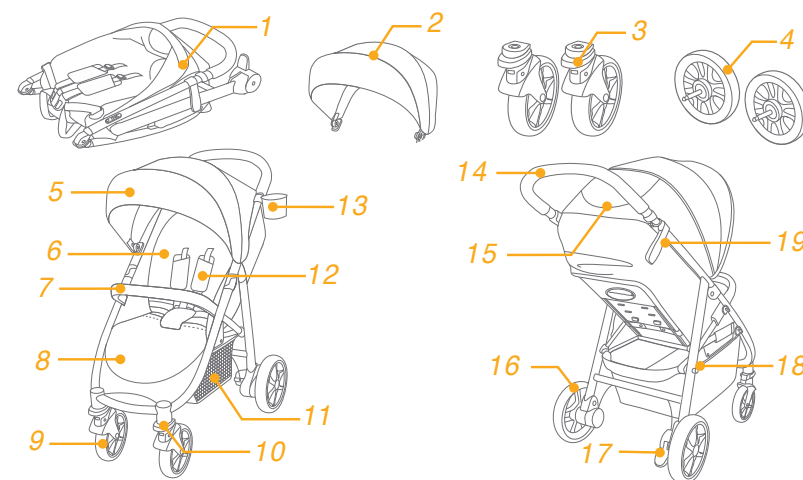
Lees alle aanwijzingen in deze handleiding voordat u het product gebruikt. Als u vragen hebt, kunt u contact opnemen met de verkoper. Sommige functies kunnen verschillen, afhankelijk van het model.

Product	Litetrax™ 4 dlx wandelwagen
Geschikt voor	Dit product is geschikt voor kinderen tot 22kg of 4 jaar, als dat zich eerder voordoet.
Materialen	Kunststoffen, metaal, geweven stoffen
Patentnr.	Patenten aangevraagd
Gemaakt in	China
Merksnaam	Joie
Website	www.joiebaby.com
Fabrikant	Allison GmbH

Onderdelenlijst

Zorg dat alle onderdelen voor het opslaan droog zijn. Als er items ontbreken of beschadigd zijn, kunt u contact opnemen met uw leverancier. Voor de montage is geen gereedschap nodig.

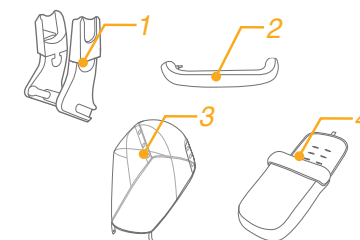
1 Frame wandelwagen	6 Zitkussen	12 Schoudergordel	17 Remhendel
2 Kap	7 Armsteun	13 Bekerhouder	18 Opbergbeugel
3 Voorwiel	8 Kuitsteun	14 Hendel	19 Opberggrendel
4 Achterwiel	9 Voorwiel	15 Raampje van de kap	
5 Kap	10 Draaislot	16 Achterwiel	
	11 Opbergmand		



Accessoires

(Mogelijk niet meegeleverd)

- 1 Adapter (op bepaalde modellen)
- 2 Armsteundek (bij bepaalde modellen)
- 3 Regenhoes (bij bepaalde modellen)
- 4 Hoes voor (bij bepaalde modellen)



Accessoires kunnen al dan niet apart leverbaar zijn, afhankelijk van de regio.

WAARSCHUWING

- ! WAARSCHUWING Zorg ervoor dat alle vergrendelingsmechanismes vast zitten voor dat je het product gebruikt.
- ! WAARSCHUWING Zorg ervoor dat het kind uit de buurt is tijdens het in- en uitklappen van het product om letsel te voorkomen.
- ! WAARSCHUWING Laat het kind niet met dit product spelen.
- ! WAARSCHUWING Altijd het veiligheidstuigje gebruiken.
- ! WAARSCHUWING Controleer voor gebruik of het wiegje, het kinderwagenzitje, of het autostoeltje goed vast zit op het kinderwagenchassis.
- ! Montage door volwassene vereist.
- ! Gebruik de wandelwagen voor een kind dat minder dan 22 kg weegt. Als het kind niet past, kan dit de wandelwagen beschadigen.
- ! Om een gevaarlijke en instabiele conditie te vermijden, moet u niet meer dan 4,5 kg in de opbergmand plaatsen.
- ! Het aanbevolen maximale gewicht in de bekerhouder is 0,5 kg.
- ! Nooit het kind zonder toezicht laten. Let altijd op uw kind als het in de wandelwagen zit.
- ! Gebruik de wandelwagen met slechts één kind tegelijk. Leg nooit handtassen, boodschappentassen, pakjes of onderdelen van toebehoren op de greep of de kap.
- ! Gebruik geen toebehoren die niet door de fabrikant zijn goedgekeurd. Gebruik uitsluitend vervangende onderdelen die zijn geleverd of aanbevolen door de fabrikant.
- ! Overbelasting, onjuist opvouwen of het gebruik van onderdelen van andere fabrikanten kan schade of een onveilige situatie voor de wandelwagen opleveren. Lees altijd eerst zorgvuldig de handleiding.
- ! Lees alle aanwijzingen in deze handleiding voordat u het product gebruikt. Bewaar de handleiding voor later gebruik. Niet-naleving van de waarschuwingen en de instructies kan ernstig letsel of de dood veroorzaken.
- ! Om ernstig letsel te vermijden door vallen of uit de wagen glijden, moet u altijd de riemen gebruiken.
- ! Zorg ervoor dat het lichaam van uw kind geen bewegende onderdelen raakt bij het aanpassen van de wandelwagen.
- ! Zorg ervoor dat de wandelwagen geheel is in- of uitgevouwen voordat u een kind on de buurt daarvan laat.
- ! Het kind kan in de beenopeningen glijden en gewurgd worden als het harnas niet wordt gebruikt.
- ! Gebruik de wandelwagen nooit op trappen of roltrappen.
- ! Uit de buurt houden van voorwerpen, vloeistoffen en elektronica met een hoge temperatuur.
- ! Laat uw kind nooit in de wandelwagen staan of met het hoofd naar de

voorkant van de wandelwagen zitten.

- ! Plaats de wandelwagen nooit op wegen, hellingen of gevaarlijke gebieden.
- ! Om verstikking te voorkomen, moet u GEEN voorwerpen met een koord rond de hals van uw kind hangen, de koorden van dit product laten hangen of koorden aan speelgoed bevestigen.
- ! Elke last bevestigd aan de greep of op de achterkant van de rugsteun of de zijkanten van de wandelwagen beïnvloedt de stabiliteit van de wandelwagen.
- ! Til de wandelwagen NIET op als daar een kind in zit.
- ! Gebruik de opbergmand NIET om een kind in te plaatsen.
- ! Om omvallen te voorkomen, moet u het kind nooit in de wandelwagen laten klimmen. Til het kind altijd in en uit de wandelwagen.
- ! Om afgeklemd vingers te voorkomen, moet u opletten bij het in- en uitvouwen van de wandelwagen.
- ! Om letsel te voorkomen, moet u uw kind uit de buurt houden tijdens het open- of samenvouwen van dit product.
- ! Om voor de veiligheid van uw kind te zorgen, moet u ervoor zorgen dat alle onderdelen goed zijn gemonteerd en vastgezet voordat u de wandelwagen gebruikt.
- ! Om verstikking te voorkomen, moet u ervoor zorgen dat uw kind niet door de kap wordt bedekt.
- ! Gebruik altijd de remmen bij het parkeren van de wandelwagen.
- ! Gebruik de wandelwagen niet meer als deze is beschadigd of kapot is.
- ! De wandelwagen mag alleen met een loopsnelheid gebruikt worden. Dit product is niet bedoeld voor gebruik tijdens het joggen.
- ! Om brandwonden te voorkomen, moet u nooit hete vloeistoffen in de bekerhouder plaatsen.
- ! Om verstikking te voorkomen, moet u de plastic zak en verpakkingsmaterialen verwijderen voordat u de stoel gebruikt. Houd de plastic zak en verpakkingsmaterialen buiten bereik van baby's en kinderen.
- ! Dit product is niet geschikt om mee hard te lopen of te skeeleren.
- ! Wandelwagen ontworpen voor gebruik vanaf de geboorte, gebruik de meest vlakke stand voor pasgeboren baby's.
- ! Bij het plaatsen en verwijderen van het kind moet de parkeerrem geactiveerd zijn.
- ! Voor kinderstoeltjes die gebruikt worden in combinatie met een chassis, vervangt dit voertuig geen draagwieg of bed. Als uw kind moet slapen, moet u het in een geschikte kinderwagen, wieg of bed leggen.
- ! Reiswieg is alleen geschikt voor een baby die nog niet rechtop kan zitten, om kan rollen, of zichzelf op handen en voeten kan duwen. Maximum gewicht van de baby: 9kg.
- ! Gebruik GEEN andere matras dan degene die met de reiswieg wordt meegeleverd.
- ! Dit product is geschikt voor kinderen tot 22kg of 4 jaar, als dat zich eerder voordoet.

Montage wandelwagen

Lees alle aanwijzingen in deze handleiding voordat u het product monteert en gebruikt.

Open wandelwagen zie afbeeldingen 1 - 2

Maak de opbergrendel los van de opbergbeugel en til de hendel omhoog ①. Als u een klik hoort, ② betekent dit dat de wandelwagen volledig geopend is.

! Controleer of de wagen goed vergrendeld is voordat u het gebruikt.

Voorwiel monteren en demonteren zie afbeeldingen 3 - 4

Achterwiel monteren en demonteren zie afbeeldingen 5 - 6

Armsteun monteren en demonteren zie afbeeldingen 7 - 8

Kap monteren zie afbeeldingen 9 - 10

Bekerhouder montage & demontage zie afbeeldingen 11 - 12

De volledig gemonteerde wandelwagen wordt afgebeeld in ⑬.

Gebruik wandelwagen

Rugsteun instellen zie afbeeldingen 14 - 15

De rugsteun heeft 4 hoeken.

Rugsteun naar achteren brengen

Knijp om de rugleuning naar achteren te brengen de greep op de achterkant van de zitting in en trek de rugleuning omlaag. ⑭

De rugsteun omhoog brengen

Druk de rugsteun omhoog om het rechtop te zetten. ⑮

! Controleer of de helling goed is ingesteld.

Riem gebruiken zie afbeeldingen 16 - 17

Maak de gesp los

Druk op de knop in het midden om de riem los te maken. ⑯

Riem vastmaken

Verbind de gesp van de middelriem met de schouderriem ⑰ - 1 en klik deze in de middengesp. ⑰ - 2. Een klikkend geluid betekent dat de riem vergrendeld is. ⑰ - 3

! Om ernstig letsel te voorkomen door uit de stoel vallen of glijden, moet u uw kind altijd met de riemen vastzetten.

! Zorg ervoor dat uw kind goed vast zit. De ruimte tussen het kind en de schouderriemen moet ongeveer de dikte van een hand zijn.

! De schouderriemen NIET kruisen. Dat veroorzaakt druk op de nek van het kind.

Schouder- en middelriemen gebruiken zie afbeeldingen 18 - 21

! Om te voorkomen dat uw kind uit de stoel valt, moet u controleren of de schouder- en middelriemen op de juiste hoogte en lengte zitten.

⑱ - 1 Schouderriemanker A

⑱ - 2 Schouderriemanker B

⑱ - 3 Schuifinstelling

Gebruik voor een groter kind schouderriemanker A en de hoogste schouderleuven. Gebruik voor een kleiner kind schouderriemanker B en de laagste schouderleuven.

Om de positie van het schouderriemanker aan te passen, draait u het anker zodat het gelijk ligt met de kant die naar voren kijkt. Geleid het van achter naar voren door de sleuf voor de schouderriem. ⑲ Steek deze vervolgens opnieuw door de sleuf die het dichtst bij de schouderhoogte van het kind zit. ⑳

Gebruik de schuifregelaar om de lengte van de riemen in te stellen. ㉑ - 1

Druk op knop ㉑ - 2 terwijl u de middelriem op de juiste lengte trekt. ㉑ - 3

Kuitsteun aanpassen zie afbeeldingen 22

De kuitsteun heeft 2 standen.

Druk de kuitsteun omhoog om het hoger te plaatsen. Een klikkend geluid betekent dat de riem vergrendeld is.

Druk op de instelknoppen aan weerszijden van de kuitsteun ㉒ - 1 om de steun omlaag te brengen en draai de steun omlaag. ㉒ - 2

Blokkering voorwielen zie afbeeldingen 23

Druk de blokkering van de voorwielen omhoog om de bewegingsrichting te behouden. ㉓

Tip aanbevolen wordt om de draaiblokkering op ongelijke oppervlakken te gebruiken.

Remmen

zie afbeeldingen 24 - 25

Trap de remhendel omlaag om de wielen te blokkeren. 24

Licht de remhendel op om de wielen vrij te geven. 25

Tip zet de rem altijd vast als de wandelwagen moet stilstaan.

Kap gebruiken

zie afbeeldingen 26

U kunt de kap openen of opvouwen, trek het naar voren of naar achteren.

De kap kan volledig worden geopend om uw kind zoveel mogelijk tegen de zon te beschermen; rits de rits 26 los en trek de kap naar voren.

De kap bevat een raampje waardoor u uw baby kunt zien.

Handgreep instellen

zie afbeeldingen 27

Gebruik afdekking schouderriemen en afdekking kruisriemen

De afdekking van de schouderriemen of van de kruisriemen kan worden losgemaakt van de spanriemen. Ga in omgekeerde volgorde te werk om de afdekking van de schouderriem en de middelriem te monteren. 28

wandelwagen opvouwen

zie afbeeldingen 29 - 32

! Vouw de kap op voordat u de kinderwagen opvouwt.

1. Trek het opvouwbaar gaas omhoog waarna het frame automatisch naar achteren klapt. 30 - 1
2. De opberggrendel haakt automatisch vast aan de opbergbeugel en daarna is de wandelwagen volledig opgevouwen en vergrendeld. 31
3. Tijdens het invouwen kan de wandelwagen staan. 32

Accessoires gebruiken

Accessoires kunnen al dan niet apart leverbaar zijn, afhankelijk van de regio.

Gebruiken met babyzitje

zie afbeeldingen 33 - 39

Raadpleeg de volgende instructies bij het gebruik van het Joie-babyzitje gemm, i-Gemm 2, i-Snug & i-Level.

- ! Voordat u het babyzitje gebruikt, moet u ervoor zorgen dat de rugsteun is ingesteld op de laagste stand en dat het babyzitje is bevestigd.
- ! Als u problemen ondervindt bij het gebruik van het babyzitje, raadpleeg dan de betreffende handleidingen.
- ! Vouw de wandelwagen niet op als het babyzitje nog bevestigd is.

Gebruik met Joie reiswieg

zie afbeeldingen 40 - 41

Bij gebruik met de Joie ramble, ramble xl reiswieg, volg svp de volgende aanwijzingen.

- ! Bij problemen met het gebruik van de reiswieg, lees dan de gebruiksaanwijzing van de reiswieg.
- ! Gebruik de reiswieg altijd samen met de matras.
- ! Klap de wandelwagen niet in als u de reiswieg erop bevestigt.

Gebruik van de regenhoes

zie afbeeldingen 42

Voor het monteren van de regenhoes, plaats het over de kinderwagen en bevestig dan de 8 paar haken en montage ringen en 2 paar oogjes op regenhoes. 42

- ! Voordat u de regenhoes gebruikt, zorg ervoor dat de rugleuning werd aangepast in de laagste stand en het kinderzitje is vastgesteld
- ! Voordat u de regenhoes gebruik, controleer of de reiswieg wordt bevestigd.
- ! Bij gebruik van de regenhoes, controleer dan altijd de ventilatie.
- ! Wanneer niet in gebruik, moet u controleren of de regenhoes is schoongemaakt en gedroogd voordat u het inklapt.
- ! Inklap nooit de kinderwagen na het monteren van de regenhoes.
- ! Plaats uw kind nooit in de kinderwagen met de gemonteerde regenhoes bij warm weer.

Gebruik van voetzak

zie afbeeldingen 43 - 44

Reiniging en onderhoud

zie afbeeldingen 45

- ! Gebruik voor het schoonmaken van het frame alleen zeep en warm water. Geen bleekmiddel of schoonmaakmiddelen. Raadpleeg het verzorgingslabel voor instructies betreffende reiniging van de stoffen onderdelen van de wandelwagen.
- ! Afneembare bekleding kan worden gewassen in de machine. Gebruik geen bleekmiddel. De bekleding niet uitwringen om te drogen. Dit kan kreuken in de bekleding veroorzaken.
- ! Controleer de wandelwagen van tijd tot tijd op losse schroeven, slijtage, scheuren en beschadigde naden. Vervang of herstel de onderdelen als dat nodig is. Veeg de plastic onderdelen periodiek schoon met een zachte vochtige doek. Droog de metalen onderdelen om de vorming van roest te voorkomen als de wandelwagen in contact is geweest met water.
- ! Overmatige blootstelling aan zon of warmte kan vervagen of vervormen van onderdelen veroorzaken.
- ! Als de wandelwagen nat is geworden, moet u de kap openen en het laten drogen voordat u het opbergt.
- ! Als de wieltjes piepen, moet u dunne olie gebruiken (bijvoorbeeld siliconenspray, antiroest-olie of naaimachine-olie). De olie moet in de as en het wielstel komen. 45
- ! Als u de wandelwagen op het strand gebruikt, moet u het goed schoonmaken na het gebruik om alle zand en zout van het mechanisme en de wielen te verwijderen.

TR Joie™ 'ye Hoş Geldiniz

Joie ailesine katıldığınız için tebrikler! Çocuğunuzla olan yolculuğunuzda size katılmaktan büyük bir heyecan duyuyoruz. Joie Litetrax™ 4 dlx ile seyahat ederken, EN 1888-2:2018 Avrupa güvenlik standartlarıyla onaylanmış, yüksek kaliteli, tamamen sertifikalı bir bebek arabası kullanırsınız. Bu ürün, doğumdan 22kg'a veya 4 yaşına kadar olan çocuklar için uygundur (hangisi önce gelirse). Rahat bir sürüş ve çocuğunuz için en iyi korumayı sağlamak üzere lütfen bu kılavuzu dikkatlice okuyun ve her bir adımı izleyin.

ÖNEMLİ - Bu talimatları, ileride başvurmak üzere saklayın.

Kılavuzları indirmek ve daha heyecan verici Joie ürünlerine bakmak için bizi joiebaby.com adresinden ziyaret edin!

Garanti bilgisi için lütfen joiebaby.com adresindeki web sitemizi ziyaret edin

İçindekiler

Şekiller	1-9
UYARI	85
Bebek Arabası Montajı	87
Bebek Arabasını Açma	87
Ön Teker Monte Etme ve Çıkarma	87
Arka Teker Monte Etme ve Çıkarma	87
Kolçağı Monte Etme ve Çıkarma	87
Tenteyi Monte Etme	87
Bardak Tutucuyu Montaj & Sökme	87
Bebek Arabası Kullanımı	87
Arkalık Ayarı	87
Toka Kullanımı	88
Omuz ve Bel Kayışlarının Kullanımı	88
Baldır Desteği Ayarı	88
Ön Döndürme Kilidi Kullanımı	88
Fren Kullanımı	89
Tente Kullanımı	89
Kulp Ayarı	89
Omuz Kayışı Kılıfı ve Kasık Kayışı Kılıfı Kullanımı	89
Bebek Arabasını Katlama	89
Aksesuarların Kullanımı	89
Temizlik ve Bakım	90

Acil durum

Acil durum veya kaza hâlinde, çocuğunuza hemen ilk yardım ve tıbbi tedavi uygulanması çok önemlidir.

Ürün Bilgisi

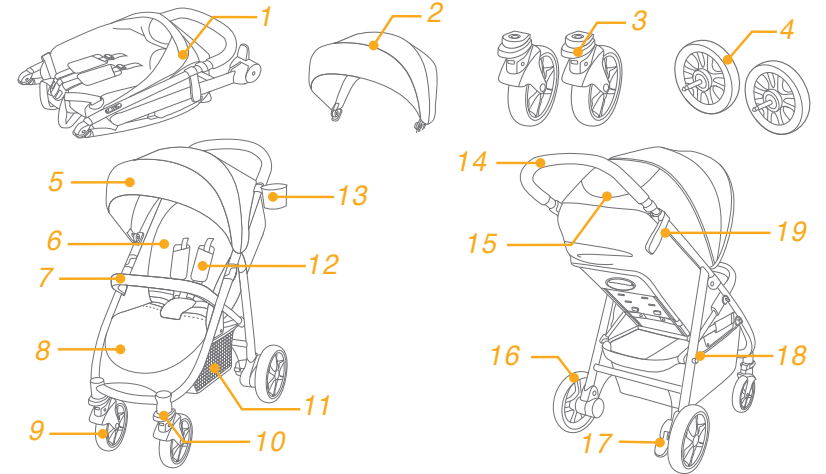
Bu ürünü kullanmadan önce bu kılavuzdaki tüm talimatları okuyun. Sorularınız varsa lütfen satıcıyla iletişime geçin. Bazı özellikler modele bağlı olarak değişebilir.

Ürün	Litetrax™ 4 dlx Bebek Arabası
Uygunluk:	Bu ürün, doğumdan 22kg'a veya 4 yaşına kadar olan çocuklar için uygundur (hangisi önce gelirse).
Malzemeler	Plastik, metal, kumaş
Patent No.	Patentler beklenmemektedir
Çin'de	üretimiştir
Marka	Joie
Web sitesi	www.joiebaby.com
Üretici	Allison GmbH

Parça Listesi

Montajdan önce tüm parçaların olduğundan emin olun. Eksik parça varsa lütfen yerel satıcınıza başvurun. Montaj için alet gerekli değildir.

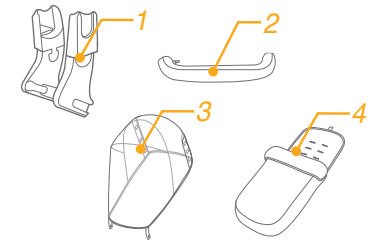
1 Bebek Arabası Çerçevesi	6 Koltuk Yastığı	12 Omuz Kayışı	18 Depolama Bağlantısı
2 Tente	7 Kolçak	13 Bardak Tutucu	19 Depolama Mandalı
3 Ön Teker	8 Baldır Desteği	14 Kulp	
4 Arka Teker	9 Ön Teker	15 Tente Penceresi	
5 Tente	10 Döndürme Kilidi	16 Arka Teker	
	11 Depolama Sepeti	17 Fren Kolu	



Aksesuarlar (dâhil olmayabilir)

- 1 Adaptör (bazı modellerde)
- 2 Kolçak Kılıfı (bazı modellerde)
- 3 yağmur kapak (bazı modellerde)
- 4 Ayak ortusu (bazı modellerde)

Aksesuarlar, bölgeye bağlı olarak ayrı satılabilir veya mevcut olmayabilir.



UYARI

- ! UYARI Kullanmadan önce tüm kilitleme mekanizmalarının bağlı olduğundan emin olun.
- ! UYARI Yaralanmayı önlemek için bu ürünü açarken ve katlarken çocuğunuzun uzakta olduğundan emin olun.
- ! UYARI Çocuğunuzun bu ürünler oynamasına izin vermeyin.
- ! UYARI Daima emniyet kemeri sistemini kullanın.
- ! UYARI Her kullanımdan önce port-bebe veya oturma ünitesi veya oto güvenlik koltuğu donatılarının doğru şekilde bağlı olduğunu kontrol edin.
- ! Montaj yetişkin tarafından yapılmalıdır.
- ! Bebek arabasını 22 kilonun altındaki çocukla kullanın. Sığmayan çocuk bebek arabasında hasara neden olur.
- ! Tehlikeli, dengesiz bir durumu önlemek için, depolama sepetine 4,5 kg ağırlıktan fazlasını koymayın.
- ! Bardak tutucuda önerilen en fazla ağırlık 0,5 kg'dır.
- ! Asla çocuğunuzu gözetimsiz bırakmayın. Bebek arabasındayken, çocuğu hep göz önünde tutun.
- ! Bebek arabasını aynı anda yalnızca bir çocukla kullanın. Kulpa veya tenteye asla cüzdan, alışveriş torbası, koli ya da aksesuar koymayın.
- ! Üretici tarafından onaylanmamış aksesuarlar kullanılmamalıdır. Yalnızca üretici tarafından sağlanan veya önerilen yedek parçalar kullanılmalıdır.
- ! Aşırı yüklemek, yanlış katlamak veya başka üreticilerin tamamlayıcı parçalarını kullanmak bebek arabasının hasar görmesine, kırılmasına ya da güvensiz duruma gelmesine neden olabilir. Lütfen talimat kılavuzunu dikkatlice okuyun.
- ! Ürünü kullanmadan önce lütfen kılavuzdaki tüm talimatları okuyun. İleride kullanmak için lütfen talimat kılavuzunu saklayın. Bu uyarılara ve talimatlara uymamak ciddi yaralanma ya da ölümlerine sonuçlanabilir.
- ! Düşme veya kayma nedeniyle ciddi yaralanmayı önlemek için mutlaka emniyet kemeri kullanın.
- ! Bebek arabasını ayarlarken, çocuğunuzun gövdesinin hareketli parçalardan uzak olduğundan emin olun.
- ! Çocuğun bebek arabasına yaklaşmasına izin vermeden önce bebek arabasının tamamen açıldığından veya katlandığından emin olun.
- ! Kayış kullanılmazsa, çocuk bacak açıklıklarına kayabilir ve boğulabilir.
- ! Bebek arabasını sabit ya da yürüyen merdivenlerde asla kullanmayın.
- ! Yüksek sıcaklıktaki nesnelere, sıvılardan ve elektronik aygıtlardan uzak tutun.
- ! Çocuğunuzun bebek arabasında ayağa kalkmasına veya kafasını arabanın önüne doğru uzatmış biçimde oturmasına asla izin vermeyin.
- ! Bebek arabasını yollara, eğimli yerlere veya tehlikeli alanlara asla bırakmayın.

- ! Boğulmayı önlemek için, çocuğunuzun boynunun etrafında ipli nesnelere BULUNDURMAYIN, üründen ipler ASMAYIN veya oyuncaklara ip BAĞLAMAYIN.
- ! Kulpa, arkalığın sırt kısmına veya bebek arabasının yan taraflarına takılan yükler, bebek arabasının dengesini etkileyecektir.
- ! Çocuk içinde otururken bebek arabasını yukarı kaldırmayın.
- ! Depolama sepetini çocuk taşıma aracı olarak kullanmayın.
- ! Devrilmeyi önlemek için, çocuğunuzun bebek arabasına tırmanmasına asla izin vermeyin. Her zaman çocuğu havaya kaldırarak bindirin ve indirin.
- ! Bebek arabasını katlarken ve açarken parmağınızı sıkıştırmamaya dikkat edin.
- ! Yaralanmayı önlemek için, bu ürünü açarken ve katlarken çocuğunuzun uzakta olduğundan emin olun.
- ! Çocuğunuzun güvenliğini sağlamak için, bebek arabasını kullanmadan önce lütfen tüm parçaların monte edildiğinden ve düzgün biçimde sabitlendiğinden emin olun.
- ! Boğulmayı önlemek için, çocuğunuzun tenteden uzak olduğundan emin olun.
- ! Bebek arabasını park ederken her zaman frenleri etkinleştirin.
- ! Hasar görürse veya kırılırsa bebek arabasını kullanmayı bırakın.
- ! Bebek arabası yalnızca yürüme hızında kullanılmalıdır. Bu ürün koşu yaparken kullanıma uygun değildir.
- ! Yanıkları önlemek için, bardak tutucuya asla sıcak sıvılar koymayın.
- ! Boğulmayı önlemek için, ürünü kullanmadan önce plastik torbayı ve ambalaj malzemelerini çıkarın. Çıkarılan plastik torba ve ambalaj malzemeleri bebeklerden ve çocuklardan uzak tutulmalıdır.
- ! Bu ürün koşu veya paten için uygun değildir.
- ! Doğumdan itibaren kullanılmak üzere tasarlanmış bebek arabasının, yeni doğan bebekler için en yatık konumda kullanılması önerilir.
- ! Çocuğunuzu yerleştirirken ve kaldırırken park etme mekanizması etkinleştirilmelidir.
- ! Bir şasiyle birlikte kullanılan çocuk koltukları için, bu araç karyola veya yatak yerine geçmez. Çocuğunuzun uyması gerektiğinde, uygun bir taşınabilir bebek yatağına, karyolaya veya yatağa yatırılmalıdır.
- ! Kendisi ayakta duran, yanda kendine civiren ve dizlerin üstünde yuruyen bir çocuk için portatif besliik kulanmayın.Cocuguk maksimum ağırlık 9 Kg olması gerekiyor.”
- ! Portbebe ile verilen yataktan başka yatak kullanmayınız ve yatak eklemeyiniz.
- ! Bu ürün, doğumdan 22kg'a veya 4 yaşına kadar olan çocuklar için uygundur (hangisi önce gelirse).

Bebek Arabası Montajı

Lütfen bu ürünü monte etmeden ya da kullanmadan önce bu kılavuzdaki tüm talimatları okuyun.

Bebek Arabasını Açma

bkz. görüntü 1 - 2

Depolama mandalını depolama bağlantısından ayırın 1 ve kulpu yukarı doğru kaldırın 2; tıklama sesi bebek arabasının tamamen açıldığı anlamına gelir.

! Kullanmaya devam etmeden önce, bebek arabasının mandalla tamamen kilitletiğini kontrol edin.

Ön Teker Monte Etme ve Çıkarma

bkz. görüntü 3 - 4

Arka Teker Monte Etme ve Çıkarma

bkz. görüntü 5 - 6

Kolçağı Monte Etme ve Çıkarma

bkz. görüntü 7 - 8

Tenteyi Monte Etme

bkz. görüntü 9 - 10

Bardak Tutucuyu Montaj & Sökme

bkz. görüntü 11 - 12

Tamamen monte edilen bebek arabası 13 ile gösterilmektedir.

Bebek Arabası Kullanımı

Arkalık Ayarı

bkz. görüntü 14 - 15

Arkalık için 4 tane yatırma açısı vardır.

Arkalığı Yatırma

Arkalığı yatırmak için, koltuğun arkasındaki yatırma kulpunu sıkıp arkalığı aşağı çekin. 14

Arkalığı Yükseltme

Arkalığı yükseltmek için yukarı itin. 15

! Yatırma açısının kullanıma uygun ayarlandığından emin olun.

Toka Kullanımı

bkz. görüntü 16 - 17

Tokayı Serbest Bırakın

Tokayı serbest bırakmak için orta düğmeye basın. 16

Tokayı Kilitleme

Bel kemeri tokasını omuz tokasıyla eşleştirip 17 - 1 orta tokaya kilitleyin. 17 - 2 "Tıklama" sesi, tokanın tamamen kilitletiğini anlamına gelir. 17 - 3

! Düşme veya kayma sonucu oluşacak ciddi yaralanmaları önlemek için, çocuğunuzu her zaman kayışla sabitleyin.

! Çocuğunuzun güvenli biçimde sabitlendiğinden emin olun. Çocuk ve omuz kayışı arasındaki mesafe yaklaşık bir el kalınlığında olmalıdır.

! Omuz kemerlerini çaprazlamayın. Bu, çocuğun boynuna basınç uygular.

Omuz ve Bel Kayışlarının Kullanımı

bkz. görüntü 18 - 21

! Çocuğunuzun düşmesini önlemek için, çocuğunuz koltuğa yerleştirildikten sonra omuz ve bel kayışlarının doğru yükseklikte ve uzunlukta olup olmadığını kontrol edin.

18 - 1 Omuz kayışı tutturma noktası A

18 - 2 Omuz kayışı tutturma noktası B

18 - 3 Kayar ayarlayıcı

Daha büyük çocuk için, omuz kayışı tutturma noktası A ve en yüksek omuz deliklerini kullanın. Daha küçük çocuk için, omuz kayışı tutturma noktası B ve en düşük omuz deliklerini kullanın.

Omuz kayışı tutturma noktasının konumunu ayarlamak için, tutturma noktasını öne bakan tarafla aynı düzeyde olacak şekilde döndürün. Omuz kayışı deliği içinden arkadan öne doğru geçirin. 19 Çocuğunuzun omuz yüksekliğine en yakın olan delikten tekrar geçirin. 20

Kayış uzunluğunu değiştirmek için kayar ayarlayıcıyı kullanın. 21 - 1

Bel kayışını doğru uzunlukta tutarken düğmeye basın. 21 - 2 21 - 3

Baldır Desteği Ayarı

bkz. görüntü 22

Baldır desteği 2 konuma sahiptir.

Baldır desteğini yükseltmek için yukarı doğru itin. "Tıklama" sesi, baldır desteğinin tamamen kilitletiğini anlamına gelir.

Baldır desteğini alçaltmak için, baldır desteğinin her iki tarafındaki ayar düğmelerine basın 22 - 1 ve baldır desteğini aşağı doğru döndürün. 22 - 2

Ön Döndürme Kilidi Kullanımı

bkz. görüntü 23

Hareket yönünü korumak için ön döndürme kilitlerini yukarı itin. 23

İpucu

Döndürme kilitlerinin düz olmayan yüzeylerde kullanılması önerilir.

Fren Kullanımı

bkz. görüntü 24 - 25

Tekerleri kilitlemek için fren koluna ayağınızla basın. 24

Tekerleri serbest bırakmak için fren kolunu yukarı doğru kaldırmamız yeterlidir. 25

İpucu Bebek arabası kullanılmıyorken her zaman park frenine alın.

Tente Kullanımı

bkz. görüntü 26

Tente açılabilir veya katlanabilir; öne ya da arkaya doğru çekin.

Tente, çocuğunuzu güneşten en iyi şekilde korumak için tamamen açılabilir; fermuarı açık 26 , tenteyi öne doğru çekmeniz yeterlidir.

Tentede, bebeğinizi görebilmenizi sağlayan bir pencere vardır.

Kulp Ayarı

bkz. görüntü 27

Omuz Kayışı Kılıfı ve Kasık Kayışı Kılıfı Kullanımı

Omuz kayışı kılıfı ya da kasık kayışı kılıfı şeritten çıkarılabilir. Omuz kayışı kılıfını ve kasık kayışı kılıfını takmak için adımları ters yönde izleyin. 28

Bebek Arabasını Katlama

bkz. görüntü 29 - 32

! Lütfen bebek arabasından önce tenteyi katlayın.

1. Katlama şeridini yukarı doğru çektiğinizde, çerçeve otomatik olarak geriye doğru katlanacaktır. 30 - 1
2. Depolama mandalı otomatik olarak depolama bağlantısına geçecek, ardından bebek arabası tamamen katlanıp kilitlenecektir. 31
3. Bebek arabası, katlanmış durumdayken dik olarak durabilir. 32

Aksesuarların Kullanımı

Aksesuarlar, bölgeye bağlı olarak ayrı satılabilir veya mevcut olmayabilir.

Çocuk Koltuğuyla Kullanım

bkz. görüntü 33 - 39

Joie gemm, i-Gemm 2, i-Snug & i-Level çocuk koltuğuyla kullanırken lütfen aşağıdaki talimatlara başvurun.

! Çocuk koltuğunu kullanmadan önce, lütfen arkalığın en alçak konuma ayarlandığından ve çocuk koltuğunun sabitlendiğinden emin olun.

! Çocuk koltuğunu kullanma konusunda herhangi bir sorun yaşarsanız, lütfen ilgili talimat kılavuzlarına başvurun.

! Bebek arabasını, çocuk koltuğu takılı durumdayken katlamayın.

Joie Portatif Karyolayla Kullanım

bkz. görüntü 40 - 41

Joie ramble, ramble xl portatif karyolayla kullanırken lütfen aşağıdaki talimatlara başvurun.

! Portatif karyolayı kullanma konusunda herhangi bir sorun yaşarsanız, lütfen ilgili talimat kılavuzlarına başvurun.

! Portatif karyolayı kullanırken mutlaka şilteden yararlanın.

! Portatif karyolayı takarken lütfen bebek arabasını katlamayın.

Yagmur ortusu kullanimi

bkz. görüntü 42

Yagmur ortusu montaji etmesi icin , ilk once bebek arabasina ustunde yerlestirin ve sonradan olan cif 8 adet zimbalar yapistirin. 42

! Yagmur ortusu kullanmadan once , en dusuk pozisyona olan arkalinin ayarlandigina ve cocugu sandaliesi sabitlestigine emin olun.

! Yagmur ortusu kullandigin zaman havalandirmasini kontrol edin.

! Kesimi ve yirtmasin onlemek icin yagmur ortusu bebek arabasin ustunde cikartin.

! Yagmur ortusu montaj edildikten sonra bebek arabasini katlanmayin.

! Sicak mevsinden montaj edildigin yagmur ortusunu cocugunuz bebek arabasi icinde koymayin.

Ayak ortusu kullanimi

bkz. görüntü 43 - 44

Temizlik ve Bakım

bkz. görüntü 45

! Bebek arabası çerçevesini temizlemek için yalnızca ev sabunu ve ılık su kullanın. Çamaşır suyu ya da deterjan kullanmayın. Bebek arabasının kumaş parçalarının temizliği konusunda yönergeler için lütfen bakım etiketine başvurun.

! Çıkarılabilir yumuşak ürünler makinede yıkanabilir. Çamaşır suyu kullanmayınız. Koltuk kılıfını ve iç dolguyu kurutmak için aşırı kuvvetli sıkmayın. Sıkmak koltuk kılıfını ve iç dolguyu buruşuk bırakabilir.

! Gevşeyen vidalar, eskimiş parçalar, yırtık malzeme ya da sökülmüş dikiş olup olmadığını belirlemek için bebek arabanızı ara sıra kontrol edin. Gerek duyduğunuzda ilgili parçaları değiştirin ya da onarın. Plastik parçaları düzenli olarak yumuşak, nemli bir bezle silerek temizleyin. Bebek arabası suyla temas ederse, pas oluşumunu önlemek için metal parçaları mutlaka kurulayın.

! Güneşe ya da ısıya uzun süre maruz kalması durumunda parçaların rengi solabilir ya da biçimsel bozulmalar görülebilir.

! Bebek arabası ıslanırsa, tenteyi açın ve depolamadan önce iyice kurumasını sağlayın.

! Tekerler gıcırdarsa, hafif bir yağ (örneğin Silikon Sprey, paslanma önleyici yağ ya da dikiş makinesi yağı) kullanın. Yağı aksa ve teker donanımına uygulamak önemlidir. 45

! Bebek arabanızı plajda veya başka kumlu/tozlu ortamlarda kullanırken, mekanizmalar ve teker donanımlarındaki kumu ve tuzu gidermek için, bebek arabanızı kullanım sonrasında tamamen temizleyin.

Поздравляем вас с тем, что вы стали частью семьи Joie! Мы рады отправиться в путь вместе с вами и вашим малышом. Путешествуя с коляской Joie Litetrax™ 4 dlx, вы используете высококачественную комбинированную коляску с трансформируемым кузовом, сертифицированную по европейскому стандарту безопасности EN 1888-2:2018. Данное изделие предназначено для детей весом до 22 кг или возрастом до 4 лет (в зависимости от того, что наступит раньше). Внимательно прочтите настоящее руководство и следуйте всем рекомендациям, чтобы обеспечить удобство в поездке и максимальную защиту для ребенка.

ВАЖНО! Сохраните настоящее руководство для использования в будущем.

Скачать руководства и ознакомиться с другой замечательной продукцией Joie можно на веб-сайте joiebaby.com.

Для получения информации по гарантии, пожалуйста, посетите наш сайт joiebaby.com
 Срок службы изделия - 3 года Гарантийный срок - 1 год.
 По вопросам гарантийного обслуживания в РФ и РБ Беларусь - help@infanta-co.ru.
 Обеспечено хранение в сухом и проветриваемом помещении.

Содержание

Рисунки	1-9
ВНИМАНИЕ	93
Сборка коляски	95
Раскладывание коляски	95
Сборка и установка передних колес	95
Сборка и установка задних колес	95
Сборка и установка поручня	95
Сборка козырька	95
Монтаж и демонтаж подстаканника	95
Использование коляски	95
Регулировка положения спинки	95
Использование пряжки	96
Использование плечевых и поясных ремней	96
Регулировка положения опоры для ног	96
Использование фиксатора передних колес	96
Использование тормоза	97
Использование козырька	97
Регулировка положения ручки	97
Использование накладок для плечевых ремней и пахового ремня	97
Складывание коляски	97
Использование принадлежностей	97
Чистка и уход	98

Непредвиденные ситуации

В случае возникновения чрезвычайного происшествия или аварийной ситуации следует незамедлительно оказать ребенку первую помощь и обратиться к врачу.

Информация об изделии

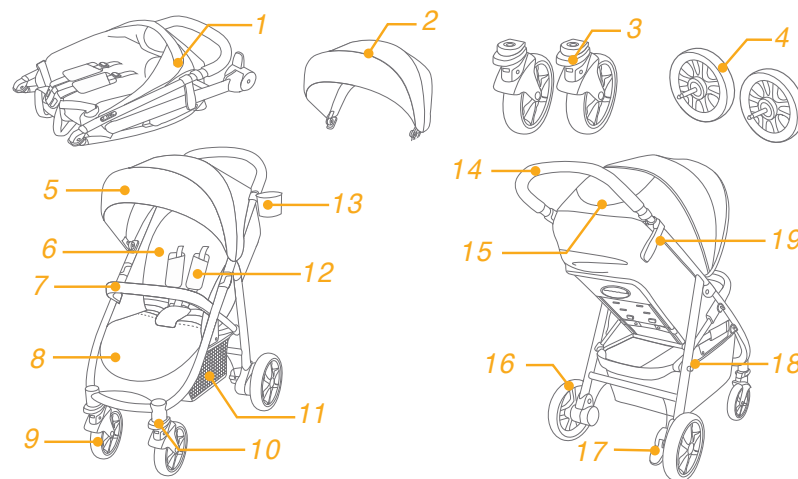
Перед использованием данного изделия прочтите все инструкции в настоящем руководстве. С вопросами обращайтесь в магазин, где было приобретено изделие. Некоторые элементы могут отличаться у различных моделей.

Изделие:	Litetrax™ 4	Изготовитель	1. China Bambino Prezioso Co., Ltd
Дизайн	dlx		2. China Wonderland Nurserygoods Co.,LTD
Подходит для детей:	весом до 22 кг или возрастом до 4 лет (в зависимости от того, что наступит раньше).		* см. Изготовителя на этикетке Изделия
Материалы:	пластик, металл, ткань		** на коробке возможна маркировка
Номер патента:	патенты оформляются		Allison GmbH (европейское подразделение
Страна производства:	КНР		компании)
Марка:	Joie		
Веб-сайт:	www.joiebaby.com		

Список деталей

Перед сборкой коляски проверьте наличие всех деталей. В случае отсутствия любых деталей обратитесь в магазин, где была приобретена коляска. Для сборки не требуются инструменты.

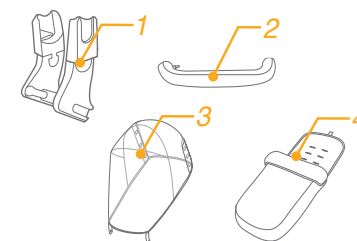
- | | | | |
|-------------------|----------------------------|--------------------|--------------------------|
| 1 Рама коляски | сиденья | 11 Вещевая корзина | 17 Педаль тормоза |
| 2 Козырек | 7 Поручень | 12 Плечевые ремни | 18 Защелка для хранения |
| 3 Передние колеса | 8 Опора для ног | 13 Подстаканник | 19 Фиксатор для хранения |
| 4 Задние колеса | 9 Передние колеса | 14 Ручка | |
| 5 Козырек | 10 Фиксатор передних колес | 15 Окно в козырьке | |
| 6 Подкладка | | 16 Задние колеса | |



Принадлежности

(могут не входить в комплект поставки)

- 1 Адаптер (у некоторых моделей)
- 2 Чехол поручня (у некоторых моделей)
- 3 Дождевик (у некоторых моделей)
- 4 Чехол на ноги (у некоторых моделей)



Принадлежности могут продаваться отдельно или не предлагаться в некоторых регионах.

ПРЕДУПРЕЖДЕНИЯ

- ! **ВНИМАНИЕ!** Всегда используйте систему фиксации. Необходимо надлежащим образом использовать ремни безопасности и систему фиксации.
- ! **ВНИМАНИЕ!** Прежде чем использовать коляску, убедитесь, что задействованы все фиксаторы.
- ! **ВНИМАНИЕ!** Не позволяйте ребенку играть с данным изделием.
- ! **ВНИМАНИЕ!** Перед использованием коляски убедитесь, что все крепежные устройства системы фиксации новорожденного ребенка задействованы надлежащим образом.
- ! Сборку должны осуществлять взрослые.
- ! В коляске допускается перевозить детей весом не более 22 кг. Перевозка в коляске детей большего веса может привести к ее повреждению.
- ! Во избежание опасности опрокидывания коляски не помещайте в вещевую корзину предметы весом более 4,5 кг.
- ! Подстаканник рассчитан на максимальный вес 0,5 кг (1 фунт).
- ! Категорически запрещается оставлять ребенка без присмотра. Ребенок, находящийся в коляске, должен быть всегда под присмотром.
- ! В коляске допускается перевозить только одного ребенка. Запрещается помещать на ручку и козырек кошельки, сумки, свертки и принадлежности.
- ! Не разрешается использовать принадлежности, не одобренные производителем коляски. Допускается использование только запасных частей, поставляемых или рекомендованных производителем коляски.
- ! Превышение допустимой нагрузки, неправильное складывание и использование деталей других производителей может привести к повреждению, поломке и снижению безопасности коляски. Пожалуйста, внимательно прочтите настоящее руководство по эксплуатации.
- ! Перед использованием данного изделия прочтите все инструкции в настоящем руководстве. Сохраните настоящее руководство по эксплуатации для использования в будущем. Несоблюдение этих предупреждений и инструкций может привести к причинению серьезного вреда здоровью или летальному исходу.
- ! Во избежание причинения серьезного вреда здоровью ребенка в результате падения или выскальзывания из коляски обязательно используйте ремни безопасности.
- ! Во время регулировки коляски тело ребенка не должно соприкасаться с какими бы то ни было подвижными деталями.
- ! Прежде чем подпускать ребенка к коляске, обязательно полностью разложите или сложите ее.
- ! Если ребенок не пристегнут ремнем, он может выскользнуть через нижнюю часть коляски, что может привести к удушью.
- ! Категорически запрещается использовать коляску на лестницах и эскалаторах.
- ! Коляску необходимо держать вдали от горячих предметов, жидкостей и электронных приборов.
- ! Никогда не разрешайте ребенку стоять на коляске, а также сидеть в

коляске лицом к передней части.

- ! Категорически запрещается помещать коляску на проезжую часть, уклоны и в другие опасные места.
- ! Во избежание удушья ЗАПРЕЩАЕТСЯ завязывать какие-либо предметы на шею ребенка, свешивать ленты и веревки с коляски, а также прикреплять веревки и ленты к игрушкам.
- ! Прикрепление любого груза к ручке к спинке или боковым частям коляски приведет к нарушению устойчивости коляски.
- ! ЗАПРЕЩАЕТСЯ поднимать коляску с находящимся в ней ребенком.
- ! ЗАПРЕЩАЕТСЯ помещать ребенка в вещевую корзину.
- ! Во избежание опрокидывания не позволяйте ребенку карабкаться по коляске. Усаживать и вынимать ребенка из коляски должен взрослый.
- ! Во избежание зажатия соблюдайте осторожность при складывании и раскладывании коляски.
- ! Во избежание причинения вреда здоровью ребенка не складывайте и не раскладывайте коляску вблизи ребенка.
- ! С целью обеспечения безопасности ребенка перед использованием коляски необходимо убедиться, что все детали собраны и закреплены надлежащим образом.
- ! Во избежание удушья удостоверьтесь, что козырек не касается ребенка.
- ! Остановив коляску, обязательно задействуйте тормоза.
- ! В случае повреждения или поломки коляски прекратите ее дальнейшее использование.
- ! Коляску допускается катить только со скоростью пешей ходьбы. Коляска не предназначена для использования во время бега.
- ! Во избежание ожогов не помещайте в подстаканник горячие жидкости.
- ! Во избежание удушья снимите с коляски пластиковую упаковку и другие упаковочные материалы перед использованием коляски. Храните пластиковые упаковочные материалы в местах, недоступных для маленьких детей.
- ! Данное изделие не предназначено для использования во время бега или катания на роликах.
- ! Для новорожденных спинку коляски рекомендуется опустить в самое низкое положение.
- ! Перед тем как помещать ребенка в коляску или извлекать его из коляски, необходимо задействовать тормоза.
- ! Удерживающая система для новорожденных в данной коляске не заменяет люльку или кроватку для новорожденных. Чтобы уложить ребенка спать, его необходимо перенести в подходящую лежащую коляску, люльку или кровать.
- ! Данная люлька-переноска предназначена только для детей, которые не могут сидеть самостоятельно, перекачиваться и подниматься на руках и коленях. Максимальный вес ребенка: 9 кг.
- ! НЕДОПУСТИМО использовать или добавлять какой-либо матрас, кроме матраса, входящего в комплект поставки данной люльки-переноски.
- ! Данное изделие предназначено для детей весом до 22 кг или возрастом до 4 лет (в зависимости от того, что наступит раньше).

Сборка коляски

Перед сборкой и использованием коляски прочтите все инструкции в настоящем руководстве.

Раскладывание коляски

См. рисунки 1 - 2

Отсоедините фиксатор для хранения от защелки для хранения 1, затем поднимите ручку вверх 2. При полном раскладывании коляски должен прозвучать щелчок.

! Перед использованием удостоверьтесь, что коляска полностью зафиксирована в разложенном состоянии.

Сборка и установка передних колес

См. рисунки 3 - 4

Сборка и установка задних колес

См. рисунки 5 - 6

Сборка и установка поручня

См. рисунки 7 - 8

Сборка козырька

См. рисунки 9 - 10

Монтаж и демонтаж подстаканника

См. рисунки 11 - 12

Полностью собранная коляска показана на рисунке 13.

Использование коляски

Регулировка положения спинки

См. рисунки 14 - 15

Спинку можно установить под 4 углами наклона.

Опускание спинки

Чтобы откинуть спинку, сожмите ручку регулировки наклона на задней стороне спинки и потяните спинку вниз. 14

Поднятие спинки

Чтобы поднять спинку, переместите ее вверх. 15

! Установите подходящий для использования наклон спинки.

Использование пряжки

См. рисунки 16 - 17

Расстегивание пряжки.

Нажмите на центральную кнопку, чтобы расстегнуть пряжку. 16

Застегивание пряжки

Совместите пряжку на поясном ремне с пряжкой на плечевом ремне 17 - 1 и защелкните их в центральной пряжке. 17 - 2 Когда пряжка застегнется должным образом, прозвучит щелчок. 17 - 3

! Во избежание причинения серьезного вреда здоровью ребенка в результате падения или выскальзывания из коляски обязательно пристегивайте ребенка ремнем.

! Удостоверьтесь, что ремни плотно прилегают к телу ребенка. Расстояние между ребенком и плечевыми ремнями не должно превышать толщину ладони.

! Не перекрещивайте плечевые ремни. Это приведет к сдавливанию шеи ребенка.

Использование плечевых и поясных ремней

См. рисунки 18 - 21

! Во избежание выпадения ребенка из коляски, усадив его в коляску, удостоверьтесь, что плечевые и поясные ремни установлены на правильную высоту и имеют подходящую длину.

18 - 1 Фиксатор плечевого ремня А

18 - 2 Фиксатор плечевого ремня В

18 - 3 Регулятор длины ремня

Для ребенка большого роста используйте фиксаторы плечевых ремней А и верхние прорези для ремней. Для ребенка небольшого роста используйте фиксаторы плечевых ремней В и нижние прорези для ремней.

Для регулировки положения фиксатора плечевого ремня разверните его плашмя и торцом вперед. Проденьте фиксатор через прорезь для плечевого ремня сзади вперед. 19 Снова проденьте его через прорезь, расположенную ближе всего к плечам ребенка. 20

С помощью регулятора длины отрегулируйте длину ремня. 21 - 1

Нажмите на кнопку 21 - 2 и одновременно вытяните поясной ремень на требуемую длину. 21 - 3

Регулировка положения опоры для ног

См. рисунки 22

Опору для ног можно установить в 2 положения.

Чтобы поднять опору для ног, потяните ее вверх. Когда опора зафиксируется должным образом, прозвучит щелчок.

Чтобы опустить опору для ног, нажмите на регулировочные кнопки 22 - 1 по обоим ее бокам и опустите опору для ног вниз. 22 - 2

Использование фиксатора передних колес

См. рисунки 23

Переместите фиксаторы вращения передних колес вверх, чтобы заблокировать их в направлении движения. 23

Совет фиксаторы вращения передних колес рекомендуется использовать на неровных поверхностях.

Использование тормоза

См. рисунки 24 - 25

Чтобы заблокировать колеса, опустите ногой педаль тормоза вниз. 24

Чтобы разблокировать колеса, поднимите педаль тормоза вверх. 25

Совет

всегда задействуйте тормоз, если не перемещаете коляску.

Использование козырька

См. рисунки 26

Козырек можно разложить, сложить, переместить вперед и переместить назад.

Козырек можно разложить полностью, чтобы максимально защитить ребенка от солнца. Для этого расстегните молнию 26 и потяните козырек вперед.

На козырьке предусмотрено окно, через которое можно наблюдать за ребенком.

Регулировка положения ручки

См. рисунки 27

Использование накладок для плечевых ремней и пахового ремня

Накладки наплечных и поясных ремней можно снять. Чтобы надеть накладки на плечевые и поясные ремни выполните действия в обратном порядке. 28

Складывание коляски

См. рисунки 29 - 32

! Перед складыванием коляски необходимо сложить козырек.

1. Потяните вверх ручку для складывания, рама коляски автоматически сложится назад. 30 - 1
2. Фиксатор для хранения автоматически застегнется на защелке для хранения. После этого коляска будет полностью сложена и зафиксирована. 31
3. В сложенном состоянии коляска может стоять вертикально. 32

Использование принадлежностей

Принадлежности могут продаваться отдельно или не предлагаться в некоторых регионах.

Использование коляски с системой фиксации для новорожденных

См. рисунки 33 - 39

При использовании коляски с системой фиксации Joie для новорожденных следуйте приведенным ниже инструкциям.

- ! Перед использованием системы фиксации для новорожденных установите спинку в самое низкое положение и закрепите систему фиксации для новорожденных.
- ! В случае возникновения любых проблем при использовании системы фиксации для новорожденных, ознакомьтесь с руководством по эксплуатации этой системы.
- ! Не складывайте коляску с установленной системой фиксации для новорожденных.

Использование с люлькой-переноской Joie

См. рисунки 40 - 41

При использовании с люлькой-переноской Joie rambler, rambler xl соблюдайте следующие инструкции.

- ! В случае возникновения любых проблем при использовании люльки-переноски ознакомьтесь с руководством по эксплуатации люльки.
- ! При использовании люльки-переноски всегда используйте матрас.
- ! Не складывайте коляску с установленной люлькой-переноской.

Дождевик

См. рисунки 42

Чтобы закрепить дождевик, натяните его на коляску и закрепите 8 липучек на коляске. 42

- ! Перед использованием дождевика, пожалуйста, убедитесь, что спинка была установлена в самое низкое положение и переноска закреплена.
- ! Пожалуйста, проверяйте вентиляцию при использовании дождевика.
- ! Перед тем как сложить дождевик, убедитесь что он чистый и сухой.
- ! Не складывайте коляску с дождевиком на ней.
- ! Не сажайте вашего ребенка в коляску с дождевиком в жаркую погоду.

Чехол на ноги

посмотрите рисунок 43 - 44

Чистка и уход

См. рисунки 45

- ! Для чистки рамы коляски используйте только бытовое мыло и теплую воду. Не допускается использование отбеливателей и моющих средств. Пожалуйста, обратитесь внимание на этикетку, содержащую инструкции по чистке тканевых частей коляски.
- ! Съёмную тканевую обивку допускается стирать в стиральной машине. Не отбеливать! Не скручивайте чехол и внутреннюю обивку сиденья при сушке. От этого на чехле и внутренней обивке сиденья могут появиться складки.
- ! Время от времени проверяйте коляску на предмет наличия ослабленных винтовых соединений, изношенных деталей, разрыва ткани и швов. Производите замену или ремонт деталей по необходимости. Время от времени протирайте пластиковые части мягкой мокрой тканью. Если коляска мокрая, всегда протирайте насухо металлические части, чтобы предотвратить коррозию, если коляска мокрая.
- ! Чрезмерное воздействие солнечного света может повлечь выцветание и деформацию деталей изделия.
- ! Если коляска намочена, разложите козырек и дайте коляске полностью высохнуть, прежде чем помещать ее на хранение.
- ! Если колеса скрипят, слегка смажьте их (например, силиконовым спреем, маслом от ржавчины или маслом для швейных машин). Необходимо нанести масло на ось и во втулку колеса. 45
- ! После использования коляски на пляже или в других местах, где имеется песок или пыль, полностью очистите коляску, чтобы удалить песок и соль с механизмов и колес.

AR مرحباً بك في عالم Joie™

تهانينا لانضمامك إلى عائلة Joie! إننا في غاية السعادة لاشتراكنا في رحلتك مع طفلك الصغير. أثناء القيادة بضمن نظام Litetrax™ 4 dlx من Joie من أقصى درجات السلامة لعربة أطفال عالية الجودة وأمنة بالكامل، كما أنه مطابق لمعايير السلامة الأوروبية رقم EN 1888-2:2018، ويرجى العلم بأنه من الممكن استخدام المنتج مع الأطفال الذين يقل وزنهم عن 22 كجم. يُرجى قراءة التعليمات الواردة في هذا الدليل بعناية واتباع كل خطوة فيه لضمان قيادة مريحة وتوفير أفضل حماية لطفلك.

هام - يرجى الاحتفاظ بهذه التعليمات للرجوع إليها مستقبلاً.

زوروا موقعنا الإلكتروني joiebaby.com لتحميل أدلة الاستخدام ومشاهدة منتجات Joie المشوقة!

لمعلومات عن الضمان، يُرجى زيارة موقع الويب الخاص بنا على joiebaby.com

المحتويات

للعشال

تحذير

تركيب عربة الأطفال

فتح العربة

تركيب وفك العجلات الأمامية

تركيب وفك العجلات الخلفية

تركيب وفك غطاء الذراع

تركيب المظلة

جمع و تفكيك حامل الأكواب

تشغيل العربة

ضبط مسند الظهر

استخدام إبزيم الحزام

استخدام أحزمة الكتف والخصر

ضبط مسند الساق

استخدام القفل الدوار الأمامي

استخدام المكابح

استخدام المظلة

ضبط المقبض

استخدام غطاء حزام الكتف وغطاء الحزام المفروق للسائقين

طّي العربة

استخدام الملحقات

التنظيف والصيانة

الطوارئ

في حالات الطوارئ أو الحوادث، يُرجى العناية بالطفل بإجراء الإسعافات الأولية وتقديم العلاج الطبي فوراً.

معلومات المنتج

اقرأ كل التعليمات الواردة في هذا الدليل قبل استخدام هذا المنتج. فإن كان لديك أية استفسارات يُرجى الرجوع إلى الموزع للاستشارة. قد تختلف بعض مزايا المنتج وفقاً للطرز.

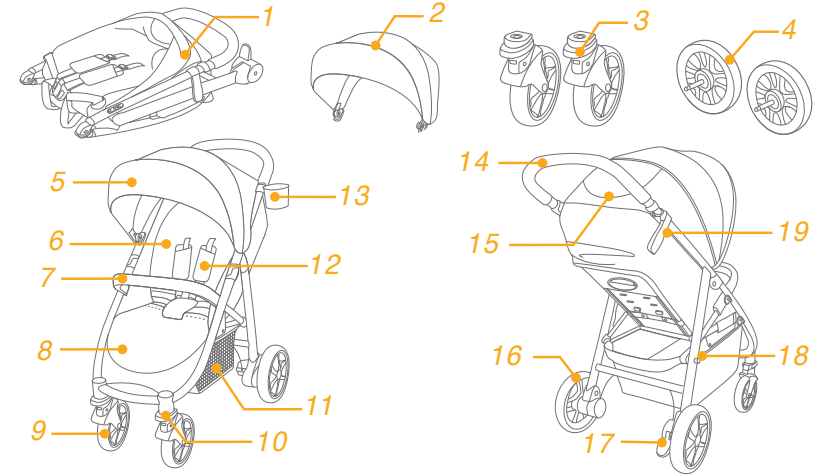
عربة الأطفال Litetrax™ 4 dlx
هذا المنتج مناسب للاستخدام مع أطفال حتى 22 كجم أو 4 سنوات، أيهما يأتي أولاً.
البلاستيك، المعادن، الأقمشة
براءة الاختراع رقم:
صُنعت في
Joie
www.joiebaby.com
Allison GmbH

المنتج
مناسبة للاستخدام مع
الخامات
براءة الاختراع رقم:
صُنعت في
اسم العلامة التجارية
الموقع الإلكتروني
الجهة المصنعة

قائمة الأجزاء

يرجى التأكد من توفر كل الأجزاء قبل التركيب. في حالة فقدان أحد مكونات العربة، يُرجى الاتصال بالموزع المحلي. لا داع لاستخدام أية أدوات لتر كيب المقعد.

1 إطار العربة	7 ذراع	13 حامل الأكواب
2 مظلة	8 دعامة القدمين	14 المقبض
3 عجلة أمامية	9 عجلة أمامية	15 نافذة المظلة
4 عجلة خلفية	10 قفل دوار	16 عجلة خلفية
5 مظلة	11 سلة التخزين	17 ذراع المكبح
6 وسادة المقعد	12 حزام الكتف	18 فتحة التخزين
		19 مزلاج التخزين



الملحقات

(قد لا تكون مرفقة)

1 المهابى (متوفر في بعض الموديلات)
2 غطاء الذراع (مخصص لطرزات معينة)
3 غطاء المطر (مخصص لطرزات معينة)
4 كيس تدفئة القدمين (مخصص لطرزات معينة)

قد تباع الملحقات بمفردها أو قد تكون غير متاحة حسب المنطقة.

تحذير

- ! تحذير: احرص دائماً على استخدام نظام تقييد حركة الطفل. يجب استخدام أحزمة الأمان ونظام تقييد الحركة استخداماً صحيحاً.
- ! "تحذير" تأكد من تأمين الأقفال كافة قبل الاستخدام.
- ! "تحذير" لا تدع الأطفال يعيثون بهذا المنتج.
- ! تحذير: تحقق من تعشيق أجهزة تثبيت نظام تقييد حركة الطفل بشكل صحيح قبل الاستخدام.
- ! يجب قيام شخص بالغ بتركيب الكرسي.
- ! استخدم عربة الأطفال هذه مع الأطفال الذين يقل وزنهم عن 22 كجم. حيث إن استخدام العربة لحمل طفل زائد الوزن سيؤدي إلى تلفها.
- ! لتفادي الحالات الخطرة أو غير المستقرة، لا تضع عناصر يزيد وزنها على 4.5 كجم في سلة التخزين.
- ! الحد الأقصى للوزن الموصى به في حامل الأكواب هو رطل واحد (0.5 كجم).
- ! يحظر بنائاً ترك طفلك دون مراقبة. لذا احرص دائماً على مراقبة الطفل عند وضعه في العربة.
- ! استخدم العربة لحمل طفل واحد فقط في كل مرة. ويحظر وضع حقائب اليد أو حقائب التسوق أو الطرود أو الإكسسوارات على المقبض أو الغطاء.
- ! يمنع استخدام الملحقات غير المعتمدة من الجهة المصنعة. يمكن استخدام فقط قطع الغيار المعتمدة أو الموصى بها من قبل المصنّع.
- ! قد يتسبب الحمل الزائد أو محاولة طيّ العربة بطريقة غير صحيحة أو استخدام قطع غيار من إنتاج جهات تصنيع أخرى في تلف العربة أو كسرها أو جعلها غير آمنة للاستخدام. يُرجى الاطلاع على دليل التعليمات بعناية.
- ! يُرجى قراءة كل التعليمات الواردة في هذا الدليل قبل استخدام المنتج. كما يرجى الاحتفاظ بهذا الدليل لاستخدامه في المستقبل. قد يؤدي عدم مراعاة هذه التحذيرات واتباع التعليمات إلى وقوع إصابات بالغة أو الوفاة.
- ! احرص على استخدام حزام الأمان دائماً لتفادي وقوع الإصابات البالغة الناتجة عن الوقوع أو الانزلاق.
- ! تأكد من ابتعاد جسد طفلك عن الأجزاء المتحركة عند ضبط العربة.
- ! تأكد من أن العربة مفتوحة تماماً أو مطوية تماماً قبل اقتراب الطفل منها.
- ! في حالة عدم استخدام الحزام قد ينزلق الطفل إلى فتحات الساق ومن ثم يتسبب ذلك في اختناقه.
- ! يُحظر استخدام عربة الأطفال على درج أو سلالم كهربائية.
- ! احرص على إبعاد العربة عن مصادر الحرارة المرتفعة أو السوائل أو الأجهزة الإلكترونية.
- ! يُحظر وقوف الطفل على العربة أو جلوسه بداخلها عندما تكون رأسه متجه ناحية المقدمة.
- ! يُحظر وضع عربة الأطفال على الطرق أو المنحدرات أو المناطق الخطرة.
- ! لتفادي الاختناق، تجنب وضع أي أجسام مزودة بسلاسل حول رقبة الطفل أو قم بفصل السلاسل عن المنتج أو ربطها في الألعاب.
- ! أي حمولة مركبة على المقبض أو على الجزء الخلفي من مسند الظهر أو في جانبي العربة يؤثر على استقرار العربة.

! تجنب رفع العربة إذا كان الطفل بداخلها.

! تجنب وضع الطفل داخل سلة التخزين.

! لتفادي ميل العربة، احرص على عدم تسلق الطفل لها. ارفع طفلك داخل العربة أو خارجها دائماً.

! لتجنب انحسار الأصابع، احرص على طيّ العربة أو بسطها بعناية.

! تأكد من إبعاد طفلك عند بسط العربة أو طيها لتجنب إلحاق أي ضرر به.

! لضمان سلامة طفلك، يُرجى التأكد من تركيب كل المكونات وإحكام ربطها جيداً قبل استخدام العربة.

! لتجنب اختناق طفلك، تأكد من إبعاده عن الغطاء.

! احرص على تأمين المكابح عند وقوف العربة.

! احرص على عدم استخدام العربة في حال تعرضها للتلف أو الكسر.

! يجب استخدام العربة بسرعة المشي فقط. هذا المنتج غير مُصمم للاستخدام أثناء الركض.

! لتجنب وضع سوائل ساخنة في حامل الأكواب لتفادي الإصابة بحروق.

! لتجنب الاختناق، أزل الكيس البلاستيكي ومواد التغليف قبل استخدام هذا المنتج. واحتفظ بهما بعيداً عن متناول الأطفال والرضع.

! هذا المنتج غير مناسب للاستخدام أثناء الجري أو التزلق.

! صُممت عربة الأطفال لاستخدامها منذ لحظة الولادة، ويفضل استخدام وضعية الانحناء المُصممة خصيصاً للأطفال حديثي الولادة.

! يجب تأمين المكابح عند وضع الطفل في العربة وإخراجه منها.

! لا تُعتبر هذه العربة بديلاً عن سريير الطفل أو مهده عند استخدامها مع أنظمة تقييد حركة الطفل المقترنة بهيكل السيارة. وفي حالة رغبة الطفل في النوم، يجب وضعه في حقيبة حمل أو فراش أو سريير ملائم.

! لا تُستخدم حقيبة حمل الطفل إلا مع الأطفال غير القادرين على الجلوس بدون دُعامة وكذلك غير القادرين على دفع أنفسهم لأعلى. الحد الأقصى لوزن الطفل: 9 كجم.

! تجنب وضع أي مفارش أو حشوات غير المثبتة بحقيبة حمل الطفل.

! هذا المنتج مناسب للاستخدام مع أطفال حتى 22 كجم أو 4 سنوات، أيهما يأتي أولاً.

استخدام إبريزم الحزام

راجع الصور من 16 - 17

تحرير الإبريزم

اضغط على الزر الموجود بمنطقة الوسط لتحرير الإبريزم. 16

غلق الإبريزم

طابق إبريزم حزام الوسط وإبريزم حزام الكتف 1 - 17، واضغط على الإبريزم الأوسط. 2 - 17، عند سماع صوت "طقطقة" فهذا يشير إلى غلق الإبريزم بالكامل. 3 - 17

! لتفادي وقوع إصابات بالغة ناجمة من الوقوع أو الانزلاق، احرص دائماً على تأمين طفلك باستخدام الحزام. ! تأكد من تثبيت طفلك بإحكام. ! تأكد من أن المسافة بين الطفل وحزام الكتف تساوي سُمك يد واحدة تقريباً. ! تجنب ربط أحزمة الكتف بالتقاطع؛ حيث سيؤدي هذا إلى الضغط على رقبة الطفل.

استخدام أحزمة الكتف والخصر

راجع الصور من 18 - 21

! لحماية طفلك من السقوط، تحقق من ملاءمة طول وارتفاع أحزمة الكتف والخصر بعد وضع الطفل على المقعد.

1 - 18 مثبت حزام الكتف من النوع A

2 - 18 مثبت حزام الكتف من النوع B

3 - 18 ضابطة الانزلاق

A والفتحات العلوية للحزام مع الأطفال ذوي الحجم الكبير. استخدم مثبت حزام الكتف من النوع B والفتحات السفلية للحزام مع الأطفال ذوي الحجم الصغير. استخدم مثبت حزام الكتف من النوع

لضبط وضع مثبت حزام الكتف، أدر المثبت ليكون في نفس مستوى الجانب المتجه للأمام. أدخل الحزام عبر فتحة حزام الكتف من الخلف إلى الأمام. وأعد إدخاله من خلال الفتحة الأقرب لمستوى ارتفاع كتف الطفل، كما في الصورة 19 - 20

استخدم ضابطة الانزلاق لتغيير طول الحزام. 1 - 21

اضغط على الزر 2 - 21، أثناء سحب حزام الخصر للوصول إلى الطول المناسب. 3 - 21

ضبط مسند الساق

راجع الصور من 22

توجد وضعيتان لمسند الساق.

لرفع مسند الساق، ارفعه لأعلى. عند سماع صوت "طقطقة" فهذا يشير إلى غلق المساق بالكامل.

لخفض مسند القدمين، قم بالضغط على أزرار الضبط الموجودة على كلا جانبيه 1 - 22، ثم قم بتدوير المسند إلى أسفل. 2 - 22

استخدام القفل الدوار الأمامي

راجع الصور من 23

اسحب الأقفال الأمامية الدوارة لأعلى للحفاظ على اتجاه الحركة. 23

يوصى

باستخدام الأقفال الدوارة مع الأسطح غير المستوية.

استخدام المكابح

راجع الصور من 24 - 25

لإيقاف حركة العجلات، اضغط على لسان المكبح لأسفل. 24

لتحرير حركة العجلات، ما عليك سوى رفع لسان المكبح. 25

يوصى

احرص دائماً على تأمين المكابح عند وقوف العربة.

تركيب عربة الأطفال

يُرجى قراءة كل التعليمات الواردة في هذا الدليل قبل تركيب المنتج واستخدامه.

فتح العربة

راجع الصور من 1 - 2

فصل مزلاج التخزين عن حامل التخزين، ثم رفع المقبض لأعلى، حتى يصدر عنه صوت نقر يدل على فتح العربة بالكامل.

! تحقق من غلق مزلاج العربة بالكامل قبل المتابعة.

تركيب وفك العجلات الأمامية

راجع الصور من 3 - 4

تركيب وفك العجلات الخلفية

راجع الصور من 5 - 6

تركيب وفك غطاء الذراع

راجع الصور من 7 - 8

تركيب المظلة

راجع الصور من 9 - 10

جمع و تفكيك حامل الأكواب

راجع الصور من 11 - 12

تعليمات تركيب العربة بالكامل موضحة في الصورة 13

تشغيل العربة

ضبط مسند الظهر

راجع الصور من 14 - 15

صُمم مسند الظهر بأربع زوايا إمالة.

إمالة مسند الظهر

لإمالة مسند الظهر إلى الخلف، اضغط على مقبض الإنحناء الموجود خلف المقعد، واسحب مسند الظهر لأسفل. 14

رفع مسند الظهر

لرفع مسند الظهر، اسحبه لأعلى. 15

! تأكد من أن وضع الإنحناء صالح للاستخدام

الاستخدام مع حقيبة حمل الطفل التي تنتجها Joie

أنظر الصور 40 - 41

عند التجوال باستخدام حقيبة حمل الطفل من طراز Joie ramble, ramble xl، يرجى اتباع التعليمات التالية.

! يُرجى الرجوع إلى دليل التعليمات الخاص بحقيبة حمل الأطفال، عند مواجهة أية مشكلة أثناء استخدامها.

! استخدم المرتبة باستمرار عند استعمال حقيبة حمل الطفل.

! يرجى عدم طي العربة عند تركيب حقيبة حمل الطفل.

استخدام غطاء المطر

أنظر الصور 42

لتجميع غطاء المطر ضعه فوق العربة ثم ثبت 8 أزواج من مثبتات الخطاف والحلقة على غطاء المطر 42

قبل استخدام غطاء المطر تأكد من أن مسند الظهر قد تم ضبطه في الوضع السفلي ومقعد الطفل الخاص بالسيارة قد تم تثبيته.

! عند استخدام غطاء المطر تأكد دائماً من توافر التهوية.

! في حالة عدم الاستخدام تأكد أن غطاء المطر قد تم تنظيفه وتجفيفه قبل تطبيقه.

! تجنب طي العربة بعد تجميع غطاء المطر.

! لا تضع الطفل في العربة مع تجميعها بغطاء المطر في الطقس الساخن.

استخدام كيس تدفئة الأقدام

أنظر الصور 43 - 44

التنظيف والصيانة

راجع الصور من 45

! يمكن غسل وسادة المقعد القابلة للإزالة بالماء البارد ثم تركها لتجف. يحظر استخدام المبيضات. يُرجى الرجوع إلى ملصق العناية للحصول على تعليمات

حول تنظيف قطع قماش العربة.

! يمكن غسل الأجزاء اللينة القابلة للإزالة في الغسالة. ويحظر استخدام المبيضات. تجنب عصر غطاء المقعد والبطانة الداخلية لتجفيفهما بقوة مفرطة.

فقد يؤدي ذلك إلى ترك تجاعيد في غطاء المقعد والبطانة الداخلية.

! لتنظيف هيكل العربة، استخدم الصابون المنزلي والماء الدافئ فقط. تجنب استخدام المبيضات أو المنظفات القوية. امسح الأجزاء البلاستيكية ونظفها بصور

ة دورية باستخدام قطعة قماش مبللة. قم بتجفيف الأجزاء المعدنية دائماً لتجنب تكوين الصدأ، في حالة تعرض العربة للماء.

! قد يتسبب التعرض المفرط لأشعة الشمس أو الحرارة في تلف أجزاء العربة أو تشويهها.

! في حالة بلل عربة الأطفال، افتح الغطاء واتركها لتجف جيداً قبل تخزينها.

! في حال سماع صوت صرير من العجلات، استخدم زيتاً خفيفاً (مثل بخاخ السيليكون أو زيت منع الصدأ أو بخاخ التلميع المنزلي أو زيت ماكينة الخياطة).

ويوصى بوضع الزيت داخل تركيبات العجلات والمحور. 45

! عند استخدام عربة الأطفال على الشاطئ أو على أي بيئة رملية/ملحية بالغبار، احرص على تنظيف تركيبات العجل والمعدات من الرمال والملح جيداً بعد الاستخدام.

استخدام المظلة

راجع الصور من 26

يمكن فتح المظلة أو طيها، قم بسحبها نحو الأمام أو الخلف.

يمكن فتح الغطاء تماماً لحماية طفلك من أشعة الشمس، حيث إن كل ما عليك فعله هو فك السوستة 26، ثم اسحب الغطاء في الاتجاه الأمامي.

هناك نافذة على المظلة، يمكنك من خلالها مشاهدة طفلك.

ضبط المقبض

راجع الصور من 27

استخدام غطاء حسام الكتف وغطاء الحزام المفرق للسائقين

يمكن فصل غطاء حزام الكتف أو غطاء مفرق السائقين من النسيج. لتركيب غطاء حزام الكتف و الغطاء المفرق للسائقين بخطوات عكسية. 28

طيّ العربة

راجع الصور من 29 - 32

! يرجى طيّ الغطاء قبل طيّ العربة.

1. اسحب أشرطة حزام الطي لأعلى، وسيتم طي الإطار تلقائياً إلى الخلف. 1 - 30
2. وهنا سيتعلق مزلاج التخزين بصورة أوتوماتيكية بمزلاج التثبيت، ثم تُطوى العربة بالكامل ويُحکم إغلاقها. 31
3. يمكن إيقاف العربة وهي مطوية. 32

استخدام الملحقات

قد تباع الملحقات بشكل مفرد أو قد لا تكون متاحة وفقاً للمنطقة.

الاستخدام مع نظام تقييد حركة الطفل الرضيع

راجع الصور من 33 - 39

عند الاستخدام مع نظام Gemm, i-Gemm 2, i-Snug & i-Level لتقييد حركة الطفل من Joie، يُرجى اتباع التعليمات التالية:

! تأكد من ضبط نظام تقييد حركة الطفل على الوضع السفلي وتثبيت نظام تقييد حركة الطفل، وذلك قبل استخدام الغطاء.

! يُرجى الرجوع إلى دليل التعليمات الخاص بنظام تقييد حركة الطفل، عند مواجهة أية مشكلة أثناء استخدامها.

! برجاء عدم طي العربة في الوقت الذي لا يزال فيه نظام تقييد حركة الطفل مركباً.

CH 謝謝您使用本產品

祝賀您加入巧兒宜大家庭! 您剛買了一台符合台灣安全標準 CNS 12940 : 2013 和歐洲安全標準 EN 1888-2:2018 的高品質的 Litetrax 4 Dix 手推車。這台手推車適用於重量 22 公斤以下的寶寶。台灣區域使用請依照 CNS 標準規範。

請仔細閱讀本說明書並依照指示操作，這樣才能保障並提供您的寶寶一個安全又舒適的行程。

重要 - 請保留好說明書以便日後參考。

如需要了解更多信息，請您訪問 joiebaby.com 網站下載說明書或查看更多令人激動的 Joie 產品!

目錄

參照圖示	1-9
緊急情況處理	108
產品資訊	109
產品組件及各部件名稱	110
警告	111
產品組裝	114
打開手推車	114
組裝&拆卸前輪	114
組裝&拆卸後輪	114
組裝&拆卸扶手	114
組裝遮陽篷	114
組裝&拆卸置物杯	115

產品操作	115
調整背靠角度	115
使用安全扣	115
使用肩帶和腰帶	116
調節小腿靠支撐板	117
前輪定向	117
使用剎車踏板	117
使用遮陽篷	118
調整車手	118
使用肩帶護片和胯帶護片	118
收合手推車	118
使用配件	119
使用汽車椅	119
使用睡箱	119
使用雨篷	120
使用睡袋	120
保養常識	121

緊急情況處理

遇緊急事件或事故時，需迅速急救或送醫治療照顧您的寶寶是非常重要的。

產品資訊

Allison GmbH

Adam-Opel-Straße 21 67227 Frankenthal

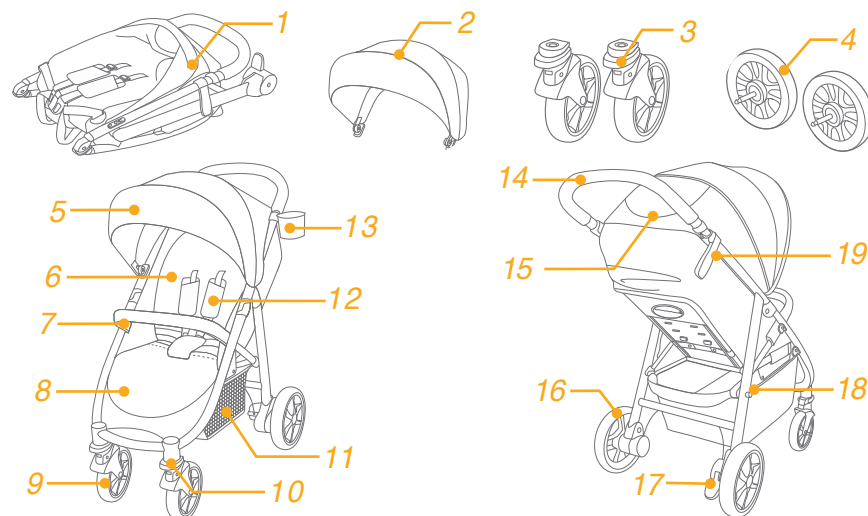
www.joiebaby.com

產品名稱 litetrax™ 4 dlx手推車
產品型號 S1112V
適用範圍 新生兒-22公斤(0-48個月)的寶寶
主要材質 塑膠、合金、布
製造日期 詳見產品上貼紙日期(年/月/日)
專利號碼 專利申請中
產地 中國

產品組件及各部件名稱

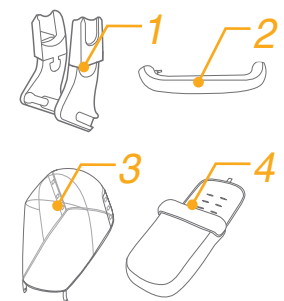
組裝前請確認所有部件已經齊全，如有遺漏，請與代理商聯繫。本產品無需工具進行組裝。

- | | | |
|-------|-----------|---------|
| 1 主體 | 8 小腿靠 | 15 天窗 |
| 2 遮陽篷 | 9 前輪 | 16 後輪 |
| 3 前輪 | 10 前輪定向拉板 | 17 剎車踏板 |
| 4 後輪 | 11 置物籃 | 18 收合栓 |
| 5 遮陽篷 | 12 肩帶 | 19 收合鉤 |
| 6 座墊 | 13 置物杯 | |
| 7 扶手 | 14 車手 | |



配件 (可能不包含)

1. 汽車椅卡座 (僅部份型號含)
2. 扶手布套 (僅部份型號含)
3. 雨篷 (僅部份型號含)
4. 睡袋 (僅部份型號含)



因產品型號的不同，並非所有手推車均附以上配件。

警告

- ! 警告：總是使用束縛系統，安全帶或束縛系統必須正確的扣合及使用。
- ! 警告：使用前，請確保所有鎖定裝置都已處於鎖定狀態。
- ! 警告：請勿允許您的寶寶將本產品當玩具玩耍。
- ! 警告：使用前，請確保手推車或汽車椅所有鎖定裝置都已正確鎖定。
- ! 本產品須由成人進行組裝。
- ! 本手推車適合體重22公斤以下的寶寶使用，不符合使用條件的寶寶會對手推車造成損壞。
- ! 請勿擺放超過4.5公斤的物件於置物籃內，以免導致手推車不穩定而產生危險。
- ! 置物杯的最大載重為0.5公斤。
- ! 不得將寶寶單獨留置於手推車上無人看護。
- ! 不得同時乘坐二位及以上寶寶或附載其它的錢包、購物袋、包裹附件於車手或遮陽篷上。
- ! 請勿使用非製造商提供的附件。只可使用製造商推薦或提供的部分。
- ! 請仔細閱讀說明書，請勿使用其它廠商提供的零部件。
- ! 超載或不正確的折疊及使用未經核准的零部件都可能造成手推車損壞、故障或不安全，請務必閱讀製造商說明書。
- ! 使用前請仔細閱讀本說明書並請妥善保存供以後參照。如果不按照本說明書可能會導致寶寶的重傷或死亡。
- ! 避免寶寶跌落或滑落受到傷害，總是使用安全帶。

- ! 當調整手推車上之任何可活動配件時，必須確定寶寶與手推車保持安全距離。
- ! 寶寶接近手推車前，請確認手推車已完全打開或收合。
- ! 使用時請扣好安全帶，以免寶寶滑入腿部開口外而造成窒息。
- ! 禁止在樓梯或電梯上使用手推車。
- ! 使用時請遠離火源、高溫、水池或電源之附近範圍。
- ! 請勿讓寶寶站立或倒坐於手推車上。
- ! 請勿將手推車放置於馬路、坡道或危險場所。
- ! 請勿將任何繩索或索帶類物件懸掛於寶寶頸部附近，或扣在產品上，以免導致意外窒息。
- ! 請勿放置任何物品在車手、背靠後面或車台側面，以免影響手推車的穩定性。
- ! 寶寶乘坐於手推車內時，不可將整個手推車往上提。
- ! 請勿將寶寶放到置物籃內。
- ! 請不要讓寶寶攀握手推車，以免翻覆。
- ! 為避免手指夾傷問題，收合及展開手推車時，請務必小心。
- ! 寶寶接近手推車前，請確認手推車已完全打開或收合。
- ! 使用前請確定各部件安裝牢固以確保安全。
- ! 保持寶寶遠離遮陽篷或雨篷以免造成窒息。
- ! 停泊此手推車時務必確實使用所有之剎車裝置。
- ! 當發現手推車損壞時，應立即停止使用。

- ! 本產品只適合以步行速度使用。
- ! 避免燙傷兒童，請勿將熱飲放入置物杯內。
- ! 使用本產品前，請取掉PE袋和包裝材料並銷毀，並放到嬰兒和兒童觸摸不到的地方。
- ! 本產品不適用於跑步和滑冰。
- ! 當放入和抱出寶寶時，應鎖定剎車裝置。
- ! 當結合汽車椅使用時，本產品不可代替睡床使用。若您的寶寶需要睡眠時，請讓寶寶睡在合適的睡床上。
- ! 睡箱不適用於能自行坐立和翻身且能靠自己的手與膝蓋站立的寶寶，睡箱適用寶寶最大體重為9公斤。
- ! 使用睡箱時請勿在睡箱內增加額外的睡墊。
- ! 移動本產品時，輕放輕移，切忌硬拖猛推，以免造成產品結構等鬆動或斷裂。
- ! 供新生兒使用時，應使用最斜躺位置。
- ! 當結合汽車椅使用時，本產品不可代替睡床使用。若您的寶寶需要睡眠時，請讓寶寶睡在合適的睡床上。

產品組裝 (圖片請參閱說明書 1-9 頁)

組裝及使用手推車前，請先閱讀說明書全文，並按照說明書指示進行操作。

打開手推車

見圖① - ②

推開收合鉤①，然後將車手向後上方向拉起②，聽到“咔嚓”聲表示車架已打開到位。

! 使用手推車前務必確保車架已打開到位。

組裝& 拆卸前輪

見圖③ - ④

組裝& 拆卸後輪

見圖⑤ - ⑥

組裝& 拆卸扶手

見圖⑦ - ⑧

組裝遮陽篷

見圖⑨ - ⑩

組裝& 拆卸置物杯

見圖 11 - 12

手推車組裝完成後如 13 所示。

產品操作

調整背靠角度

見圖 14 - 15

依不同使用需求，背靠共有4個段位可供調節。

調低背靠角度

按壓背靠調整拉桿，同時向下調整靠背到合適的角度 14

調高背靠角度

調高背靠角度時，將背靠向上推即可 15

！確保背靠角度調整到合適角度後，方可使用。

使用安全扣

見圖 16 - 17

鬆開安全扣

按下母扣中央的按鈕，鬆開安全扣 16

扣合安全扣

將肩帶扣插入腰帶扣 17 - 1，再將他們插入母扣內 17 - 2，

聽到“咔嚓”聲表示扣合到位 17 - 3

！ 為防止寶寶摔跤，寶寶乘坐時必須繫上安全帶。

！ 請牢牢地繫上安全帶，並注意寶寶與安全帶之間須可以放進一個手掌的厚度。

！ 請勿交叉肩帶，以免對寶寶頸部造成壓迫。

使用肩帶和腰帶

見圖 18 - 21

！ 寶寶坐進手推車後，請確認肩帶孔高度和肩帶及腰帶的長度是否合適，以免寶寶於使用時意外跌出。

18 - 1 肩帶固定栓A

18 - 2 肩帶固定栓B

18 - 3 調整扣

較大的寶寶使用時，請使用肩帶固定栓A和最上方的肩帶孔；

較小的寶寶使用時，請使用肩帶固定栓B和最下方的肩帶孔。

調整肩帶固定栓位置時，將背靠後方的肩帶固定栓放置水平、短邊朝前，從肩帶孔穿出 19，再從背靠前方將肩帶固定栓穿過最接近寶寶肩膀的肩帶孔 20

將調整扣上下滑動，可調節肩帶長度 21 - 1。按壓按鈕 21 - 2，同時往外拉安全扣內側或外側的腰帶，可調節腰帶長度 21 - 3

調節小腿靠支撐板

見圖 22

依不同使用需求，小腿靠共有2個段位可供調節。

段位調高時，將小腿靠支撐板由下往上推即可。

段位調低時，按壓小腿靠兩側的調整按鈕 22 - 1，同時向下調節小腿靠支撐板 22 - 2。

前輪定向

見圖 23

向上提起拉板，即可固定車輪前行方向 23。

使用小秘訣 當在碎石路面或不平路面推行時，建議鎖定前車輪，便能更輕鬆地操控手推車。

使用剎車踏板

見圖 24 - 25

準備剎車時，踩下剎車踏板 24。

打開剎車時，將剎車踏板抬起 25。

使用小秘訣 手推車停止前進時，請踩下剎車踏板。

使用遮陽篷

見圖 26

向前或向後拉遮陽篷，即可將遮陽篷打開或收攏。

防止寶寶被陽光直射，可以完全打開遮陽篷，拉開拉鏈 26 將遮陽篷往前拉即可。

打開遮陽篷上的天窗方便於照看您的寶寶。

調整車手

見圖 27

使用肩帶護片和胯帶護片

見圖 28

肩帶護片或胯帶護片 28 可從織帶上取下，反之即可組裝。

收合手推車

見圖 29 - 32

！收合手推車前，請先收攏遮陽篷。

1. 向上提起收合織帶，車架向後自動折疊 30 - 1。
2. 收合鉤自動扣合收合栓，手推車收合完成後如 31 所示。
3. 手推車收合後可站立如 32 所示。

使用配件

因產品型號的不同，規格會有所不同。並非所有手推車均附以下配件。

使用汽車椅

見圖 33 - 39

當與Joie嬰兒提籃gemm, i-Gemm 2, i-Snug & i-Level配合使用時，請參考以下警告：

- ！ 請將手推車背靠調至最平躺段位。
- ！ 關於使用汽車椅有任何問題，請參考汽車椅說明書。
- ！ 請勿收合已安裝汽車椅的手推車。

使用睡箱

見圖 40 - 41

當與Joie睡箱ramble, ramble xl配合使用時，請參考以下警告：

- ！ 關於使用睡箱有任何問題，請參考睡箱說明書。
- ！ 使用睡箱時必須使用睡墊。
- ！ 請勿收合已安裝睡箱的手推車。

使用雨篷

見圖 42

將雨篷套到車架上，再黏合雨篷側面的黏扣帶 42

- ！ 使用雨篷時，請確認汽車椅已正確固定和手推車背靠已調至最低檔。
- ！ 使用雨篷時，請隨時注意並確認雨篷內有良好的通風。
- ！ 不使用雨篷時，請先確認雨篷已清潔並乾燥，再收納。
- ！ 請勿收合已罩上雨篷的手推車。
- ！ 天氣炎熱時，請勿將寶寶放在裝有雨篷的手推車內。

使用睡袋

見圖 43 - 44

保養常識

見圖 45

- ! 清洗車架：僅能使用中性清潔劑及溫水洗滌，請勿使用漂白劑。清洗後用吸水的布擦乾防止生鏽。
- ! 隨時檢查您的手推車，並隨時更換或修理鬆弛磨損的零件、脫落的材料或車縫線。
- ! 過度曝曬於陽光下，可導致手推車老化或變形。
- ! 手推車潮濕時，請打開手推車及遮陽篷，待乾燥後再收合起來。
- ! 如果輪子發出“吱吱”聲，可加油(WD-40，防鏽油或縫紉機油)潤滑。請將潤滑油點入輪軸及軸孔 45 之間，此步驟為重要的保養須知。
- ! 在海邊使用手推車時，務必於使用過後清除沙粒，以做好完善的清洗。

ZH 感谢您使用本产品

祝贺您加入巧儿宜大家庭! 您刚买了一台符合国家执行标准GB 14748-2006《儿童推车安全要求》和欧洲安全标准EN 1888-2:2018 的高品质的Litetrax 4 Dlx 手推车。这台手推车适用于重量22 公斤以下的宝宝。中国区域使用请依照GB 标准规范。

请仔细阅读本说明书并依照指示操作, 这样才能保障并提供您的宝宝一个安全又舒适的行车旅程。

重要 - 请保留好说明书以便日后参考。

如需要了解更多信息, 请您访问joiebaby.com 网站下载说明书或查看更多令人激动的Joie 产品!

目录

参照图示	1-9
紧急情况处理	124
产品资讯	125
产品组件及各部件名称	126
警告	127
产品组装	130
打开手推车	130
组装&拆卸前轮	130
组装&拆卸后轮	130
组装&拆卸扶手	130
组装遮阳篷	130
组装&拆卸置物杯	131

产品操作	131
调整背靠角度	131
使用安全扣	131
使用肩带和腰带	132
调节小腿靠支撑板	133
前轮定向	133
使用刹车踏板	133
使用遮阳篷	134
调整车把	134
使用肩带护片和胯带护片	134
收合手推车	134
使用配件	135
使用汽车椅	135
使用睡箱	135
使用雨篷	136
使用睡袋	136
保养常识	137

紧急情况处理

遇紧急事件或事故时, 需迅速急救或送医治疗照顾您的宝宝是非常重要的。

产品资讯

使用本产品前请先阅读说明书全文, 如果您对于使用本产品还有任何疑问, 请与销售商联系。因产品型号的不同, 规格会有所不同。

Allison GmbH

Adam-Opel-Straße 21 67227 Frankenthal

www.joiebaby.com

www.joiebaby.com.cn

产品名称 litetrax™ 4 dlx手推车

产品型号 S1112V

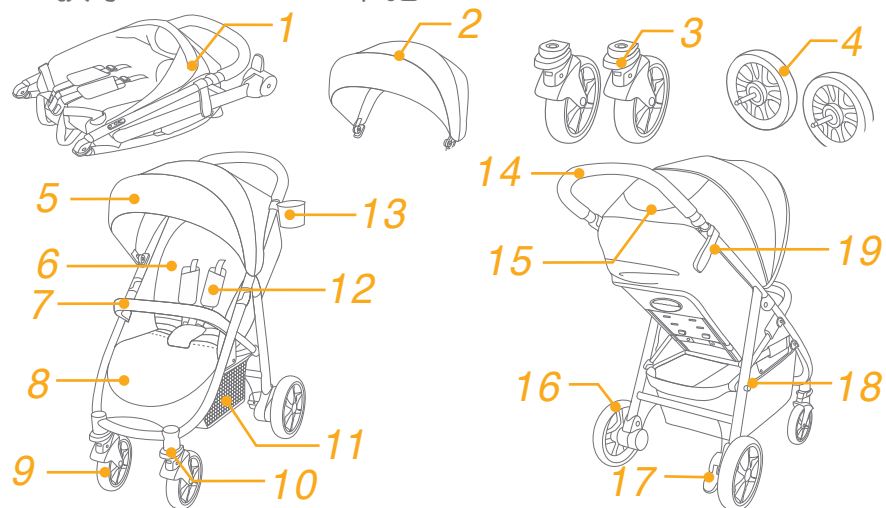
适用范围 新生儿-22公斤(0-48个月)的宝宝

主要材质 塑胶、五金、布

产品组件及各部件名称

组装前请确认所有部件已经齐全, 如有遗漏, 请与销售商联系。本产品无需工具进行组装。

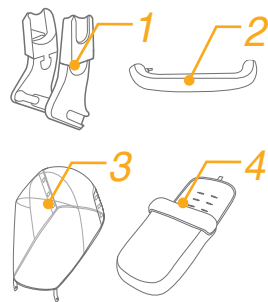
- | | | |
|-------|-----------|---------|
| 1 主体 | 8 小腿靠 | 15 天窗 |
| 2 遮阳篷 | 9 前轮 | 16 后轮 |
| 3 前轮 | 10 前轮定向拉板 | 17 刹车踏板 |
| 4 后轮 | 11 置物篮 | 18 收合栓 |
| 5 遮阳篷 | 12 肩带 | 19 收合钩 |
| 6 座垫 | 13 置物杯 | |
| 7 扶手 | 14 车把 | |



配件(可能不包含)

1. 汽车椅卡座 (仅部份型号含)
2. 扶手布套 (仅部份型号含)
3. 雨篷 (仅部份型号含)
4. 睡袋 (仅部份型号含)

因产品型号的不同, 并非所有手推车均附以上配件。



警告

- ! 警告: 总是使用束缚系统, 安全带或束缚系统必须正确的扣合及使用。
- ! 警告: 使用前, 请确保所有锁定装置都已处于锁定状态。
- ! 警告: 请勿允许您的宝宝将本产品当玩具玩耍。
- ! 警告: 使用前, 请确保手推车或汽车椅所有锁定装置都已正确锁定。
- ! 本产品须由成人进行组装。
- ! 本手推车适合体重22公斤以下的宝宝使用, 不符合使用条件的宝宝会对手推车造成损坏。
- ! 请勿摆放超过4.5公斤的物件于置物篮内, 以免导致手推车间不稳定而产生危险。
- ! 置物杯的最大载重为0.5公斤。
- ! 不要留下小孩无人照看。
- ! 不得同时乘坐二位及以上宝宝或附载其它的钱包、购物袋、包裹附件于车把或遮阳篷上。
- ! 请勿使用非制造商提供的附件。只可使用制造商推荐或提供的部分。
- ! 请仔细阅读说明书, 请勿使用其它厂商提供的零部件。
- ! 超载或不正确的折叠及使用未经核准的零部件都可能造成手推车损坏、故障或不安全, 请务必阅读制造商说明书。
- ! 使用前请仔细阅读本说明书并请妥善保存供以后参照。如果不按照本说明书可能会导致宝宝的重伤或死亡。
- ! 避免宝宝跌落或滑落受到伤害, 总是使用安全带。

- ! 当调整手推车上之任何可活动配件时, 必须确定宝宝与手推车保持安全距离。
- ! 宝宝接近手推车前, 请确认手推车已完全打开或收合。
- ! 使用时请扣好安全带, 以免宝宝滑入腿部开口外而造成窒息。
- ! 禁止在楼梯或电梯上使用手推车。
- ! 使用时请远离火源、高温、水池或电源之附近范围。
- ! 请勿让宝宝站立或倒坐于手推车上。
- ! 请勿将手推车放置于马路、坡道或危险场所。
- ! 请勿将任何绳索或索带类物件悬挂于宝宝颈部附近, 或扣在产品上, 以免导致意外窒息。
- ! 请勿放置任何物品在车把、背靠后面或车台侧面, 以免影响手推车的稳定性。
- ! 宝宝乘坐于手推车内时, 不可将整个手推车往上提。
- ! 请勿将宝宝放到置物篮内。
- ! 请不要让宝宝攀爬手推车, 以免翻覆。
- ! 为避免手指夹伤问题, 收合及展开手推车时, 请务必小心。
- ! 宝宝接近手推车前, 请确认手推车已完全打开或收合。
- ! 使用前请确定各部件安装牢固以确保安全。
- ! 保持宝宝远离遮阳篷或雨篷以免造成窒息。
- ! 停泊此手推车时务必确实使用所有之刹车装置。
- ! 当发现手推车损坏时, 应立即停止使用。

- ! 本产品只适合以步行速度使用。
- ! 避免烫伤儿童, 请勿将热饮放入置物杯内。
- ! 使用本产品前, 请取掉PE袋和包装材料并销毁, 并放到婴儿和儿童触摸不到的地方。
- ! 本产品不适用于跑步和滑冰。
- ! 当放入和抱出宝宝时, 应锁定刹车装置。
- ! 当结合汽车椅使用时, 本产品不可代替睡床使用。若您的宝宝需要睡眠时, 请让宝宝睡在合适的睡床上。
- ! 睡箱不适用于能自行坐立和翻身且能靠自己的手与膝盖站立的宝宝, 睡箱适用宝宝最大体重为9公斤。
- ! 使用睡箱时请勿在睡箱内增加额外的睡垫。
- ! 移动本产品时, 轻放轻移, 切忌硬拖猛推, 以免造成产品结构等松动或断裂。
- ! 6个月以下婴儿使用时, 必须使用最斜躺位置。
- ! 当结合汽车椅使用时, 本产品不可代替睡床使用。若您的宝宝需要睡眠时, 请让宝宝睡在合适的睡床上。

产品组装 (图片请参阅说明书 1-9 页)

组装及使用手推车前, 请先阅读说明书全文, 并按照说明书指示进行操作。

打开手推车

见图① - ②

推开收合钩①, 然后将车把向后上方向拉起②, 听到“咔哒”声表示车架已打开到位。

! 使用手推车前务必确保车架已打开到位。

组装& 拆卸前轮

见图③ - ④

组装& 拆卸后轮

见图⑤ - ⑥

组装& 拆卸扶手

见图⑦ - ⑧

组装遮阳篷

见图⑨ - ⑩

组装& 拆卸置物杯

见图 11 - 12

手推车组装完成后如 13 所示。

产品操作

调整背靠角度

见图 14 - 15

依不同使用需求，背靠共有4个段位可供调节。

调低背靠角度

按压背靠调整拉杆，同时向下调整靠背到合适的角度 14

调高背靠角度

调高背靠角度时，将背靠向上推即可 15

！确保背靠角度调整到合适角度后，方可使用。

使用安全扣

见图 16 - 17

松开安全扣

按下母扣中央的按钮，松开安全扣 16

扣合安全扣

将肩带扣插入腰带扣 17 - 1，再将他们插入母扣内 17 - 2，听到“咔哒”声表示扣合到位 17 - 3

！为防止宝宝摔跤，宝宝乘坐时必须系上安全带。

！请牢牢地系上安全带，并注意宝宝与安全带之间须可以放进一个手掌的厚度。

！请勿交叉肩带，以免对宝宝颈部造成压迫。

使用肩带和腰带

见图 18 - 21

！宝宝坐进手推车后，请确认肩带孔高度和肩带及腰带的长度是否合适，以免宝宝于使用时意外跌出。

18 - 1 肩带固定栓A

18 - 2 肩带固定栓B

18 - 3 调整扣

较大的宝宝使用时，请使用肩带固定栓A和最上方的肩带孔；

较小的宝宝使用时，请使用肩带固定栓B和最下方的肩带孔。

调整肩带固定栓位置时，将背靠后方的肩带固定栓放置水平、短边朝前，从肩带孔穿出 19，再从背靠前方将肩带固定栓穿过最接近宝宝肩膀的肩带孔 20

将调整扣上下滑动，可调节肩带长度 21 - 1。按压按钮 21 - 2，同时往外拉安全扣内侧或外侧的腰带，可调节腰带长度 21 - 3

调节小腿靠支撑板

见图 22

依不同使用需求，小腿靠共有2个段位可供调节。

段位调高时，将小腿靠支撑板由下往上推即可。

段位调低时，按压小腿靠两侧的调整按钮 22 - 1，同时向下调节小腿靠支撑板 22 - 2

前轮定向

见图 23

向上提起拉板，即可固定车轮前行方向 23

使用小秘诀 当在碎石路面或不平路面推行时，建议锁定前车轮，便能更轻松地操控手推车。

使用刹车踏板

见图 24 - 25

准备刹车时，踩下刹车踏板 24

打开刹车时，将刹车踏板抬起 25

使用小秘诀 手推车停止前进时，请踩下刹车踏板。

使用遮阳篷

见图 26

向前或向后拉遮阳篷，即可将遮阳篷打开或收拢。

防止宝宝被阳光直射，可以完全打开遮阳篷，拉开拉链 26 将遮阳篷往前拉即可。

打开遮阳篷上的天窗方便于照看您的宝宝。

调整车把

见图 27

使用肩带护片和胯带护片

见图 28

肩带护片或胯带护片 28 可从织带上取下，反之即可组装。

收合手推车

见图 29 - 32

！收合手推车前，请先收拢遮阳篷。

1. 向上提起收合织带，车架向后自动折叠 30 - 1
2. 收合钩自动扣合收合栓，手推车收合完成后如 31 所示。
3. 手推车收合后可站立如 32 所示。

使用配件

因产品型号的不同，规格会有所不同。并非所有手推车均附以下配件。

使用汽车椅

见图 33 - 39

当与Joie 婴儿提篮gemm, i-Gemm 2, i-Snug & i-Level配合使用时，请参考以下警告：

- ！ 请将手推车背靠调至最平躺段位。
- ！ 关于使用汽车椅有任何问题，请参考汽车椅说明书。
- ！ 请勿收合已安装汽车椅的手推车。

使用睡箱

见图 40 - 41

当与Joie 睡箱ramble, ramble xl配合使用时，请参考以下警告：

- ！ 关于使用睡箱有任何问题，请参考睡箱说明书。
- ！ 使用睡箱时必须使用睡垫。
- ！ 请勿收合已安装睡箱的手推车。

使用雨篷

见图 42

将雨篷套到车架上，再粘合雨篷侧面的粘扣带 42

- ！ 使用雨篷时，请确认汽车椅已正确固定和手推车背靠已调至最低档。
- ！ 使用雨篷时，请随时注意并确认雨篷内有良好的通风。
- ！ 不使用雨篷时，请先确认雨篷已清洁并干燥，再收纳。
- ！ 请勿收合已罩上雨篷的手推车。
- ！ 天气炎热时，请勿将宝宝放在装有雨篷的手推车内。

使用睡袋

见图 43 - 44

保养常识

见图45

- ! 清洗车架: 仅能使用中性清洁剂及温水洗涤, 请勿使用漂白剂。清洗后用吸水的布擦干防止生锈。
- ! 随时检查您的手推车, 并随时更换或修理松弛磨损的零件、脱落的材料或车缝线。
- ! 过度曝晒于阳光下, 可导致手推车老化或变形。
- ! 手推车潮湿时, 请打开手推车及遮阳篷, 待干燥后再收合起来。
- ! 如果轮子发出“吱吱”声, 可加油(WD-40, 防锈油或缝纫机油)润滑。请将润滑油点入轮轴及轴孔⁴⁵之间, 此步骤为重要的保养须知。
- ! 在海边使用手推车时, 务必于使用过后清除沙粒, 以做好完善的清洗。

HU Üdvözli a Joie™

Gratulálunk, hogy Ön is a Joie család tagja lett! Nagyon örülünk, hogy részesei lehetünk a kisgyereke életútjának. Amikor a Joie LITETRAX™ 4 dlx gyerekkocsival utazik, Ön egy kitűnő minőségű, teljes mértékben jóváhagyott gyerekkocsit használ, amely megfelel az EN 1888-2:2018 szabványnak. A gyerekágy 22kg-os vagy 4 éves gyerekeknek megfelelő, amelyik hamarabb bekövetkezik. Kérjük figyelmesen olvassa el ezt a kézikönyvet és kövesse a lépéseket, hogy kényelmes utazást és a legjobb védelmet biztosítsa a gyermekének.

FONTOS - OLVASSA EL FIGYELMESEN ÉS TARTSA MEG A KÉSŐBBIEKRE.

A kézikönyvek letöltéséhez látogasson el a joiebaby.com címre, itt láthat további érdekes Joie termékeket!

Garanciális információkért kérjük látogasson el weboldalunkra a joiebaby.com címen.

Tartalom

Ábra	1-9
FIGYELMEZTETÉS	143
Gyerekkocsi összerakása	146
Gyerekkocsi kinyitása	146
Első kerék összerakása és leszerelése	146
Hátulsó kerék összerakása és leszerelése	146
Rakja össze és szerelje le a karfát	146
Rakja össze az ülést	146

Pohártartó összerakása és leszerelése	147
Gyerekkocsi használata	147
Háttámla állítása	147
Használja a csatot	147
Használja a váll és csípőhámszíjat	148
Lábtartó állítása	149
Első elfordító zár használata	149
Fék használata	149
Ülés használata	149
A fogantyú állítása	150
A vállhámszija borító és láb közötti hámszija használata	150
Hajtsa össze a gyerekkocsit	150
Tartozékok használata	150
Tisztítás és karbantartás	153

Sürgősség

Sürgősség vagy baleset esetén a legfontosabb, hogy a gyerekek viselje gondját azonnali elsősegéllyel vagy orvosi kezeléssel.

Termékinformáció

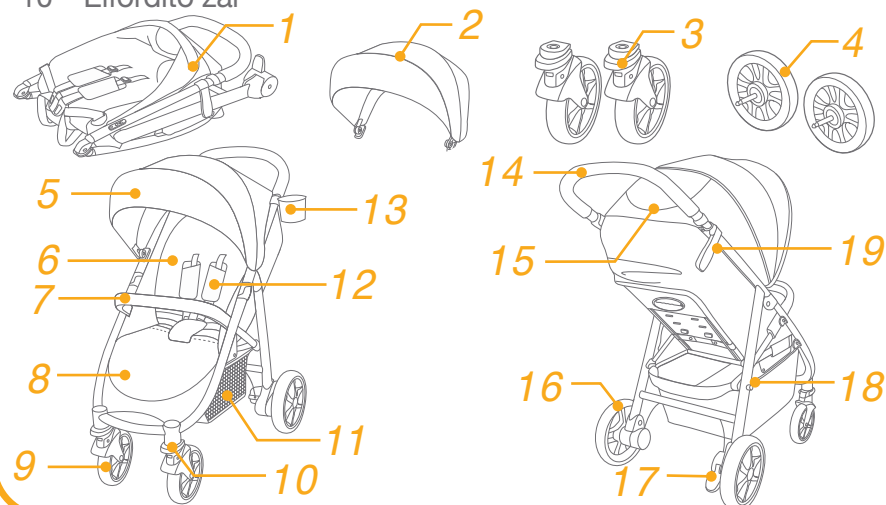
A termék használata előtt olvassa el az útmutatóban lévő összes utasítást. Amennyiben további kérdései vannak, tanácskozzon közvetlenül a forgalmazóval. Egyes funkciók modellfüggőek.

Termék	Litetrax™ 4 dlx gyerekkocsi
Megfelelő	Ovaj proizvod prikladan je za djecu od rođenja do težine 22 kg ili starosti 4 godine, što se od toga prije dogodi.
Anyag	Műanyag, fém, szövet
Szabványszám	Szabvány fenntartott
Készült	Kínában
Márkanév	Joie
Weboldal	www.joiebaby.com
Gyártó	Allison GmbH

Alkatrészek listája

Győződjön meg, hogy minden alkatrész rendelkezésre áll, mielőtt nekilát az összeszerelésnek. Amennyiben valamelyik alkatrész hiányzik, kérjük vegye fel a kapcsolatot a helyi kereskedővel. Az összeszereléshez nincs szükség semmilyen szerszámra.

- | | | | |
|----|-------------------|----|----------------|
| 1 | Gyerekkocsi keret | 11 | Tároló kosár |
| 2 | Ülés | 12 | Vállhámshíj |
| 3 | Első kerék | 13 | Pohártartó |
| 4 | Hátulso kerék | 14 | Fogantyú |
| 5 | Ülés | 15 | Ülés ablak |
| 6 | Üléspárna | 16 | Hátulso kerék |
| 7 | Karfa | 17 | Fékkar |
| 8 | Lábtartó | 18 | Tároló rögzítő |
| 9 | Első kerék | 19 | Tároló retesz |
| 10 | Elfordító zár | | |

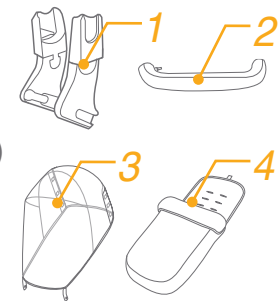


Tartozékok

(lehet hogy nincsenek mellékelve)

- | | | | |
|---|---|---|------------------------------------|
| 1 | Adapter (bizonyos modelleken) | 2 | Karfa borító (bizonyos modelleken) |
| 3 | Eső elleni borító (bizonyos modelleken) | 4 | Lábmelegítő (bizonyos modelleken) |

Tartozékokat árulhatnak külön vagy megtörténhet hogy nem elérhetők a régiótól függően.



FIGYELMEZTETÉS

- ! FIGYELEM Mindig használja az ülésrendszert. A biztonsági öveket és rögzítő rendszereket helyesen kell használni.
- ! FIGYELEM Használat előtt győződjön meg, hogy minden záró eszköz be van kapcsolva.
- ! FIGYELEM Ne engedje a gyereket játszani ezzel a termékkel.
- ! FIGYELEM Használat előtt ellenőrizze, hogy a gyerekkocsi szerkezete és a csecsemőhordozó tartozék eszközei helyesen vannak összeszerelve.
- ! Az összeszerelést felnőtt személynek kell elvégeznie.
- ! Olyan gyerekekkel használja a gyerekkocsit, akinek a súlya 22 kg-nál kevesebb. A nem beleváló gyerek kárt okozhat a gyerekkocsiban.
- ! Hogy megelőzzön egy veszélyes, instabil helyzetet, ne tegyen 4,5 kg-nál nagyobb súlyt a tároló kosárba.
- ! A legnagyobb ajánlott súly a pohártartóban 11bs (0,5kg).
- ! FIGYELEM Soha ne hagyja felügyelet nélkül a gyereket. Mindig tartsa szem előtt a gyereket amíg a gyerekkocsiban van.
- ! A gyerekkocsit egyszerre csak egy gyerekkel használja. Soha ne tegyen táskát, vásárlótáskát, csomagokat vagy más tartozék elemeket a fogantyúra vagy fedélre.
- ! A gyártó által nem jóváhagyott tartozékokat ne használja. Csak a gyártó által szállított vagy ajánlott cserealkatrészeket használja.
- ! A kocsi túlterhelése, helytelen összecsukása vagy más gyártó alkatrészeinek használata károsíthatja a gyerekkocsit, eltörheti vagy bizonytalaná teheti ezt. Kérjük olvassa el a kezelési útmutatót figyelmesen.
- ! Kérjük olvasson el minden útmutatást a kézikönyvben mielőtt használná a terméket. Kérjük tegye el a kezelési kézikönyvet a jövőbeni felhasználásra. Amennyiben figyelmen kívül hagyja a figyelmeztetéseket és útmutatásokat, ez komoly sérülést vagy halált okozhat.
- ! A kiesés vagy kicsúszás miatt bekövetkező komoly sérülések megelőzése érdekében mindig használja a biztonsági övet.
- ! Győződjön meg, hogy a gyerek teste nem akad be a mozgó alkatrészekbe amikor a gyerekkocsit állítja.
- ! Győződjön meg, hogy a gyerekkocsi teljesen ki van nyitva, vagy össze van csukva mielőtt a gyereket a gyerekkocsi közelébe engedi.
- ! Ha nem használja a hámszíjakat, a gyerek becsúszhat a lábnyílásokba és becsípheti a kocsit.
- ! Soha ne használjon gyerekkocsit lépcsőkön vagy mozgólépcsőkön.
- ! Tartsa távol magas hőmérsékletű tárgyaktól, folyadékoktól és elektronikától.
- ! Soha ne engedje a gyerekeknek hogy felálljon a gyerekkocsira vagy úgy üljön a gyerekkocsiba hogy a feje a kocsi eleje felé legyen.
- ! Soha ne hagyja a gyerekkocsit az úton, lejtőkön vagy veszélyes zónákban.
- ! Az esetleges fulladások megelőzése érdekében NE tegyen zsinórral ellátott tárgyakat a gyermek nyaka köré, ne függessen fel zsinórokat a gyerekágyra, és ne kössön zsinórokat a játékokra.
- ! Bármilyen teher amit a fogantyúra, a háttámlára és/vagy a jármű oldalára helyez, a gyerekkocsi stabilitását befolyásolhatja.
- ! NE emelje fel a gyerekkocsit amíg a gyerek a kocsiban van.
- ! NE használja a tároló kosarat gyerekhordozónak.
- ! Ahhoz, hogy megelőzze a feldőlést, soha ne hagyja a gyereket felmászni a gyerekkocsira. Mindig emelje be és ki a gyereket a gyerekkocsiból.
- ! Kerülje el az ujj becsípését, figyeljen oda amikor összehajtja vagy kinyitja a gyerekkocsit.
- ! FIGYELEM A sérülések elkerülése érdekében bizonyosodjon meg, hogy a gyerek távol van tartva amikor összehajtja vagy kinyitja a terméket.
- ! A gyerek biztonságának érdekében kérjük győződjön meg, hogy minden alkatrész össze van szerelve és megfelelően meg van húzva mielőtt a gyerekkocsit használja.
- ! Ahhoz, hogy megelőzze a fulladást, győződjön meg hogy a gyerek távol van az üléstől.

- ! Mindig használja a fékeket amikor leparkolja a gyerekkocsit.
- ! Ne használja tovább a gyerekkocsit ha sérült vagy törött.
- ! A gyerekkocsit csak lépésben használja. Ez a termék nem kocogásra készült.
- ! Égési sérülések elkerülése végett soha ne tegyen forró folyadékokat a pohártartóba.
- ! A fulladás elkerülése érdekében távolítsa el a műanyag zsákokat és a csomagolóanyagokat mielőtt használná a terméket. A műanyag zsák és a csomagolóanyagot tartsa távol csecsemőktől és gyerekektől.
- ! Ez a termék nem megfelelő kocogásra vagy görkorcsolyázásra.
- ! A születéstől használható gyerekkocsikat ajánlott a legjobban megdöntött helyzetben használni újszülött gyerekeknél.
- ! A parkoló eszközt kapcsolja be amikor behelyezi és kiveszi a gyereket.
- ! Az alvázzal együtt használt csecsemőhordozó esetén ez a jármű nem helyettesíti a kosarat vagy ágyat. Amennyiben a gyerekek alvásra van szüksége, egy megfelelő kocsiba, kosárba vagy ágyba kell helyezni.
- ! A hordozó kosár csak olyan gyerek számára megfelelő aki nem tud segítség nélkül ülni, átfordulni és nem tudja magát felnyomni térdre és könyökre. A gyerek maximális súlya: 9kg.
- ! NE használjon vagy ne adjon hozzá semmilyen matracot, mászt mint amit a hordozó kosárral szállítottak.
- ! Ne csatoljon elemeket a fogantyúhoz, üléstámlára vagy a gyerekkocsi oldalára. Bármilyen további teher a gyerekkocsi stabilitását befolyásolja és a gyerekkocsi felbillenését okozhatja.
- ! A gyerekágy 22kg-os vagy 4 éves gyerekeknek megfelelő, amelyik hamarabb bekövetkezik.

Gyerekkocsi összerakása

(Lásd az ábrákat az 1-9 oldalon levő ábrákat)

A termék használata és összeszerelése előtt kérjük olvassa el az útmutatóban lévő összes utasítást.

Gyerekkocsi kinyitása

lásd a képeket ① - ②

Különítse el a tároló reteszt a tároló retesz rögzítésétől ①, és utána emelje fel a fogantyút ②, egy kattató hang azt jelenti hogy a gyerekkocsi teljesen nyitva van.

! Ellenőrizze hogy a gyerekkocsi teljesen kinyitva rögzült, mielőtt tovább használná.

Első kerék összerakása és leszerelése

lásd a képeket ③ - ④

Hátulsó kerék összerakása és leszerelése

lásd a képeket ⑤ - ⑥

Rakja össze és szerelje le a karfát

lásd a képeket ⑦ - ⑧

Rakja össze az ülést

lásd a képeket ⑨ - ⑩

Pohártartó összerakása és leszerelése

lásd a képeket 11 - 12

A teljesen összeszerelt gyerekkocsit az ábra mutatja 13

Gyerekkocsi használata

Háttámla állítása

lásd a képeket 14 - 15

A háttámla 4 szögbe állítható.

A háttámla döntése

A háttámla döntéséhez szorítsa meg a döntő fogantyút az ülés hátoldalán és húzza le a háttámlát. 14

A háttámla emelése

A hátoldal felemelése 15

! Győződjön meg, hogy a döntés megfelelően van állítva a használathoz.

Használja a csatot

lásd a képeket 16- 17

Engedje ki a csatot

A csat kiengedéséhez nyomja meg a középső gombot. 16

Zárja le a csatot

Párosítsa a csípőhámszíjat a vállzárral 17 - 1, és kattintsa be a középső csatba. 17 - 2 A „kattanó” hang azt jelenti a csat teljesen zárva van. 17 - 3

! A kiesés vagy kicsúszás miatt bekövetkező komoly sérülések megelőzése érdekében mindig rögzítse a gyermeket hámszíjakkal.

! Győződjön meg, hogy a gyerek megfelelően biztosítva van. A gyerek és a vállhámszija közötti távolság körülbelül egy kézvastagságnyi.

! Ne keresztezze a vállpántokat. Ez nyomást gyakorol a gyerek nyakára.

Használja a váll és csípőhámszíjat

lásd a képeket 18 - 21

! Ahhoz hogy a gyermeket megvédje a kieséstől, miután a gyermeket behelyezte az ülésbe, ellenőrizze, hogy a váll és csípőhámszíjak megfelelő magasságban vannak és megfelelő hosszúságúak.

18 - 1 Vállhámszija rögzítő A

18 - 2 Vállhámszija rögzítő B

18 - 3 Csúszás állító

Nagyobb gyermek esetében használja az A vállhámszija rögzítőt és a legmagasabb vállpánt nyílást. Kisebb gyermek esetében használja a B vállhámszija rögzítőt és a legalacsonyabb vállpánt nyílást.

A vállhámszija rögzítő helyzetének állításához fordítsa a rögzítőt úgy, hogy szintben legyen és az oldala előre nézzen. Húzza át a vállhámszija nyíláson hátulról előre. 19

Húzza át újra azon a nyíláson amelyik a legközelebb áll a gyermek magasságához. 20

Használja a csúszás állítót, hogy a hámszija hosszán állítson. 21 - 1

Nyomja meg a gombot 21 - 2, miközben a csípőhámszíjat húzza a megfelelő hosszúságra. 21 - 3

Lábtartó állítása

lásd a képeket 22

A lábtartónak két helyzete van.

A lábtartó felemeléséhez nyomja felfele. A „kattanó” hang azt jelenti a lábtartó teljesen zárva van.

A lábtartó leengedéséhez nyomja meg az állító gombokat a lábtartó mindkét oldalán 22 - 1 és fordítsa a lábtartót lefele. 22 - 2

Első elfordító zár használata

lásd a képeket 23

Nyomja fel az első elfordító zárat, hogy megtartsa a mozgási irányt. 23

Tipp Egyetlen felületen ajánlott az elfordító zárok használata.

Fék használata

lásd a képeket 24 - 25

A kerekek rögzítéséhez lépjen rá lefele a fékkarra. 24

A kerekek felengedéséhez csak emelje fel a fékkart. 25

Tipp Mindig állítsa be a parkoló féket amikor a gyerekkocsi nem mozog.

Ülés használata

lásd a képeket 26

Az ülés kinyitható vagy lehajtható, húzza előre vagy hátra.

Az ülés teljesen kinyitható, hogy védje a gyereket a naptól, nyissa ki a zipzárt 26 , majd húzza az ülést előre.

Az ülésen van egy ablak, amin keresztül láthatja a gyereket.

A fogantyú állítása

lásd a képeket 27

A vállhámszíz borító és láb közötti hámszíz használata

lásd a képeket 28

A vállhámszíz borító vagy lábak közötti hámszíz borító 28 eltávolítható a hálóról. A vállhámszíz borító és a lábak közötti hámszíz borító fordított lépésekben összeszerelhető.

Hajtsa össze a gyerekkocsit

lásd a képeket 29 - 32

! Kérjük hajtsa le az ülést mielőtt összehajtaná a gyerekkocsit.

1. Húzza a hálót előre, a keret automatikusan hátracsukódik. 30 - 1
2. A tároló retesz automatikusan bezár a tároló rögzítőbe, majd a gyerekkocsi teljesen összehajtván és lezárva van. 31
3. A gyerekkocsi összehajtván felállítható. 32

Tartozékok használata

Tartozékokat árulhatnak külön vagy megtörténhet hogy nem elérhetők a régiótól függően.

Használat csecsemőhordozóval

lásd a képeket 33 - 39

Amikor Joie gemm, i-Gemm 2, i-Snug, i-Level csecsemőhordozóval használja, kérjük olvassa el az alábbi utasításokat.

- ! Mielőtt a csecsemőhordozót használná, kérjük győződjön meg, hogy a háttámla nincs a legalsó helyzetben és a csecsemőhordozó rögzítve van.
- ! Amennyiben problémája adódik a csecsemőhordozó használatával, kérjük olvassa el ezek kezelési útmutatóját.
- ! Kérjük ne hajtsa össze a gyerekkocsit, ha a csecsemőhordozó még mindig fel van szerelve.

Használat Joie hordozó kosárral

lásd a képeket 40 - 41

Amikor Joie ramble, ramble xl hordozó kosárral együtt használja, kérjük olvassa el az alábbi utasításokat.

- ! Amennyiben problémája adódik a hordozó kosár használatával, kérjük olvassa el ezek kezelési útmutatóját.
- ! A hordozó kosár használatakor mindig használjon matracot.
- ! Kérjük ne hajtsa össze a gyerekkocsit, amikor a hordozó kosarat csatolta.

Az eső elleni borító használata

lásd a képeket 42

Az eső elleni borító összeállításához helyezze a gyerekkocsi fölé, majd kapcsolja a össze a 8 pár horgot és a hurokszorítókat az eső elleni borítón. 42

- ! Mielőtt az eső elleni borítót használná, kérjük győződjön meg, hogy a háttámla nincs a legalsó helyzetben és a csecsemőhordozó rögzítve van.
- ! Amikor használja az eső elleni borítót, kérjük mindig ellenőrizze a szellőzést.
- ! Amikor nem használja, kérjük ellenőrizze hogy az eső elleni borítót megtisztította és megszáritotta mielőtt összehajtja.
- ! Az eső elleni borító használatakor ne hajtsa össze a gyerekkocsit.
- ! Meleg időben ne tegye a gyereket a gyerekkocsiba ha az eső elleni borítót felszerelte.

A lábtakaró használata

lásd a képeket 43 - 44

Tisztítás és karbantartás

lásd a képeket 45

- ! A gyerekkocsi keretet kizárólag háztartási szappannal és meleg vízzel tisztítsa meg. Ne használjon fehérítőt vagy mosószert. A gyerekkocsi szövettel bevont részeinek tisztítását illetően tekintse meg a kezelésre vonatkozó címkén lévő utasításokat.
- ! Rendszeres időközönként ellenőrizze, hogy nincsenek-e meglazult csavarok, elhasználódott alkatrészek, illetve elszakadt anyagdarabok vagy varrások a gyerekkocsin. Szükség esetén cserélje le vagy javítsa meg az alkatrészeket. Időszakosan törölje tisztára a műanyag részeket egy nedves puha ronggyal. Mindig szárítsa meg a fémrészeket, hogy megelőzze a rozsdázást, ha a gyerekkocsi vízzel érintkezett.
- ! Túlzott napfény vagy hő hatására az alkatrészek kifakulhatnak vagy deformálódhatnak.
- ! Ha a gyerekkocsi nedves lesz, nyissa ki az ülést és hagyja megszáradni tárolás előtt.
- ! Ha a kerekek nyikorognak, használjon olajat (pl. Szilikon spray, rozsdagátló olaj vagy varrógépolaj). Fontos hogy az olaj a tengelyre és a kerékhez jusson. 45
- ! Ha a gyerekkocsit strandon vagy nagyon homokos/poros helyen használja, használat után tisztítsa meg teljesen a gyerekkocsit hogy eltávolítsa a homokot és sót a fék és kerékrendszerből.

CZ Vítá vás značka Joie™

Blahopřejeme vám - stali jste se členy rodiny Joie! Jsme nadšení, že můžeme doprovázet vaše dítě na cestě. Při cestování s kočárkem Joie litetrax™ 4 dlx používáte kvalitní, plně certifikovaný kočárek schválený evropskými bezpečnostními normami EN 1888-2:2018. Tento produkt je vhodný pro děti do 22 kg nebo do 4 let (podle toho, co nastane dříve). Pozorně si přečtěte tento návod. Jeho dodržováním zajistíte pohodlnou jízdu a maximální ochranu svého dítěte.

DŮLEŽITÉ, POKYNY SI POZORNĚ PŘEČTĚTE A USCHOVEJTE PRO POZDĚJŠÍ POUŽITÍ.

Pro stažení návodů a více podrobností o vzrušujících výrobcích Joie nás navštivte na joiebaby.com!

Informace o záruce najdete na našem webu joiebaby.com

Obsah

Obrázky	1-9
UPOZORNĚNÍ	159
Sestavení kočárku	162
Otevřený kočárek	162
Montáž a sejmutí předního kolečka	162
Montáž a sejmutí zadního kolečka	162
Montáž a sejmutí opěrky rukou	162
Montáž stříšky	162

Montáž a sejmutí držáku na nápoje	163
Používání kočárku	163
Úprava opěraku	163
Použití spony	163
Použití ramenního postroje a postroje do pasu	164
Úprava opěrky nohou	165
Použití zámku natáčení předních koleček	165
Použití brzdy	165
Použití stříšky	165
Úprava držadla	166
Používání polstru ramenního postroje rozkrokového postroje	166
Rozložení kočárku	166
Použití příslušenství	166
Čištění a údržba	169

Stav nouze

V případě ohrožení nebo úrazu je nejdůležitější poskytnout vašemu dítěti okamžité ošetření a následnou lékařskou pomoc.

Informace o produktu

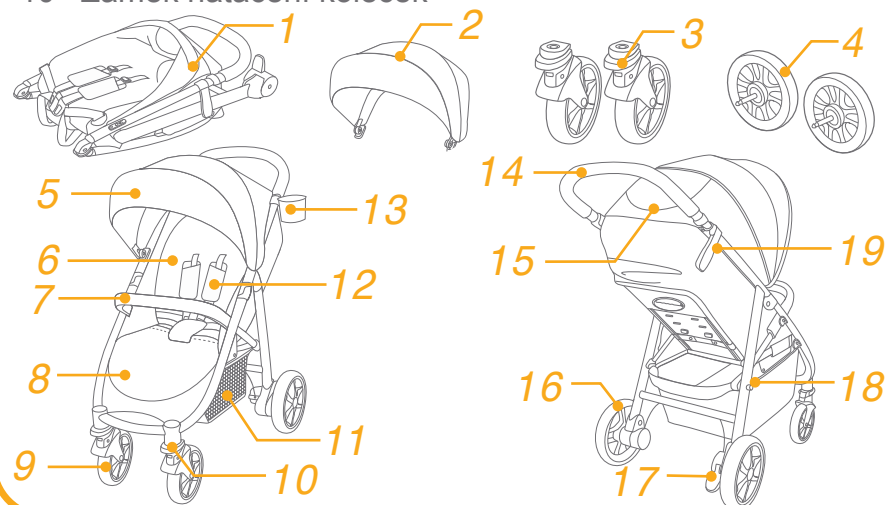
Před použitím výrobku si přečtěte všechny pokyny v tomto návodu. Máte-li další dotazy, kontaktujte prosím prodejce. Některé funkce se mohou lišit v závislosti na modelu.

Produkt	Kočárek Litetrax™ 4 dlx
Vhodný pro	Tento produkt je vhodný pro děti do 22 kg nebo do 4 let (podle toho, co nastane dříve).
Materiály	Plasty, kov, textilie
Č. patentu	Čeká na udělení patentu
Vyrobeno v	Čína
Značka	Joie
Webová stránka	www.joiebaby.com
Výrobce	Allison GmbH

Seznam dílů

Před instalací se prosím ujistěte, že žádná část sestavy nechybí. V případě, že některá část chybí, kontaktujte prodejce. K sestavení nejsou zapotřebí žádné nástroje.

- | | | | |
|----|------------------------|----|-------------------|
| 1 | Rám kočárku | 11 | Úložný košík |
| 2 | Stříška | 12 | Ramenní postroj |
| 3 | Přední kolečko | 13 | Držák na nápoje |
| 4 | Zadní kolečko | 14 | Rukojeť |
| 5 | Stříška | 15 | Okénko ve stříšce |
| 6 | Vložka sedačky | 16 | Zadní kolečko |
| 7 | Opěrka rukou | 17 | Páčka brzdy |
| 8 | Opěrka nohou | 18 | Úložný držák |
| 9 | Přední kolečko | 19 | Úložná západka |
| 10 | Zámek natáčení koleček | | |

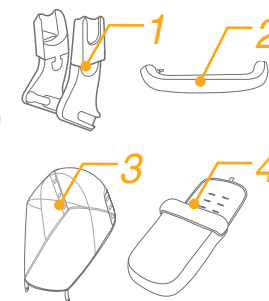


Příslušenství

(Nemusí být součástí)

- | | |
|---|--|
| 1 | Adaptér (u vybraných modelů) |
| 2 | Kryt opěrky rukou (u vybraných modelů) |
| 3 | Pláštěnka (u vybraných modelů) |
| 4 | Fusak (u vybraných modelů) |

Příslušenství se může prodávat zvlášť nebo nemusí být k dispozici v závislosti na regionu.



UPOZORNĚNÍ

- ! UPOZORNĚNÍ Vždy používejte zádržný systém. Je nezbytné správně používat bezpečnostní pásy a zádržné systémy.
- ! UPOZORNĚNÍ Před použitím si ověřte, že jsou všechny zajišťovací prvky zaklesnuty.
- ! UPOZORNĚNÍ Tento výrobek není hračka. Nedovolte dítěti, aby si s tímto výrobkem hrálo.
- ! UPOZORNĚNÍ Před použitím zkontrolujte, zda jsou připevňovací zařízení lůžka nebo sedačky nebo autosedačky správně zaklesnuta.
- ! Sestavení smí provést pouze dospělá osoba.
- ! Tento kočárek používejte pouze s dítětem o hmotnosti do 22kg. Při převážení nepřipoutaného dítěte dojde k poškození kočárku.
- ! Aby se zabránilo nebezpečné a nestabilní situaci, neumísťujte do úložného košíku více než 4,5 kg.
- ! Maximální doporučená nosnost v držáku na nápoje je 1 lb (0,5 kg).
- ! UPOZORNĚNÍ Nikdy nenechávejte dítě bez dozoru. Když je vaše dítě v kočárku, mějte jej vždy na očích.
- ! Na tomto kočárku převázejte pouze jedno dítě najednou. V žádném případě neumísťujte peněženky, nákupní tašky, balíky nebo příslušenství na držadlo nebo stříšku.
- ! Je zakázáno používat příslušenství, které nebylo schváleno výrobcem. Je dovoleno používat pouze náhradní díly, které byly dodány nebo doporučeny výrobcem.
- ! Přetěžování, nesprávné rozkládání nebo používání dílů jiných výrobců může způsobit poškození, rozbití nebo omezení bezpečnosti kočárku. Pozorně si přečtěte návod k použití.
- ! Před použitím tohoto výrobku si přečtěte všechny pokyny v tomto návodu. Uchovejte si tento návod pro budoucí použití. Nedodržení těchto výstrah a pokynů může vést k vážnému poranění nebo smrti.
- ! Aby se zabránilo pádu nebo vyklouznutí a vážnému zranění, vždy používejte bezpečnostní pás.
- ! Při nastavování kočárku zajistěte, aby se vaše dítě nacházelo mimo dosah pohyblivých částí.
- ! Než dítě pustíte ke kočárku, ujistěte se, že kočárek je zcela otevřený nebo rozložený.
- ! V případě nepoužití postroje může dítě sklouznout do otvorů pro nohy a zamotat se.
- ! V žádném případě nepoužívejte tento kočárek na schodech nebo eskalátorech.
- ! Nepoužívejte ani neparkujte výrobek v blízkosti otevřeného ohně ani jiných zdrojů tepla, jako jsou například radiátory.
- ! V žádném případě nedovolte svému dítěti, aby si na kočárku stoupalo nebo aby sedělo na kočárku hlavou dopředu.
- ! V žádném případě neumísťujte kočárek na silnice, svahy nebo nebezpečná místa.
- ! Aby se zabránilo uškrcení, NEUMÍSŤUJTE předměty s provázky okolo krku dítěte, nezavěšujte provázky z tohoto výrobku ani nepřivazujte provázky k hračkám.
- ! Jakákoli zátěž připevňovaná na držadlo a/nebo na zadní stranu opěraku a/nebo na boční strany vozidla snižuje jeho stabilitu.
- ! NEZVEDEJTE kočárek, pokud je dítě v kočárku.
- ! NEVOZTE dítě v úložném košíku.
- ! Aby se zabránilo převrácení, v žádném případě nedovolte dítěti, aby na kočárek šplhalo. Při vkládání a vyjímání z kočárku dítě vždy zvedněte.
- ! Aby se zabránilo skřípnutí prstů, postupujte při rozkládání a skládání kočárku opatrně.
- ! UPOZORNĚNÍ Při skládání a rozkládání tohoto výrobku zajistěte, aby dítě nebylo v kočárku ani poblíž a nemohlo dojít k poranění dítěte.
- ! Aby byla zajištěna bezpečnost vašeho dítěte, před použitím kočárku zkontrolujte, zda jsou všechny díly řádně sestaveny a zajištěny.
- ! Aby se zabránilo uškrcení, zajistěte, aby vaše dítě bylo mimo dosah stříšky.

- ! Při parkování kočárku vždy použijte brzdy.
- ! Pokud je některá část kočárku poškozená, nebo chybí, přestaňte kočárek používat.
- ! Tento kočárek lze používat pouze při rychlosti chůze. Tento výrobek není určen pro použití při kondičním běhání.
- ! Abyste zabránili popáleninám, nikdy neumísťujte do držáku na nápoje horké tekutiny.
- ! Před používáním tohoto výrobku odstraňte igelitový sáček a obalové materiály, aby se zabránilo udušení. Igelitový sáček a obalové materiály je třeba uchovávat mimo dosah novorozenců a dětí.
- ! Tento výrobek není vhodný pro běhání, nebo jízdu na bruslích.
- ! Tento kočárek je určen pro používání od narození. Pro novorozence doporučujeme používat největší sklon zádové opěrky.
- ! Při vkládání nebo vyjímání dětí musí být aktivováno parkovací zařízení.
- ! Používáte-li zádržný systém pro novorozence v kombinaci s podvozkem, toto vozidlo nenahrazuje postýlku ani lůžko. Když vaše dítě potřebuje spát, uložte jej do vhodné hluboké korby, postýlky nebo na vhodné lůžko.
- ! Toto hluboké lůžko je vhodné pouze pro dítě, které nedokáže sedět bez pomoci, nedokáže se přetočit a nedokáže se samo zvednout na ruku a koleno. Maximální hmotnost dítěte: 9 kg.
- ! NEPOUŽÍVEJTE ani nepřidávejte jinou matraci, než byla dodána s tímto hlubokým lůžkem.
- ! Pamatujte, že jakékoliv břemeno zavěšené na rukojeti, vzadu na opěradle, nebo na boku kočárku, ovlivňuje stabilitu kočárku.
- ! Tento produkt je vhodný pro děti do 22 kg nebo do 4 let (podle toho, co nastane dříve).

Sestavení kočárku

(Řiďte se prosím obrázky na straně 1-9)

Před montáží a použitím tohoto výrobku si přečtěte všechny pokyny v tomto návodu.

Otevřený kočárek

viz obrázky ① - ②

Oddělte úložnou západku od úložného držáku ① a potom zvedněte rukojeť nahoru ②. Jakmile se ozve cvaknutí, kočárek je zcela složený.

! Než budete pokračovat, zkontrolujte, zda je kočárek zcela zajištěný západkami

Montáž a sejmutí předního kolečka

viz obrázky ③ - ④

Montáž a sejmutí zadního kolečka

viz obrázky ⑤ - ⑥

Montáž a sejmutí opěrky rukou

viz obrázky ⑦ - ⑧

Montáž stříšky

viz obrázky ⑨ - ⑩

Montáž a sejmutí držáku na nápoje

viz obrázky 11 - 12

Zcela sestavený kočárek je zobrazen na obrázku 13

Používání kočárku

Úprava opěráku

viz obrázky 14 - 15

K dispozici jsou 4 polohy sklonu opěráku.

Sklopení opěráku

Pro náklon opěráku sevřete rukojeť náklonu na zadní straně sedačky a zatlačte na opěrák směrem dolů. 14

Zvednutí opěráku

Chcete-li opěrák zvednout, zatlačte jej nahoru. 15

! Ujistěte se, že náklon je řádně nastaven pro použití.

Použití spony

viz obrázky 16 - 17

Uvolnění spony

Stiskněte prostřední tlačítko pro odepnutí spony. 16

Zámek spony

Srovnejte sponu bederního pásu se sponou ramenního pásu 17 - 1 a zacvakněte do středové spony. 17 - 2 Jakmile se ozve „cvaknutí“, znamená to, že spona je zcela zajištěná. 17 - 3

! Aby se zabránilo pádu nebo vyklouznutí a vážnému zranění, vždy zajistěte své dítě postrojem.

! Ujistěte se, že dítě je pohodlně zajištěno. Mezi dítětem a ramenním postrojem musí být prostor přibližně na tloušťku jedné ruky.

! Nekřížte ramenní pásy. Tím se vytváří tlak na krk dítěte.

Použití ramenního postroje a postroje do pasu

viz obrázky 18 - 21

! Abyste vaše dítě ochránili před vypadnutím, po usazení dítěte do sedačky zkontrolujte, zda jsou ramenní a bederní postroj ve správné výšce a délce.

18 - 1 Kotva ramenního postroje A

18 - 2 Kotva ramenního postroje B

18 - 3 Posuvný regulátor

Pro větší dítě použijte kotvu ramenního postroje A a nejvyšší ramenní sloty. Pro menší dítě použijte kotvu ramenního postroje B a nejnižší ramenní sloty.

Pro úpravu pozice kotvy ramenního postroje otočte kotvu tak, aby byla v rovině s boční stranou směřující dopředu.

Protáhněte ji slotem ramenního postroje zezadu dopředu. 19

Znovu ji protáhněte slotem, který je nejbližší výšce ramene dítěte. 20

Pro změnu délky postroje použijte posuvný regulátor. 21 - 1

Stiskněte tlačítko 21 - 2, zatímco taháte za bederní postroj pro úpravu jeho délky. 21 - 3

Úprava opěrky nohou

viz obrázky 22

Opěrka nohou má 2 polohy.

Pro zvednutí opěrky nohou ji zatlačte směrem nahoru. Jakmile se ozve „cvaknutí“, znamená to, že opěrka je zcela zajištěná.

Pro snížení opěrky nohou stiskněte nastavovací tlačítka na obou stranách opěrky nohou 22 - 1 a otočte opěrku nohou směrem dolů. 22 - 2

Použití zámku natáčení předních koleček

viz obrázky 23

Zatlačte zámky natáčení předních koleček směrem nahoru pro udržení směru jízdy. 23

Tip Na nerovném povrchu doporučujeme zablokovat natáčení koleček.

Použití brzdy

viz obrázky 24 - 25

Pro zajištění koleček stlačte páčku brzdy směrem dolů. 24

Pro uvolnění koleček stačí zvednout páčku brzdy směrem nahoru. 25

Tip Když zastavíte, vždy použijte parkovací brzdou.

Použití stříšky

viz obrázky 26

Stříška může být rozložená nebo složená, zatáhněte dopředu nebo dozadu.

Stříšku lze zcela otevřít pro extrémní ochranu vašeho dítěte před sluncem, stačí rozepnout zip 26 a stáhnout stříšku dopředu.

Ve stříšce je okénko, kterým můžete své dítě sledovat.

Úprava držadla

viz obrázky 27

Používání polstru ramenního postroje a rozkrokového postroje

viz obrázky 28

Polstr ramenního postroje a rozkrokového postroje 28 lze sejmut z popruhu. Při nasazování polstru ramenního postroje a rozkrokového postroje postupujte podle stejných kroků v opačném pořadí.

Rozložení kočárku

viz obrázky 29 - 32

! Před rozložením kočárku složte stříšku.

1. Stiskněte pojistku na spodní straně sezení 29 a současně vytáhněte popruh skládání směrem nahoru, rám automaticky rozloží dozadu. 30 - 1
2. Když je kočárek zcela rozložen a zajištěn, úložná západka se automaticky zahákne do úložného úchyty. 31
3. Rozložený kočárek lze postavit. 32

Použití příslušenství

Příslušenství se může prodávat zvlášť nebo nemusí být k dispozici v závislosti na regionu.

Použití zádržného systému pro novorozence

viz obrázky 33 - 39

Při použití se zádržným systémem Joie gemm, i-Gemm 2, i-Snug, i-Level pro novorozence si prosím přečtěte následující pokyny.

- ! Před použitím zádržného systému pro novorozence zkontrolujte, zda je opěrák v nejnižší poloze a zda je zádržný systém pro novorozence upevněný.
- ! Máte-li problémy s použitím zádržného systému pro novorozence, přečtěte si prosím jeho vlastní pokyny k použití.
- ! Nerozkládejte kočárek s nasazeným zádržným systémem pro novorozence.

Použití s hlubokým lůžkem Joie

viz obrázky 40 - 41

Při použití s hlubokým lůžkem Joie ramble, ramble xl si prosím přečtěte následující pokyny.

- ! Máte-li problémy s použitím hlubokého lůžka, přečtěte si prosím jeho vlastní pokyny k použití.
- ! S hlubokým lůžkem vždy používejte matraci.
- ! Nerozkládejte kočárek s nasazeným hlubokým lůžkem.

Použití pláštěnky

viz obrázky 42

Chcete-li použít pláštěnku, nasadte ji na kočárek a potom připevněte 8 párů suchých zipů na pláštěnce. 42

- ! Před použitím pláštěnky zkontrolujte, zda je opěrák v nejnižší poloze a zda je zádržný systém pro novorozence upevněný.
- ! Při použití pláštěnky prosím vždy zkontrolujte její ventilaci.
- ! Před rozložením vždy zkontrolujte, zda byla pláštěnka očištěna a je suchá.
- ! Nerozkládejte kočárek s nasazenou pláštěnkou.
- ! V horkém počasí neumísťujte dítě do kočárku s nasazenou pláštěnkou.

Používání fusaku

viz obrázky 43 - 44

Čištění a údržba

viz obrázky 45

- ! K čištění rámu kočárku použijte pouze běžné mýdlo a teplou vodu. Nepoužívejte bělidlo ani detergent. Pokyny pro čištění textilních částí kočárku najdete na štítku s pokyny pro péči a údržbu.
- ! Pravidelně kontrolujte stav opotřebení součástí a případné uvolněné šrouby, potrhání materiálu nebo švů výrobku. Poškozené součásti podle potřeby vyměňte nebo opravte. Pravidelně čistěte plastové části měkkým vlhkým hadříkem. Kovové části vždy osušte, abyste zabránili tvorbě rzi, pokud kočárek přišel do kontaktu s vodou.
- ! Nadměrné vystavení slunci nebo teple může způsobit blednutí nebo deformování dílů.
- ! Pokud kočárek navlhne, otevřete stříšku a před uložením ho nechte důkladně oschnout.
- ! Pokud kolečka skřípají, použijte lehký olej (např. silikonový sprej, antikoroční olej nebo olej na šicí stroje). Je důležité namazat olejem nápravu koleček. 45
- ! Při použití kočárku na pláži nebo v jiném písčitém/prašném prostředí kočárek po použití zcela vyčistěte, abyste odstranili písek a sůl z mechanismů a nápravy koleček.

SK Vitajte v rodine Joie™

Blahoželáme k tomu, že ste sa stali súčasťou rodiny Joie! Sme nadšení, že sme súčasťou vašej cesty s vaším dieťaťom. Pri cestovaní s Joie litetrax™ 4 dlx používate kvalitný, plne certifikovaný kočík, schválený podľa európskych bezpečnostných noriem EN 1888-2:2018. Tento výrobok je vhodný pre deti od narodenia do 22 kg alebo 4 rokov, podľa toho, čo nastane skôr. Pozorne si prečítajte túto príručku a dodržiavajte všetky kroky na zabezpečenie pohodlnej jazdy a čo najlepšej ochrany svojho dieťaťa.

DÔLEŽITÉ - PRED POUŽITÍM PREČÍTAJTE POZORNE TENTO NÁVOD A USCHOVEJTE HO PRE BUDÚCU POTREBU.

Navštívte nás na joiebaby.com, kde si môžete stiahnuť manuály a pozrieť ďalšie zaujímavé výrobky spoločnosti Joie!

Informácie o záruke nájdete na našej webovej stránke joiebaby.com

Obsah

Obrázky	1 - 9
UPOZORNENIE	175
Zostavenie kočíka	178
Rozloženie kočíka	178
Zostavenie a odpojenie predného kolesa	178
Zostavenie a odpojenie zadného kolesa	178
Zostavenie a odpojenie držadla	178
Zostavenie plátennej striešky	178

Zostavenie a odpojenie držiaka na pohár	179
Prevádzka kočíka	179
Nastavenie operadla	179
Použitie spony	179
Použitie ramenných a bedrových popruhov	180
Nastavenie lýtkovej opierky	181
Použitie predného zámku otáčania	181
Použitie brzdy	181
Použitie plátennej striešky	181
Nastavenie rukoväte	182
Použitie krytu ramenných popruhov a krytu rozkrokového popruhu	182
Zloženie kočíka	182
Použitie príslušenstva	182
Čistenie a údržba	185

Núdzový stav

V prípade mimoriadnej udalosti alebo nehody je najdôležitejšie, aby bolo o vaše dieťa ihneď postarané v rámci prvej pomoci a lekárskeho ošetrovania.

Informácie o výrobku

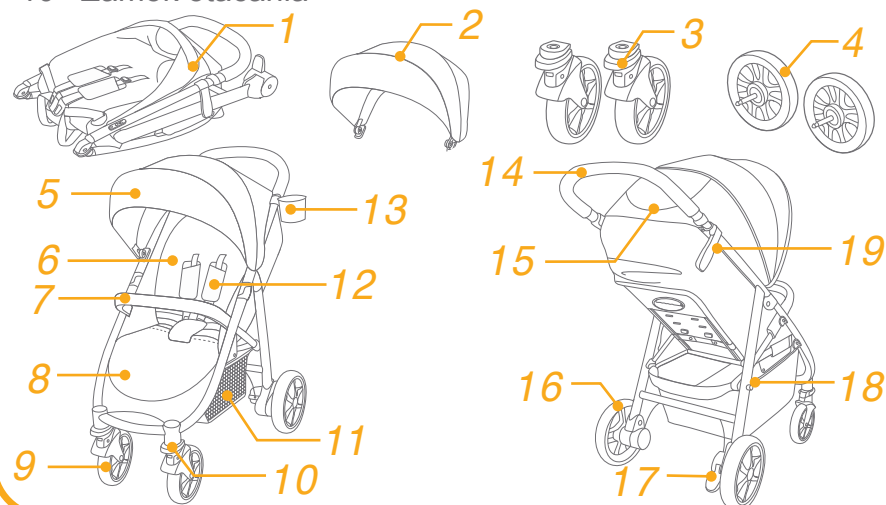
Pred používaním tohto výrobku si prečítajte všetky pokyny, ktoré sú v tejto príručke uvedené. V prípade akýchkoľvek ďalších otázok sa obráťte na predajcu. Niektoré funkcie sa môžu líšiť v závislosti od modelu.

Výrobok	Kočík Litetrax™ 4 dlx
Vhodný pre	Tento výrobok je vhodný pre deti od narodenia do 22 kg alebo 4 rokov, podľa toho, čo nastane skôr.
Materiály	Plast, kov, textil
Patent č.	Patentová prihláška sa prerokúva
Vyrobené v	Číne
Názov značky	Joie
Webová stránka	www.joiebaby.com
Výrobca	Allison GmbH

Zoznam dielov

Pred zostavením skontrolujte, či máte všetky časti. Ak chýba ktorákoľvek časť, obráťte sa na miestneho predajcu. Na zostavenie nie sú potrebné žiadne nástroje.

- | | | | |
|----|-------------------|----|--------------------------|
| 1 | Rám kočika | 11 | Úložný košík |
| 2 | Plátenná strieška | 12 | Ramenné popruhy |
| 3 | Predné koleso | 13 | Držiak na pohár |
| 4 | Zadné koleso | 14 | Rukoväť |
| 5 | Plátenná strieška | 15 | Otvor plátennej striešky |
| 6 | Čalúnenie sedačky | 16 | Zadné koleso |
| 7 | Držadlo | 17 | Brzdová páčka |
| 8 | Lýtková opierka | 18 | Držiak skladanie |
| 9 | Predné koleso | 19 | Západka skladanie |
| 10 | Zámok otáčania | | |

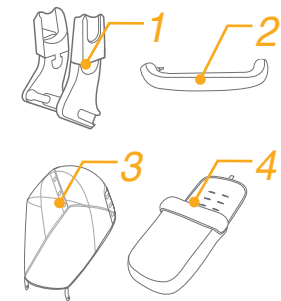


Príslušenstvo

(nemusí byť zahrnuté)

- | | |
|---|---------------------------------------|
| 1 | Adaptér (na niektorých modeloch) |
| 2 | Kryt držadla (na niektorých modeloch) |
| 3 | Pláštenka (na niektorých modeloch) |
| 4 | Fusak (na niektorých modeloch) |

Príslušenstvo sa môže predávať samostatne alebo nemusí byť k dispozícii v závislosti od oblasti.



UPOZORNENIE

- ! UPOZORNENIE Používajte vždy upevňovací systém. Bezpečnostné pásy a zadržiavacie systémy sa musia používať správne.
- ! UPOZORNENIE Pred používaním sa uistite, že všetky zaisťovacie zariadenia sú zaistené.
- ! UPOZORNENIE Tento výrobok nie je hračka. Nenechajte dieťa hrať sa s týmto výrobkom.
- ! UPOZORNENIE Pred použitím skontrolujte, či sú správne pripevnené upevňovacie zariadenia kočiarika, sedačky alebo autosedačky.
- ! Montáž musia vykonať dospelé osoby.
- ! Kočík používajte s dieťaťom, ktoré váži menej ako 22kg. S nevhodným dieťaťom dôjde k poškodeniu kočíka.
- ! Aby ste predišli nebezpečným a nestabilným podmienkam, do úložného košíka neumiestňujte veci s hmotnosťou viac ako 4,5kg.
- ! Maximálna odporúčaná hmotnosť v držiaku na pohár je 0,5 kg (1 libra).
- ! UPOZORNENIE Nikdy nenechávajte dieťa bez dozoru. Vždy, keď je dieťa v kočíku, majte naň dobrý výhľad.
- ! Kočík používajte naraz len pre jedno dieťa. Nikdy nepokladajte na rukoväť ani textilnú striešku peňaženky, nákupné tašky, balíky alebo prvky príslušenstva.
- ! Príslušenstvo, ktoré nie je schválené výrobcom, sa nesmie používať. Musia sa používať len náhradné diely dodávané alebo odporúčané výrobcom.
- ! Preťaženie, nesprávne zloženie alebo používanie komponentov iných výrobcov môže spôsobiť, že sa kočík poškodí, zlomí alebo že nebude bezpečný. Pozorne si prečítajte návod na použitie.
- ! Pred používaním tohto výrobku si prečítajte všetky pokyny, ktoré sú v príručke uvedené. Tento návod na použitie uložte pre budúce použitie. Nedodržanie týchto výstrah a pokynov môže viesť k vážnemu poraneniu alebo smrti.
- ! Aby nedošlo k vážnemu zraneniu v dôsledku vypadnutia či vykĺznutia, vždy používajte bezpečnostný pás.

- ! Pri nastavovaní kočíka sa uistite, že je telo dieťaťa mimo pohyblivých častí
- ! Skôr než necháte dieťa priblížiť sa ku kočíku, uistite sa, že je kočík úplne rozložený alebo zložený.
- ! Ak sa nepoužijú popruhy, dieťa môže vkĺznuť do otvorov pre nohy a uškrtiť sa.
- ! Nikdy nepoužívajte kočík na schodoch ani eskalátoroch.
- ! Nepoužívajte ani neparkujte výrobok v blízkosti otvoreného ohňa ani iných zdrojov tepla, ako sú napríklad radiátory.
- ! Nikdy nedovoľte, aby dieťa stálo na kočíku alebo v ňom sedelo hlavou smerujúcou k prednej časti kočíka.
- ! Nikdy nenechávajte kočík na cestách, svahoch alebo v nebezpečných oblastiach.
- ! Aby sa zabránilo uškrteniu, okolo krku dieťaťa NEUMIESTŇUJTE predmety so šnúrkami, šnúrky nenechajte visieť z tohto výrobku ani ich neuväzujte k hračkám.
- ! Akékoľvek zaťaženie pôsobiace na rukoväť a/alebo zadnú stranu operadla a/alebo na boky kočíka ovplyvní stabilitu kočíka.
- ! NEZDVÍHAJTE kočík, keď je v ňom dieťa.
- ! NEPOUŽÍVAJTE úložný košík ako nosič na dieťa.
- ! Aby ste predišli prevráteniu, nikdy nedovoľte, aby dieťa liezlo na kočík. Pri vkladaní dieťaťa do kočíka a vyberaní z neho ho vždy zdvihnite.
- ! Aby nedošlo k zachyteniu prstov, pri skladaní a rozkladaní kočíka buďte opatrní.
- ! UPOZORNENIE Pri rozopínaní a zapínaní (rozkladaní a skladaní) sa uistite, že dieťa nie je v kočiariku, aby ste predišli prípadnému úrazu.
- ! Aby ste zaistili bezpečnosť dieťaťa, pred používaním kočíka skontrolujte, či sú všetky diely riadne zostavené a dotiahnuté.
- ! Aby sa zabránilo uškrteniu, uistite sa, že je dieťa mimo textilnej striešky.

- ! Pri parkovaní kočíka vždy použite parkovaciu brzdu.
- ! Ak je niektorá časť kočíka poškodená, alebo chýba, prestaňte kočík používať.
- ! Kočík sa môže používať len pri rýchlosti chôdze. Tento výrobok nie je určený na používanie pri behaní.
- ! Aby ste predišli popáleninám, nikdy nevkładajte do držiaka na poháre horúce tekutiny.
- ! Aby ste predišli uduseniu, pred použitím tohto výrobku odstráňte plastové vrečko a obalové materiály. Plastové vrečko a obalové materiály sa potom musia uchovávať mimo dosahu detí.
- ! Tento výrobok nie je vhodný na behanie alebo korčuľovanie.
- ! Kočík je navrhnutý na používanie od narodenia a pre novo narodené deti sa odporúča používanie úplne sklopenej polohy chrbtovej opierky.
- ! Pri vkladaní a vyberaní detí sa musí aktivovať parkovacie zariadenie.
- ! Pre dojčenské detské autosedačky používané v spojení s rámom platí, že toto vozidlo nenahrádza postieľku ani posteľ. Ak vaše dieťa potrebuje spať, malo by sa umiestniť do vhodného telesa kočíka, postieľky alebo postele.
- ! Hlboká korba je vhodná len pre dieťa, ktoré nemôže sedieť bez pomoci, prevrátiť sa a nemôže sa vytlačiť na ruky a kolená. Maximálna hmotnosť dieťaťa: 9kg.
- ! NEPOUŽÍVAJTE ani nepridávajte žiadny iný matrac ako ten, ktorý sa dodáva s hlbokou korbou.
- ! Na rukoväť, operadlo sedadla ani boky kočíka nepripevňujte žiadne predmety. Akékoľvek dodatočné zaťaženie ovplyvní stabilitu kočíka a môže spôsobiť prevrátenie kočíka.
- ! Tento výrobok je vhodný pre deti od narodenia do 22 kg alebo 4 rokov, podľa toho, čo nastane skôr.

Zostavenie kočíka

(Pozrite si obrázky na strane 1 - 9)

Pred zostavením a používaním tohto výrobku si prečítajte všetky pokyny, ktoré sú v tejto príručke uvedené.

Rozloženie kočíka

pozrite si obrázky ① - ②

Oddel'te západku skladanie od držiaka skladanie ① a potom zdvihnite rukoväť ②, zvuk „cvaknutia“ znamená, že je kočík úplne rozložený.

! Pred pokračovaním v používaní skontrolujte, či sú západky na kočíku úplne zaistené.

Zostavenie a odpojenie predného kolesa

pozrite si obrázky ③ - ④

Zostavenie a odpojenie zadného kolesa

pozrite si obrázky ⑤ - ⑥

Zostavenie a odpojenie držadla

pozrite si obrázky ⑦ - ⑧

Zostavenie plátennej striedky

pozrite si obrázky ⑨ - ⑩

Zostavenie a odpojenie držiaka na pohár pozrite si obrázky 11 - 12

Úplne zostavený kočík je zobrazený na obrázku 13

Prevádzka kočíka

Nastavenie operadla

pozrite si obrázky 14 - 15

Operadlo má 4 uhly sklonu.

Sklonenie operadla

Ak chcete skloniť operadlo, stlačte rukoväť sklonu na zadnej časti sedačky a potiahnite operadlo nadol. 14

Zvýšenie operadla

Ak chcete operadlo zvýšiť, zatlačte nahor. 15

! Skontrolujte, či je sklon nastavený správne pre používanie.

Použitie spony

pozrite si obrázky 16 - 17

Rozopnutie spony

Stlačením stredného tlačidla rozopnete sponu. 16

Zaistenie spony

Zrovnajte sponu bedrového pásu s ramennou sponou 17 - 1 a zacvaknite do strednej spony. 17 - 2 Zvuk „cvaknutia“ znamená, že je spona úplne zaistená. 17 - 3

! Aby ste predišli vážnemu poraneniu v dôsledku pádu alebo vyklíznutia, vždy zaistite dieťa pomocou popruhov.

! Skontrolujte, či je dieťa pohodlne zaistené. Medzera medzi dieťaťom a ramennými popruhmi je široká asi na hrúbku jednej ruky.

! Neprekrížte ramenné pásy. Spôsobí to tlak na krk dieťaťa.

Použitie ramenných a bedrových popruhov

pozrite si obrázky 18 - 21

! Aby bolo vaše dieťa chránené pred vypadnutím, po umiestnení dieťaťa do sedadla skontrolujte, či sú ramenné a bedrové popruhy v správnej výške a či majú správnu dĺžku.

18 - 1 Kotva ramenného popruhu A

18 - 2 Kotva ramenného popruhu B

18 - 3 Posuvný nastavovací prvok

Pri väčšom dieťati použite kotvu ramenného popruhu A a najvyššie ramenné otvory. Pri menšom dieťati použite kotvu ramenného popruhu B a najnižšie ramenné otvory.

Ak chcete upraviť polohu kotvy ramenného popruhu, otočte kotvu tak, aby bola v rovine so stranou smerujúcou dopredu. Prevlečte ju cez otvor ramenného popruhu zozadu dopredu. 19 Znova ju prevlečte cez otvor, ktorý je najbližšie k výške ramena dieťaťa. 20

Na zmenu dĺžky popruhov použite posuvný nastavovací prvok. 21 - 1

Stlačte tlačidlo 21 - 2 a zároveň potiahnite bedrové popruhy na správnu dĺžku. 21 - 3

Nastavenie lýtkovej opierky

pozrite si obrázky 22

Lýtková opierka má 2 polohy.

Ak chcete lýtkovú opierku zvýšiť, zatlačte ju dohora. Zvuk „cvaknutia“ znamená, že je lýtková opierka úplne zaistená.

Ak chcete lýtkovú opierku znížiť, stlačte nastavovacie tlačidlá na oboch stranách lýtkovej opierky 22 - 1, a otočte lýtkovú opierku smerom nadol. 22 - 2

Použitie predného zámku otáčania

pozrite si obrázky 23

Vysuňte predné zámky otáčania, ak chcete udržiavať smer pohybu. 23

Tip Na nerovných povrchoch sa odporúča použitie zámkov otáčania.

Použitie brzdy

pozrite si obrázky 24 - 25

Stúpením na brzdovú páčku v smere nadol zablokujete kolesá. 24

Ak chcete kolesá uvoľniť, zdvihnite brzdovú páčku dohora. 25

Tip Vždy, keď sa kočík nepohybuje, zatahnite brzdovú páčku.

Použitie plátennej striešky

pozrite si obrázky 26

Plátennú striešku možno rozťahnuť alebo zložiť, potiahnite ju dopredu alebo dozadu.

Plátennú striešku možno úplne rozložiť, aby čo najviac chránila dieťa pred slnkom, stačí rozopnúť zips 26 a potom vytiahnuť plátennú striešku smerom dopredu.

V plátennej strieške je priezor, cez ktorý môžete vidieť na dieťa.

Nastavenie rukoväte

pozrite si obrázky 27

Použitie krytu ramenných popruhov a krytu rozkrokového popruhu

pozrite si obrázky 28

Kryt ramenných popruhov alebo kryt rozkrokového popruhu sa 28 dá vybrať z popruhov. Ak chcete zostaviť kryt ramenných popruhov a kryt rozkrokového popruhu, postupujte v opačnom poradí krokov.

Zloženie kočíka

pozrite si obrázky 29 - 32

! Pred zložením kočíka zložte plátennú striešku.

1. Stlačte poistku na spodnej strane sedenie 29 a súčasne vytiahnite popruh skladania smerom nahor, rám sa automaticky zloží dozadu. 30 - 1
2. Západka úložného priestoru sa automaticky zachytí o držiak úložného priestoru a potom bude kočík zložený a úplne zaistený. 31
3. Kočík môže po zložení stáť. 32

Použitie príslušenstva

Príslušenstvo sa môže predávať samostatne alebo nemusí byť k dispozícii v závislosti od oblasti.

Použitie s dojčenskou detskou autosedačkou

pozrite si obrázky 38 - 39

Pri použití s dojčenskou detskou autosedačkou Joie gemm, i-Gemm 2, i-Snug, i-Level si pozrite nasledujúce pokyny.

- ! Pred použitím dojčenskej detskej autosedačky sa uistite, že je opierka nastavená do najnižšej polohy a že dojčenská detská autosedačka bola pripútaná.
- ! Pri akýchkoľvek problémoch s používaním dojčenskej detskej autosedačky si pozrite jej návod na použitie.
- ! Neskladajte kočík so stále pripevnenou dojčenskou detskou autosedačkou.

Použitie s hlbokou korbou Joie

pozrite si obrázky 40 - 41

Pri použití s hlbokou korbou Joie ramble, ramble xl si pozrite nasledujúce pokyny.

- ! Pri akýchkoľvek problémoch s používaním hlbokej korby si pozrite jej návod na použitie.
- ! Pri používaní hlbokej korby vždy používajte matrac.
- ! Pri pripájaní hlbokej korby neskladajte kočík.

Použitie pláštenky

pozrite si obrázky 42

Ak chcete zostaviť pláštenku, položte ju na kočík a potom pripevnite 8 páry háčikových a pútkových upínačov na pláštenke. 42

- ! Pred použitím pláštenky sa uistite, že je opierka nastavená do najnižšej polohy a že dojčenská detská autosedačka bola pripútaná.
- ! Pri používaní pláštenky vždy skontrolujte vetranie.
- ! Keď sa nepoužíva, pred zložením skontrolujte, či je pláštenka vyčistená a vysušená.
- ! Neskladajte kočík s nasadenou pláštenkou.
- ! V horúcom počasí nedávajte svoje dieťa do kočíka s nasadenou pláštenkou.

Použitie fusaku

pozrite si obrázky 43 - 44

Čistenie a údržba

pozrite si obrázky 45

- ! Na čistenie rámu kočíka používajte len domáce mydlo a teplú vodu. Žiadne bielidlo ani čistiaci prostriedok. Pokyny na čistenie textilných častí kočíka nájdete na štítku s návodom na ošetrovanie.
- ! Občas skontrolujte, či na kočíku nie sú povolené skrutky, opotrebované súčasti, roztrhnutý alebo rozpáraný materiál. Tieto súčasti vymeňte alebo opravte. Pravidelne utierajte plastové časti dočista mäkkou navlhčenou handričkou. Vždy osušte kovové časti, aby sa zabránilo tvorbe hrdze, ak sa kočík dostal do styku s vodou.
- ! Nadmerné vystavenie slnečnému žiareniu alebo teplu môže spôsobiť vyblednutie alebo deformáciu častí.
- ! Ak je kočík vlhký, roztiahnite plátennú striešku a nechajte ho pred uskladnením dôkladne vysušiť.
- ! Ak kolesá pískajú, použite jemný olej (napr. silikónový sprej, antikorózný olej alebo olej do šijacieho stroja). Je dôležité, aby sa olej dostal do zostavy osky a kolesa. 45
- ! Pri používaní kočíka na pláži alebo v iných piesočnatých/prašných prostrediach ho po použití úplne vyčistite, aby ste odstránili piesok a soľ z mechanizmov a zostáv kolies.

SL Dobrodošli pri znamki Joie™

Čestitamo vam, da ste postali član družine Joie! Veseli nas, da bomo del vašega življenja z malčkom. Ko potujete z vozičkom Joie litetrax™ 4 dlx, uporabljate visokokakovosten, v celoti certificiran otroški voziček, ki je odobren v skladu z evropskim varnostnim standardom EN 1888-2:2018. Ta izdelek je primeren za otroke s telesno težo do 22 kg ali otroke, ki so stari do 4 let, karkoli nastopi prej. Natančno preberite ta navodila in upoštevajte vse korake, da boste zagotovili udobno vožnjo in najboljšo zaščito za svojega otroka.

POMEMBNO – NATANČNO PREBERITE IN SHRANITE ZA POZNEJŠO UPORABO.

Obiščite spletno stran joiebaby.com, kjer lahko prenesete navodila in si ogledate tudi druge vznemirljive izdelke Joie!

Informacije o garanciji najdete na spletni strani joiebaby.com.

Vsebina

Slike	1–9
OPOZORILO	191
Sestavljanje otroškega vozička	194
Odpiranje otroškega vozička	194
Sestavljanje in odstranjevanje sprednjega kolesa	194
Sestavljanje in odstranjevanje zadnjega kolesa	194
Sestavljanje in odstranjevanje naslonjala za roke	194
Sestavljanje strehice	194

Sestavljanje in odstranjevanje držala za plastenke	195
Upravljanje otroškega vozička	195
Nastavitev naslonjala	195
Uporaba zaponke	195
Uporaba ramenskega in trebušnega varnostnega pasu	196
Nastavitev podpore za meča	197
Uporaba zaklepa sprednjih vrtljivih koles	197
Uporaba zavore	197
Uporaba strehice	197
Nastavitev ročaja	198
Uporaba prevlek za ramenska pasova in mednožni pas	198
Zlaganje otroškega vozička	198
Uporaba dodatne opreme	198
Čiščenje in vzdrževanje	201

V nujnem primeru

V nujnem primeru ali v primeru nesreče je pomembno, da otroku takoj nudite prvo pomoč in obiščete zdravnika.

Informacije o izdelku

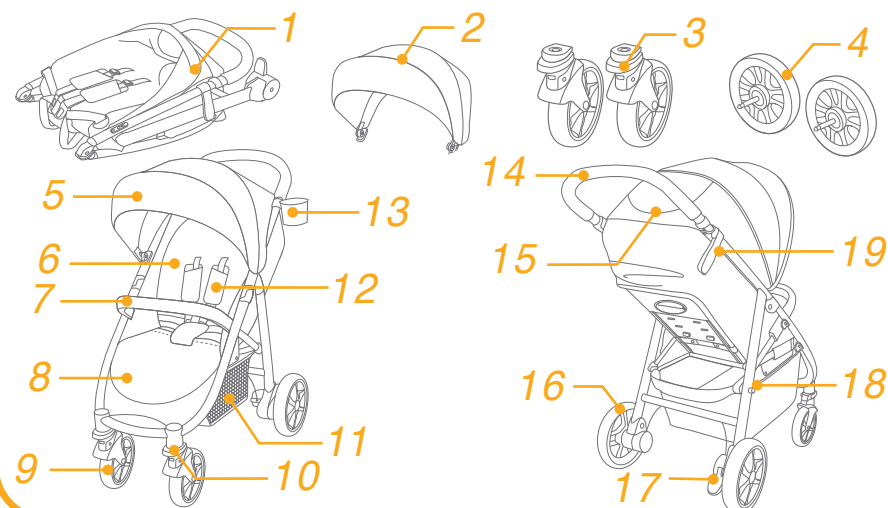
Pred uporabo izdelka preberite navodila v tem priročniku. Če imate dodatna vprašanja, se obrnite na trgovca. Nekatere funkcije so odvisne od modela.

Izdelek	Otroški voziček Litetrax™ 4 DLX
Ustreznost	Ta izdelek je primeren za otroke s telesno težo do 22 kg ali otroke, ki so stari do 4 let, karkoli nastopi prej.
Materiali	Plastika, kovina, tkanina
Št. patenta	V postopku pridobitve patenta
Država izdelave	Kitajska
Ime blagovne znamke	Joie
Spletna stran	www.joiebaby.com
Proizvajalec	Allison GmbH

Seznam delov

Prepričajte se, da imate pred sestavljanjem izdelka na voljo vse dele. Če kateri del manjka, se obrnite na lokalnega prodajalca. Za sestavljanje izdelka ne potrebujete nobenega orodja.

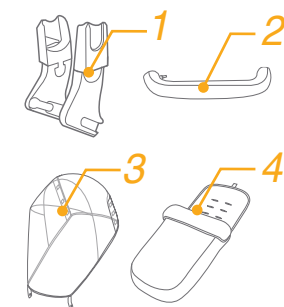
- | | | | |
|----|------------------------|----|------------------------|
| 1 | Okvir vozička | 11 | Nakupovalna košara |
| 2 | Strehica | 12 | Ramenski varnostni pas |
| 3 | Sprednje kolo | 13 | Držalo za plastenke |
| 4 | Zadnje kolo | 14 | Ročaj |
| 5 | Strehica | 15 | Okno na strehici |
| 6 | Sedežna blazina | 16 | Zadnje kolo |
| 7 | Naslonjalo za roke | 17 | Vzvod zavore |
| 8 | Podpora za meča | 18 | Držalo za shranjevanje |
| 9 | Sprednje kolo | 19 | Zaklep za shranjevanje |
| 10 | Zaklep vrtljivih koles | | |



Dodatna oprema (Morda ni priložena)

- | | |
|---|--|
| 1 | Prilagodilnik (pri določenih modelih) |
| 2 | Naslonjalo za roke (pri določenih modelih) |
| 3 | Dežno pregrinjalo (pri določenih modelih) |
| 4 | Zimska vreča (pri določenih modelih) |

Dodatna oprema je na prodaj ločeno ali ni na voljo v vseh regijah.



OPOZORILO

- ! OPOZORILO Vedno uporabljajte sistem za zadrževanje otrok. Varnostne pasove in sisteme zadrževanja uporabljajte pravilno.
- ! OPOZORILO Pred uporabo se prepričajte, da so vse zaklepne naprave aktivirane.
- ! OPOZORILO Otroci se ne smejo igrati z izdelkom.
- ! OPOZORILO Pred uporabo preverite, ali so ohišje otroškega vozička ali priključne naprave za lupinico pravilno aktivirani.
- ! Izdelek mora sestaviti odrasla oseba.
- ! Ta izdelek je primeren za otroke s telesno težo do 22 kg ali otroke, ki so stari do 4 let, karkoli nastopi prej. Če je otrok težji, se voziček poškoduje.
- ! Da preprečite nevarno in nestabilno stanje, je največja dovoljena obremenitev nakupovalne košare 4,5 kg.
- ! Največja priporočena teža v držalu za plastenke je 0,5 kg.
- ! OPOZORILO Otroka nikoli ne puščajte brez nadzora. Ko je otrok v vozičku, ga imejte vedno na očeh.
- ! Otroški voziček lahko uporablja le en otrok naenkrat. Nikoli ne odlagajte torbic, nakupovalnih vrečk, paketov ali dodatkov na ročaj ali strehico.
- ! Dodatne opreme, ki je ni odobril proizvajalec, ni dovoljeno uporabljati. Uporabljajte le nadomestne dele, ki jih dobavlja oziroma priporoča proizvajalec.
- ! Preobremenitev, napačno zlaganje ali uporaba delov drugih proizvajalcev lahko povzroči poškodbe otroškega vozička oziroma nevarnost pri uporabi. Priročnik z navodili natančno preberite.
- ! Pred uporabo izdelka preberite navodila v priročniku in jih shranite za poznejšo uporabo. Neupoštevanje teh opozoril in navodil lahko povzroči resne telesne poškodbe ali smrt.
- ! Vedno uporabljajte varnostni pas, da preprečite resne poškodbe zaradi padca ali zdrsa otroka iz vozička.

- ! Prepričajte se, da je telo otroka umaknjeno od premičnih delov, ko spreminjate nastavitve vozička.
- ! Preden otroku dovolite v bližino vozička, se prepričajte, da je voziček popolnoma odprt ali zložen.
- ! Če ne uporabljate varnostnega pasu, lahko otrok zdrsne v odprtino za noge in se zaduši.
- ! Vozička nikoli ne uporabljajte na stopnicah ali tekočih stopnicah.
- ! Pazite, da izdelek ne bo v bližini vročih predmetov, tekočin in elektronike.
- ! Otroku ne dovolite, da v vozičku stoji ali sedi tako, da je z glavo obrnjen proti sprednjemu delu vozička.
- ! Vozička nikoli ne postavljajte na cesto, klančino ali druga nevarna območja.
- ! Da se izognete zadužitvi, NE polagajte predmetov z vrvico okoli otrokovega vratu, ne obešajte vrvic na ta izdelek oziroma na igrače ne pritrjujte vrvic.
- ! Kakršno koli breme, pritrjeno na ročaj in/ali hrbtni del naslonjala in/ali na stranska dela otroškega vozička, bo vplivalo na stabilnost otroškega vozička.
- ! Vozička NE dvigujte, če je v njem otrok.
- ! Nakupovalne košare NE uporabljajte za prevažanje otroka.
- ! Da se voziček ne bo prekucnil, nikoli ne pustite otroku, da pleza v voziček. Otroka vedno odložite in dvignite iz vozička.
- ! Pri zlaganju in pripravi vozička pazite, da si ne uščipnete prstov.
- ! OPOZORILO Med odpiranjem in zlaganjem tega izdelka se prepričajte, da v bližini ni otrok, in tako preprečite telesne poškodbe.
- ! Da bi zagotovili varnost otroka, se prepričajte, da so vsi deli pravilno sestavljeni in nameščeni, preden voziček uporabite.
- ! Da preprečite zadušitev, poskrbite, da otrok ne pride v stik s strehico.

- ! Kadar parkirate voziček, vedno aktivirajte zavoro.
- ! Če se voziček poškoduje ali zlomi, ga ne uporabljajte več.
- ! Voziček lahko uporabljate samo med hojo. Ta izdelek ni namenjen za uporabo med tekom.
- ! Da se izognete opeklinam, v držala za skodelice nikoli ne postavljajte vročih tekočin.
- ! Da se izognete zadužitvi, pred uporabo odstranite plastično vrečko in embalažni material. Plastično vrečko in embalažni material morate nato hraniti stran od dojenčkov in otrok.
- ! Izdelek ni primeren za uporabo pri teku ali rolanju.
- ! Pri vozičku, namenjenemu za uporabo od rojstva, priporočamo uporabo najbolj ležečega položaja za novorojenčke.
- ! Pri nameščanju in jemanju otroka iz vozička aktivirajte parkirno napravo.
- ! Pri uporabi lupinice s podvozjem upoštevajte, da ta voziček ne nadomešča zibelke ali postelje. V času spanja odložite otroka v primerno košaro otroškega vozička, zibelko ali posteljo.
- ! Košaro za voziček prenehajte uporabljati takoj, ko otrok lahko sedi sam, se prekotali oziroma se dvigne na roke in kolena. Največja teža otroka: 9 kg.
- ! Ne uporabljajte dodatne vzmetnice, razen če to priporoča proizvajalec.
- ! Na ročaj, hrbtišče ali ob strani vozička ne pritrjujte ničesar. Vsakršna dodatna obremenitev vpliva na stabilnost vozička in lahko povzroči, da se voziček prekucne.

Sestavljanje otroškega vozička

(Glejte slike na straneh 1–9.)

Pred sestavljanjem in uporabo izdelka preberite navodila v tem priročniku.

Odpiranje otroškega vozička

Glejte slike ①–②

Zaklep za shranjevanje ločite od držala za shranjevanje ① in nato ročaj dvignite. ② Slišen klik pomeni, da je otroški voziček popolnoma odprt.

! Pred nadaljnjo uporabo preverite, ali je voziček popolnoma razprt.

Sestavljanje in odstranjevanje sprednjega kolesa

Glejte slike ③–④

Sestavljanje in odstranjevanje zadnjega kolesa

Glejte slike ⑤–⑥

Sestavljanje in odstranjevanje naslonjala za roke

Glejte slike ⑦–⑧

Sestavljanje strehice

Glejte slike ⑨–⑩

Sestavljanje in odstranjevanje držala za plastenke

Glejte slike 11–12

Popolnoma sestavljen otroški voziček je prikazan na sliki 13.

Upravljanje otroškega vozička

Nastavitev naslonjala

Glejte slike 14–15

Hrbtno naslonjalo lahko namestite v 4 kote nagiba.

Spuščanje naslonjala

Če želite naslonjalo spustiti, stisnite ročaj za nagib, ki je na hrbtne strani sedeža, in naslonjalo potisnite navzdol. 14

Dvigovanje naslonjala

Če želite naslonjalo dvigniti, ga potisnite navzgor. 15

! Prepričajte se, da je naslonjalo ustrezno nameščeno za uporabo.

Uporaba zaponke

Glejte slike 16–17

Sprostitev zaponke

Pritisnite sredinski gumb, da sprostite zaponko. 16

Zapenjanje zaponke

Zaponko trebušnega pasu poravnajte z zaponko ramenskih pasov 17 - 1 in ju vstavite v sredinsko zaponko, da se zaskočita. 17 - 2 Slišen klik pomeni, da je zaponka popolnoma zaklenjena. 17 - 3

! Otroka vedno pripnite z varnostnim pasom, da preprečite resne telesne poškodbe zaradi padca ali zdrsa otroka iz vozička.

! Prepričajte se, da je otrok trdno pripet. Med otrokom in ramenskim varnostnim pasom je lahko prostora za približno debelino ene roke.

! Ramenskih pasov ne prekrížajte. V nasprotnem primeru bodo pasovi obremenili otrokov vrat.

Uporaba ramenskih in trebušnega varnostnega pasu

Glejte slike 18–21

! Da otroka zaščitite pred padcem iz vozička, ko že sedi v njem, preverite, ali sta ramenska in trebušni varnostni pas na ustrezni višini in ustrezno dolga.

18 - 1 Zaponka ramenskega varnostnega pasu A

18 - 2 Zaponka ramenskega varnostnega pasu B

18 - 3 Nastavek za nastavitev zaponke

Pri večjih otrocih uporabite ramenska pasova z zaponko A in najvišje ramenske reže. Pri manjših otrocih uporabite ramenska pasova z zaponko B in nižje ramenske reže.

Položaj ramenskega pasu z zaponko prilagodite tako, da je zaponka poravnana s stranjo, obrnjeno naprej. Povlecite ga skozi režo za ramenski pas od zadaj proti naprej. 19 Ponovno ga povlecite skozi režo, ki je najbližje višini ramen otroka. 20

Uporabite nastavek za nastavitev zaponke, da spremenite dolžino pasu. 21 - 1

Pritisnite gumb 21 - 2 in hkrati povlecite trebušni varnostni pas na zeleno dolžino. 21 - 3

Nastavitev podpore za meča

Glejte slike 22

Podporo za meča je mogoče namestiti v 2 položaja.

Če želite dvigniti podporo za meča, jo potisnite navzgor. Slišen klik pomeni, da je podpora popolnoma zaklenjena.

Če želite znižati podporo za meča, nastavitvena gumba na obeh straneh podpore za meča 22 - 1 in podporo za meča zavrtite navzdol. 22 - 2

Uporaba zaklepa sprednjih vrtljivih koles

Glejte slike 23

Zaklep sprednjih vrtljivih koles potisnite navzgor, da ohranite smer gibanja. 23

Nasvet Na neravnih površinah priporočamo uporabo zaklepa vrtljivih koles.

Uporaba zavore

Glejte slike 24–25

Če želite zakleniti kolesa, z nogo potisnite vzvod zavore navzdol. 24

Če želite odkleniti kolesa, dvignite vzvod zavore. 25

Nasvet Kadar se otroški voziček ne premika, vedno aktivirajte parkirno zavoro.

Uporaba strehice

Glejte slike 26

Strehica je lahko odprta ali zaprta, kar pomeni, da jo povlecite naprej ali nazaj.

Strehica je lahko odprta, da vašega otroka popolnoma zaščiti pred soncem. Preprosto odprite zadrgo 26 in strehico povlecite naprej.

Na strehici je okno, skozi katero lahko opazujete otroka.

Nastavitev ročaja

Glejte slike 27

Uporaba prevlek za ramenska pasova in mednožni pas

Glejte slike 28

Prevleko za ramenski in mednožni pas 28 lahko odstranite s pasu. Za namestitev prevleke za ramenski in mednožni pas postopajte v obratnem vrstnem redu.

Zlaganje otroškega vozička

Glejte slike 29–32

! Preden voziček zložite, zložite strehico.

1. Omrežje za zlaganje povlecite navzgor in okvir se bo samodejno zložil. 30 - 1

2. Zaklep za shranjevanje se bo samodejno zaskočil na držalo za shranjevanje. Takrat je otroški voziček popolnoma zložen in zaklenjen. 31

3. Ko je otroški voziček zložen, lahko stoji. 32

Uporaba dodatne opreme

Dodatna oprema je na voljo ločeno ali ni na voljo v vseh regijah.

Uporaba z lupinico

Glejte slike 33–39

Kadar otroški voziček uporabljate z lupinicami Joie Gemm, i-Gemm 2, i-Snug, i-Level, upoštevajte naslednja navodila.

- ! Pred uporabo lupinice se prepričajte, da je hrbtno naslonjalo v najnižjem položaju in da je sistem za zadrževanje otroka pritrjen.
- ! Če imate težave pri uporabi lupinice, glejte navodila za uporabo lupinice.
- ! Vozička ne zlagajte, če je lupinica še nameščena.

Uporaba s košaro za voziček Joie

Glejte slike 40–41

Kadar otroški voziček uporabljate s košaro za voziček ramble, ramble xl, upoštevajte naslednja navodila.

- ! Če imate težave pri uporabi košare za voziček, glejte navodila za uporabo lupinice.
- ! Kadar uporabljate košaro za voziček, vedno uporabljate vzmetnico.
- ! Kadar je košara za voziček nameščena, vozička ne zlagajte.

Uporaba dežnega pregrinjala

Glejte slike 42

Dežno pregrinjalo namestite tako, da ga namestite čez voziček. Nato 8 parov kavljev in zank pritrдите na dežno pregrinjalo. 42

- ! Pred uporabo dežne prevleke se prepričajte, da je hrbtno naslonjalo v najnižjem položaju in da je sistem za zadrževanje otroka pritrjen.
- ! Pri uporabi dežnega pregrinjala vedno preverite prezračevanje.
- ! Ko dežne prevleke ne uporabljate, jo očistite, posušite in nato zložite.
- ! Ne zlagajte vozička, če ste namestili dežno pregrinjalo.
- ! Ne nameščajte otroka v voziček z nameščenim dežnim pregrinjalom, kadar je vroče.

Uporaba zimske vreče

Glejte slike 43–44

Čiščenje in vzdrževanje

Glejte slike 45

- ! Za čiščenje okvirja vozička uporabljajte samo gospodinjsko milo in toplo vodo. Ne uporabljajte belila ali detergenta. Za navodila glede čiščenja tekstilnih delov vozička glejte oznako za vzdrževanje.
- ! Občasno voziček preglejte zaradi morebitnih odvitih vijakov, obrabljenih delov, strganih materialov ali šivov. Po potrebi dele zamenjajte ali popravite. Plastične dele občasno obrišite z vlažno mehko krpo. Kovinske dele vedno obrišite do suhega, da preprečite rjavenje zaradi stika vozička z vodo.
- ! Pretirana izpostavljenost soncu ali vročini lahko povzroči bledenje posameznih delov tkanine in izgubo oblike.
- ! Če je voziček moker, odprite strehico in počakajte, da se popolnoma posuši, preden ga shranite.
- ! Če kolesa škripajo, uporabite lahko olje (npr. silikonsko olje proti rjavenju v pršilu ali olje za šivalni stroj). Pomembno je, da olje kanete v sklop osi in koles. 45
- ! Kadar otroški voziček uporabljate na plaži ali območjih, kjer je veliko prahu/peska, ga po uporabi temeljito očistite, da odstranite pesek in sol iz mehanizmov in sklopov koles.



Joie™

Allison GmbH
Adam-Opel-Straße 21 67227
Frankenthal

bring the kids™

Share the joy at joiebaby.com

P-IM0392N