

# Joie™ signature

---

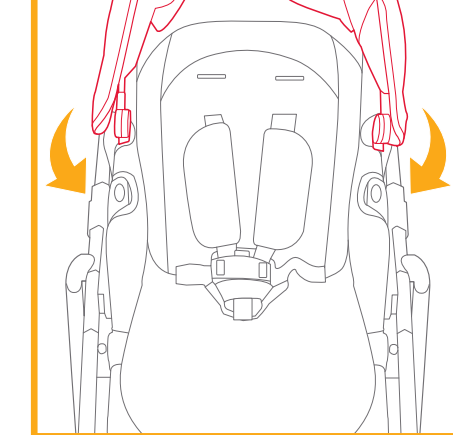
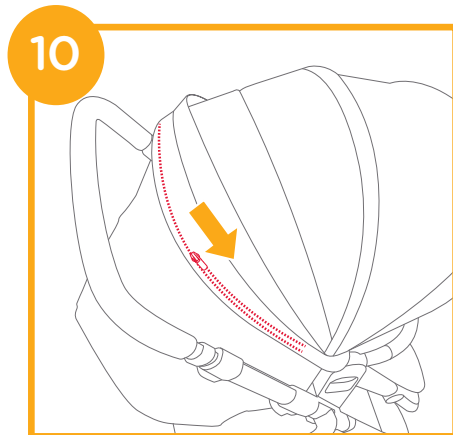
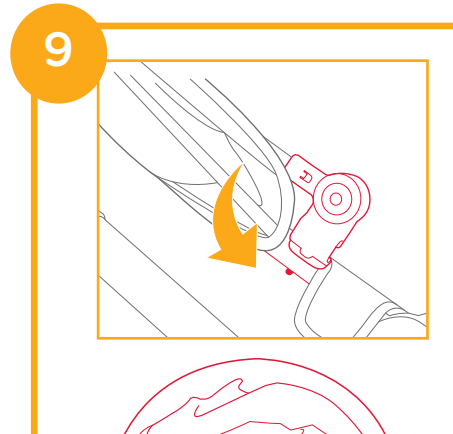
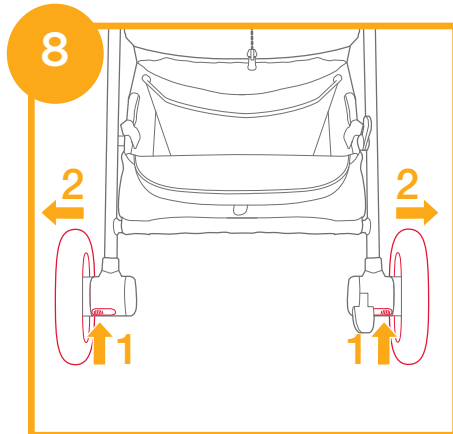
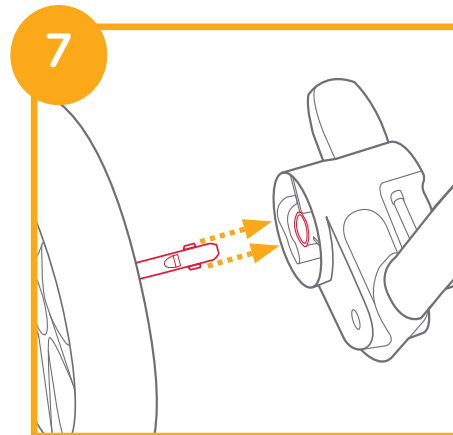
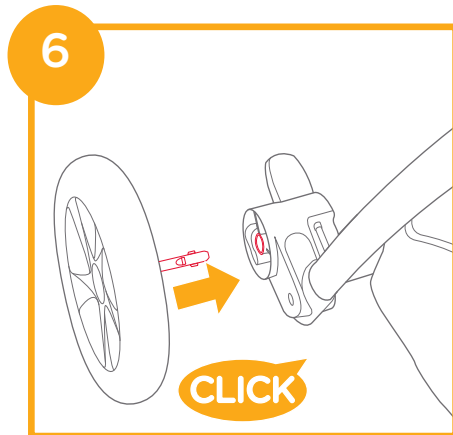
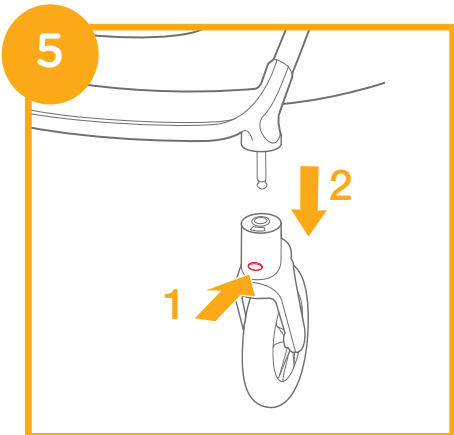
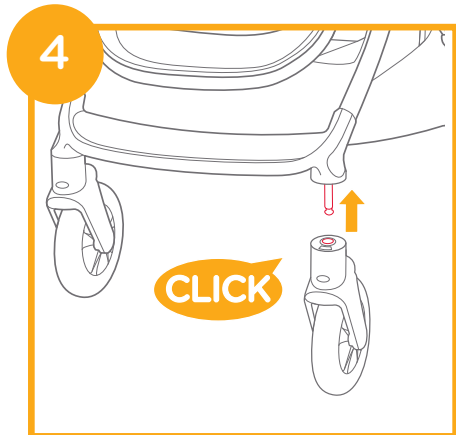
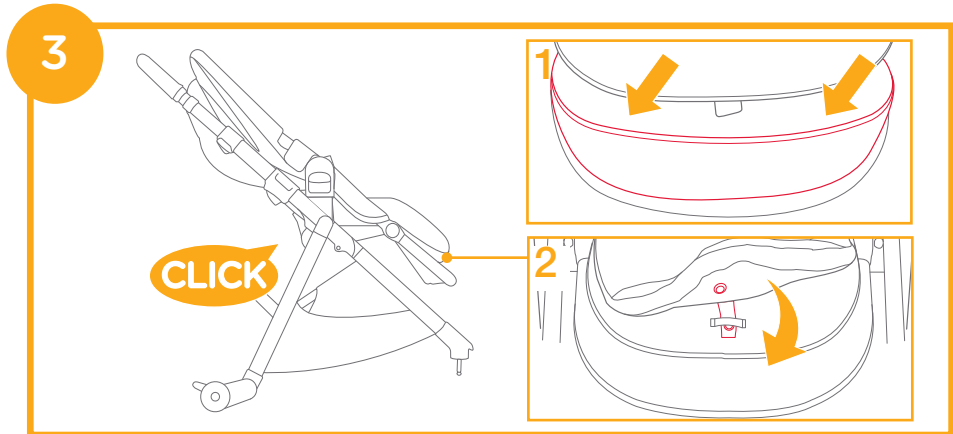
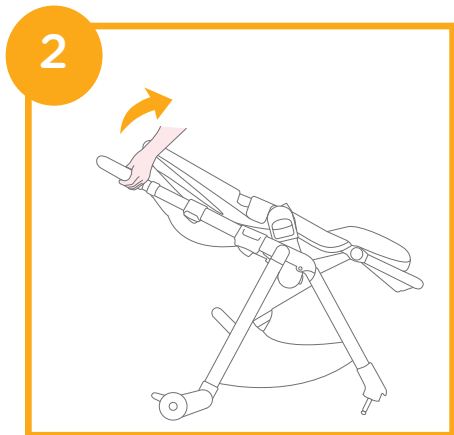
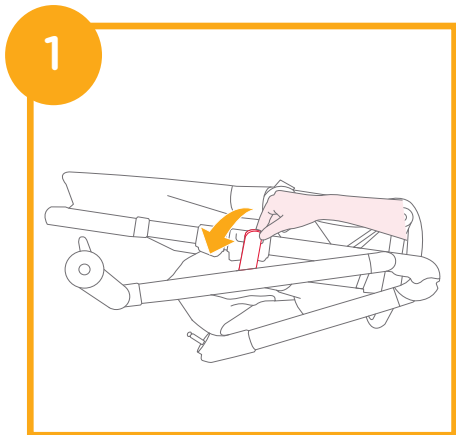
## aeria™

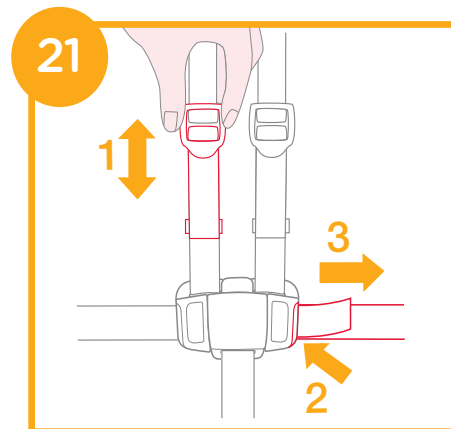
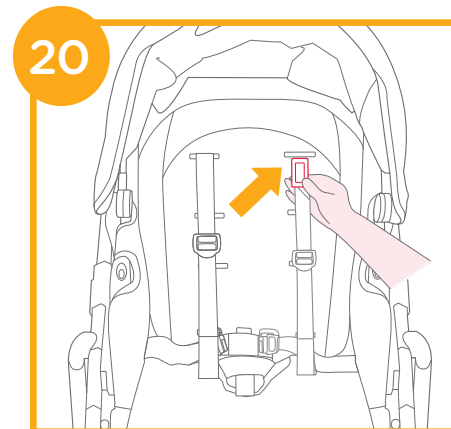
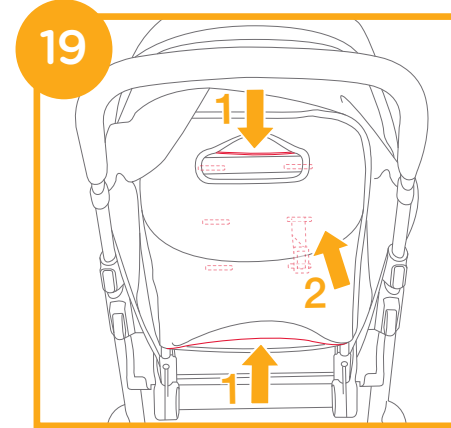
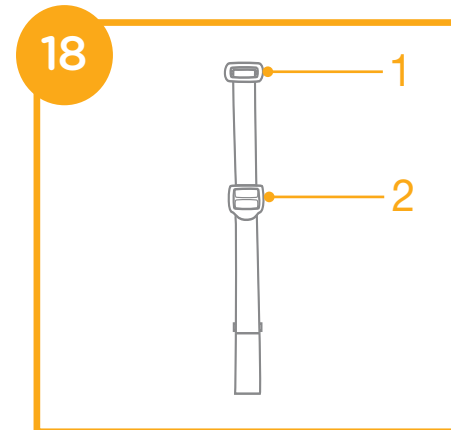
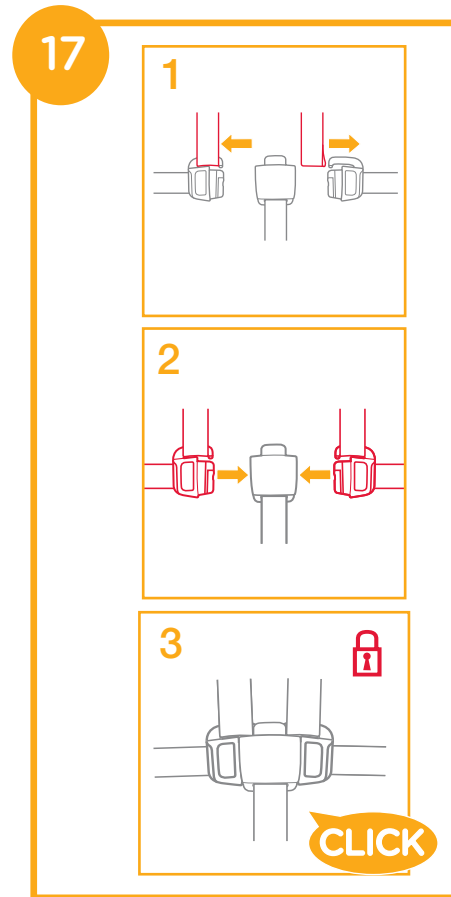
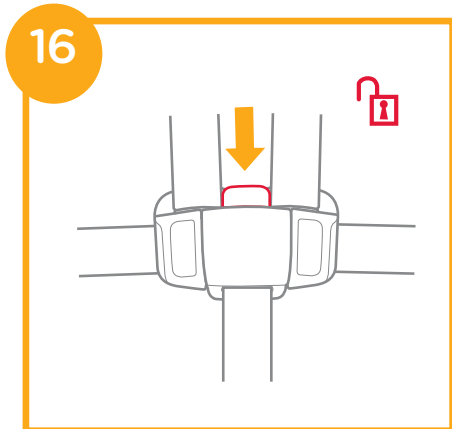
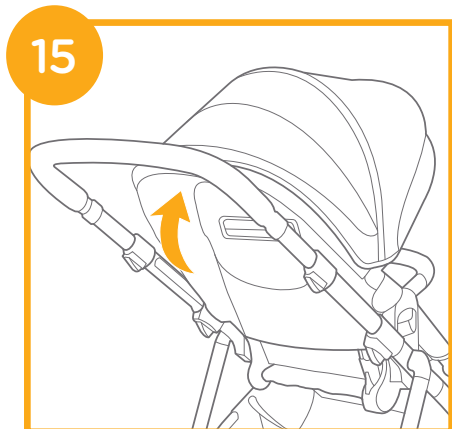
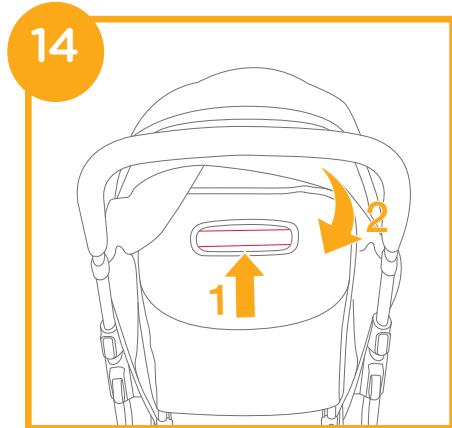
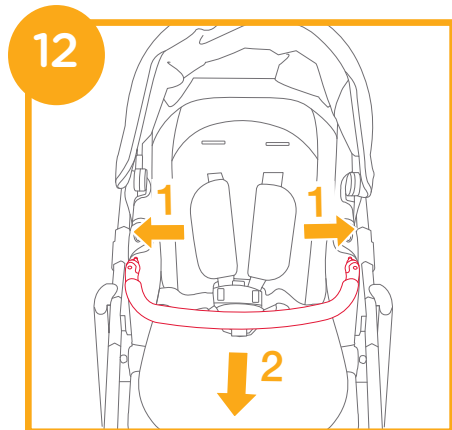
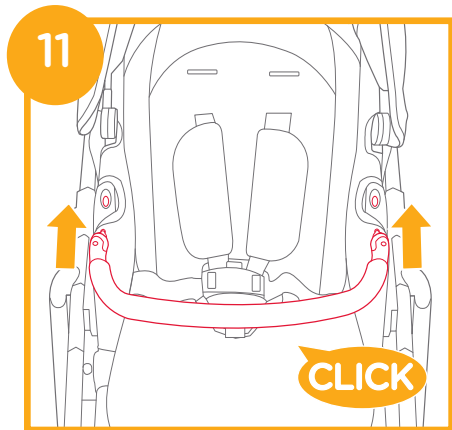
### 使用說明書

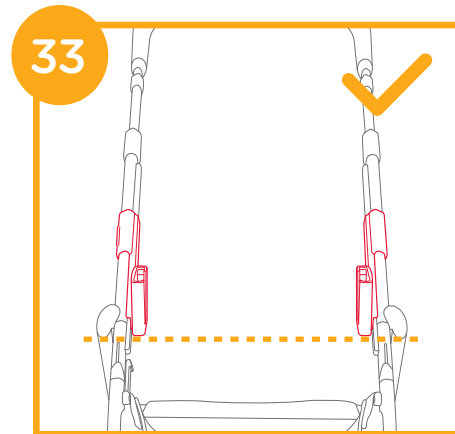
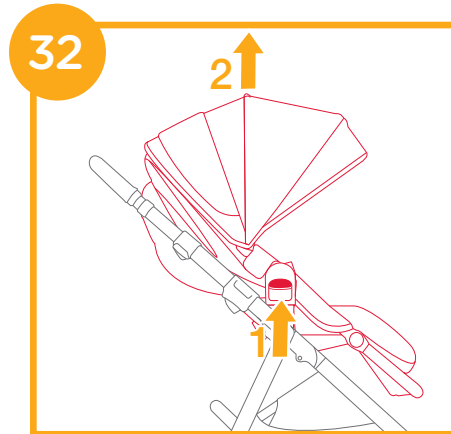
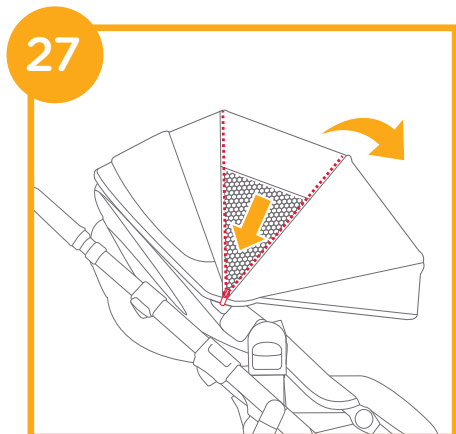
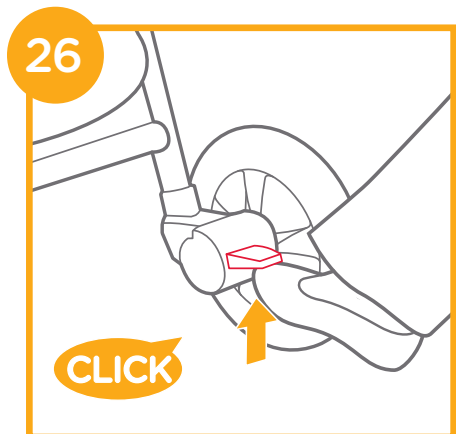
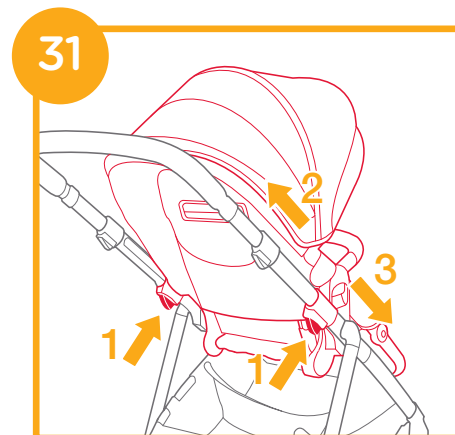
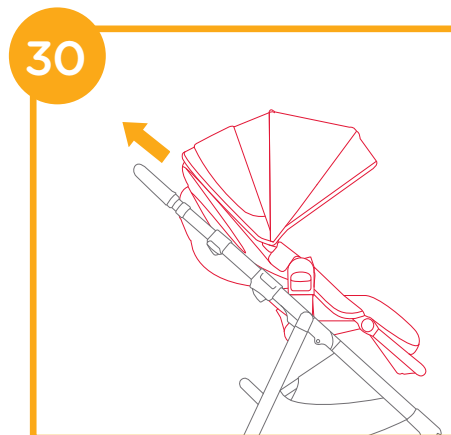
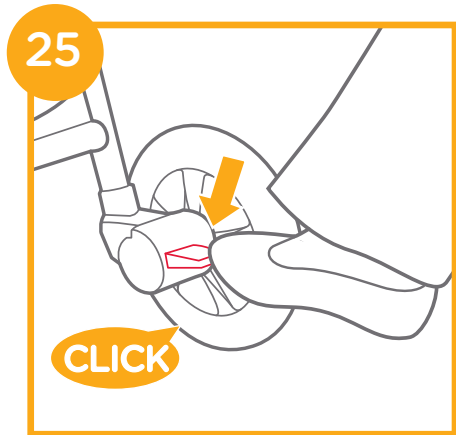
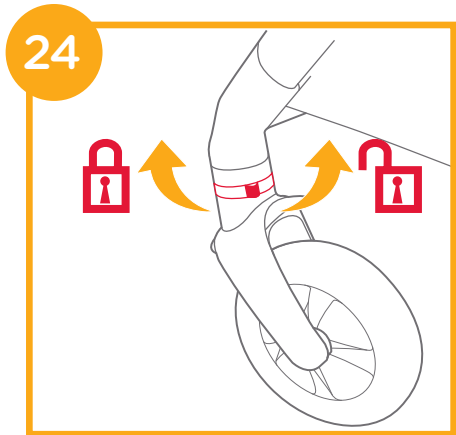
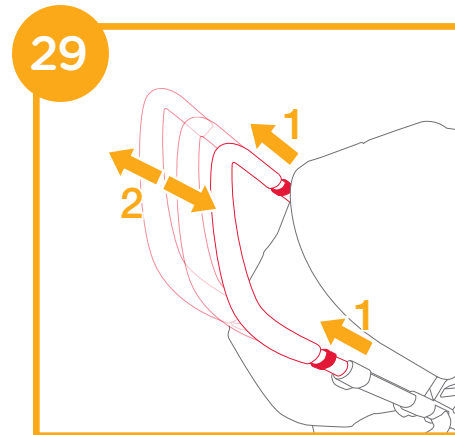
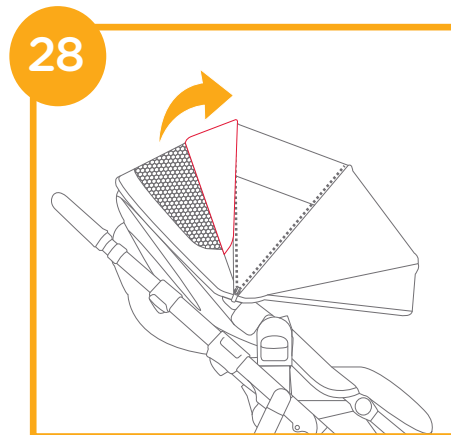
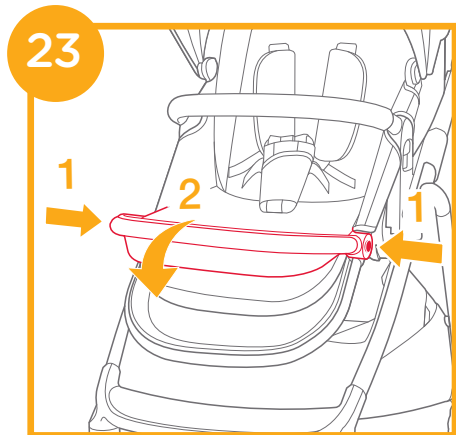
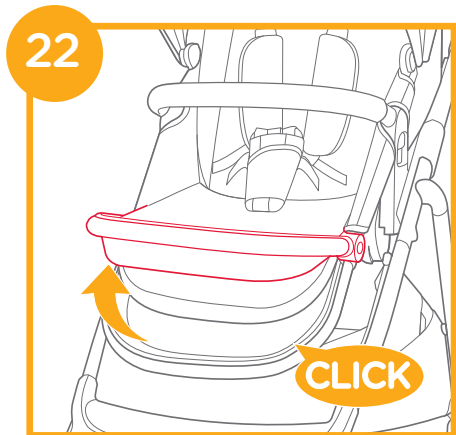
組裝及使用本產品前  
請先閱讀說明書全文

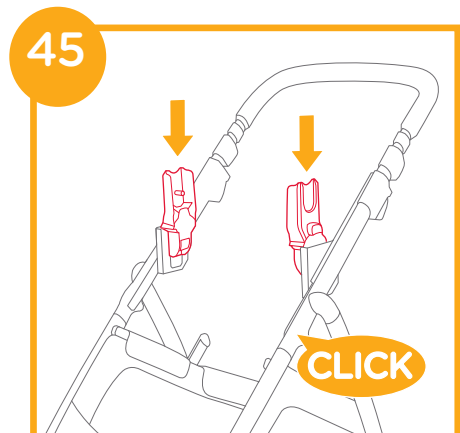
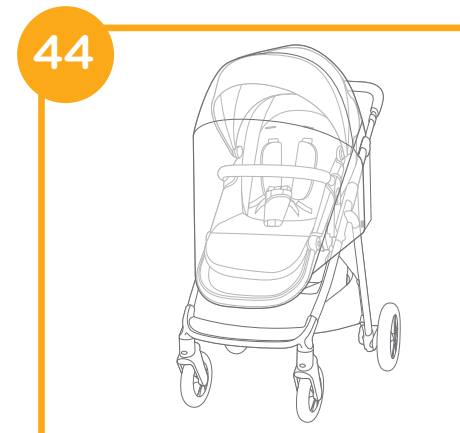
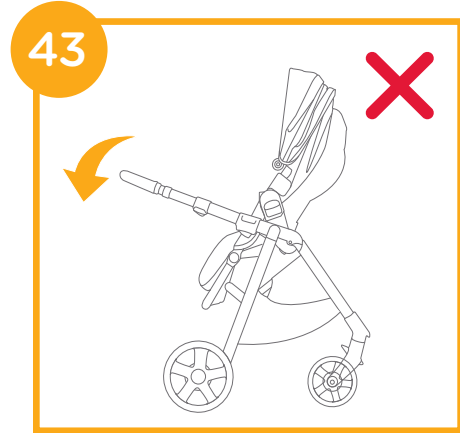
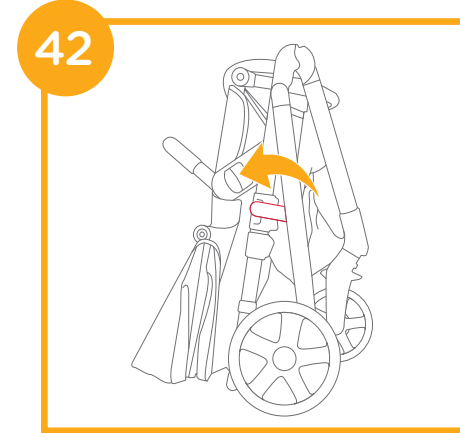
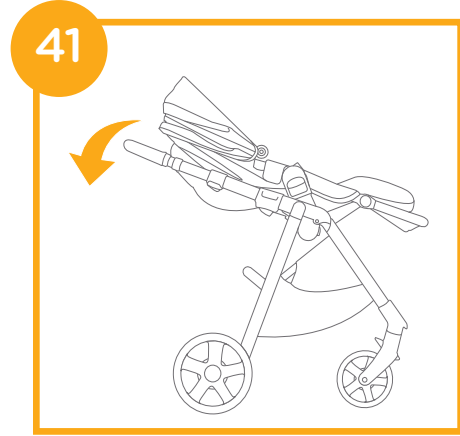
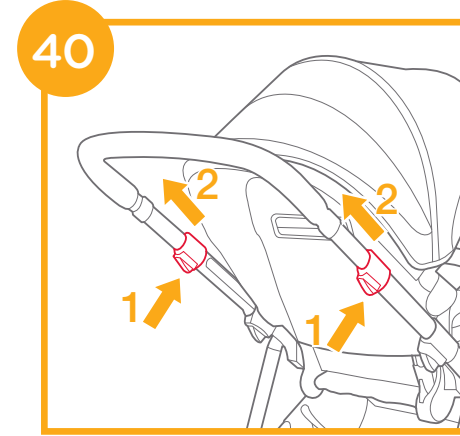
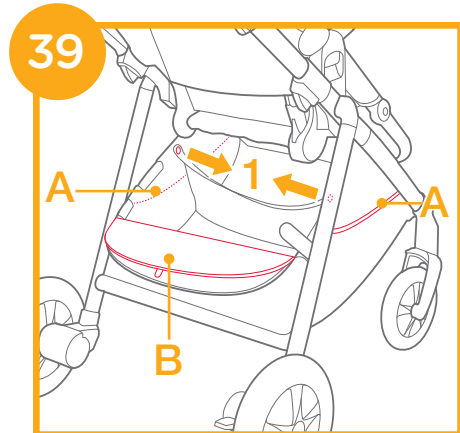
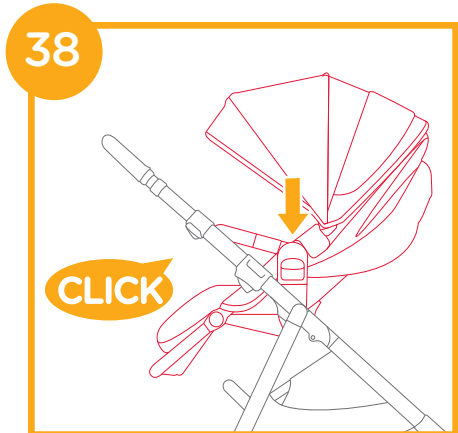
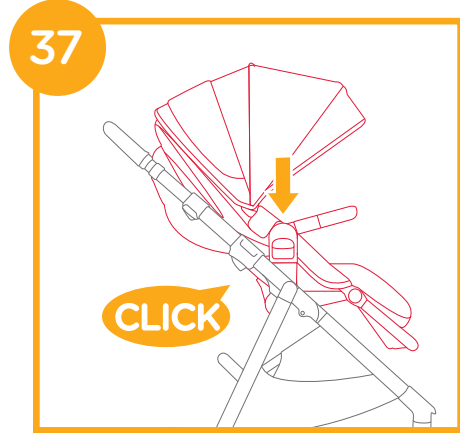
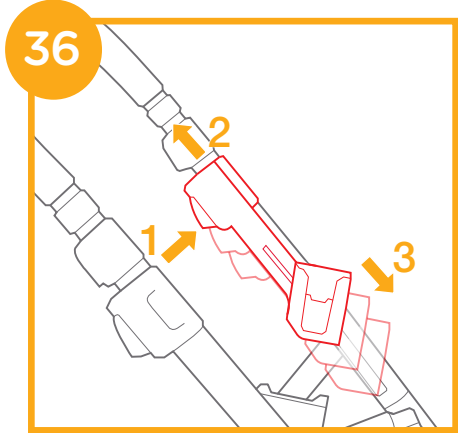
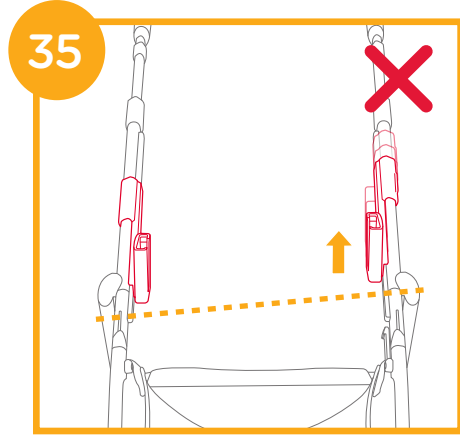
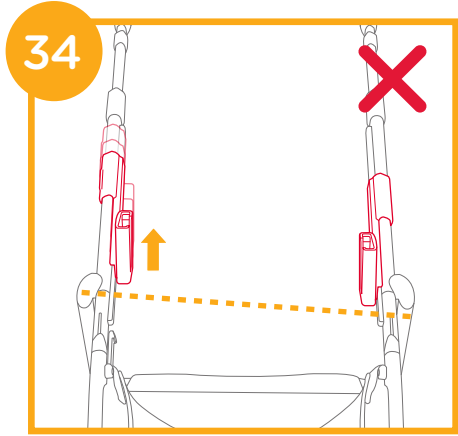


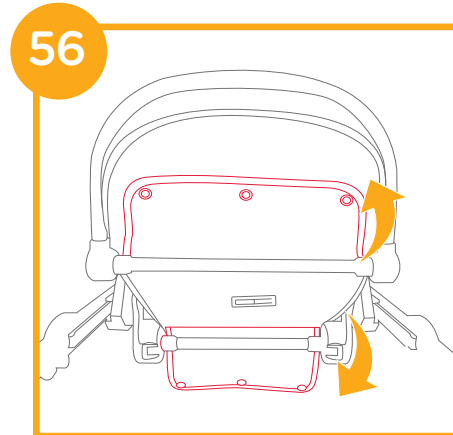
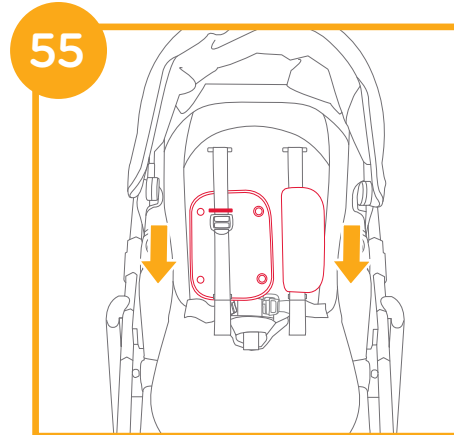
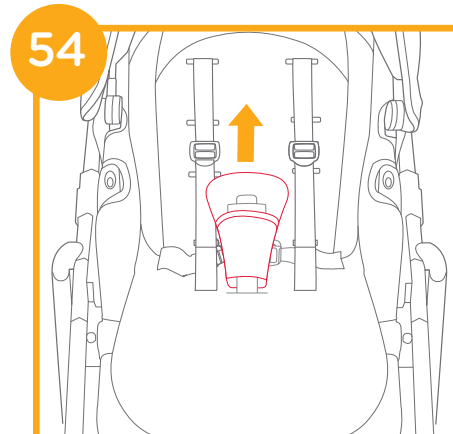
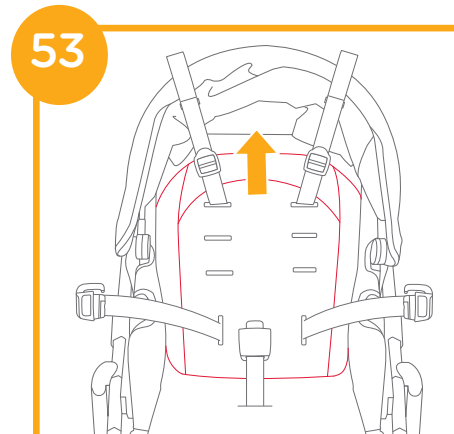
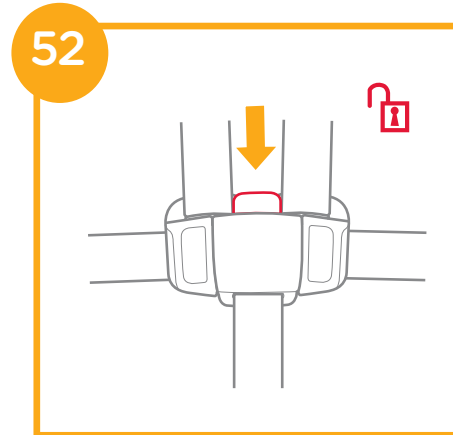
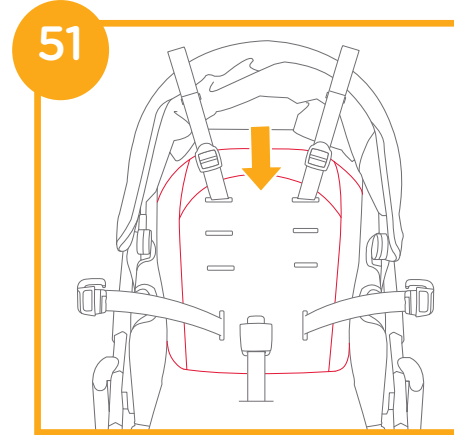
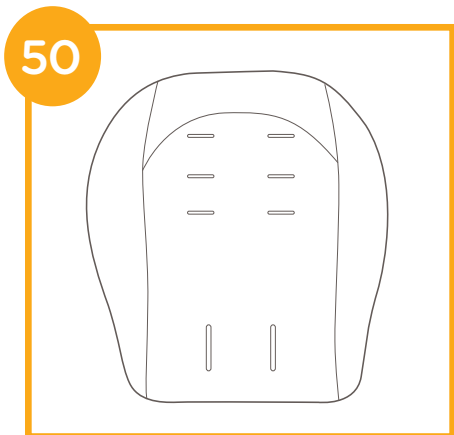
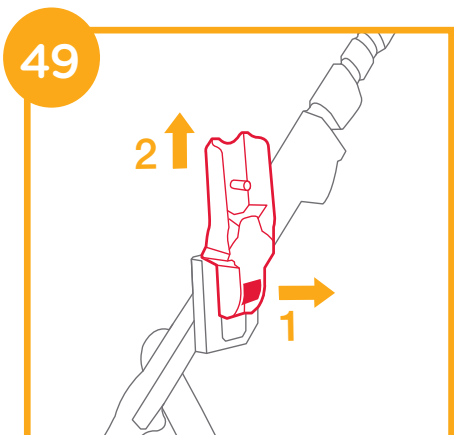
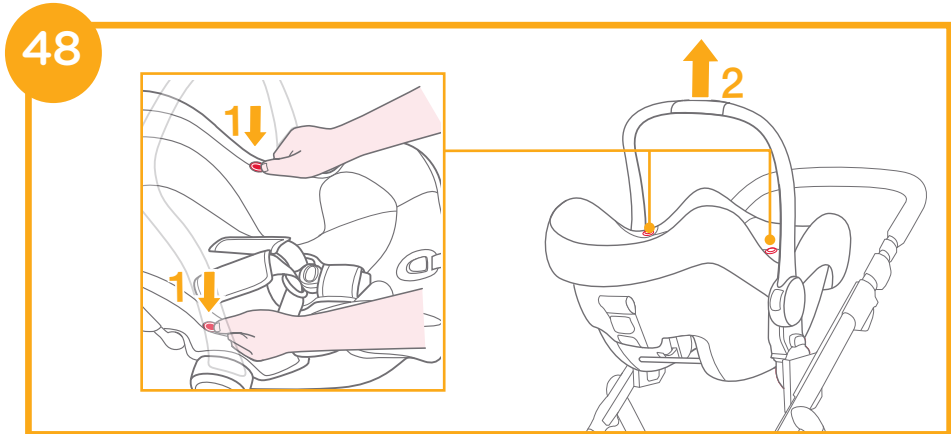
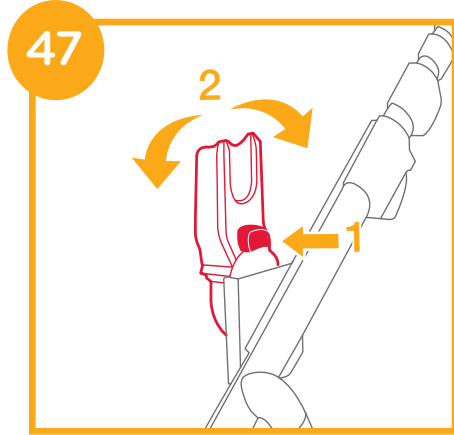
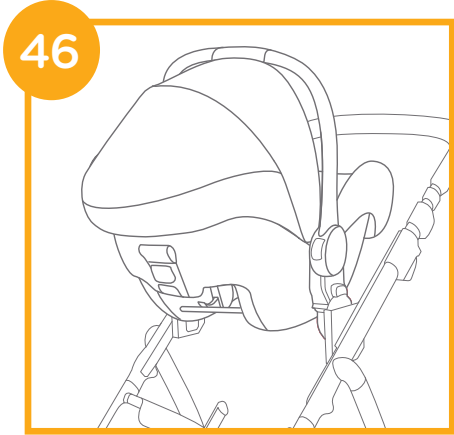
新生兒至15公斤/0-36個月  
重要 - 請保留好說明書以便日後參考

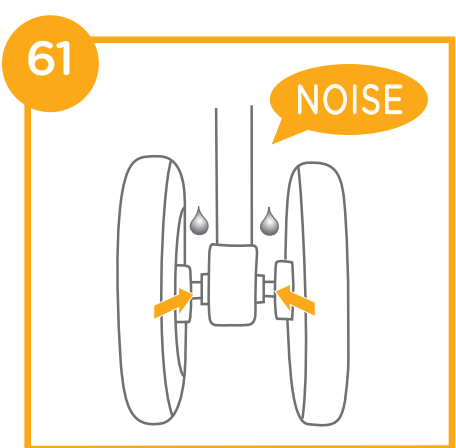
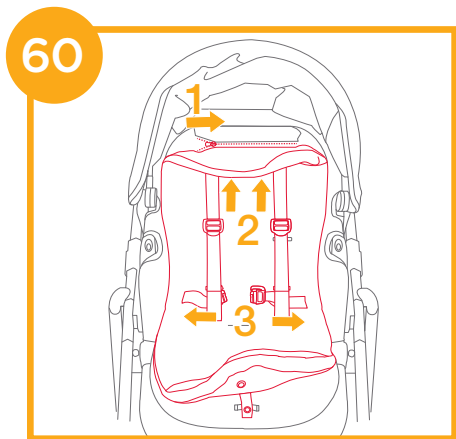
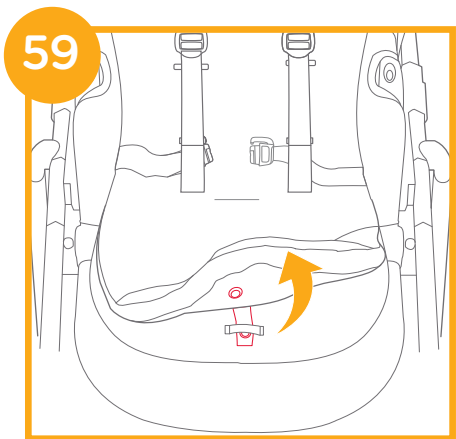
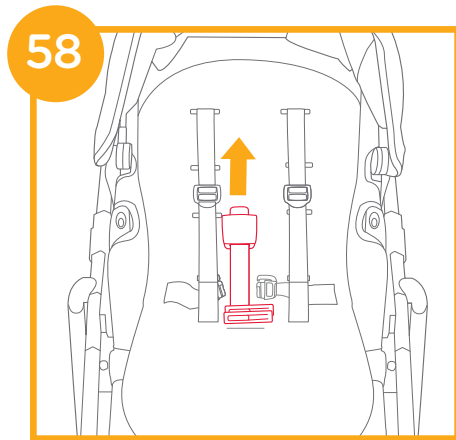
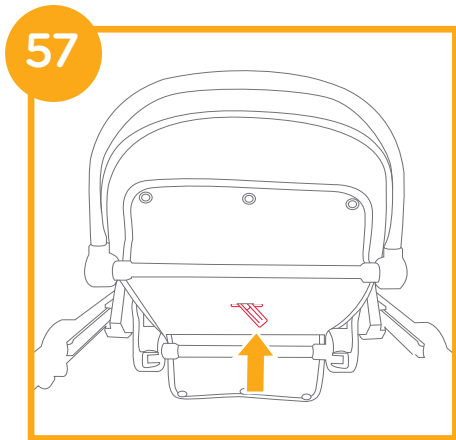














## CH 謝謝您使用本產品

祝賀您加入巧兒宜大家庭! 您剛買了一台符合安全標準CNS 12940-2013 和歐洲安全標準EN 1888-2:2018 的高品質aeria 手推車。這台手推車適用於重量15 公斤以下的寶寶。台灣區域使用請依照CNS 標準規範。

請仔細閱讀本說明書並依照指示操作，這樣才能保障並提供您的寶寶一個安全又舒適的行程。

**重要 - 請保留好說明書以便日後參考。**

如需要了解更多信息，請您訪問[joiebaby.com](http://joiebaby.com) 網站下載說明書或查看更多令人激動的Joie 產品!

## 目錄

參照圖示	1-11
緊急情況處理	14
產品資訊	15
產品組件及各部件名稱	16
警告	17
產品組裝	19
打開手推車	19
組裝&拆卸前輪	19
組裝&拆卸後輪	19
組裝遮陽篷	19
組裝&拆卸扶手	19

產品操作	20
調整背靠角度	20
使用安全扣	20
使用肩帶和腰帶	21
調節小腿靠支撐板	21
前輪定向	22
使用剎車踏板	22
使用遮陽篷	22
調整車手	22
調整座椅高度	22
調整座椅方向	23
使用置物籃	23
收合手推車	23
使用配件	24
使用雨篷	24
使用汽車椅	24
使用小座墊	25
拆卸&組裝座布	25
保養常識	26

## 緊急情況處理

遇緊急事件或事故時，需迅速急救或送醫治療照顧您的寶寶是非常重要的。



# 產品資訊

Allison Baby UK Ltd.

Venture Point, Towers Business Park,  
Rugeley, Staffordshire, WS15 1UZ

www.joiebaby.com

產品名稱 Aeria 嬰兒手推車

產品型號 S1910

最大體重 15公斤

適用嬰幼兒年齡 0-36個月

主要材質 塑膠、合金、布

淨重 11.6公斤

產品尺寸 845-897mmx673mmx1167mm

製造日期 詳見產品上貼紙日期(年/月/日)

專利號碼 專利申請中

原產地 中國

委製商 巧兒宜國際股份有限公司

進口商 巧兒宜國際股份有限公司

地址 台北市內湖區瑞光路431號2樓

電話 02-27973000

統一編號 52603333

代理商 奇哥股份有限公司Chickabiddy Co., Ltd

地址 台北市南京東路四段186號5樓

服務專線 0800-001-256 / 02-25781188

統一編號 04222671

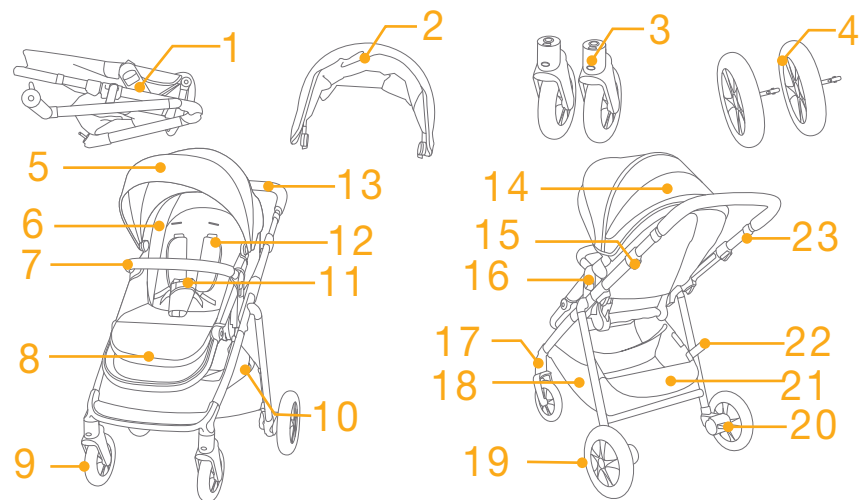
網址 www.chick.com.tw

使用本產品前請先閱讀說明書全文，如果您對於使用本產品還有任何疑問，請撥服務專線0800-001-256 / 02-25781188

# 產品組件及各部件名稱

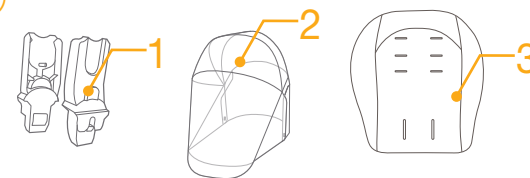
組裝前請確認所有部件已經齊全，如有遺漏，請與代理商聯繫。本產品無需工具進行組裝。

- |       |           |           |
|-------|-----------|-----------|
| 1 主體  | 9 前輪      | 17 前輪定向拉板 |
| 2 遮陽篷 | 10 置物籃    | 18 儲物袋 A  |
| 3 前輪  | 11 安全扣    | 19 後輪     |
| 4 後輪  | 12 肩帶護片   | 20 剎車踏板   |
| 5 遮陽篷 | 13 車手     | 21 儲物袋 B  |
| 6 座墊  | 14 天窗     | 22 收合鉤    |
| 7 扶手  | 15 收合按鈕   | 23 車手調整按鈕 |
| 8 小腿靠 | 16 座椅釋鎖按鈕 |           |



## 配件 (可能不包含)

- 1 連接器
- 2 雨篷
- 3 小座墊



因產品型號的不同，並非所有手推車均附以上配件。

# 警告

- ! 本產品須由成人進行組裝。
- ! 本手推車適合體重15公斤以下的寶寶使用，不符合使用條件的寶寶會對手推車造成損壞。
- ! 寶寶乘坐時應使用腰部及胯部的安全帶，並同時使用肩帶。
- ! 請勿擺放超過4.5公斤的物件於置物籃內，以免導致手推車不穩定而產生危險。
- ! 不得將寶寶單獨留置於手推車上無人看護。
- ! 不得附載其它的嬰幼兒、物品或附件於推車上。
- ! 超載或不正確的折疊及使用非經核准的零附件都可能造成手推車損壞、故障或不安全，請務必閱讀說明書。
- ! 使用前請仔細閱讀本說明書並請妥善保存供以後參照。如果不按照本說明書可能會影響乘坐寶寶的安全。
- ! 寶寶乘坐時，安全帶或束縛系統必須正確的扣合及使用。
- ! 當調整手推車上之任何可活動配件時，必須確定寶寶與手推車保持安全距離。
- ! 嬰幼兒可能會滑入足底部分的缺口或造成窒息。
- ! 禁止在樓梯上使用手推車。
- ! 使用時請遠離火源、高溫、水池或電源之附近範圍。
- ! 不可讓寶寶站立或倒坐於手推車上。
- ! 不可將手推車放置於馬路、坡道或危險場所。
- ! 使用前應確實豎立及固定各機構以確保安全。
- ! 請勿將任何繩索或索帶類物件懸掛於寶寶頸部附近，或扣在產品及玩具上，以免導致意外窒息。
- ! 請勿放置任何物品在車手、背靠後面或車台側面，以免影響手推車的穩定性。
- ! 寶寶乘坐於手推車內時，不可將整個手推車往上提。

- ! 請勿將寶寶放到置物籃內。
- ! 請不要讓寶寶爬手推車，以免翻覆。
- ! 為避免手指夾傷問題，收合及展開手推車時，請務必小心。
- ! 寶寶接近手推車前，請確認手推車已完全打開或收合。
- ! 使用前請確定各部件安裝牢固以確保安全。
- ! 警告! 保持嬰幼兒遠離此遮陽篷及雨篷以免造成窒息。
- ! 停泊此手推車時務必確實使用所有之剎車裝置。
- ! 當發現手推車損壞時，應立即停止使用。
- ! 請勿使用其它廠商提供的零部件。
- ! 本產品不適用於跑步和滑冰，只適合以步行速度使用。
- ! 避免燙傷兒童，請勿將熱飲放入置物杯內。
- ! 使用本產品前，請取掉PE袋和包裝材料並銷毀，並放到嬰兒和兒童觸摸不到的地方。
- ! 供新生兒使用時，應使用最斜躺位置。
- ! 請勿允許您的寶寶將本產品當玩具玩耍。
- ! 當放入和抱出寶寶時，應鎖定剎車裝置。
- ! 當結合汽車椅使用時，本產品不可代替睡床使用。若您的寶寶需要睡眠時，請讓寶寶睡在合適的睡床上。
- ! 移動本產品時，輕放輕移，切忌硬拖猛推，以免造成產品結構等鬆動或斷裂。
- ! 任意放置未經製造商核可之物品於車台上將造成危險。
- ! 六個月大以下的嬰幼兒應同時使用腰部及胯部的安全帶。
- ! 當座椅為後向時，請勿收合手推車。

## 產品組裝 (圖片請參閱說明書 1-11 頁)

組裝及使用手推車前，請先閱讀說明書全文，並按照說明書指示進行操作。

### 打開手推車

見圖 ① - ③

打開收合鉤 ①，然後向上提車手 ②，“咔嚓”聲表示嬰兒車已完全打開。

! 向下壓腳踏板 ③ - 1

! 扣合小腿靠下方的鈕扣 ③ - 2

! 使用手推車前務必確保收合鉤已打開到位。

### 組裝 & 拆卸前輪

見圖 ④ - ⑤

### 組裝 & 拆卸後輪

見圖 ⑥ - ⑧

### 組裝遮陽篷

見圖 ⑨ - ⑩

### 組裝 & 拆卸扶手

見圖 ⑪ - ⑫

手推車組裝完成後如 ⑬ 所示。

## 產品操作

### 調整背靠角度

見圖 ⑭ - ⑮

依不同使用需求，背靠共有5個段位可供調節。

調低背靠角度

調低背靠角度時，按壓背靠調整拉桿，同時向下調整靠背到合適的角度 ⑭

調高背靠角度

調高背靠角度時，向上推即可調高背靠 ⑮

! 確保背靠角度調整到合適角度後，方可使用。

! 靠背後方的置物袋最大載重為：0.45kg

### 使用安全扣

見圖 ⑯ - ⑰

鬆開安全扣

按下母扣上的按鈕，安全扣會自動鬆開 ⑯

扣合安全扣

將肩帶扣插入腰帶扣 ⑰ - 1，再將他們與母扣平齊，便會自動吸附扣合 ⑰ - 2，聽到“咔嚓”聲表示扣合到位 ⑰ - 3

! 為防止寶寶摔跌，寶寶乘坐時必須繫上安全帶。

! 請牢牢地繫上安全帶，並注意寶寶與安全帶之間須可以放進一個手掌的厚度。

! 請勿交叉肩帶，以免對寶寶頸部造成壓迫。

## 使用肩帶和腰帶

見圖18 - 21

！ 寶寶坐進手推車後，請確認肩帶孔高度和肩帶及腰帶的長度是否合適，以免寶寶於使用時意外跌出。

18 - 1 肩帶固定栓

18 - 2 調整扣

較大的寶寶使用時，請使用肩帶固定栓和最上方的肩帶孔；較小的寶寶使用時，請使用肩帶固定栓和最下方的肩帶孔。

！ 通過背靠調整拉桿的開口上方或者從口袋下方調整肩帶固定栓的位置19 - 1

調整肩帶固定栓位置時，將背靠後方的肩帶固定栓放置水平、短邊朝前，從肩帶孔穿出19，再從背靠前方將肩帶固定栓穿過最接近寶寶肩膀的肩帶孔20

將調整扣上下滑動，可調節肩帶長度21 - 1。

按壓按鈕21 - 2，同時往外拉安全扣內側或外側的腰帶，可調節腰帶長度21 - 3

## 調節小腿靠支撐板

見圖22 - 23

依不同使用需求，小腿靠共有2個段位可供調節。

段位調高時，將小腿靠支撐板由下往上推即可22，聽到“咔嚓”聲表示調整到位。

段位調低時，按壓小腿靠兩側的調整按鈕23 - 1，同時向下調節小腿靠支撐板23 - 2

## 前輪定向

見圖24

前輪鎖定與釋鎖如圖24

**使用小秘訣** 當在碎石路面或不平路面推行時，建議鎖定前車輪，便能更輕鬆地操控手推車。

## 使用剎車踏板

見圖25 - 26

準備剎車時，踩下剎車踏板25

打開剎車時，將剎車踏板抬起26

**使用小秘訣** 手推車停止前進時，請踩下剎車踏板。

## 使用遮陽篷

見圖27 - 28

向前或向後拉遮陽篷，即可將遮陽篷打開或收攏。

拉開拉鏈27並向前打開遮陽篷，可以更好的保護寶寶避免被陽光直接照射。

透過遮陽篷上的天窗，可以看到寶寶28

## 調整車手

見圖29

車手共有4個段位可供調節。

## 調整座椅高度

見圖30 - 31

座椅共有4個段位可供調節。

向上拉座椅可以使座椅升高30

按壓座椅高度調整按鈕並向上拉，然後向下推可以使座椅降低<sup>31</sup>

## 調整座椅方向

見圖<sup>32</sup> - <sup>33</sup>

調整座椅方向可以使媽媽與寶寶相互面對面。

按壓座椅兩側釋鎖按鈕，同時提起座椅，改變座椅方向，然後插入座椅底座。

兩個座椅底座必須如圖<sup>33</sup>所示保持水平。如座椅底座未保持水平<sup>34</sup> & <sup>35</sup>，請需要調整至水平<sup>36</sup>

## 使用置物籃

見圖<sup>39</sup>

解開置物籃內的鈕扣可以增大置物籃空間<sup>39</sup> - 1

置物籃兩側的儲物袋A最大載重為：0.45kg

防止出現危險，不穩定的情況，置物籃和儲物袋B的載重請勿超過4.5kg

## 收合手推車

見圖<sup>40</sup> - <sup>43</sup>

！ 收合手推車前，請先收攏遮陽篷。

按壓收合按鈕並向上拉<sup>40</sup>，然後向下旋轉車手<sup>41</sup>，收合鉤會自動鎖定<sup>42</sup>

！ 如果座椅在較低位置，當收合手推車時座椅會自動向下滑動，收合鉤會鎖定。

！ 當座椅為後向時，請勿收合手推車<sup>43</sup>

！ 當前輪定向拉板鎖定時，請勿收合手推車。

！ 當座椅前向時，將車手調到最高檔位，手推車收合後可站立。

## 使用配件

因產品型號的不同，並非所有手推車均附以下配件。

## 使用雨篷

見圖<sup>44</sup>

將雨篷套到車架上。

！ 使用雨篷時，請隨時注意並確認雨篷內有良好的通風。

！ 不使用雨篷時，請先確認雨篷已清潔並乾燥，再收納。

！ 請勿收合已罩上雨篷的手推車。

！ 天氣炎熱時，請勿將寶寶放在裝有雨篷的手推車內。

## 使用汽車椅

見圖<sup>45</sup> - <sup>49</sup>

當與Joie汽車椅gemm & i-Level配合使用時，請參考以下警告：

！ 聽到“咔嚓”聲表示連接器卡合到位。

！ 調整連接器可以調整汽車椅的角度<sup>47</sup>

！ 連接器有3個段位可供調節，使用汽車椅時，當寶寶的頭低於腳，請勿使用此產品。

！ 關於使用汽車椅有任何問題，請參考汽車椅說明書。

！ 請勿收合已安裝汽車椅的手推車。



## 使用小座墊

見圖 50 - 51

## 拆卸& 組裝座布

見圖 52 - 60

1. 移除扶手如 12 所示。

2. 打開安全扣 52

依反向操作即可組裝座布 60 - 52

## 保養常識

見圖 61

- ! 清洗座布時，請使用溫水清洗，請勿漂白。具體請參考手推車上洗滌標版內容。
- ! 清洗車架：僅能使用中性清潔劑及溫水洗滌，請勿使用漂白劑。清洗後用吸水的布擦幹防止生鏽。
- ! 隨時檢查您的手推車，並隨時更換或修理鬆弛磨損的零件、脫落的材料或車縫線。
- ! 過度曝曬於陽光下，可導致手推車老化或變形。
- ! 手推車潮濕時，請打開手推車及遮陽篷，待乾燥後再收合起來。
- ! 如果輪子發出“吱吱”聲，可加油(WD-40，防鏽油或縫紉機油)潤滑。請將潤滑油點入輪軸及軸孔 61 之間，此步驟為重要的保養須知。
- ! 在海邊使用手推車時，務必於使用過後清除沙粒，以做好完善的清洗。
- ! 產品在正常的使用和老化中產生的自然磨損與劣化並不在保固範圍內。當車輪磨損過度時請向本公司或代理商聯繫更換。



### 延長保固服務

請於購買起一個月內至奇哥官網進行登錄，登錄成功後即享有商品延長一年保固服務。

# Joie™ signature

---

## aeria™

stroller

### Instruction Manual

Read these instructions carefully before use and keep them for future reference. Your child's safety may be affected if you do not follow these instructions.



Suitable for birth to 15kg/0-36 months

IMPORTANT-

READ CAREFULLY AND KEEP FOR FUTURE REFERENCE



## GB Welcome to Joie™

Congratulations on becoming part of the Joie family! We are so excited to be part of your journey with your little one. While traveling with the Joie aeria, you are using a high quality, fully certified stroller, approved to European safety standards EN 1888-2:2018. This product is suitable for children up to 15 kg or 3 years whichever comes first. Please carefully read this manual and follow each step to ensure a comfortable ride and best protection for your child.

**IMPORTANT - READ CAREFULLY AND KEEP FOR FUTURE REFERENCE.**

Visit us at [joiebaby.com](http://joiebaby.com) to download manuals and see more exciting Joie products!

For warranty information, please visit our website at [joiebaby.com](http://joiebaby.com)

### Contents

Figures	1-11
WARNING	33
<b>Stroller Assembly</b>	<b>36</b>
Open Stroller	36
Assemble & Detach Front Wheel	36
Assemble & Detach Rear Wheel	36
Assemble Canopy	36
Assemble & Detach Armbar	36

<b>Stroller Operation</b>	<b>37</b>
Adjust Backrest	37
Use Buckle	37
Use Shoulder & Waist Harnesses	38
Adjust Calf Support	38
Use Front Swivel Lock	39
Use Brake	39
Use Canopy	39
Adjust Handle	39
Adjust Seat Height	39
Switch Seat	40
Use Storage Basket	40
Fold Stroller	40
Use Accessories	41
<b>Detach &amp; Assemble Soft Goods</b>	<b>42</b>
<b>Cleaning and Maintenance</b>	<b>43</b>

### Emergency

In case of emergency or accident, it is most important to have your child taken care of with first aid and medical treatment immediately.

## Product Information

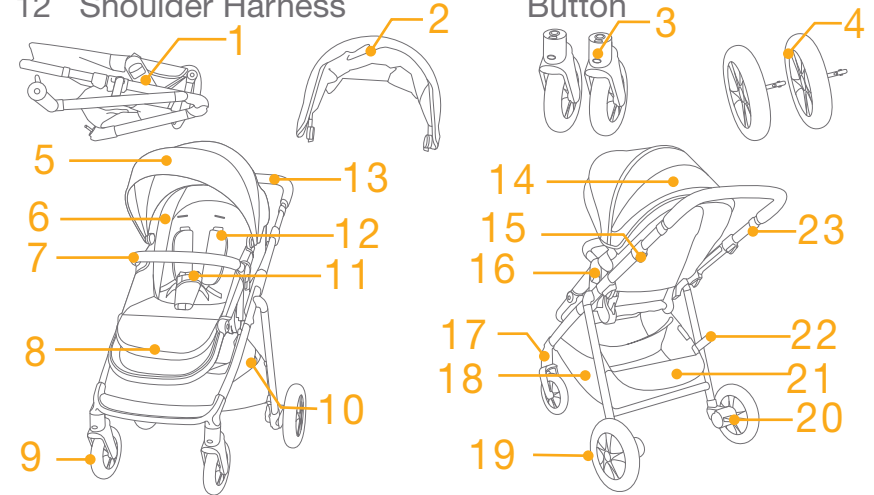
Read all the instructions in this manual before using this product. If you have any further questions, please consult the retailer. Some features may vary depending on model.

<b>Product</b>	Aeria Stroller
<b>Suitable for</b>	This product is suitable for children up to 15 kg or 3 years whichever comes first
<b>Materials</b>	Plastics, metal, fabrics
<b>Patent No.</b>	Patents pending
<b>Made in</b>	China

## Parts List

Make sure all parts are available before assembly. If any part is missing, please contact local retailer. No tools are required for assembly.

- |                     |                             |
|---------------------|-----------------------------|
| 1 Stroller Frame    | 13 Handle                   |
| 2 Canopy            | 14 Canopy Window            |
| 3 Front Wheel       | 15 Folding Button           |
| 4 Rear Wheel        | 16 Seat Release Button      |
| 5 Canopy            | 17 Swivel Lock              |
| 6 Seat Pad          | 18 Storage Bag A            |
| 7 Armbar            | 19 Rear Wheel               |
| 8 Calf Support      | 20 Brake Lever              |
| 9 Front Wheel       | 21 Storage Bag B            |
| 10 Storage Basket   | 22 Storage Latch            |
| 11 Buckle           | 23 Handle Adjustment Button |
| 12 Shoulder Harness |                             |

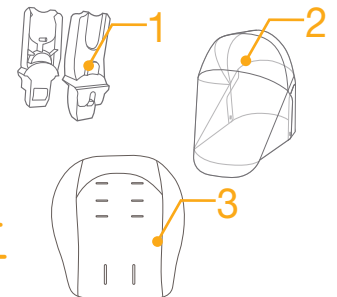


## Accessories

(May not be included)

- |                                  |
|----------------------------------|
| 1 Adapter (on certain models)    |
| 2 Rain cover (on certain models) |
| 3 Insert (on certain models)     |

Accessories may be sold separately or may not be available depending on region.



## WARNING

- ! Always use the restraint system. Safety belts and restraint systems must be used correctly.
- ! Ensure that all the locking devices are engaged before use.
- ! Do not let the child play with this product.
- ! Check that the pram body or seat unit or car seat attachment devices are correctly engaged before use.
- ! Adult assembly required.
- ! This product is suitable for children up to 15 kg or 3 years whichever comes first.
- ! To prevent a hazardous, unstable condition, do not place more than 4.5kg in the storage basket.
- ! Never leave the child unattended. Always keep child in view while in stroller.
- ! Use the stroller with only one child at a time. Never place purses, shopping bags, parcels or accessory items on the handle or canopy.
- ! Accessories which are not approved by the manufacturer shall not be used. Only replacement parts supplied or recommended by the manufacturer shall be used.
- ! Overloading, folding incorrectly, or using component parts from other manufacturers may cause the stroller to be damaged, broken or unsafe. Please read the instruction manual carefully.
- ! Please read all the instructions in the manual before using the product. Please save instruction manual for future use. Failure to follow these warnings and instructions may result in serious injury or death.
- ! To avoid serious injury from falling or sliding out, always use seat belt.
- ! Make sure your child's body is clear from the moving parts when adjusting the stroller.

- ! Be sure the stroller is fully open or folded before allowing child near the stroller.
- ! Child may slip into leg openings and be strangled if the harness is not used.
- ! Never use stroller on stairs or escalators.
- ! Keep away from high temperature objects, liquids, and electronics.
- ! Never allow your child to stand on the stroller or sit in the stroller with head toward front of stroller.
- ! Never place the stroller on roads, slopes or dangerous areas.
- ! To avoid strangulation, DO NOT place items with a string around your child's neck, suspend strings from this product, or attach strings to toys.
- ! Any load attached to the handle and/or on the back of the backrest and/or on the sides of the stroller will affect the stability of the stroller.
- ! DO NOT lift stroller while child is in stroller.
- ! DO NOT use storage basket as a child carrier.
- ! To prevent tipping, never let child climb the stroller. Always lift the child in and out of the stroller.
- ! To avoid finger entrapment, use care when folding and unfolding the stroller.
- ! To avoid injury ensure that the child is kept away when unfolding and folding this product.
- ! To ensure your child's safety, please make sure all parts are assembled and fastened properly before using the stroller.
- ! To avoid strangulation, do make sure your child is clear from the canopy.
- ! Always engage the brakes when parking the stroller.
- ! Discontinue using stroller if it is damaged or broken.

- ! Stroller to be used only at walking speed. This product is not intended for use while jogging.
- ! To avoid suffocation, remove plastic bag and packaging materials before using this product. The plastic bag and packaging materials should then be kept away from babies and children.
- ! This product is not suitable for running or skating.
- ! Pushchair designed to be used from birth shall recommend the use of the most reclined position for new born babies.
- ! The parking device shall be engaged when placing and removing children.
- ! For infant child restraints used in conjunction with a chassis, this stroller does not replace a cot or a bed. Should your child need to sleep, then it should be placed in a suitable pram body, cot or bed.
- ! Do not attach items to the handle, seat back or sides of the stroller. Any additional load will affect the stability of the stroller and could cause the stroller to tip.
- ! Please do not fold the frame when the seat is facing rearwards.

## Stroller Assembly

(Please refer to figures on page 1-11)

Please read all the instructions in this manual before assembling and using this product.

### Open Stroller

see images ① - ③

Separate storage latch from storage mount ①, and then lift the handle upwards ②, a click sound means the stroller is open completely.

! Press the footrest down and reset it. ③ - 1

! Please attach the button under the calf support. ③ - 2

! Check that the stroller is completely latched before continuing to use.

### Assemble & Detach Front Wheel

see images ④ - ⑤

### Assemble & Detach Rear Wheel

see images ⑥ - ⑧

### Assemble Canopy

see images ⑨ - ⑩

### Assemble & Detach Armbar

see images ⑪ - ⑫

The completely assembled stroller is shown as ⑬

## Stroller Operation

### Adjust Backrest

see images 14 - 15

There are 5 recline angles for the backrest.

#### Recline Backrest

To recline the backrest, squeeze the recline handle on the back of the seat, pull down on the backrest. 14

#### Raise Backrest

To raise the backrest, push up. 15

! Make sure the recline is set properly for use.

! The maximum load of storage pocket on the back of backrest is 0.45kg.

### Use Buckle

see images 16 - 17

#### Release Buckle

Press the button, the buckle will release automatically. 16

#### Lock Buckle

Match the waist belt buckle with the shoulder buckle 17 - 1, and align them with the center buckle, the buckle can lock automatically. 17 - 2 A "click" sound means the buckle is locked completely. 17 - 3

! To avoid serious injury from falling or sliding out, always secure your child with harness.

! Make sure your child is snugly secured. The space between the child and the shoulder harness is about the thickness of one hand.

! Do not cross the shoulder belts. This will cause pressure on a child's neck.

## Use Shoulder & Waist Harnesses

see images 18 - 21

! In order to protect your child from falling out, after your child is placed into the seat, check whether the shoulder and waist harnesses are at proper height and length.

18 - 1 Shoulder harness anchor

18 - 2 Slide adjuster

For larger child, use shoulder harness anchor and the highest shoulder slots. For smaller child, use shoulder harness anchor and the lowest shoulder slots.

! The position of the shoulder belt anchor can be adjusted from above opening which closed by fasteners or below pocket. 19 - 1

To adjust the position of the shoulder harness anchor, turn the anchor to be level with the side facing forward. Thread it through the shoulder harness slot from back to front. 19  
Rethread it through the slot that is closest to child's shoulder height. 20

Use slide adjuster to change the harness length. 21 - 1

Press the button 21 - 2, while pulling the waist harness to proper length. 21 - 3

### Adjust Calf Support

see images 22 - 23

The calf support has 2 positions.

To raise the calf support, push it upwards. 22 A "click" sound means the calf is locked completely.

To lower calf support, press the adjustment buttons on both sides of the calf support 23 - 1, and rotate the calf support downwards. 23 - 2

## Use Front Swivel Lock

see image 24

Front wheel locked or unlocked status as 24.

**Tip** It is recommended to use swivel locks on uneven surfaces.

## Use Brake

see images 25 - 26

To lock wheels, step the brake lever downwards. 25

To release wheels, just lift the brake lever upwards. 26

**Tip** Always set the parking brake when stroller is not moving.

## Use Canopy

see images 27 - 28

The canopy can be opened or folded, pull it toward front or back.

The canopy can be opened completely to protect your child from the sun uttermostly, just unzip the zip 27, and then pull the canopy toward front.

There is a window on the canopy, through which you can view your baby. 28

## Adjust Handle

see image 29

The handle has 4 positions.

## Adjust Seat Height

see images 30 - 31

The seat has 4 positions.

Pull up the seat to increase the seat height. 30

Press the seat height adjustment buttons and pull up, then push down to decrease the seat height. 31

## Switch Seat

see images 32 - 38

The seat can be switched which makes mother and child can face to face with each.

Squeeze the seat release buttons while lifting the seat. Turn the seat to reverse direction and then insert the seat to seat mounts.

Both seat mounts need to be level shown as 33, if the situations shown as 34 & 35 happen, please press the seat height adjustment button and pull up, then push down to decrease the seat height to make sure the both seat mounts to be level. 36

## Use Storage Basket

see image 39

Detach the buttons in the basket to increase basket space. 39 - 1

The maximum load of each storage bag A on the both side of basket is 0.45kg.

To prevent a hazardous, unstable condition, do not place more than 4.5kg in the storage basket and storage bag B.

## Fold Stroller

see images 40 - 43

! Please fold the canopy before folding the stroller.

Press the folding button and pull up, 40 then rotate the handle downwards, 41 the fold latch can lock automatically. 42

- ! If the seat is on the lower position, it can slide down while folding the stroller to make sure fold latch lock automatically.
- ! Please do not fold the frame when the seat is facing rearwards. 43
- ! Please do not fold the frame when front wheel swivel lock is locked.
- ! The stroller with forward-facing seat can stand when the handle is in the highest position.

## Use Accessories

Accessories may be sold separately or may not be available depending on region.

### Use Rain Cover

see images 44

To assemble the rain cover, place it over the seat.

- ! When using the rain cover, please always check its ventilation.
- ! When not in use, please check that the rain cover has been cleaned and dried before folding.
- ! Do not fold the stroller after assembling the rain cover.
- ! Do not place your child into the stroller assembled with rain cover during hot weather.

### Use with Infant Child Restraint

see images 45 - 49

When using with Joie infant child restraint gemm & i-Level, please refer to the following instructions.

- ! A “click” sound means the adapter is locked completely.

- ! The infant child restraint angle can be adjusted with our adjustable adaptors. 47
- ! The adapter has 3 positions. Please do not use the product when the baby's head is lower than feet after attached infant child restraint.
- ! If you have any problems about using the infant child restraint, please refer to their own instruction manuals.
- ! Please do not fold the stroller when the infant child restraint is still attached.

### Use Insert

see images 50 - 51

## Detach & Assemble Soft Goods

see images 52 - 60

1. Remove armbar shown as 12
2. Open the buckle which is on the bottom of seat. 52

To re-assemble seat soft goods, follow the steps above in reverse 60 - 52



## Cleaning and Maintenance

see image 61

- ! To clean stroller frame, use only household soap and warm water. No bleach or detergent. Please refer to the care label for instructions on cleaning the fabric parts of the stroller.
- ! Removable soft goods can be washed by machine. No bleach. Do not twist the seat cover and inner padding to dry with great force. It may leave the seat cover and inner padding with wrinkles.
- ! From time to time, check your stroller for loose screws, worn parts, torn material or stitching. Replace or repair the parts as needed. Periodically wipe clean plastic parts with a soft damp cloth. Always dry the metal parts to prevent the formation of rust if the stroller has come into contact with water.
- ! Excessive exposure to sun or heat could cause fading or warping of parts.
- ! If stroller becomes wet, open canopy and allow to dry thoroughly before storing.
- ! If wheels squeak, use a light oil (e.g., Silicon Spray, antirust oil, or sewing machine oil). It is important to get the oil into the axle and wheel assembly. 61
- ! When using your stroller at the beach or other sandy/dusty environments, completely clean your stroller after use to remove sand and salt from mechanisms and wheel assemblies.

## Note





Allison Baby UK Ltd.  
Venture Point, Towers Business Park  
Rugeley, Staffordshire, WS15 1UZ

view all fine signature selections at  
[joiebaby.com/signature](http://joiebaby.com/signature)

IM-000680D