

# Joie™ signature

---

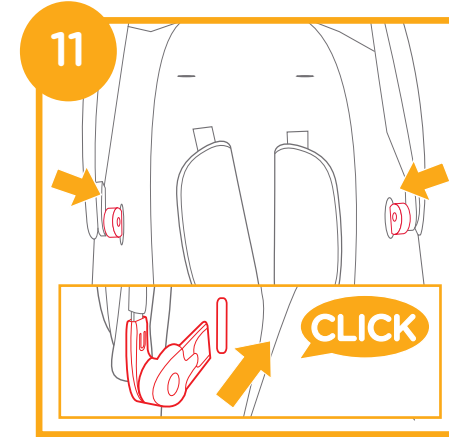
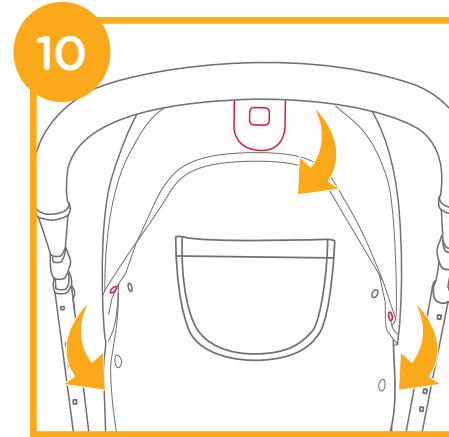
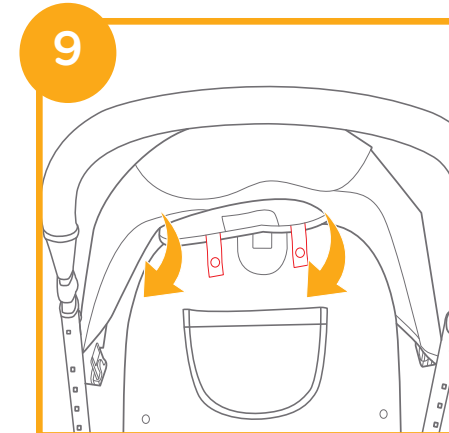
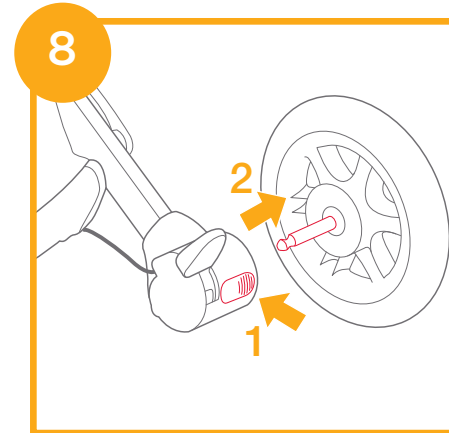
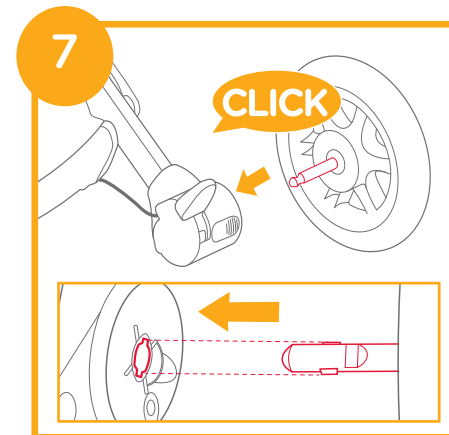
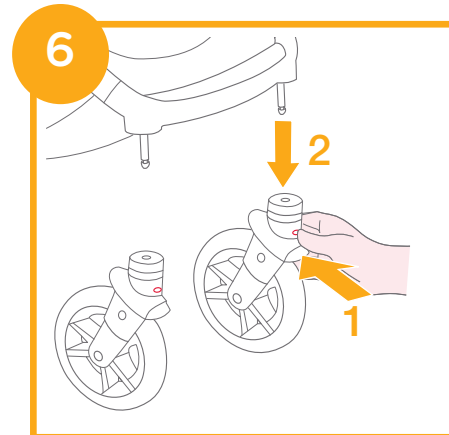
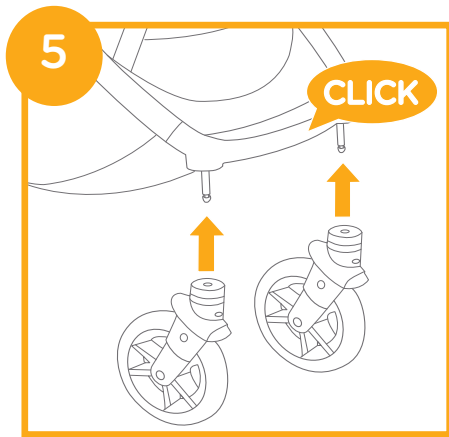
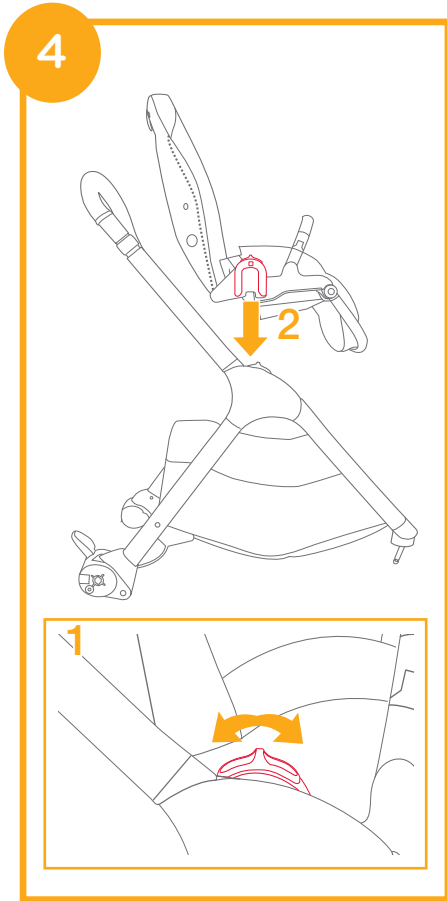
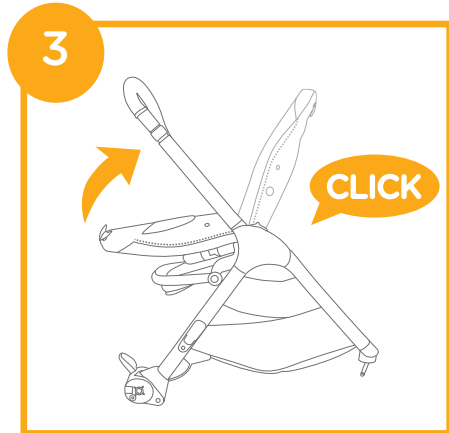
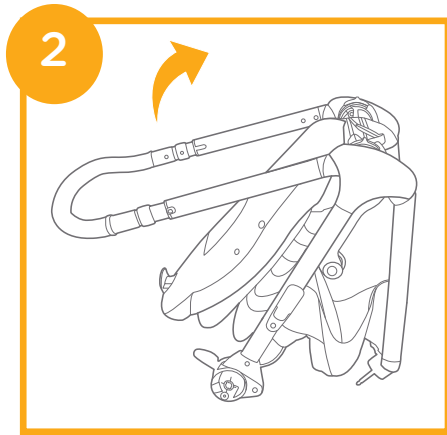
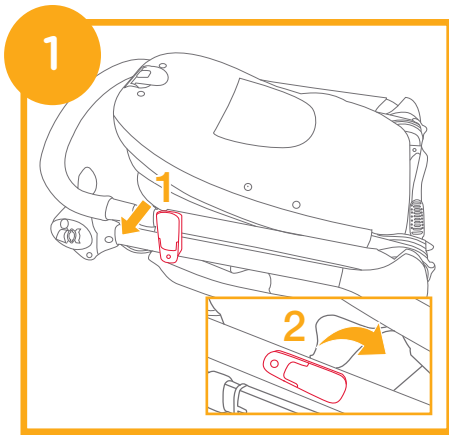
finiti™

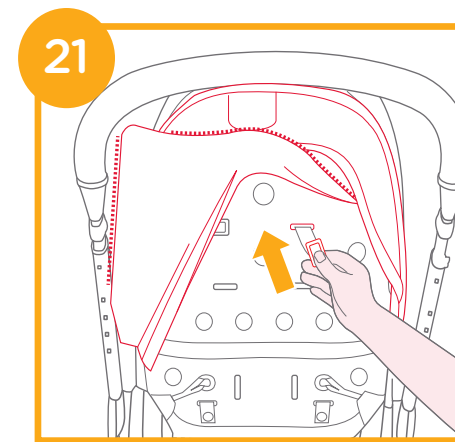
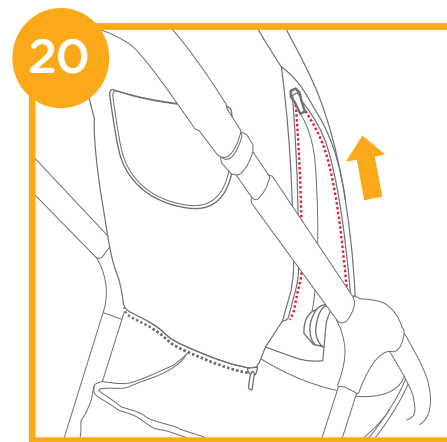
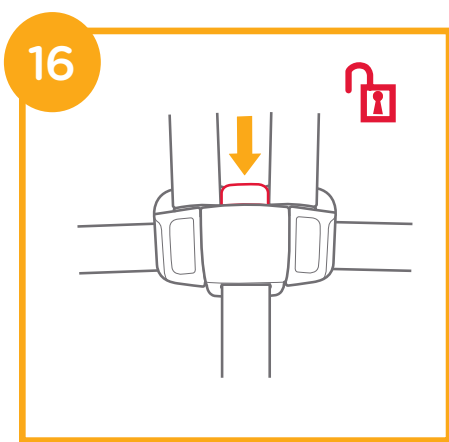
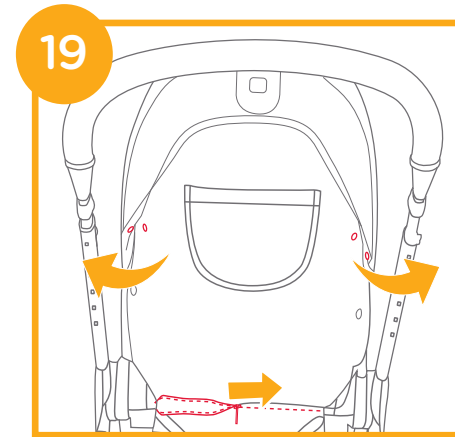
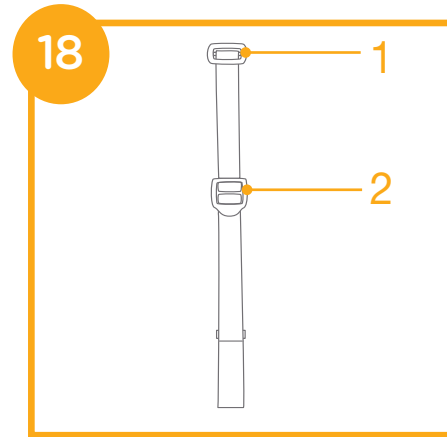
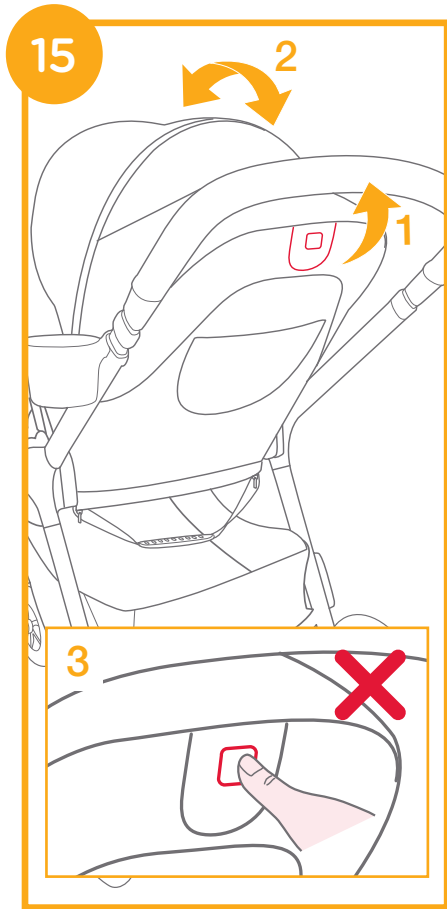
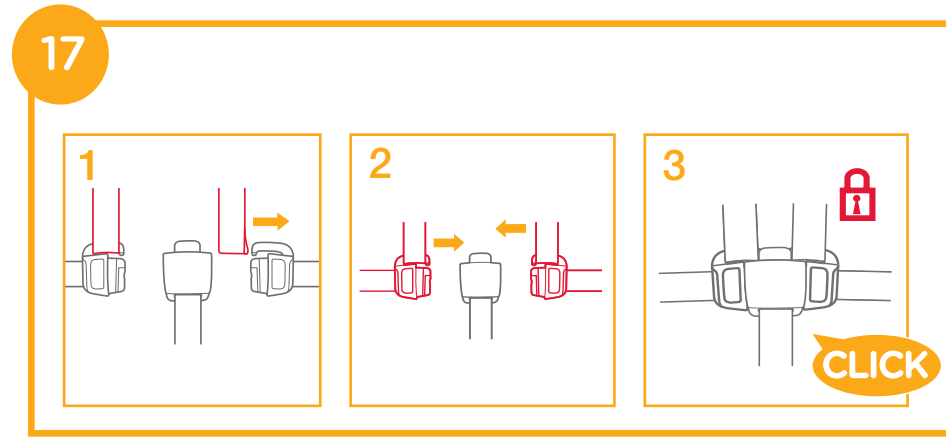
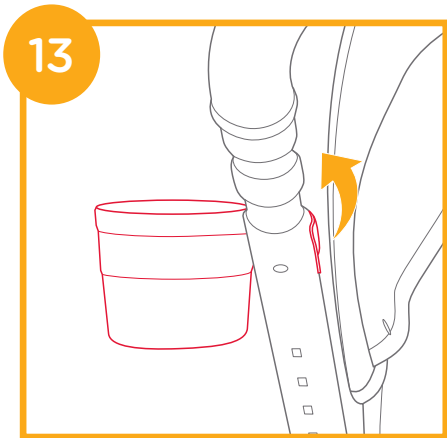
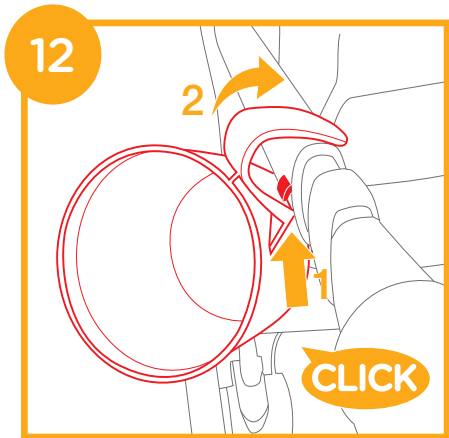
## 使用說明書

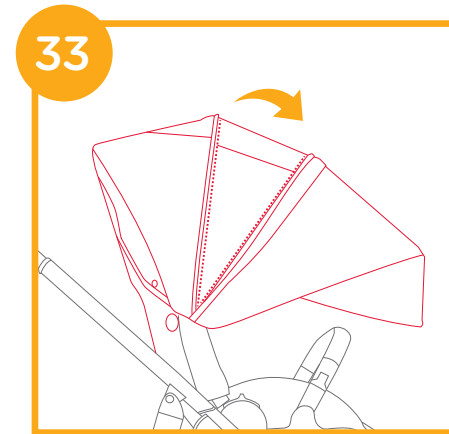
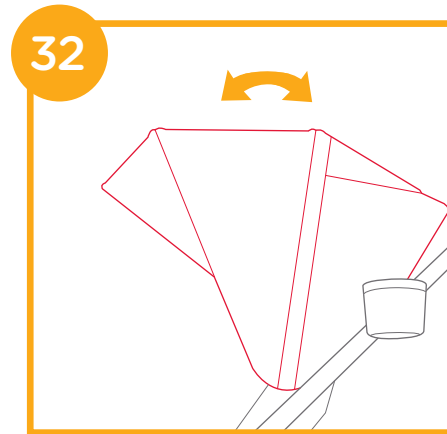
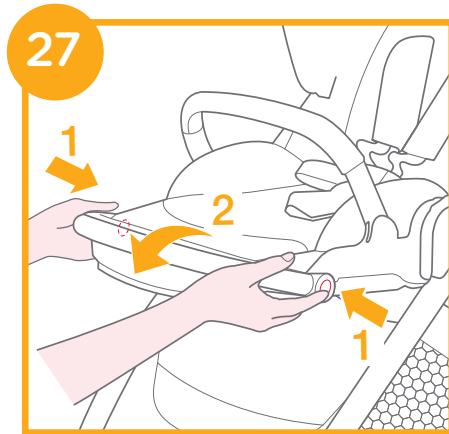
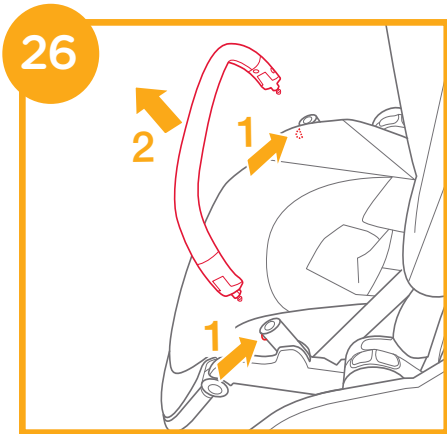
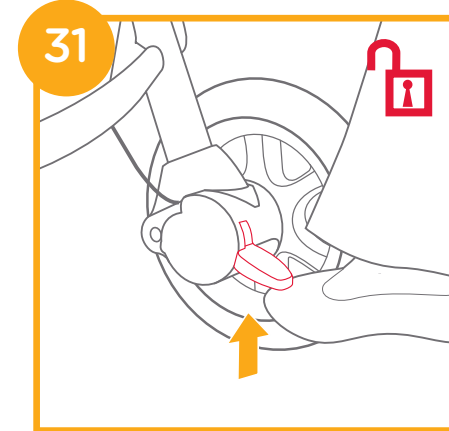
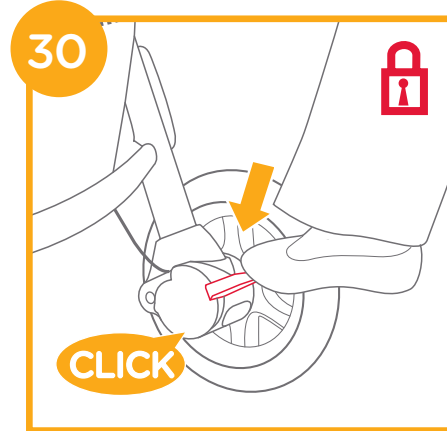
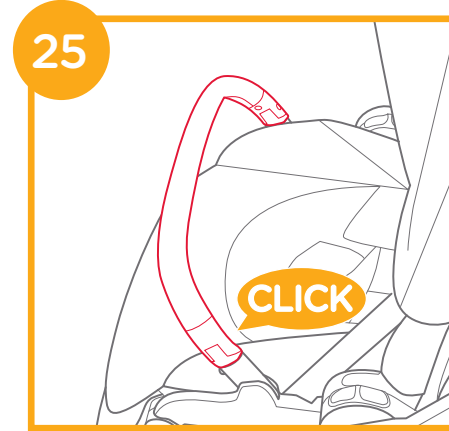
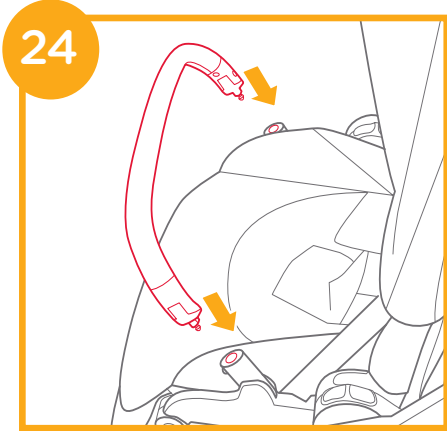
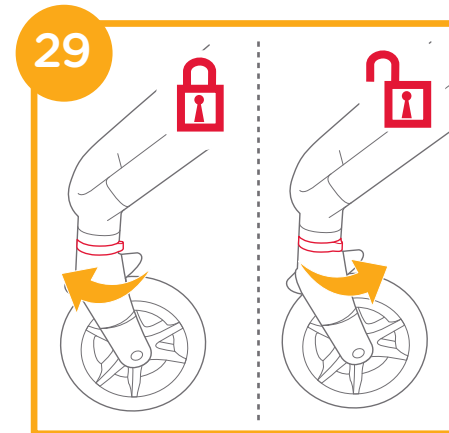
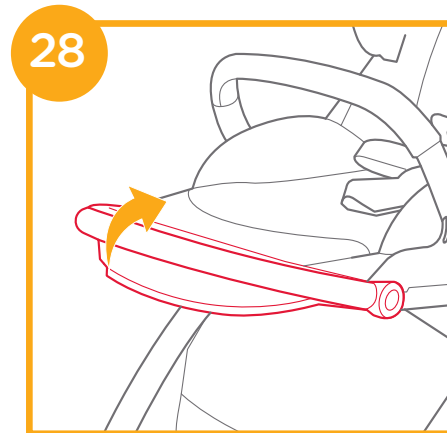
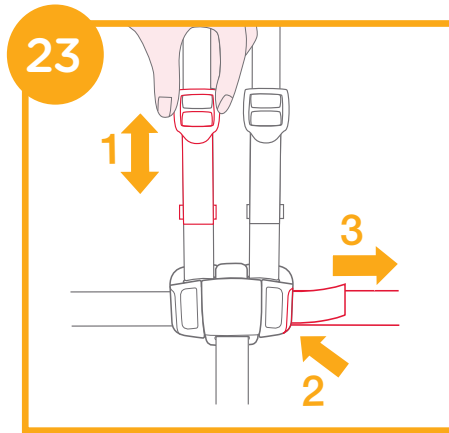
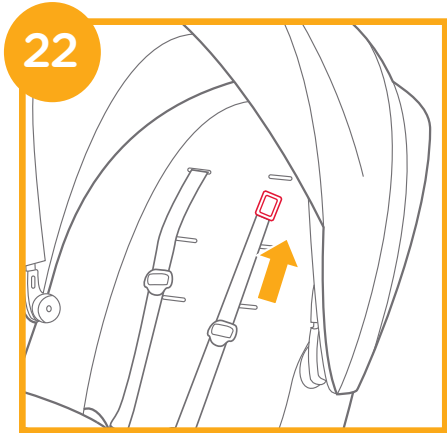
組裝及使用本產品前  
請先閱讀說明書全文

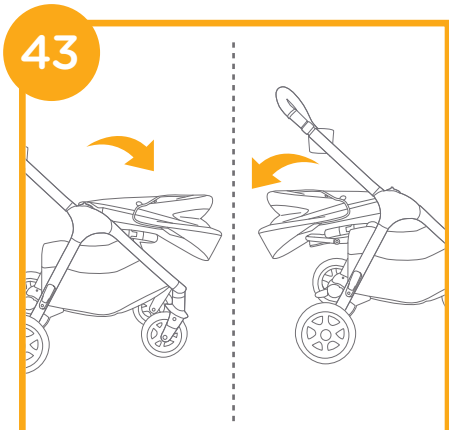
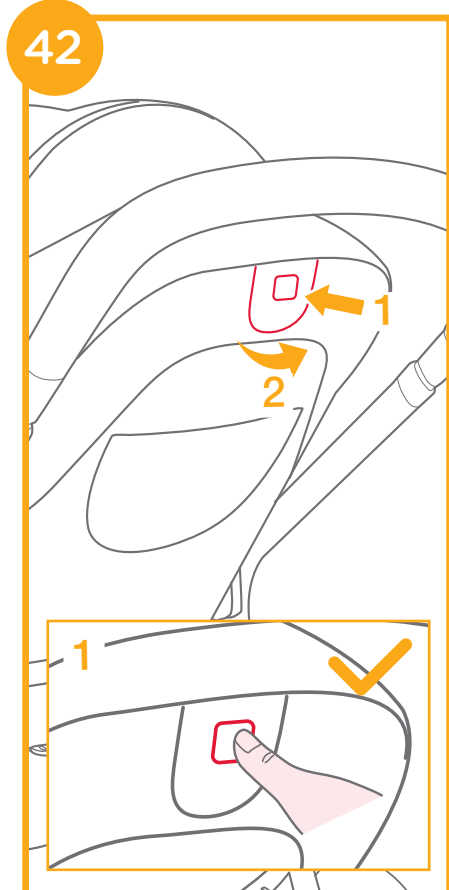
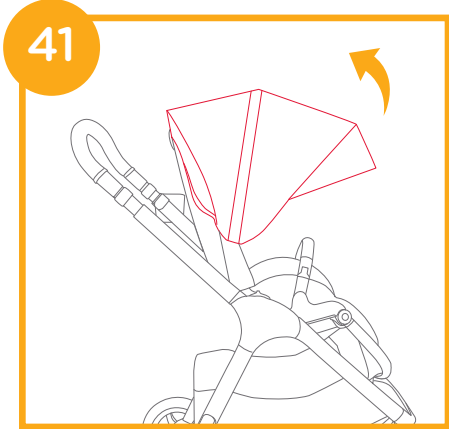
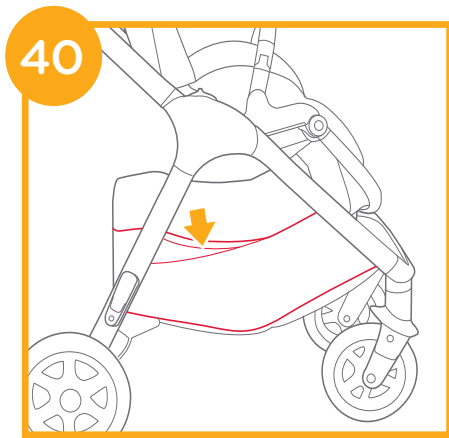
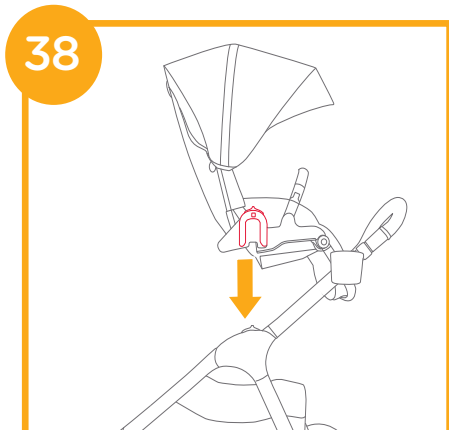
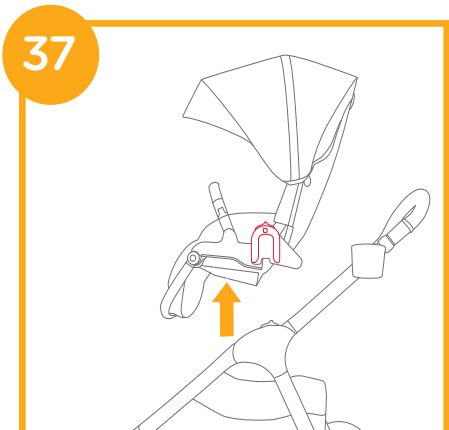
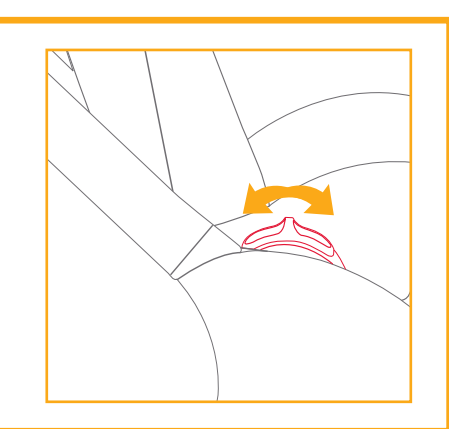
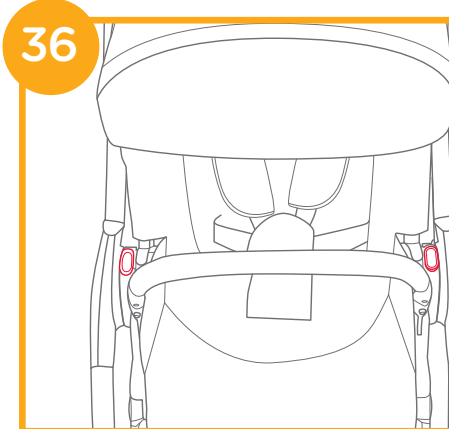
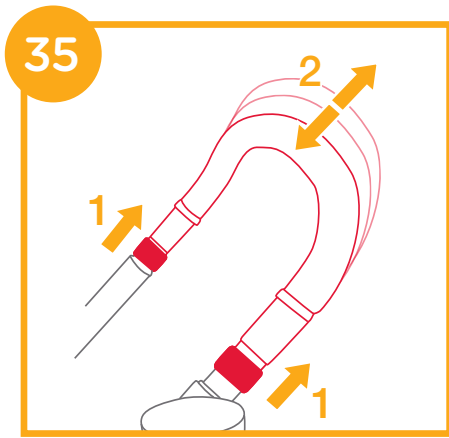
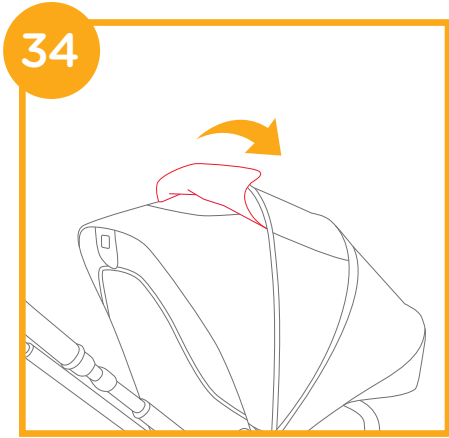


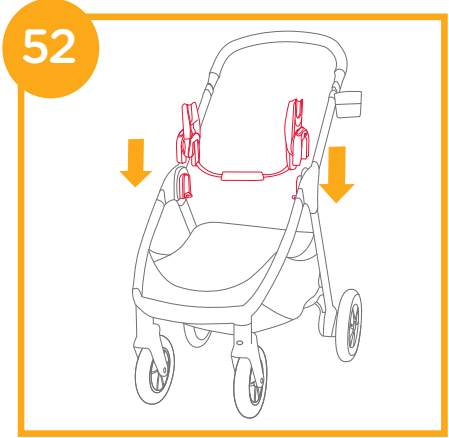
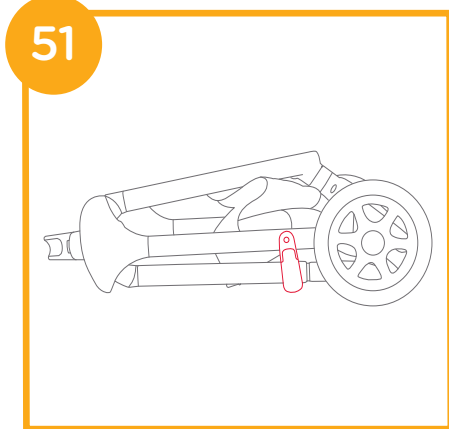
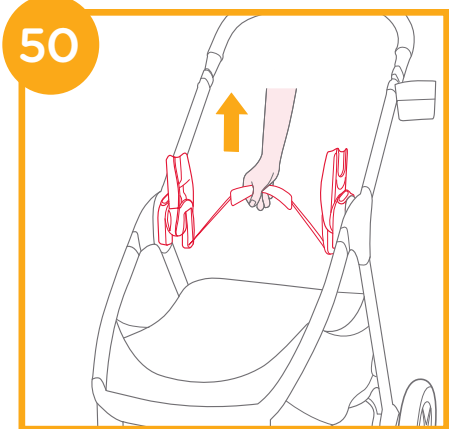
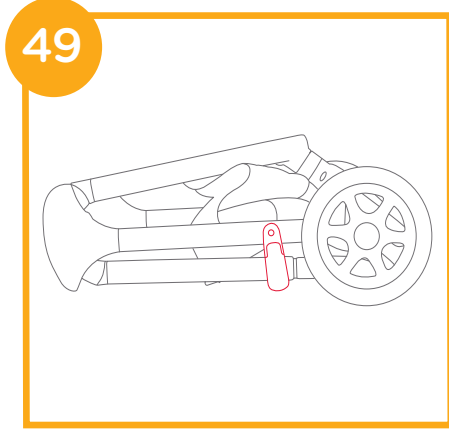
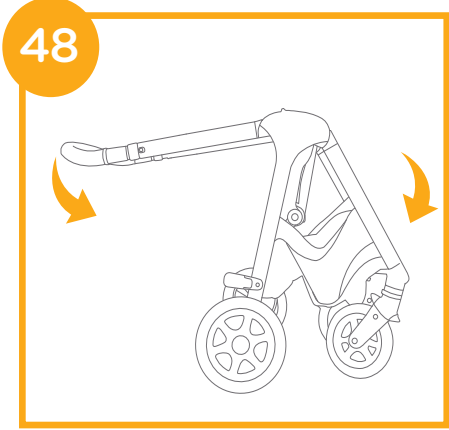
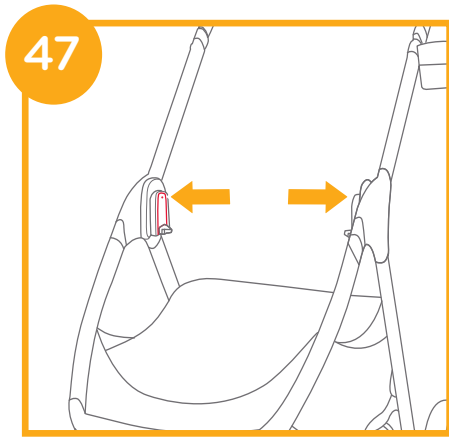
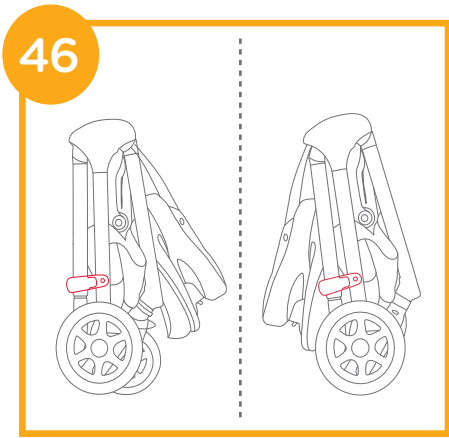
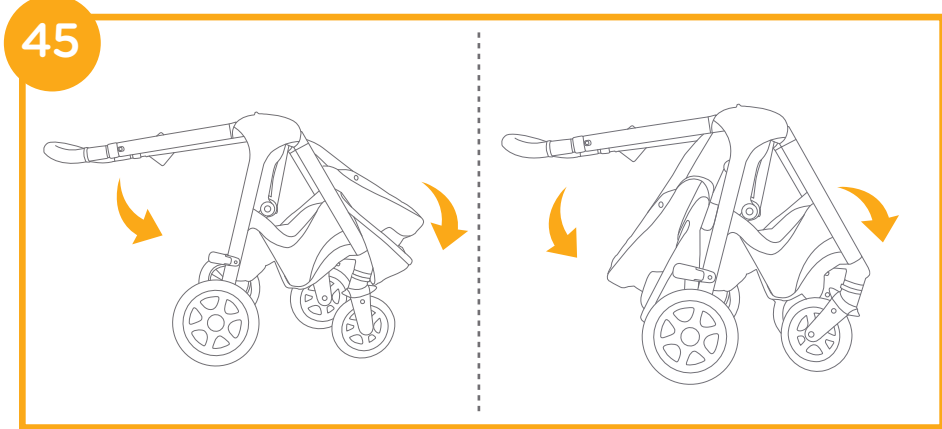
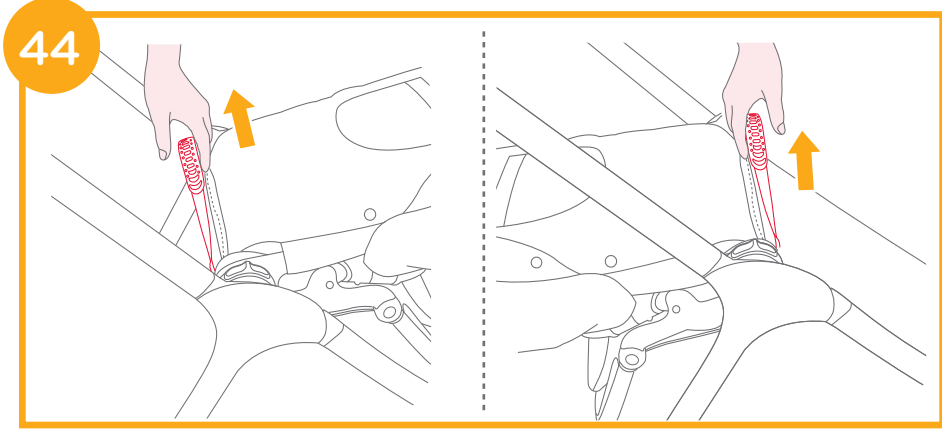
新生兒至15公斤/0-36個月  
重要 - 請保留好說明書以便日後參考

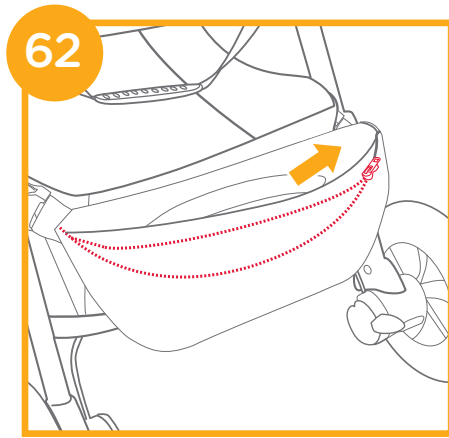
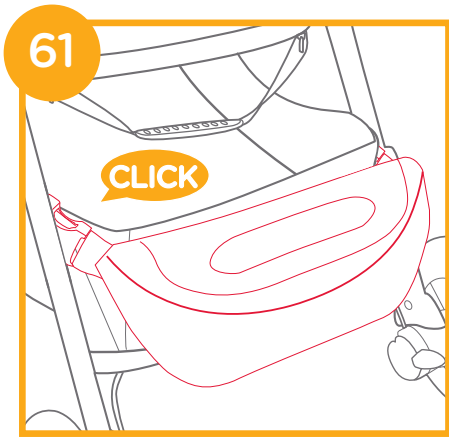
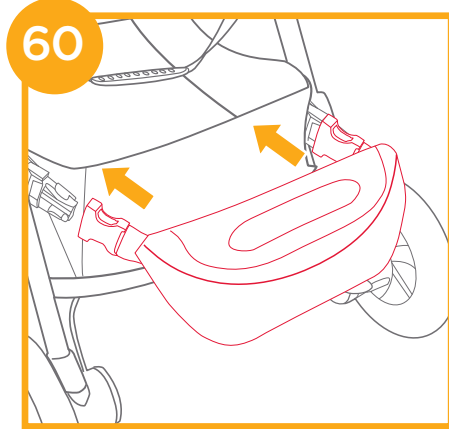
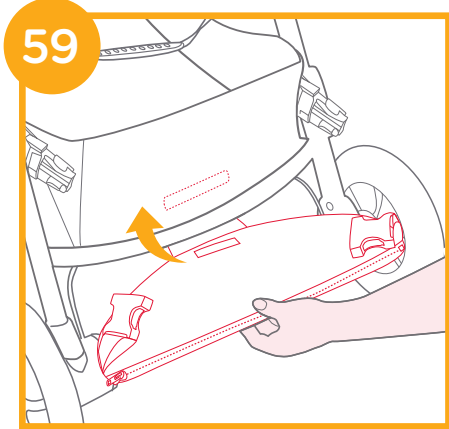
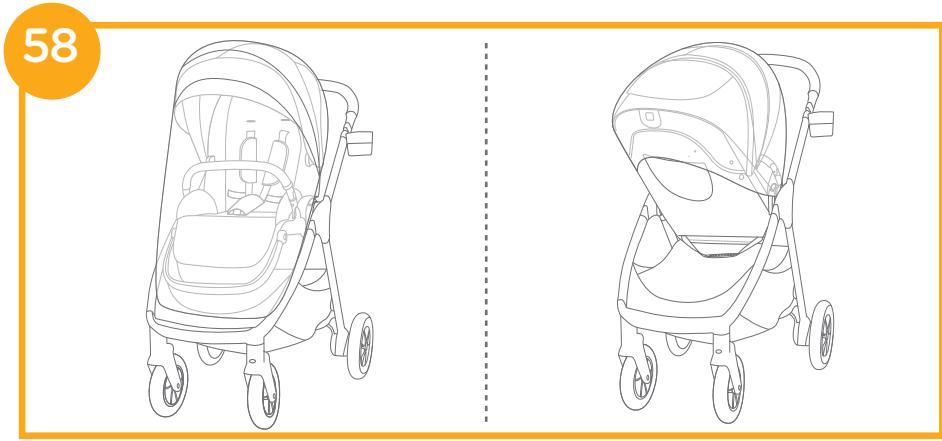
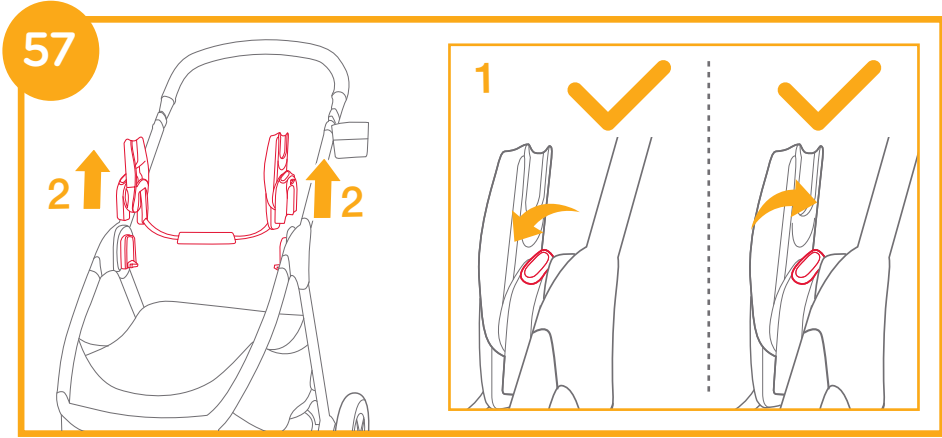
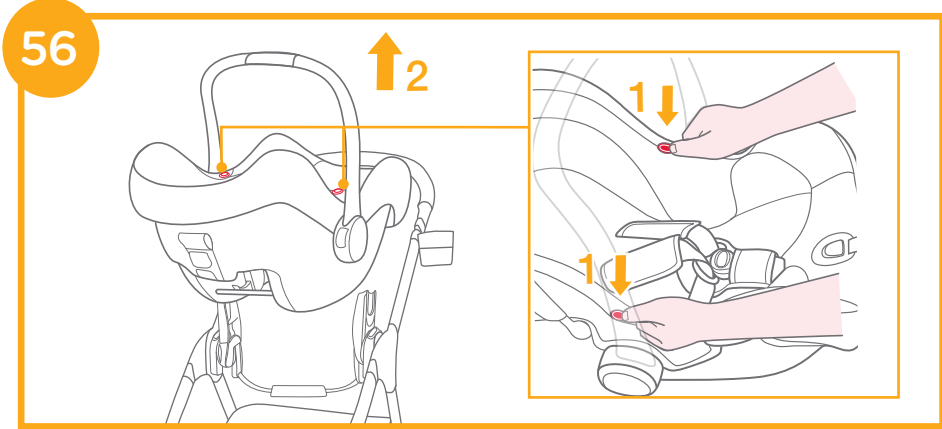
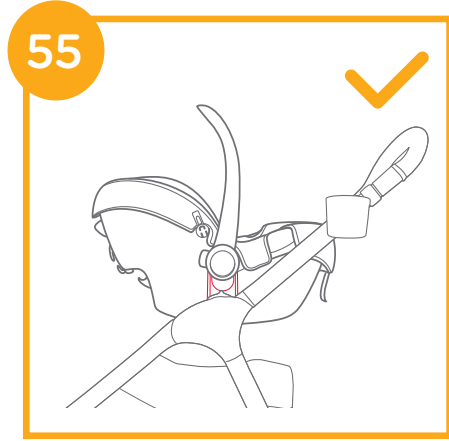
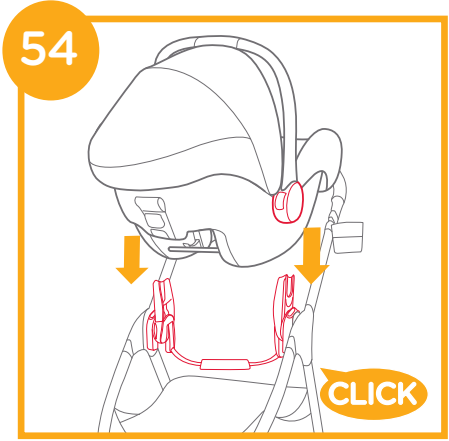


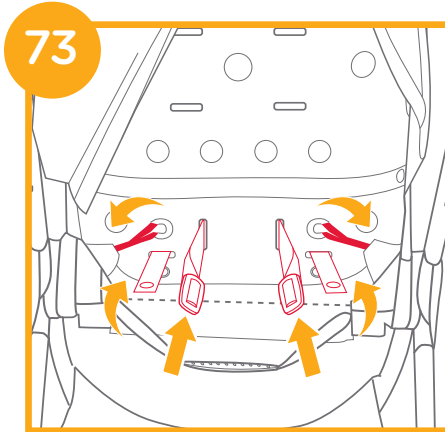
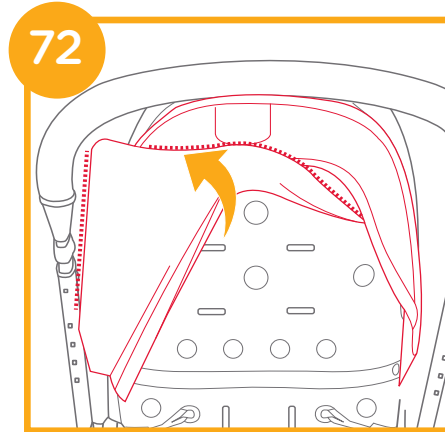
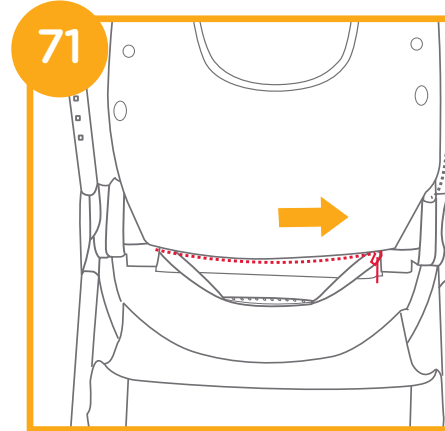
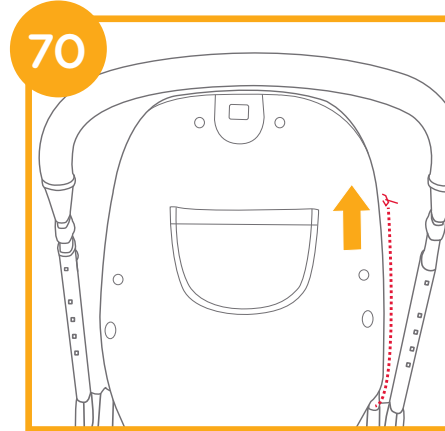
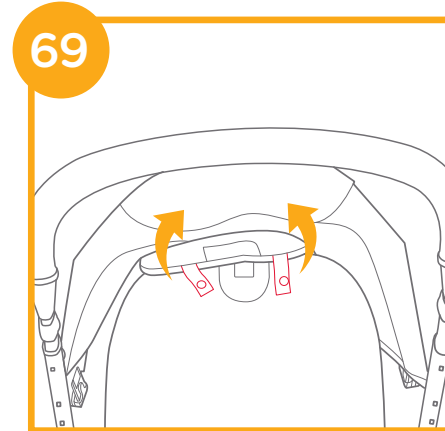
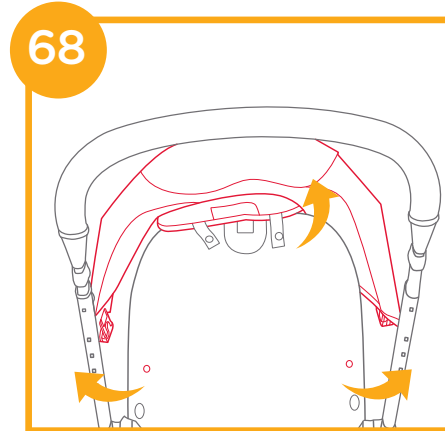
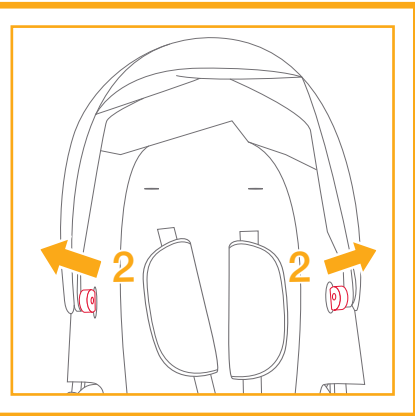
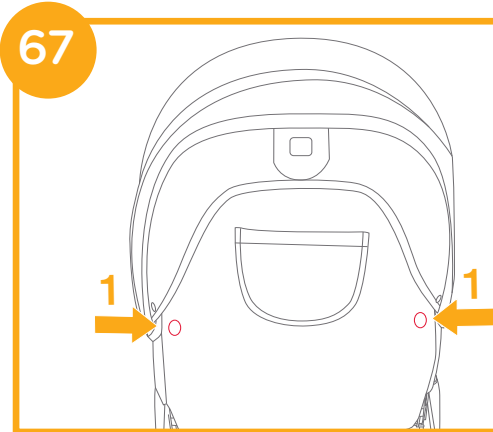
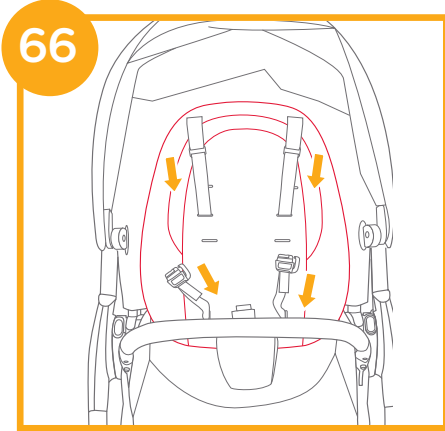
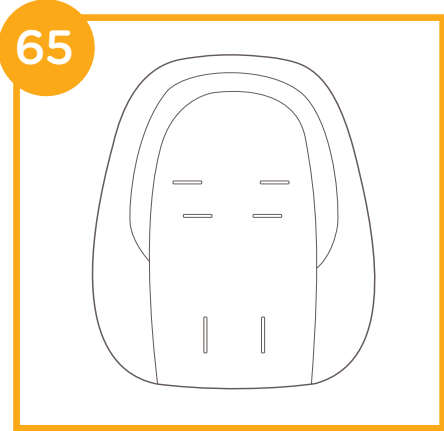
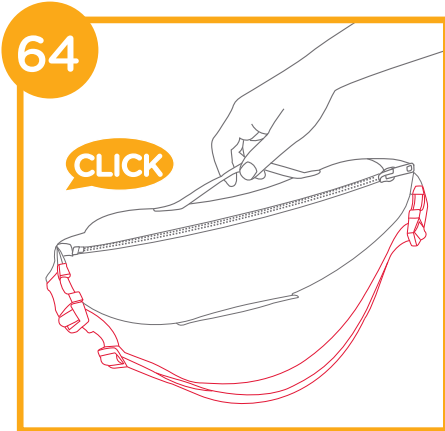
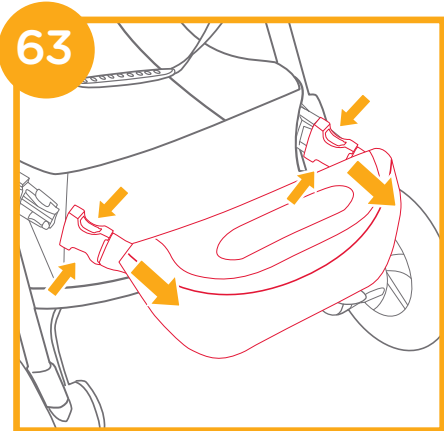




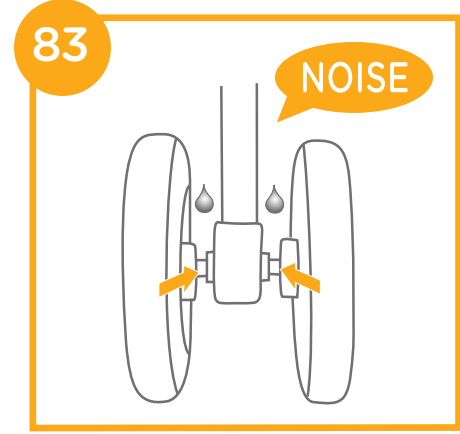
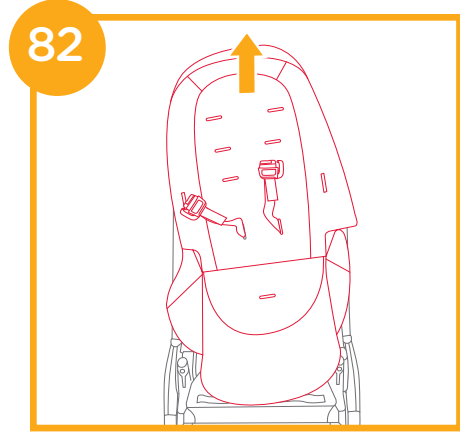
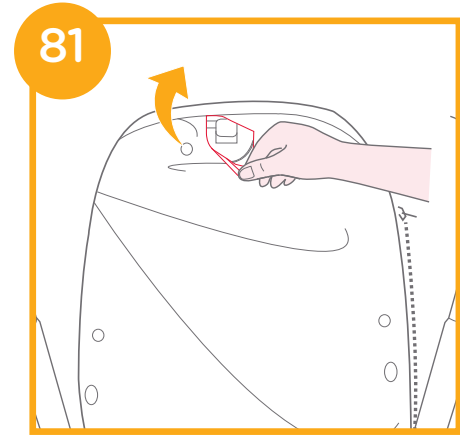
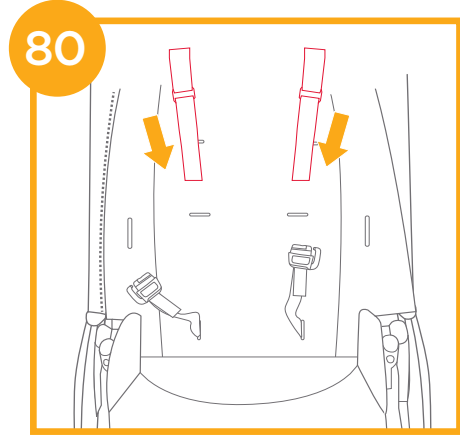
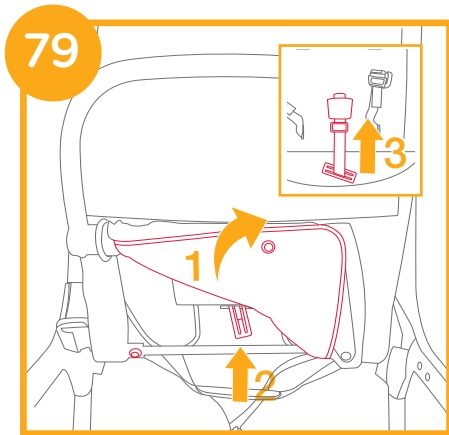
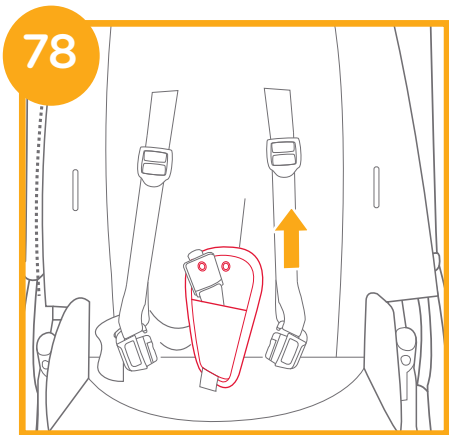
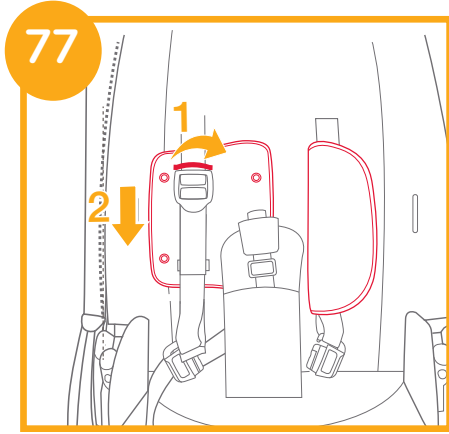
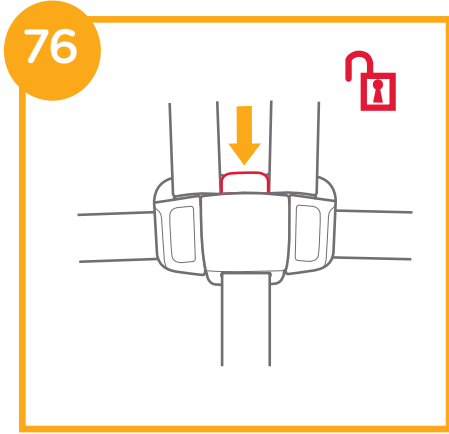
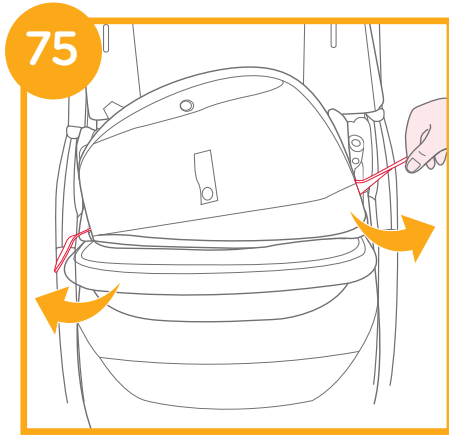
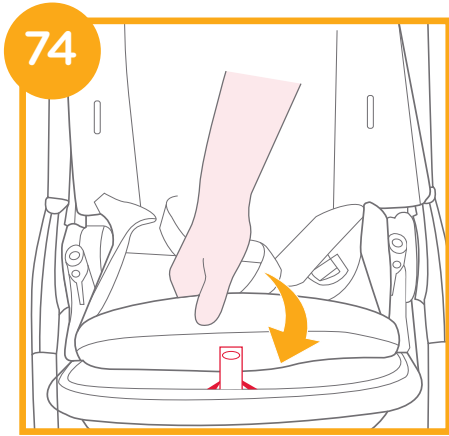












## CH 謝謝您使用本產品

祝賀您加入巧兒宜大家庭! 您剛買了一台符合安全標準CNS 12940-2013 和歐洲安全標準EN 1888-2:2018+A1:2022 的高品質Finiti 手推車。這台手推車適用於重量15 公斤以下的寶寶。台灣區域使用請依照CNS 標準規範。

請仔細閱讀本說明書並依照指示操作，這樣才能保障並提供您的寶寶一個安全又舒適的行車旅程。

**重要 - 請保留好說明書以便日後參考。**

如需要了解更多信息，請您訪問joiebaby.com 網站下載說明書或查看更多令人激動的Joie 產品!

## 目錄

參照圖示	1-16
緊急情況處理	18
產品資訊	19
產品組件及各部件名稱	20
警告	21
產品組裝	23
打開手推車	23
組裝&拆卸前輪	23
組裝&拆卸後輪	23
組裝遮陽篷	23
組裝&拆卸置物杯	23

產品操作	24
調整背靠角度	24
使用安全扣	24
使用肩帶和腰帶	25
使用扶手	25
調節小腿靠支撐板	25
前輪定向	26
使用剎車踏板	26
使用遮陽篷	26
調整車手	26
調整座椅方向	26
使用置物口袋	26
收合手推車	27
使用配件	27
使用汽車椅	27
使用雨篷	27
使用置物袋	28
使用小座墊	28
拆卸&組裝座布	28
保養常識	29

## 緊急情況處理

遇緊急事件或事故時，需迅速急救或送醫治療照顧您的寶寶是非常重要的。

# 產品資訊

Allison Baby UK Ltd.

Venture Point, Towers Business Park,

Rugeley, Staffordshire, WS15 1UZ

www.joiebaby.com

產品名稱 Finiti手推車

產品型號 S1606

最大體重 15公斤

適用嬰幼兒年齡 0-36個月

主要材質 塑膠、合金、布

淨重 11.21公斤

產品尺寸 850mmX610mmX1095mm

製造日期 詳見產品上貼紙日期(年/月/日)

專利號碼 專利申請中

原產地 中國

委製商 巧兒宜國際股份有限公司

進口商 巧兒宜國際股份有限公司

地址 台北市內湖區瑞光路431號2樓

電話 02-27973000

統一編號 52603333

代理商 奇哥股份有限公司 Chickabiddy Co., Ltd

地址 台北市南京東路四段186號5樓

服務專線 0800-001-256 / 02-25781188

統一編號 04222671

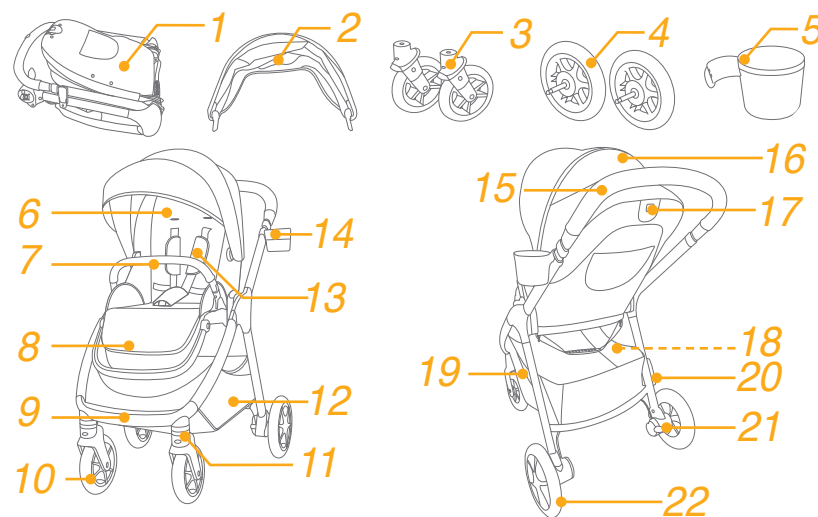
網址 www.chick.com.tw

使用本產品前請先閱讀說明書全文，如果您對於使用本產品還有任何疑問，請撥服務專線0800-001-256 / 02-25781188

# 產品組件及各部件名稱

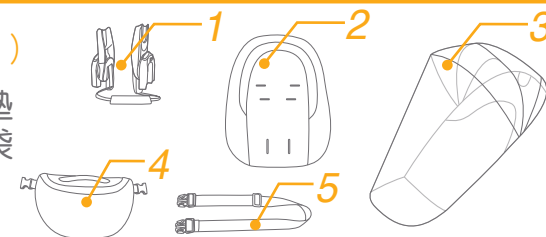
組裝前請確認所有部件已經齊全，如有遺漏，請與代理商聯繫。本產品無需工具進行組裝。

- |       |          |           |
|-------|----------|-----------|
| 1 主體  | 8 小腿靠    | 15 車手     |
| 2 遮陽篷 | 9 腳踏板    | 16 天窗     |
| 3 前輪  | 10 前輪    | 17 背靠調整拉桿 |
| 4 後輪  | 11 前輪定向鎖 | 18 置物口袋   |
| 5 置物杯 | 12 置物籃   | 19 置物口袋   |
| 6 座墊  | 13 肩帶    | 20 收合鉤    |
| 7 扶手  | 14 置物杯   | 21 剎車踏板   |
|       |          | 22 後輪     |



## 配件 (可能不包含)

- |       |       |
|-------|-------|
| 1 連接器 | 2 小座墊 |
| 3 雨篷  | 4 置物袋 |
| 5 背帶  |       |



因產品型號的不同，並非所有手推車均附以上配件。

# 警告

- ! 本產品須由成人進行組裝。
- ! 本手推車適合體重15公斤以下的寶寶使用，不符合使用條件的寶寶會對手推車造成損壞。
- ! 寶寶乘坐時應使用腰部及胯部的安全帶，並同時使用肩帶。
- ! 請勿擺放超過4.5公斤的物件於置物籃內，以免導致手推車不穩定而產生危險。
- ! 置物杯的最大載重為0.5公斤。
- ! 不得將嬰幼兒單獨留置車上無人看護。
- ! 不得附載其它的嬰幼兒、物品或附件於推車上。
- ! 超載或不正確的折疊及使用非經核准的零附件都可能造成車台損壞、故障或不安全，請務必閱讀製造商之說明書。
- ! 使用前請仔細閱讀本說明書並請妥善保存供以後參照。如果不按照本說明書可能會影響乘坐寶寶的安全。
- ! 寶寶乘坐時，安全帶或束縛系統必須正確的扣合及使用。
- ! 當調整手推嬰幼兒車上之任何可活動配件時必須確定嬰幼兒的肢體與車台保持安全距離。
- ! 嬰幼兒可能會滑入足底部分的缺口或造成窒息。
- ! 禁止於樓梯間使用手推嬰幼兒車。
- ! 使用時應遠離火源、高溫、水池或電源之臨近範圍。
- ! 不可讓嬰幼兒站立或倒坐於手推車上。
- ! 不可將手推嬰幼兒車放置於馬路、坡道或危險場所。
- ! 寶寶乘坐於手推車內時，不可將整個車台往上提。
- ! 請勿將任何繩索或索帶類物件懸掛於寶寶頸部附近，或扣在產品及玩具上，以免導致意外窒息。
- ! 請勿放置任何物品在車手、背靠後面或車台側面，以免影響手推車的穩定性。
- ! 不得同時乘坐二位以上嬰幼兒或附載其它物品、附件於推車上。
- ! 使用前應確實豎立及固定各機構以確保安全。
- ! 請勿將寶寶放到置物籃內。
- ! 請不要讓寶寶攀爬手推車，以免翻覆。
- ! 為避免手指夾傷問題，收合及展開手推車時，請務必小心。
- ! 寶寶接近手推車前，請確認手推車已完全打開或收合。
- ! 使用前請確定各部件安裝牢固以確保安全。
- ! 保持嬰幼兒遠離此篷罩/雨篷以免造成窒息。
- ! 停泊此手推嬰幼兒車時務必確實使用所有之制動裝置。
- ! 當發現手推車損壞時，應立即停止使用。
- ! 請勿使用其它廠商提供的零部件。
- ! 本產品不適用於跑步和滑冰，只適合以步行速度使用。
- ! 避免燙傷兒童，請勿將熱飲放入置物杯內。
- ! 使用本產品前，請取掉PE袋和包裝材料並銷毀，並放到嬰兒和兒童觸摸不到的地方。
- ! 供新生兒使用時，應使用最斜躺位置。
- ! 請勿允許您的寶寶將本產品當玩具玩耍。
- ! 當放入和抱出寶寶時，應鎖定剎車裝置。
- ! 當結合汽車椅使用時，本產品不可代替睡床使用。若您的寶寶需要睡眠時，請讓寶寶睡在合適的睡床上。
- ! 移動本產品時，輕放輕移，切忌硬拖猛推，以免造成產品結構等鬆動或斷裂。
- ! 任意放置未經製造商核可之物品於車台上將造成危險。
- ! 六個月大以下的嬰幼兒應同時使用腰部及胯部的安全帶。

## 產品組裝 (圖片請參閱說明書 1-16 頁)

組裝及使用手推車前，請先閱讀說明書全文，並按照說明書指示進行操作。

### 打開手推車

見圖 ① - ④

推開收合鉤 ①，然後將車手向上方拉起 ②，聽到“咔嚓”聲表示車架已打開到位 ③

將座椅如圖所示安裝 ④

！ 使用手推車前務必確保車架已打開到位。

### 組裝 & 拆卸前輪

見圖 ⑤ - ⑥

### 組裝 & 拆卸後輪

見圖 ⑦ - ⑧

### 組裝遮陽篷

見圖 ⑨ - ⑪

### 組裝 & 拆卸置物杯

見圖 ⑫ - ⑬

手推車組裝完成後如 ⑭ 所示。

## 產品操作

### 調整背靠角度

見圖 ⑮

依不同使用需求，背靠共有4個段位可供調節。

調高或調低背靠角度，抬起背靠調整拉桿，同時向上或向下調整靠背到合適的角度 ⑮

！ 調整背靠角度時，請勿按壓 ⑮ - 3 中間的釋鎖按鈕。

！ 確保背靠角度調整到合適角度後，方可使用。

！ 背靠後的儲物口袋最大儲物重量為：0.45kg

### 使用安全扣

見圖 ⑯ - ⑰

鬆開安全扣

按下母扣上的按鈕，安全扣會自動鬆開 ⑯

扣合安全扣

將肩帶扣插入腰帶扣 ⑰ - 1，再將他們與母扣平齊，便會自動吸附扣合 ⑰ - 2，聽到“咔嚓”聲表示扣合到位 ⑰ - 3

！ 為防止寶寶摔跌，寶寶乘坐時必須繫上安全帶。

！ 請牢牢地繫上安全帶，並注意寶寶與安全帶之間須可以放進一個手掌的厚度。

！ 請勿交叉肩帶，以免對寶寶頸部造成壓迫。

## 使用肩帶和腰帶

見圖18 - 23

！ 寶寶坐進手推車後，請確認肩帶孔高度和肩帶及腰帶的長度是否合適，以免寶寶於使用時意外跌出。

18 - 1 肩帶固定栓

18 - 2 調整扣

較大的寶寶使用時，請使用肩帶固定栓和最上方的肩帶孔；

較小的寶寶使用時，請使用肩帶固定栓和最下方的肩帶孔。

調整肩帶固定栓位置時，將背靠後方的肩帶固定栓放置水平、短邊朝前，從肩帶孔穿出21，再從背靠前方將肩帶固定栓穿過最接近寶寶肩膀的肩帶孔22

將調整扣上下滑動，可調節肩帶長度23 - 1。按壓按鈕23 - 2，同時往外拉安全扣內側或外側的腰帶，可調節腰帶長度23 - 3

## 使用扶手

見圖24 - 26

## 調節小腿靠支撐板

見圖27 - 28

依不同使用需求，小腿靠共有2個段位可供調節。

段位調低時，按壓小腿靠兩側的調整按鈕27 - 1，同時向下調節小腿靠支撐板27 - 2

段位調高時，將小腿靠支撐板由下往上推即可。聽到“咔嗒”聲表示小腿靠支撐板卡合到位。

## 前輪定向

見圖29

向左旋轉前輪定向鎖定。向右旋轉前輪定向釋鎖29

**使用小秘訣** 當在碎石路面或不平路面推行時，建議鎖定前車輪，便能更輕鬆地操控手推車。

## 使用剎車踏板

見圖30 - 31

準備剎車時，踩下剎車踏板30

打開剎車時，將剎車踏板抬起31

**使用小秘訣** 手推車停止前進時，請踩下剎車踏板。

## 使用遮陽篷

見圖32 - 34

拉開拉鏈33並向前打開遮陽篷，可以更好的保護寶寶避免被陽光直接照射。

## 調整車手

見圖35

## 調整座椅方向

見圖36 - 39

## 使用置物口袋

見圖40

置物籃兩側的置物口袋最大儲物重量為：0.45kg

## 收合手推車

見圖 41 - 51

- ! 按壓中間的釋鎖按鈕可以收合座椅 42 - 1
- ! 將車手調到最低檔位，手推車收合後可站立 46
- ! 當車架上安裝連接器時，拉動連接器中間的織帶 50。也可收合車架。
- ! 手推車收合時收合鉤會自動鎖定 46 49 51

## 使用配件

因產品型號的不同，並非所有手推車均附以下配件。

## 使用汽車椅

見圖 52 - 57

當與Joie汽車椅gemm & i-Level 配合使用時，請參考以下警告：

- ! 聽到“咔嚓”聲表示連接器卡合到位。
- ! 關於使用汽車椅有任何問題，請參考汽車椅說明書。
- ! 請勿收合已安裝汽車椅的手推車。

## 使用雨篷

見圖 58

將雨篷套到車架上 58

- ! 使用雨篷時，請隨時注意並確認雨篷內有良好的通風。
- ! 不使用雨篷時，請先確認雨篷已清潔並乾燥，再收納。
- ! 請勿收合已罩上雨篷的手推車。
- ! 天氣炎熱時，請勿將寶寶放在裝有雨篷的手推車內。

## 使用置物袋

見圖 59 - 64

置物袋最大儲物重量為：1kg

置物袋可以從菜籃上移除單獨使用 64

## 使用小座墊

見圖 65 - 66

## 拆卸& 組裝座布

見圖 67 - 82

移除扶手如 26 所示。

依反向操作即可組裝座布 82 - 67

# 保養常識

見圖 83

- ! 清洗座布時，請使用溫水清洗，請勿漂白。具體請參考手推車上洗滌標版內容。
- ! 清洗車架：僅能使用中性清潔劑及溫水洗滌，請勿使用漂白劑。清洗後用吸水的布擦幹防止生鏽。
- ! 隨時檢查您的手推車，並隨時更換或修理鬆弛磨損的零件、脫落的材料或車縫線。
- ! 過度曝曬於陽光下，可導致手推車老化或變形。
- ! 手推車潮濕時，請打開手推車及遮陽篷，待乾燥後再收合起來。
- ! 如果輪子發出“吱吱”聲，可加油(WD-40，防鏽油或縫紉機油)潤滑。請將潤滑油點入輪軸及軸孔 83 之間，此步驟為重要的保養須知。
- ! 在海邊使用手推車時，務必於使用過後清除沙粒，以做好完善的清洗。



## 延長保固服務

請於購買起一個月內至奇哥官網進行登錄，登錄成功後即享有商品延長一年保固服務。

## NOTE



# Joie™ signature

---

## finiti™ stroller

**Instruction Manual**  
Read these instructions carefully before use and keep them for future reference. Your child's safety may be affected if you do not follow these instructions.



Suitable for birth to 15kg/0-36 months  
**IMPORTANT-**  
**READ CAREFULLY AND KEEP FOR FUTURE REFERENCE**

## **GB** Welcome to Joie™

Congratulations on becoming part of the Joie family! We are so excited to be part of your journey with your little one. While traveling with the Joie Finiti™, you are using a high quality, fully certified stroller, approved to Taiwan safety standards CNS 12940-2013. This product is suitable for children weighing under 15kg. Please carefully read this manual and follow each step to ensure a comfortable ride and best protection for your child.

**IMPORTANT - READ CAREFULLY AND KEEP FOR FUTURE REFERENCE.**

Visit us at [joiebaby.com](http://joiebaby.com) to download manuals and see more exciting Joie products!

For warranty information, please visit our website at [joiebaby.com](http://joiebaby.com)

### Contents

Figures	1-16
WARNING	37
<b>Stroller Assembly</b>	<b>39</b>
Open Stroller	39
Assemble & Detach Front Wheel	39
Assemble & Detach Rear Wheel	39
Assemble Canopy	39
Assemble & Detach Cupholder	39

<b>Stroller Operation</b>	<b>40</b>
Adjust Backrest	40
Use Buckle	40
Use Shoulder & Waist Harnesses	41
Use Armbar	41
Adjust Calf Support	41
Use Front Swivel Lock	42
Use Brake	42
Use Canopy	42
Adjust Handle	42
Switch Seat	42
Use Storage Bag	42
Fold Stroller	43
Use Accessories	43
<b>Detach &amp; Assemble Soft Goods</b>	<b>45</b>
<b>Cleaning and Maintenance</b>	<b>45</b>

### Emergency

In case of emergency or accident, it is most important to have your child taken care of with first aid and medical treatment immediately.

# Product Information

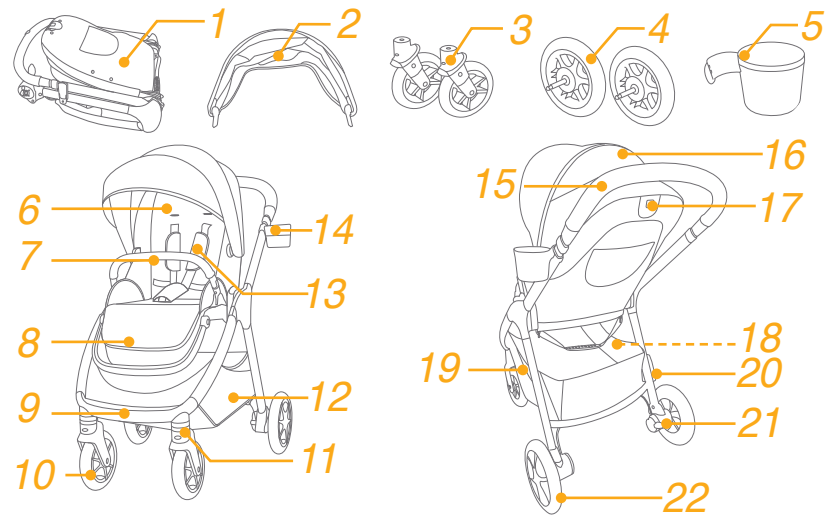
Read all the instructions in this manual before using this product. If you have any further questions, please consult the retailer. Some features may vary depending on model.

<b>Product</b>	Finiti Stroller
<b>Suitable for</b>	This product is suitable for children weighing under 15kg.
<b>Materials</b>	Plastics, metal, fabrics
<b>Patent No.</b>	Patents pending
<b>Made in</b>	China

# Parts List

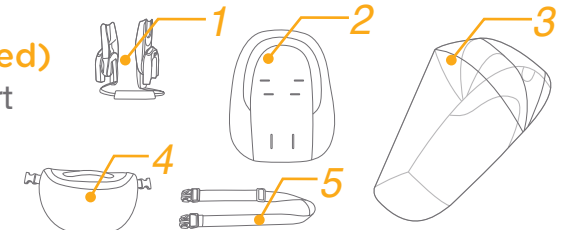
Make sure all parts are available before assembly. If any part is missing, please contact local retailer. No tools are required for assembly.

- |                  |                     |
|------------------|---------------------|
| 1 Stroller Frame | 12 Storage Basket   |
| 2 Canopy         | 13 Shoulder Harness |
| 3 Front Wheel    | 14 Cupholder        |
| 4 Rear Wheel     | 15 Handle           |
| 5 Cupholder      | 16 Canopy Window    |
| 6 Seat Pad       | 17 Recline Handle   |
| 7 Armbar         | 18 Storage Bag      |
| 8 Calf Support   | 19 Storage Bag      |
| 9 Footrest       | 20 Storage Latch    |
| 10 Front Wheel   | 21 Brake Lever      |
| 11 Swivel Lock   | 22 Rear Wheel       |



# Accessories (May not be included)

- |                  |          |
|------------------|----------|
| 1 Adapter        | 2 Insert |
| 3 Rain Cover     |          |
| 4 Storage Pocket |          |
| 5 Carrying Belt  |          |



Accessories may be sold separately or may not be available depending on region.

## WARNING

- ! Never leave the child unattended.
- ! Ensure that all the locking devices are engaged before use.
- ! To avoid injury ensure that the child is kept away when unfolding and folding this product.
- ! Do not let the child play with this product.
- ! This product is suitable for children weighing under 15kg.
- ! Always use the restraint system.
- ! Check that the seat unit or car seat attachment devices are correctly engaged before use.
- ! This product is not suitable for running or skating.
- ! Use the stroller with a child weighing less than 15kg. It will cause damage to the stroller with an unfitted child.
- ! Pushchair designed to be used from birth shall recommend the use of the most reclined position for new born babies.
- ! The parking device shall be engaged when placing and removing children.
- ! To prevent a hazardous, unstable condition, do not place more than 4.5kg in the storage basket.
- ! The maximum recommended weight in the cupholder is 1lbs (0.5kg).
- ! Use the stroller with only one child at a time.
- ! Do not attach items to the handle, seat back or sides of the stroller. Any additional load will affect the stability of the stroller and could cause the stroller to tip.
- ! Any load attached to the handle and/or on the back of the backrest and/or on the sides of the stroller will affect the stability of the stroller.
- ! Accessories which are not approved by the manufacturer shall not be used. Only replacement parts supplied or recommended by the manufacturer shall be used.
- ! For infant child restraints used in conjunction with a chassis, this vehicle does not replace a cot or a bed. Should your child need to sleep, then it should be placed in a suitable pram body, cot or bed.
- ! To avoid suffocation, remove plastic bag and packaging materials before using this product. The plastic bag and packaging materials should then be kept away from babies and children.
- ! Adult assembly required.
- ! Please read all the instructions in the manual before using the product. Please save instruction manual for future use. Failure to follow these warnings and instructions may result in serious injury or death.
- ! To avoid serious injury from falling or sliding out, always use seat belt.
- ! Make sure your child's body is clear from the moving parts when adjusting the stroller.
- ! Never use stroller on stairs or escalators.
- ! Keep away from high temperature objects, liquids, and electronics.
- ! Never place the stroller on roads, slopes or dangerous areas.
- ! To avoid strangulation, DO NOT place items with a string around your child's neck, suspend strings from this product, or attach strings to toys.
- ! DO NOT use storage basket as a child carrier.
- ! To avoid finger entrapment, use care when folding and unfolding the stroller.
- ! To ensure your child's safety, please make sure all parts are assembled and fastened properly before using the stroller.
- ! To avoid strangulation, do make sure your child is clear from the canopy.
- ! Always engage the brakes when parking the stroller.
- ! Discontinue using stroller if it is damaged or broken.
- ! To avoid burns, never put hot liquids in your cupholder.
- ! No additional mattress shall be added unless recommended by the manufacturer

## Stroller Assembly

(Please refer to figures on page 1-16)

Please read all the instructions in this manual before assembling and using this product.

### Open Stroller

see images ① - ④

Separate storage latch from storage mount ①, and then lift the handle upwards ②, a click sound means the stroller is open completely. ③

The seat is reversible. ④

! Check that the stroller is completely latched before continuing to use.

### Assemble & Detach Front Wheel

see images ⑤ - ⑥

### Assemble & Detach Rear Wheel

see images ⑦ - ⑧

### Assemble Canopy

see images ⑨ - ⑪

### Assemble & Detach Cupholder

see images ⑫ - ⑬

The completely assembled stroller is shown as ⑭

## Stroller Operation

### Adjust Backrest

see image ⑮

There are 4 recline angles for the backrest.

To raise or recline the backrest, rotate the recline handle on the back of the seat, pull down on the backrest. ⑮

! Please do not press the releasing button ⑮ - 3 on the middle of the recline handle when adjusting the angle for the recline.

! Make sure the recline is set properly for use.

! The maximum load of storage pocket on the back of backrest is 0.45kg.

### Use Buckle

see images ⑯ - ⑰

Release Buckle

Press the button, the buckle will release automatically. ⑯

Lock Buckle

Match the waist belt buckle with the shoulder buckle ⑰ - 1, and align them with the center buckle, the buckle can lock automatically. ⑰ - 2 A “click” sound means the buckle is locked completely. ⑰ - 3

! To avoid serious injury from falling or sliding out, always secure your child with harness.

! Make sure your child is snugly secured. The space between the child and the shoulder harness is about the thickness of one hand.

! Do not cross the shoulder belts. This will cause pressure on a child's neck.

## Use Shoulder & Waist Harnesses

see images 18 - 23

! In order to protect your child from falling out, after your child is placed into the seat, check whether the shoulder and waist harnesses are at proper height and length.

18 - 1 Shoulder harness anchor

18 - 2 Slide adjuster

For larger child, use shoulder harness anchor and the highest shoulder slots. For smaller child, use shoulder harness anchor and the lowest shoulder slots.

To adjust the position of the shoulder harness anchor, turn the anchor to be level with the side facing forward. Thread it through the shoulder harness slot from back to front. 21  
Rethread it through the slot that is closest to child's shoulder height. 22

Use slide adjuster to change the harness length. 23 - 1

Press the button 23 - 2, while pulling the waist harness to proper length. 23 - 3

## Use Armbar

see images 24 - 26

## Adjust Calf Support

see images 27 - 28

The calf support has 2 positions.

To lower calf support, press the adjustment buttons on both sides of the calf support 27 - 1, and rotate the calf support downwards. 27 - 2

To raise the calf support, push it upwards. A "click" sound means the calf is locked completely.

## Use Front Swivel Lock

see image 29

Rotate swivel lock left to orient, Rotate Swivel Lock right to release 29

**Tip** It is recommended to use swivel lock on uneven surfaces.

## Use Brake

see images 30 - 31

To lock wheels, step the brake lever downwards. 30

To release wheels, just lift the brake lever upwards. 31

**Tip** Always set the parking brake when stroller is not moving.

## Use Canopy

see images 32 - 34

The canopy can be opened completely to protect your child from the sun uttermostly, just unzip the zip 33, and then pull the canopy toward front.

## Adjust Handle

see image 35

## Switch Seat

see images 36 - 39

## Use Storage Bag

see image 40

The maximum load of each storage bag on the both side of basket is 0.45kg.

## Fold Stroller

see images 41 - 51

- ! The button on the middle of the recline handle is used for folding the seat. 42 - 1
- ! The folded stroller can stand when the handle is in the lowest position. 46
- ! You can fold the stroller by pulling the webbing on the middle of the adapter when the adapter assembled on the frame. 50
- ! The storage latch will automatically hook onto the storage mount, then the stroller is folded and locked completely. 46 49 51

## Use Accessories

Accessories may be sold separately or may not be available depending on region.

## Use with Infant Child Restraint

see images 52 - 57

When using with Joie infant child restraint gemm & i-Level please refer to the following instructions.

- ! A “click” sound means the adapter is locked completely.
- ! If you have any problems about using the infant child restraint, please refer to their own instruction manuals.
- ! Please do not fold the stroller when the infant child restraint is still attached.

## Use Rain Cover

see image 58

To assemble the rain cover, place it over the seat.

- ! When using the rain cover, please always check its ventilation.
- ! When not in use, please check that the rain cover has been cleaned and dried before folding.
- ! Do not fold the stroller after assembling the rain cover.
- ! Do not place your child into the stroller assembled with rain cover during hot weather.

## Use Storage Pocket

see images 59 - 64

Total maximum weight of storage pocket must not exceed 1kg.

Storage Pocket can be removed from basket to use separately. 64

## Use Insert

see images 65 - 66

## Detach & Assemble Soft Goods

see images 67 - 82

Remove armbar shown as 26

To re-assemble seat soft goods, follow the steps above in reverse 82 - 67

## NOTE

## Cleaning and Maintenance

see image 83

- ! To clean stroller frame, use only household soap and warm water. No bleach or detergent. Please refer to the care label for instructions on cleaning the fabric parts of the stroller.
- ! Removable soft goods can be washed by machine. No bleach. Do not twist the seat cover and inner padding to dry with great force. It may leave the seat cover and inner padding with wrinkles.
- ! From time to time, check your stroller for loose screws, worn parts, torn material or stitching. Replace or repair the parts as needed. Periodically wipe clean plastic parts with a soft damp cloth. Always dry the metal parts to prevent the formation of rust if the stroller has come into contact with water.
- ! Excessive exposure to sun or heat could cause fading or warping of parts.
- ! If stroller becomes wet, open canopy and allow to dry thoroughly before storing.
- ! If wheels squeak, use a light oil (e.g., Silicon Spray, antirust oil, or sewing machine oil). It is important to get the oil into the axle and wheel assembly. 83
- ! When using your stroller at the beach or other sandy/dusty environments, completely clean your stroller after use to remove sand and salt from mechanisms and wheel assemblies.





Allison Baby UK Ltd,  
Venture Point, Towers Business Park  
Rugeley, Staffordshire, WS15 1UZ

NUNA International B.V.  
Van der Valk Bourmanweg 178 C,  
2352 JD Leiderdorp, The Netherlands

view all fine signature selections at  
[joiebaby.com/signature](http://joiebaby.com/signature)

IM-000498K