

Joie™

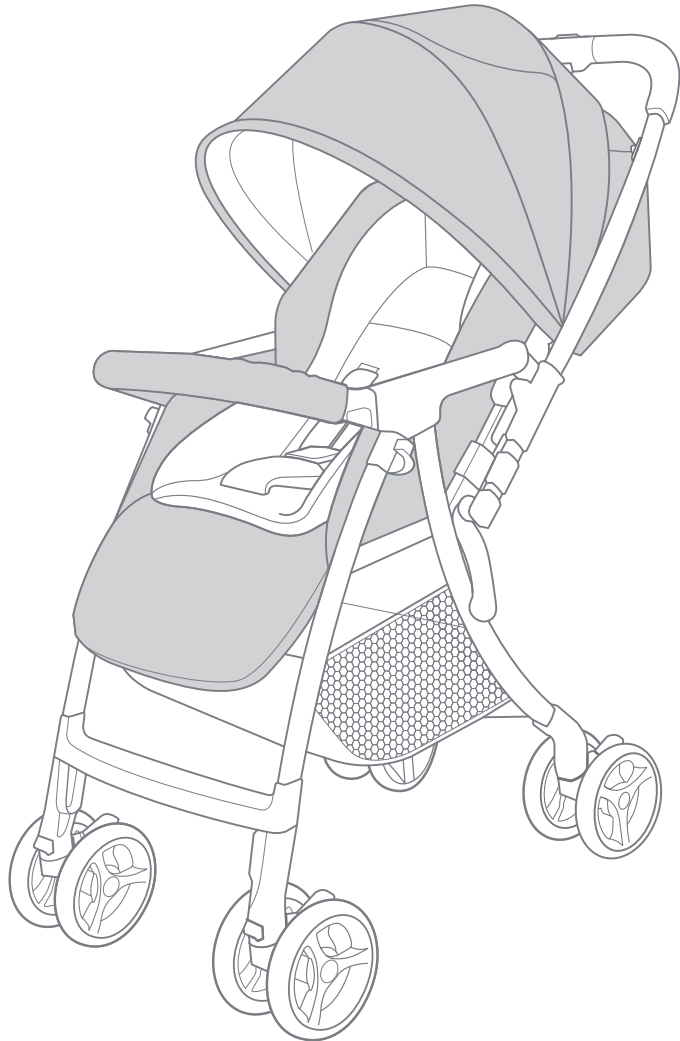
birth to 15kg/0-36 months

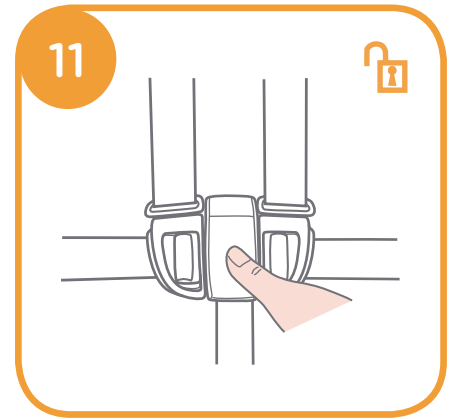
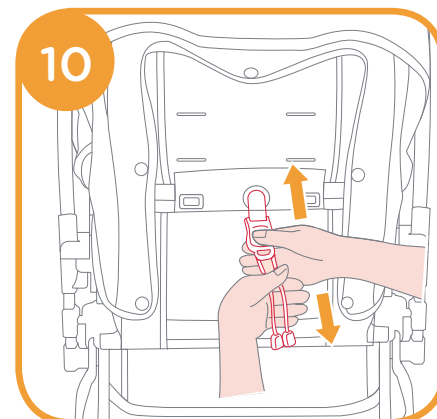
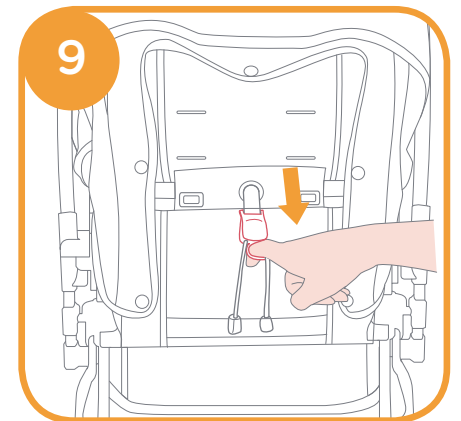
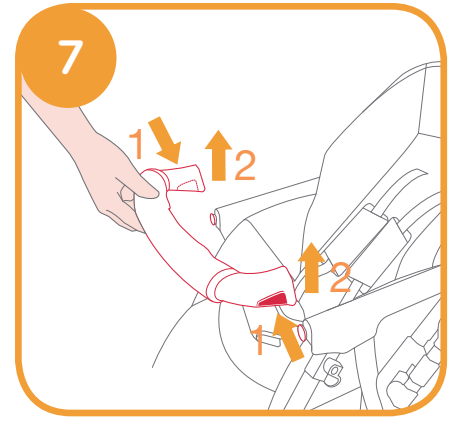
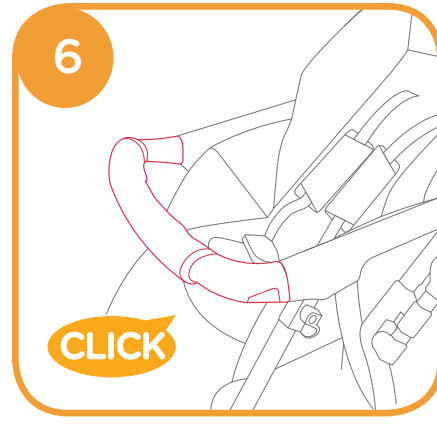
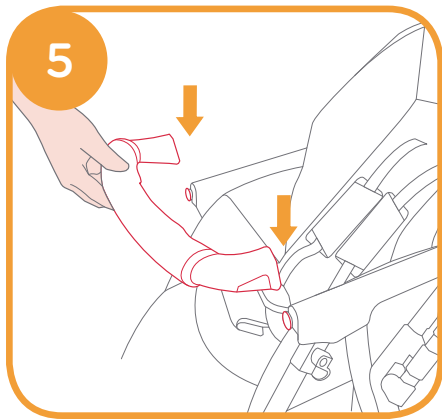
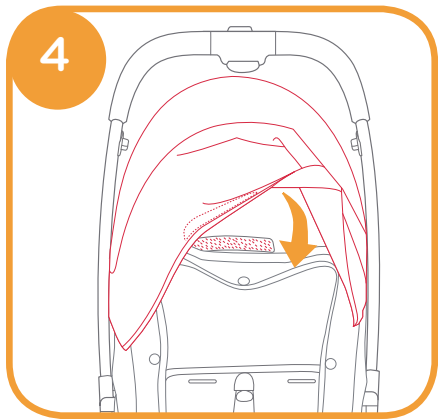
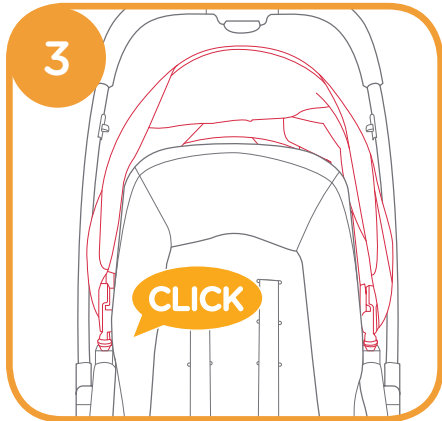
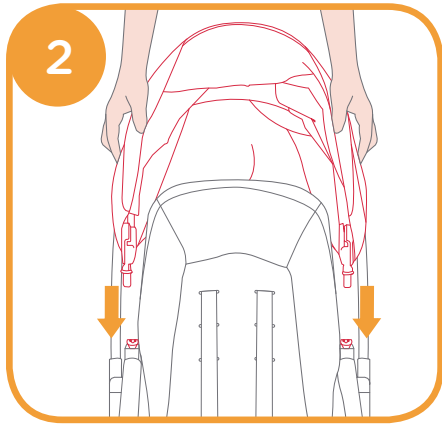
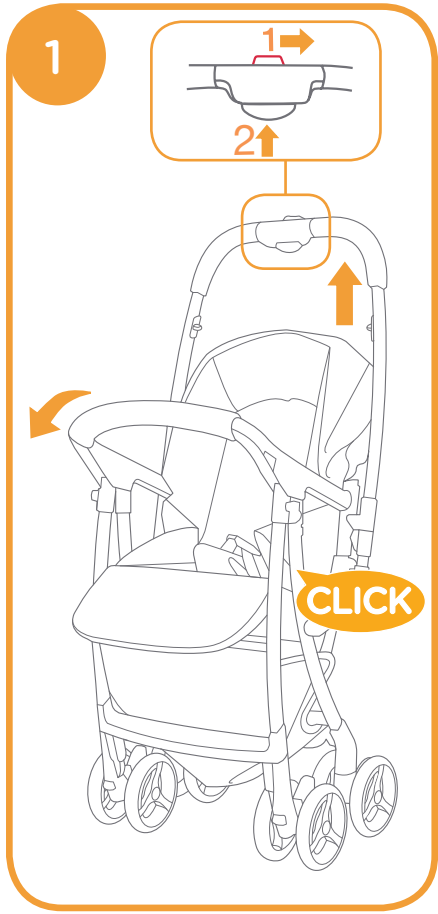
## float™ 4WD

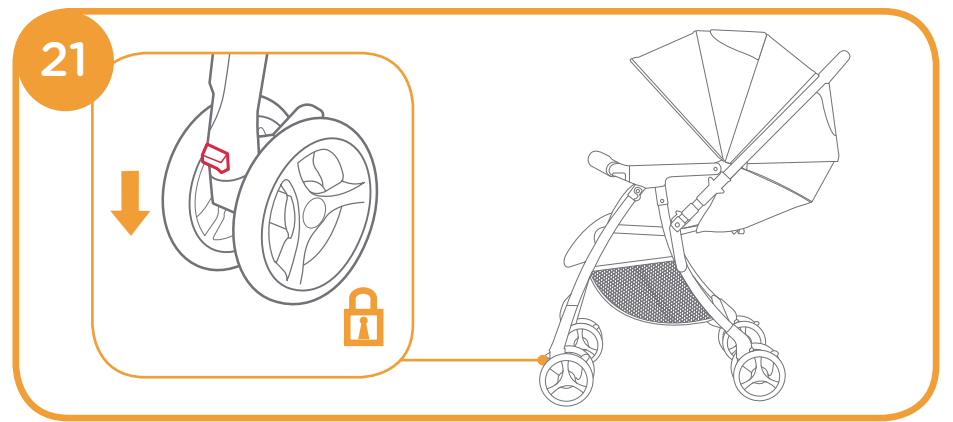
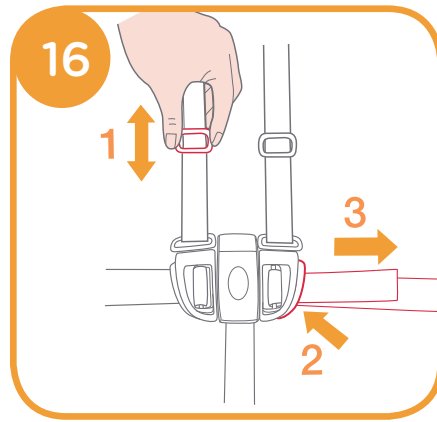
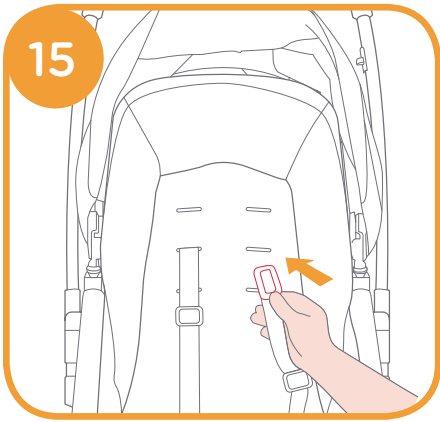
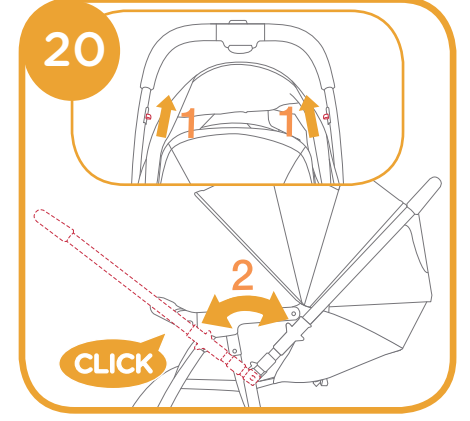
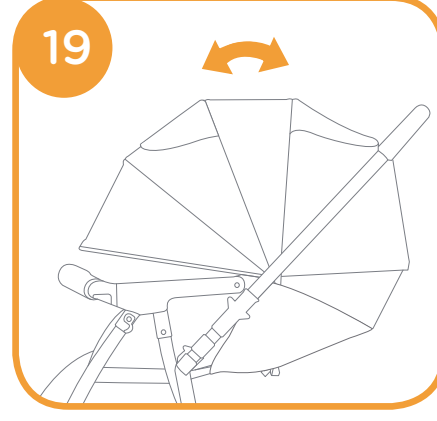
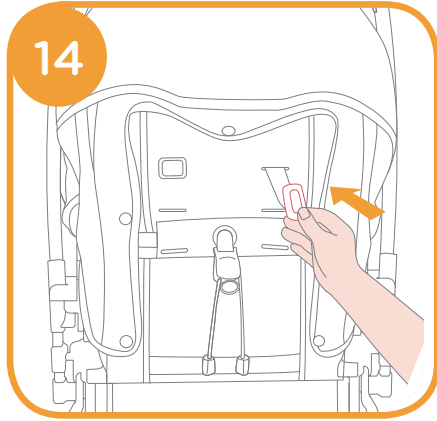
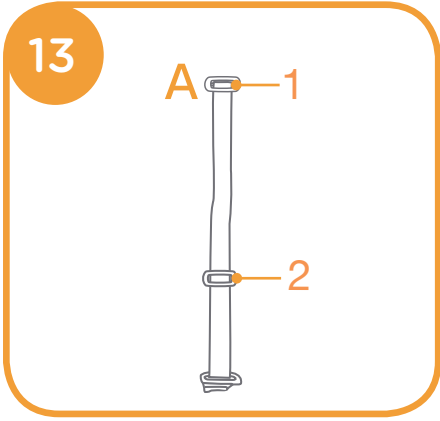
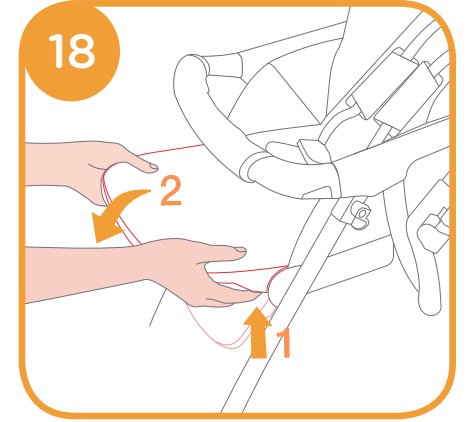
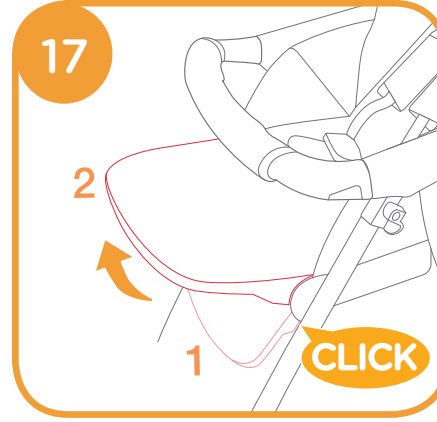
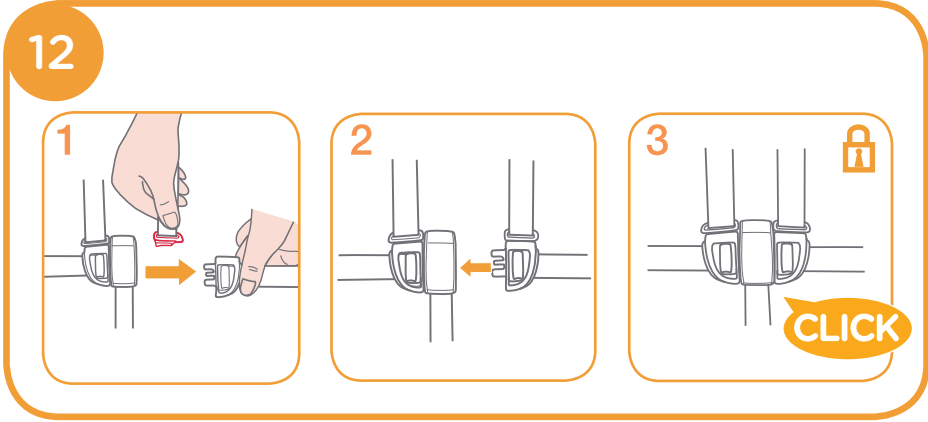
超輕量雙向手推車

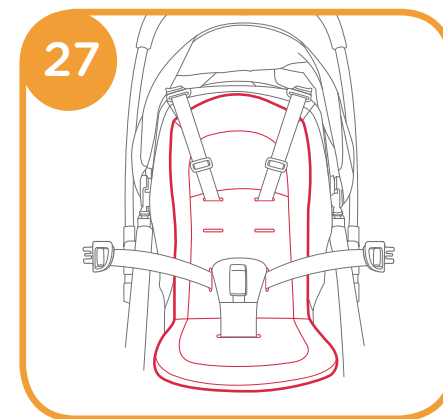
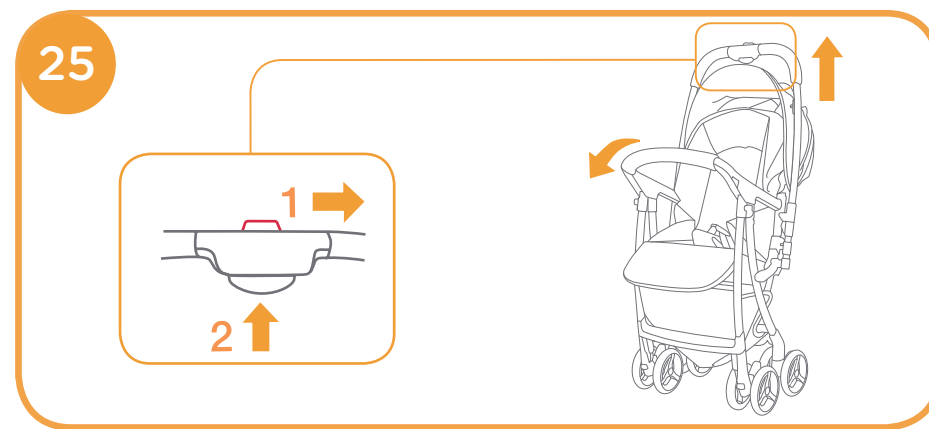
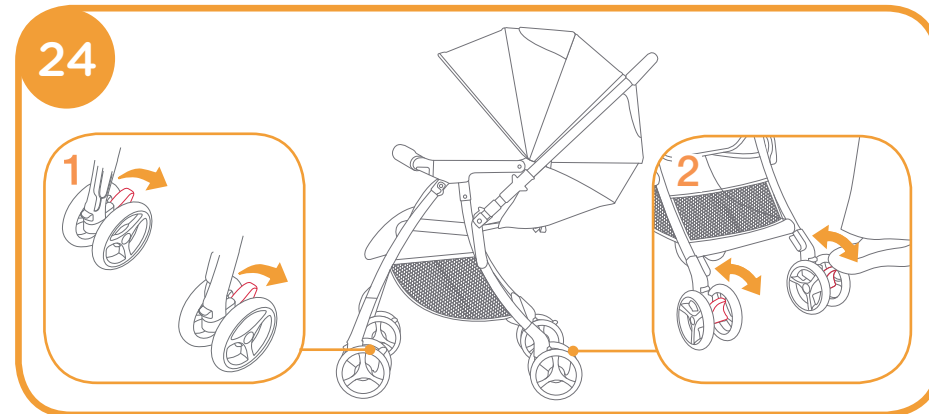
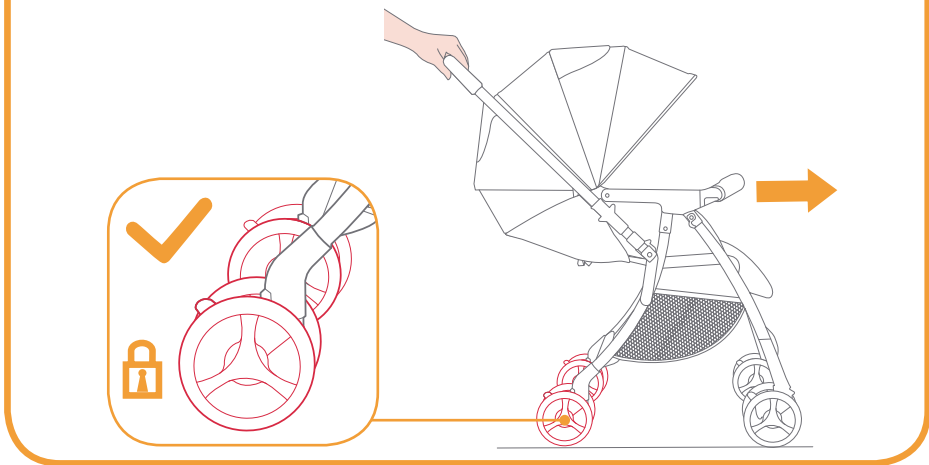
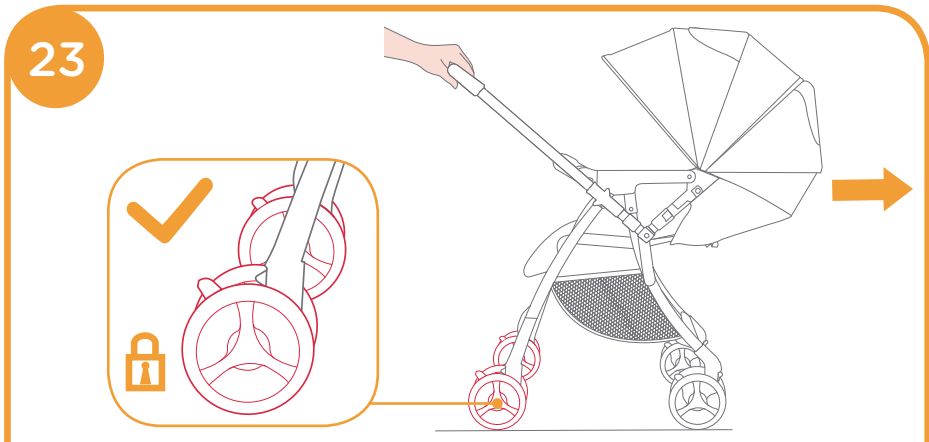
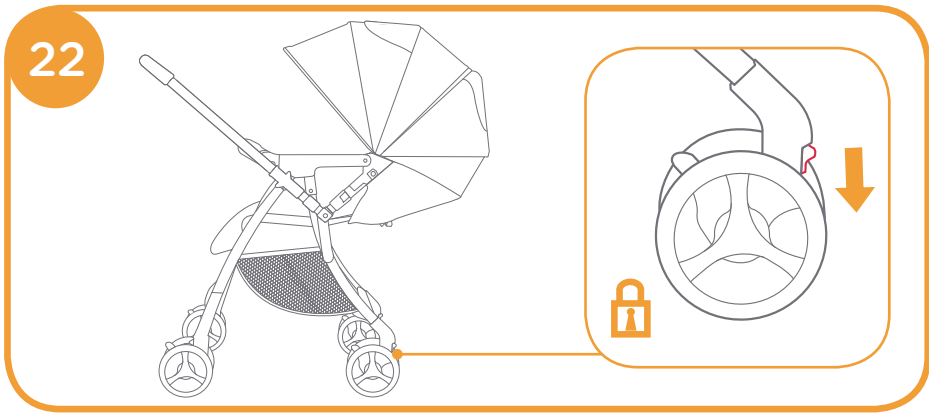
### 使用說明書

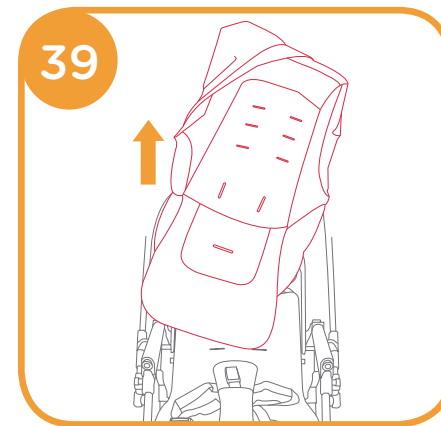
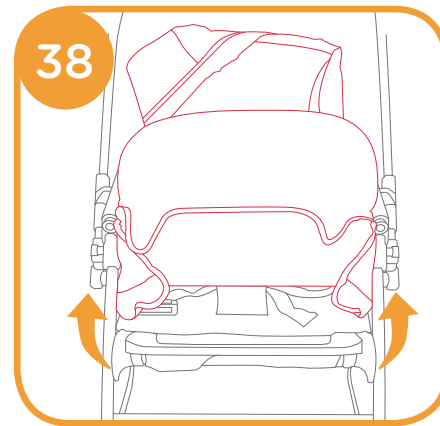
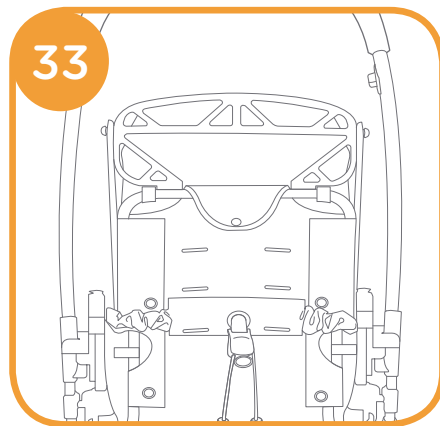
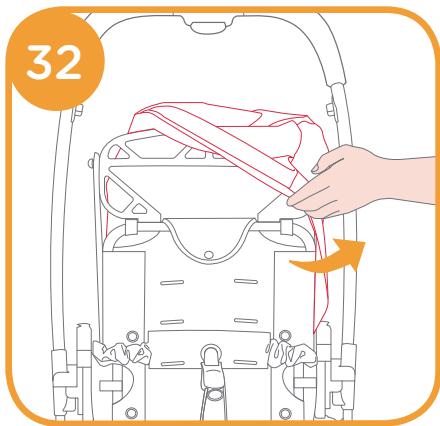
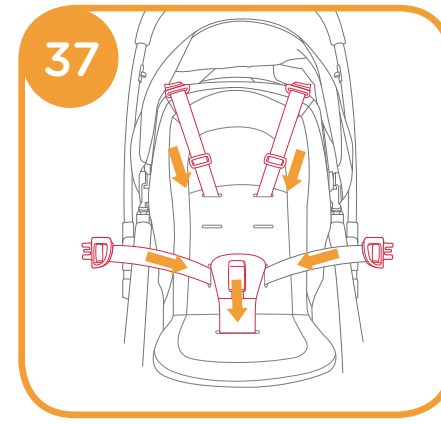
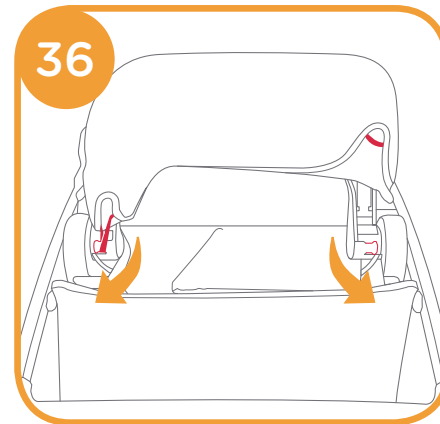
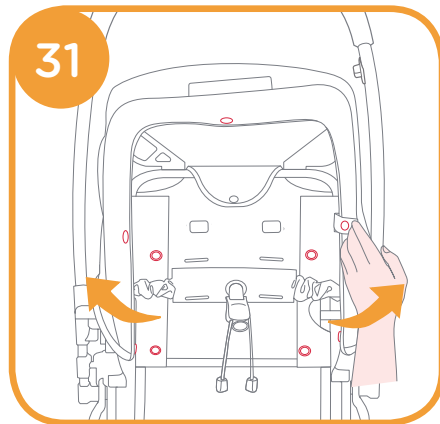
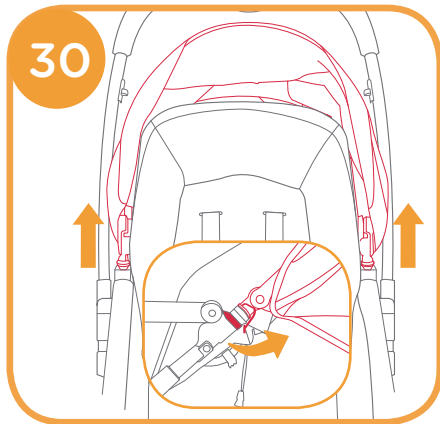
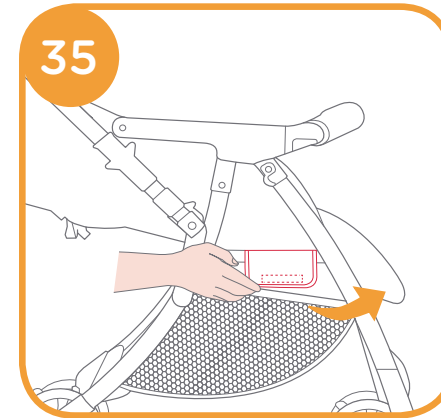
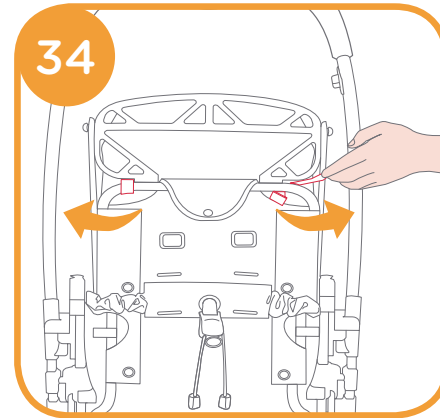
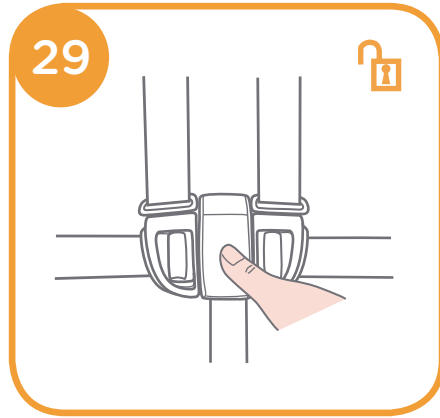
組裝及使用本產品前  
請先閱讀說明書全文

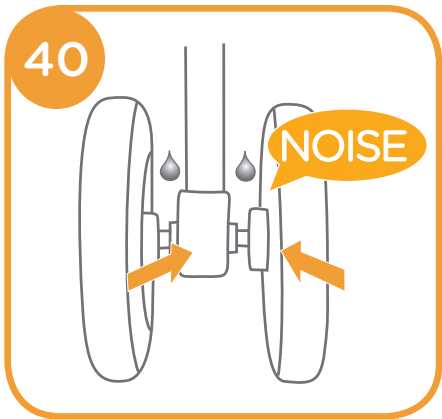












NOTE

# CH 謝謝您使用本產品

祝賀您加入巧兒宜大家庭!您剛買了一台符合安全標準CNS 12940-2013的超輕量雙向手推車。這台手推車適用於重量15公斤以下的寶寶。台灣區域使用請依照CNS標準規範。

請仔細閱讀本說明書並依照指示操作，這樣才能保障並提供您的寶寶一個安全又舒適的行車旅程。

**重要 - 請保留好說明書以便日後參考。**

如需要了解更多信息，請您訪問joiebaby.com網站下載說明書或查看更多令人激動的Joie產品!

## 目錄

參照圖示	1-9
緊急情況處理	12
產品資訊	13
產品組件及各部件名稱	14
警告	15
產品組裝	17
打開手推車	17
組裝遮陽篷	17
組裝 & 拆卸扶手	17

產品操作	18
調整背靠角度	18
使用安全扣	18
使用肩帶和腰帶	19
調節小腿靠支撐板	19
使用遮陽篷	19
轉換車手方向	20
前輪定向	20
使用剎車踏板	20
收合手推車	21
使用配件	21
使用肩帶護片	21
使用扶手布套	21
使用小座墊	21
使用雨篷	21
拆卸 & 組裝座布	22
保養維護與保固	22

## 緊急情況處理

遇緊急事件或事故時，需迅速急救或送醫治療照顧您的寶寶是非常重要的。

## 產品資訊

Allison Baby UK Ltd.  
Venture Point, Towers Business Park,  
Rugeley, Staffordshire, WS15 1UZ  
www.joiebaby.com  
www.joiebaby.com.cn

**產品名稱** 超輕量雙向手推車  
**產品型號** S1723  
**最大體重** 15公斤  
**適用嬰幼兒年齡** 0-36個月  
**主要材質** 塑膠、合金、布  
**淨重** 5.4公斤  
**產品尺寸** 880mmx460mmx1000mm  
**製造日期** 詳見產品上貼紙日期(年/月/日)  
**專利號碼** 專利申請中  
**原產地** 中國

**委製商** 巧兒宜國際股份有限公司  
**進口商** 巧兒宜國際股份有限公司  
**地址** 台北市內湖區瑞光路431號2樓  
**電話** 02-27973000  
**統一編號** 52603333

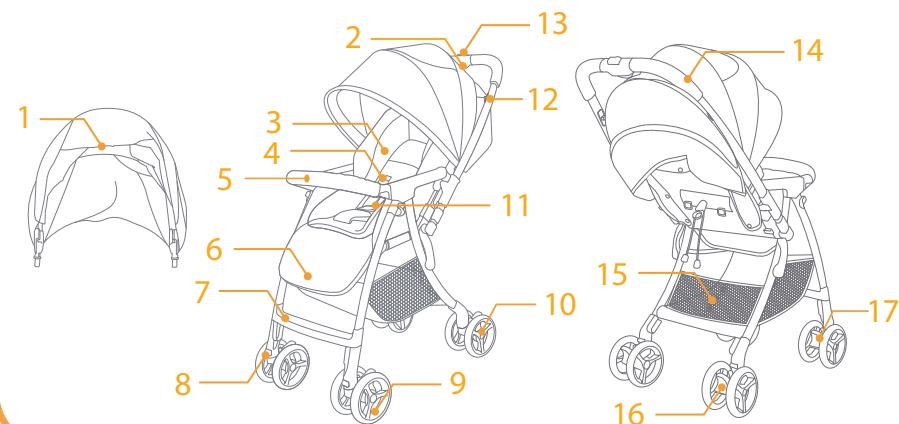
**代理商** 奇哥股份有限公司Chickabiddy Co., Ltd  
**地址** 台北市南京東路四段186號5樓  
**服務專線** 0800-001-256 / 02-25781188  
**統一編號** 04222671  
**網址** www.chick.com.tw

使用本產品前請先閱讀說明書全文，如果您對於使用本產品還有任何疑問，請撥服務專線0800-001-256 / 02-25781188

## 產品組件及各部件名稱

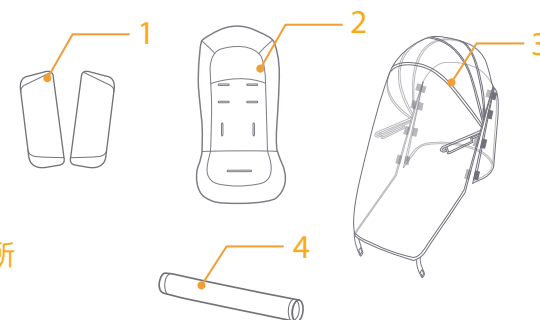
組裝前請確認所有部件已經齊全，如有遺漏，請與代理商聯繫。  
本產品無需工具進行組裝。

- |        |             |           |
|--------|-------------|-----------|
| 1 遮陽篷  | 7 腳踏板       | 13 第二道安全鎖 |
| 2 單手按鈕 | 8 拉板        | 14 車手     |
| 3 小座墊  | 9 前輪        | 15 置物籃    |
| 4 肩帶護片 | 10 後輪       | 16 後輪剎車踏板 |
| 5 扶手   | 11 三/五方向安全扣 | 17 前輪剎車踏板 |
| 6 座布   | 12 換向滑塊     |           |



## 配件

- 1 肩帶護片
- 2 小座墊
- 3 雨篷
- 4 扶手布套



因產品型號的不同，並非所有手推車均附以上配件。



## 警告

- ! 本產品須由成人進行組裝。
- ! 本手推車適合體重15公斤以下的寶寶使用，不符合使用條件的寶寶會對手推車造成損壞。
- ! 寶寶乘坐時應使用腰部及胯部的安全帶，並同時使用肩帶。
- ! 請勿擺放超過4.5公斤的物件於置物籃內，以免導致手推車不穩定而產生危險。
- ! 不得將寶寶單獨留置於手推車上無人看護。
- ! 不得同時乘坐二位及以上寶寶或附載其它的物品、附件於手推車上。
- ! 超載或不正確的折疊及使用非經核准的零附件都可能造成手推車損壞、故障或不安全，請務必閱讀說明書。
- ! 使用前請仔細閱讀本說明書並請妥善保存供以後參照。如果不按照本說明書可能會影響乘坐寶寶的安全。
- ! 寶寶乘坐時，安全帶或束縛系統必須正確的扣合及使用。
- ! 當調整手推車上之任何可活動配件時，必須確定寶寶與手推車保持安全距離。
- ! 使用時請扣好安全帶，以免寶寶滑入腿部開口外而造成窒息。
- ! 禁止在樓梯上使用手推車。
- ! 使用時請遠離火源、高溫、水池或電源之附近範圍。
- ! 不可讓寶寶站立。
- ! 不可將手推車放置於馬路、坡道或危險場所。
- ! 使用前，請確保所有鎖定裝置都已處於鎖定狀態。
- ! 請勿將任何繩索或索帶類物件懸掛於寶寶頸部附近，或扣在產品及玩具上，以免導致意外窒息。
- ! 嬰幼兒可能會滑入足底部分的缺口或造成窒息。
- ! 請勿使用非製造商提供的附件。只可使用製造商推薦或提供的部分。
- ! 任意放置未經製造商核可之物品於車台上將造成危險。
- ! 請勿放置任何物品在車手、背靠後面或車台側面，以免影響手推車的穩定性。
- ! 寶寶乘坐於手推車內時，不可將整個手推車往上提。
- ! 請勿將寶寶放到置物籃內。
- ! 請不要讓寶寶攀爬手推車，以免翻覆。
- ! 為避免手指夾傷問題，收合及展開手推車時，請務必小心。
- ! 寶寶接近手推車前，請確認手推車已完全打開或收合。
- ! 使用前應確實豎立及固定各機構以確保安全。
- ! 警告! 保持嬰幼兒遠離此遮陽篷/雨篷以免造成窒息。
- ! 停泊此手推車時務必確實使用所有之剎車裝置。
- ! 當發現手推車損壞時，應立即停止使用。
- ! 請仔細閱讀說明書，請勿使用其它廠商提供的零附件。
- ! 本產品不適用於跑步和滑冰，只適合以步行速度使用。
- ! 使用本產品前，請取掉PE袋和包裝材料並銷毀，並放到嬰兒和兒童觸摸不到的地方。
- ! 供新生兒使用時，應使用最斜躺位置。
- ! 請勿允許您的寶寶將本產品當玩具玩耍。
- ! 當放入和抱出寶寶時，應鎖定剎車裝置。
- ! 六個月大以下的嬰幼兒應同時使用腰部及胯部的安全帶。
- ! 警告! 不得附載其它的嬰幼兒、物品或附件於推車上。

## 產品組裝 (圖片請參閱說明書 1-9 頁)

組裝及使用手推車前，請先閱讀說明書全文，並按照說明書指示進行操作。

### 打開手推車

見圖 ①

推開第二道安全鎖 ① - 1，然後持續按壓單手按鈕 ① - 2，同時將手推車向後上方向拉起。聽到“咔嚓”聲表示車架已打開到位。

！ 使用手推車前務必確保車架已打開到位。

### 組裝遮陽篷

見圖 ② - ④

### 組裝& 拆卸扶手

見圖 ⑤ - ⑦

扶手可以左右打開。

打開扶手時，按壓扶手按鈕 ⑦ - 1，同時將扶手向上拉起 ⑦ - 2

**使用小秘訣** 打開扶手可令寶寶上下手推車更容易。

手推車組裝完成後如 ⑧ 所示

## 產品操作

### 調整背靠角度

見圖 ⑨ - ⑩

調低背靠角度

請單手用手指向下拉拉環釋鎖調整至所需的背靠角度 ⑨

！ 如寶寶已坐在座椅內，請用另一隻手輕托背靠，以減少震盪。

調高背靠角度

請單手握住扣具，另一手向下拉束繩調整至所需的背靠角度 ⑩

！ 確保背靠角度調整到合適角度後，方可使用。

### 使用安全扣

見圖 ⑪ - ⑫

鬆開安全扣

按下母扣中央的按鈕，鬆開安全扣 ⑪

扣合安全扣

將肩帶扣插入腰帶扣 ⑫ - 1，再將他們插入母扣內 ⑫ - 2，聽到“咔嚓”聲表示扣合到位 ⑫ - 3

！ 為防止寶寶摔跤，寶寶乘坐時必須繫上安全帶。

！ 請牢牢地繫上安全帶，並注意寶寶與安全帶之間須可以放進一個手掌的厚度。

！ 請勿交叉肩帶，以免對寶寶頸部造成壓迫。

## 使用肩帶和腰帶

見圖 13 - 16

！ 寶寶坐進手推車後，請確認肩帶孔高度和肩帶及腰帶的長度是否合適，以免寶寶於使用時意外跌出。

13 - 1 肩帶固定栓A

13 - 2 調整扣

較大的寶寶使用時，請使用肩帶固定栓A和最上方的肩帶孔；較小的寶寶使用時，請使用肩帶固定栓A和最下方的肩帶孔。

調整肩帶固定栓位置時，將背靠後方的肩帶固定栓放置水平、短邊朝前，從肩帶孔穿出 14，再從背靠前方將肩帶固定栓穿過最接近寶寶肩膀的肩帶孔 15

將調整扣上下滑動，可調節肩帶長度 16 - 1。按壓按鈕 16 - 2，同時往外拉安全扣內側或外側的腰帶，可調節腰帶長度 16 - 3

## 調節小腿靠支撐板

見圖 17 - 18

依不同使用需求，小腿靠共有2個段位可供調節 17

段位調高時，將小腿靠支撐板由下往上推即可 17

段位調低時，按壓小腿靠兩側的調整按鈕 18 - 1，同時向下調節小腿靠支撐板 18 - 2

## 使用遮陽篷

見圖 19

向前或向後拉遮陽篷，即可將遮陽篷打開或收攏 19

## 轉換車手方向

見圖 20

！ 轉換車手方向時，請務必確認寶寶手足沒有放在側扶手上，以免夾傷。

！ 轉換車手方向後，前輪或後輪可以自動鎖定。

## 前輪定向

見圖 21 - 23

向下按壓拉板，即可固定車輪前行方向 21 22

**使用小秘訣** 當在碎石路面或不平路面推行時，建議鎖定前車輪，便能更輕鬆地操控手推車。

！ 因為車手換向時或換向之後的瞬間，所有輪子處於釋鎖狀況。所以換向之後請務必將手推車向前推行一段距離。保證靠近推行者的輪子能夠自動鎖定 23

## 使用剎車踏板

見圖 24

準備剎車時，踩下剎車踏板 24 - 1 & 24 - 2

打開剎車時，將剎車踏板抬起。

**使用小秘訣** 當放入和抱出寶寶時，應鎖定剎車裝置。

**使用小秘訣** 手推車停止前進時，請鎖定剎車裝置。

**使用小秘訣** 轉換車手方向前，請確定已鎖定剎車裝置。

！ 為防止潛在的危險，轉換車手方向前，要一直確保剎車裝置已鎖定。

## 收合手推車

見圖 25 - 26

! 收合手推車前，請先收攏遮陽篷 19

推開第二道安全鎖 25 - 1，然後持續按壓單手按鈕 25 - 2，稍微提起車手並將推車向前壓即可收合 26

## 使用配件

因產品型號的不同，並非所有手推車均附以下配件。

## 使用肩帶護片

肩帶護片可直接從織帶上取下，反之即可組裝。

## 使用扶手布套

扶手布套可從扶手上取下，反之即可組裝。

## 使用小座墊

見圖 27

## 使用雨篷

見圖 28

將雨篷套到車架上，再固定雨篷側面的粘扣帶和鈕扣 28

- ! 使用雨篷時，請隨時注意並確認雨篷內有良好的通風。
- ! 不使用雨篷時，請先確認雨篷已清潔並干燥，再收納。
- ! 請勿收合已罩上雨篷的手推車。
- ! 天氣炎熱時，請勿將寶寶放在裝有雨篷的手推車內。

## 拆卸& 組裝座布

見圖 29 - 39

參考 29 - 39 可拆卸座布，依反向操作 39 - 29 即可組裝座布。

## 保養維護與保固

見圖 40

- ! 清洗座布時，請使用溫水清洗，請勿漂白。具體請參考手推車上洗滌標版內容。
- ! 清洗車架：僅能使用中性清潔劑及溫水洗滌，請勿使用漂白劑。清洗後用吸水的布擦幹防止生鏽。
- ! 隨時檢查您的手推車，並隨時更換或修理鬆弛磨損的零件、脫落的材料或車縫線。
- ! 過度曝曬於陽光下，可導致手推車老化或變形。
- ! 手推車潮濕時，請打開手推車及遮陽篷，待干燥後再收合起來。
- ! 如果輪子發出“吱吱”聲，可加油(WD-40，防鏽油或縫紉機油)潤滑。請將潤滑油點入輪軸及軸孔 40 之間，此步驟為重要的保養須知。
- ! 在海邊使用手推車時，務必於使用過後清除沙粒，以做好完善的清洗。



### 延長保固服務

請於購買起一個月內至奇哥官網進行登錄，登錄成功後即享有商品延長一年保固服務。

Joie™

birth to 15kg/0-36 months

## float™ 4WD stroller

### Instruction Manual

Read these instructions carefully before use and keep them for future reference. Your child's safety may be affected if you do not follow these instructions.



**Important-Keep these instructions for future reference.**

# GB Welcome to Joie™

This product is a high-quality and light weight stroller, approved to CNS 12940-2013. It is suitable for a child weighing under 15kg (0-36 months).

Carefully read this instruction manual and follow the installing steps because this is the **ONLY** way to protect your child from serious injury or death in case of an accident, and to provide comfort to your child while using this product.

The figures in this manual are to illustrate the operating methods and product main features. This model may have differences between features shown. The figures are just for reference.

## Contents

Figures	1-9
Emergency	26
Product Information	27
Parts List	28
WARNING	29
<b>Stroller Assembly</b>	31
Open Stroller	31
Assemble Canopy	31
Assemble & Detach Armbar	31

<b>Stroller Operation</b>	31
Adjust Backrest Angle	31
Use Buckle	32
Use Shoulder & Waist Harnesses	32
Adjust Calf Support	33
Use Canopy	33
Switch Handle Direction	33
Use Front Swivel Lock	33
Use Brake	34
Fold Stroller	34
Use Accessory	34
Use Shoulder Harness Cover	34
Use Armbar Cover	35
Use Infant Insert	35
Use Rain Cover	35
Detach & Assemble Soft Goods	35
Care and Maintenance	36

## Emergency

In case of emergency or accident, it is most important to have your child taken care of with first aid and medical treatment immediately.

## Product Information

Read all the instructions in this manual before using this product.  
If you have any further questions, please call the service hotline in the sales area.

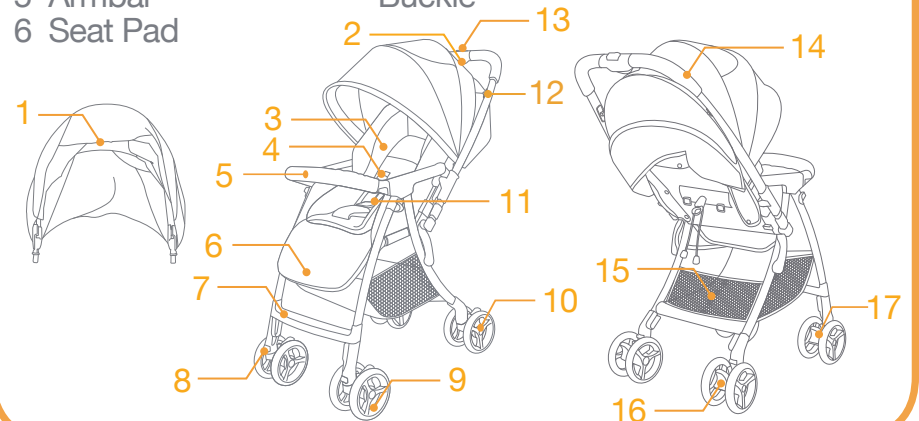
Allison Baby UK Ltd.  
Venture Point, Towers Business Park,  
Rugeley, Staffordshire, WS15 1UZ  
www.joiebaby.com  
www.joiebaby.com.cn

Product	Float 4WD Stroller
Model	S1723
Suitable for	Child weighing under 15kg (birth - 36 months)
Materials	Plastics, metal, fabrics
Made in	China

## Parts List

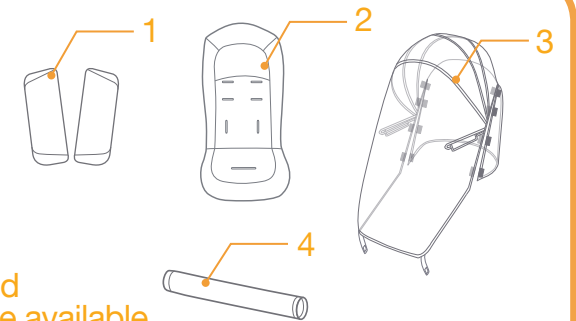
Make sure all parts are available before assembly. If any part is missing, please contact local distributor. No tools are required for assembly.

- |                          |                     |                      |
|--------------------------|---------------------|----------------------|
| 1 Canopy                 | 7 Footrest          | 12 Reversible Slider |
| 2 One-Hand-Fold Button   | 8 Front Swivel Lock | 13 Secondary Lock    |
| 3 Infant Insert          | 9 Front Wheel       | 14 Handle            |
| 4 Shoulder Harness Cover | 10 Rear Wheel       | 15 Storage Basket    |
| 5 Armbar                 | 11 3/5 Point Buckle | 16 Rear Brake Lever  |
| 6 Seat Pad               |                     | 17 Front Brake Lever |



## Accessories

- |   |                        |
|---|------------------------|
| 1 | Shoulder Harness Cover |
| 2 | Infant Insert          |
| 3 | Rain Cover             |
| 4 | Armbar Cover           |



Accessories may be sold separately or may not be available depending on region.

## WARNING

- ! Always use the restraint system. Safety belts and restraint systems must be used correctly.
- ! Ensure that all the locking devices are engaged before use.
- ! Do not let your child play with this product.
- ! Adult assembly required.
- ! Use the stroller with a child weighing less than 15kg. It will cause damage to the stroller with an unfitted child.
- ! To prevent a hazardous, unstable condition, do not place more than 4.5kg in the storage basket.
- ! Never leave your child unattended. Always keep child in view while in stroller.
- ! Use the stroller with only one child at a time. Never place purses, shopping bags, parcels or accessory items on the handle or canopy.
- ! Accessories which are not approved by the manufacturer shall not be used. Only replacement parts supplied or recommended by the manufacturer shall be used.
- ! Never use accessories, parts or components not produced or approved by the manufacturer. Please read the instruction manual carefully.
- ! Please read all the instructions in the manual before using the product. Please save instruction manual for future use. Failure to follow these warnings and instructions may result in serious injury or death.
- ! To avoid serious injury from falling or sliding out, always use seat belt.
- ! Make sure your child's body is clear from the moving parts when adjusting the stroller.
- ! Be sure the stroller is fully open or folded before allowing child near the stroller.
- ! Child may slip into leg openings and be strangled if the harness is not used.
- ! Never use stroller on stairs or escalators.
- ! Keep away from high temperature objects, liquids, and electronics.
- ! Never allow your child to stand on the stroller or sit in the stroller with head toward front of stroller.
- ! Never place the stroller on roads, slopes or dangerous areas.
- ! To avoid strangulation, DO NOT place items with a string around your child's neck, suspend strings from this product, or attach strings to toys.
- ! Any load attached to the handle and/or on the back of the backrest and/or on the sides of the stroller will affect the stability of the stroller.
- ! DO NOT lift stroller while child is in stroller.
- ! DO NOT use storage basket as a child carrier.
- ! To prevent tipping, never let child climb the stroller. Always lift the child in and out of the stroller.
- ! To avoid finger entrapment, use care when folding and unfolding the stroller.
- ! To avoid injury, ensure that your child is kept away when unfolding and folding this product.
- ! To ensure your child's safety, please make sure all parts are assembled and fastened properly before using the stroller.
- ! To avoid strangulation, do make sure your child is clear from the canopy or rain cover.
- ! Always engage the brakes when parking the stroller.
- ! Discontinue using stroller if it is damaged or broken.
- ! Stroller to be used only at walking speed. This product is not intended for use while jogging.
- ! To avoid suffocation, remove plastic bag and packaging materials before using this product. The plastic bag and packaging materials should then be kept away from babies and children.
- ! This product is not suitable for running or skating.
- ! Pushchair designed to be used from birth shall recommend the use of the most reclined position for new born babies.
- ! The parking device shall be engaged when placing and removing children.



## Stroller Assembly

(Please refer to figures on page 1-9)

Please read all the instructions in this manual before assembling and using this product.

### Open Stroller

see image ①

Push secondary lock ①-1 and squeeze one-hand-fold button. ①-2

Meanwhile, pull the stroller backward to open. Latches should click into place.

! Check that the stroller is completely open before continuing.

### Assemble Canopy

see images ② - ④

### Assemble & Detach Armbar

see images ⑤ - ⑦

The armbar can be pulled up on both left and right sides.

Press armbar release button ⑦-1, and then pull up the armbar.

⑦-2

**Tip** Armbar can be removable or pivot open for stroller entry.

The completely assembled stroller is shown as ⑧

## Stroller Operation

### Adjust Backrest Angle

see images ⑨ - ⑩

### Recline Backrest

Pull tab to recline backrest. ⑨

! Hold the backrest with the other hand if a child is already seated in the stroller.

### Raise Backrest

Hold both left and right strings and push up the angle adjuster to raise backrest. ⑩

! Make sure the backrest angle is set properly for use.

### Use Buckle

see images ⑪ - ⑫

### Release Buckle

Press the center button to release the buckle. ⑪

### Lock Buckle

Match the waist belt buckle with the shoulder buckle ⑫-1, and click into the center buckle. ⑫-2

A click sound means the buckle is locked completely. ⑫-3

! To avoid serious injury from falling or sliding out, always secure your child with harness.

! Make sure your child is snugly secured, the space between the child and the shoulder harness is about the thickness of one hand.

! Do not cross the shoulder belts. This will cause pressure on child's neck.

### Use Shoulder & Waist Harnesses

see images ⑬ - ⑭

! In order to protect your child from falling out, after your child is placed into the seat, check whether the shoulder and waist harnesses are at proper height and length.

⑬-1 Shoulder harness anchor A

⑬-2 Slide adjuster

For larger child, use shoulder harness anchor A and the highest shoulder slots. For smaller child, use shoulder harness anchor A and the lowest shoulder slots.

To adjust the position of the shoulder harness anchor, turn the anchor to be level with the side facing forward. Thread it through the shoulder harness slot from back to front. **14** Rethread it through the slot that is closest to child's shoulder height. **15**

Use slide adjuster to change the harness length. **16-1**

Press the button **16-2**, while pulling the waist harness to proper length. **16-3**

## Adjust Calf Support

see images **17-18**

There are two recline angles, 1-2 **17** for adjustment.

To raise calf support, push the calf support from position 1 to position 2 **17**

To lower calf support, press the adjustment buttons on both sides of the calf support **18-1**, and rotate the calf support downwards. **18-2**

## Use Canopy

see image **19**

To open the canopy, pull canopy toward front. **19**

To fold the canopy, pull canopy toward back. **19**

## Switch Handle Direction

see image **20**

! Make sure child's hands and legs are clear from the armrest when switching the handle.

! Front swiveling wheels or rear swiveling wheels can be locked automatically when you use the handle in rear facing position or front facing position.

## Use Front Swivel Lock

see images **21-23**

Press the front swivel locks to maintain the moving direction.

**21 22**

**Tip** It is recommended to use swivel lock on uneven surfaces.

! After switching the handle position, push the stroller forward to ensure that the wheels nearest to you are locked and do not swivel. **23**

## Use Brake

see image **24**

To lock wheels, step on the brake lever. Front wheel is shown as **24-1**, rear wheel is shown as **24-2**.

Lift the brake lever to release wheel.

**Tip** The brake must be engaged when placing and removing children.

**Tip** Always apply brake when stroller is in stopped position.

**Tip** To ensure brake is fully on, gently rock the stroller backwards and forwards before releasing the handle.

! **WARNING** To prevent potential hazard, always make sure the parking device for all swiveling wheels are engaged when you reverse the handle.

## Fold Stroller

see images **25-26**

Please fold the canopy before folding the stroller. **19**

Push secondary lock **25-1** and squeeze one-hand-fold button **25-2** Push the stroller forward to fold.

A click sound means the stroller is folded completely. **26**

## Use Accessory

Accessories may be sold separately or may not be available depending on region.

## Use Shoulder Harness Cover

The shoulder harness cover can be removed from the webbing. Simply reverse these steps to re-assemble shoulder harness cover.

## Use Armbar Cover

The armbar cover can be removed from the armbar. Simply reverse these steps to re-assemble armbar cover.

## Use Infant Insert

see image 27

## Use Rain Cover

see image 28

To assemble the rain cover, place it over the stroller, and then attach the seaps and hook and loop fasteners on the rain cover.

- ! When using the rain cover, please always check its ventilation.
- ! When not in use, please check that the rain cover has been cleaned and dried before folding.
- ! Do not fold the stroller after assembling the rain cover.
- ! Do not place your child into the stroller assembled with rain cover during hot weather.

## Detach & Assemble Soft Goods

see images 29 - 39

To re-assemble seat soft goods, follow the steps above in reverse 39 - 29

## Care and Maintenance

see image 40

- ! To clean stroller frame, use only household soap and warm water. No bleach or detergent. Please refer to the care label for instructions on cleaning the fabric parts of the stroller.
- ! Removable soft goods can be washed by machine. No bleach. Do not twist the seat cover and inner padding to dry with great force. It may leave the seat cover and inner padding with wrinkles.
- ! From time to time, check your stroller for loose screws, worn parts, torn material or stitching. Replace or repair the parts as needed. Periodically wipe clean plastic parts with a soft damp cloth. Always dry the metal parts to prevent the formation of rust if the stroller has come into contact with water.
- ! Excessive exposure to sun or heat could cause fading or warping of parts.
- ! If stroller becomes wet, open canopy and allow to dry thoroughly before storing.
- ! If wheels squeak, use a light oil (e.g., Silicon Spray, antirust oil, or sewing machine oil). It is important to get the oil into the axle and wheel assembly. 40
- ! When using your stroller at the beach or other sandy/dusty environments, completely clean your stroller after use to remove sand and salt from mechanisms and wheel assemblies.



2022/01/19

The logo for Joie, featuring the word "Joie" in a white, sans-serif font with a small leaf icon above the letter 'i'. The logo is set against a solid orange square background.

Joie™

Allison Baby UK Ltd.  
Venture Point, Towers Business Park  
Rugeley, Staffordshire, WS15 1UZ

bring the kids™

Share the joy at [joiebaby.com](https://joiebaby.com)

IM-000475F