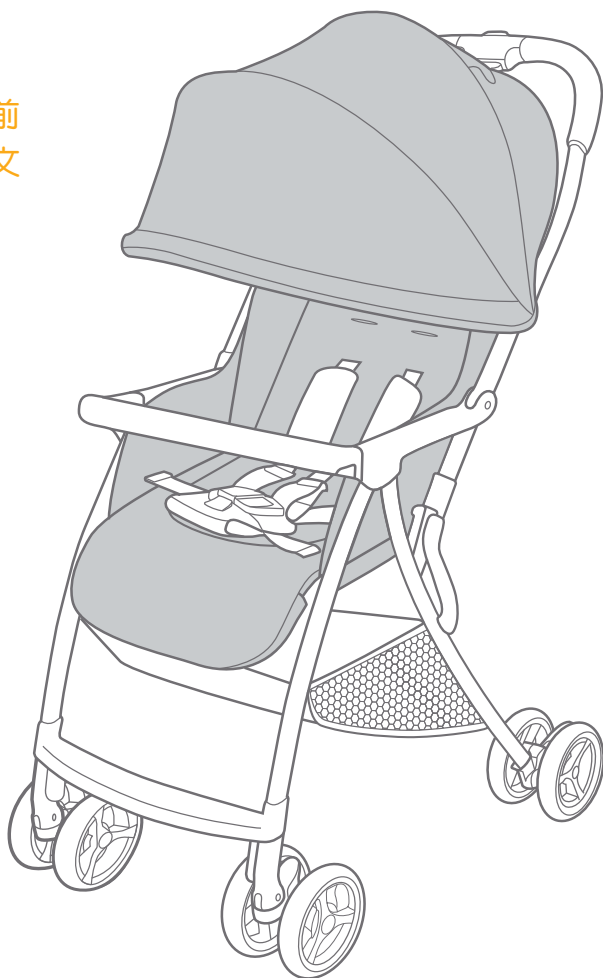


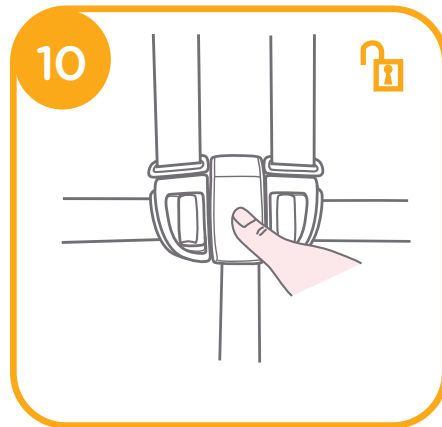
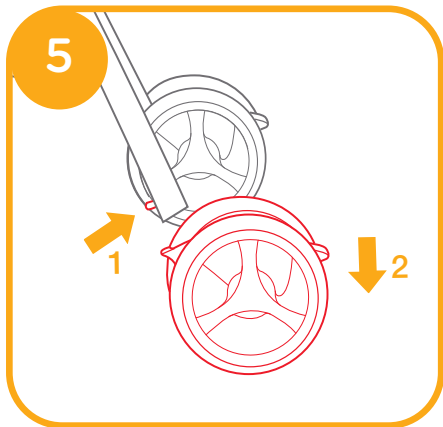
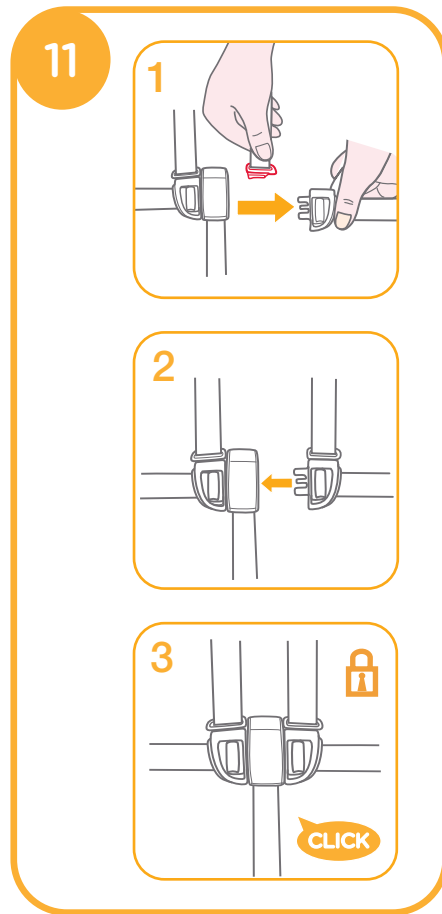
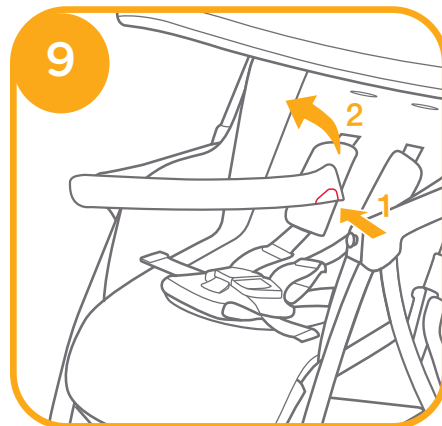
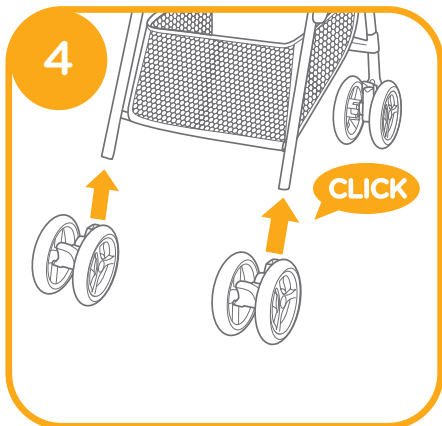
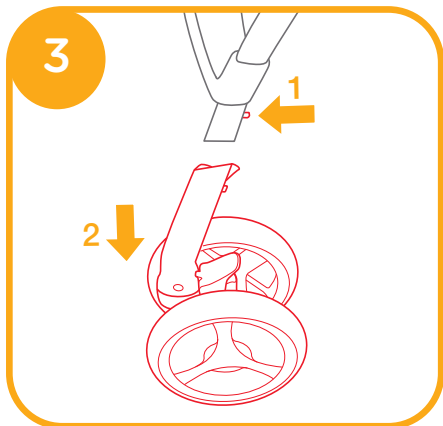
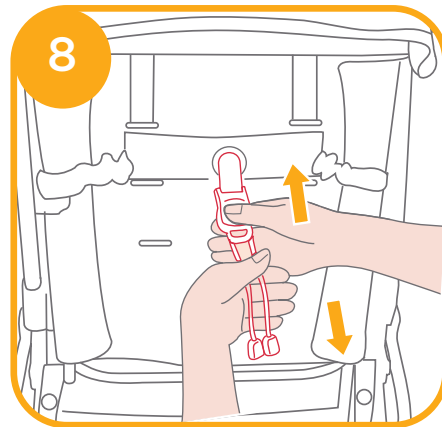
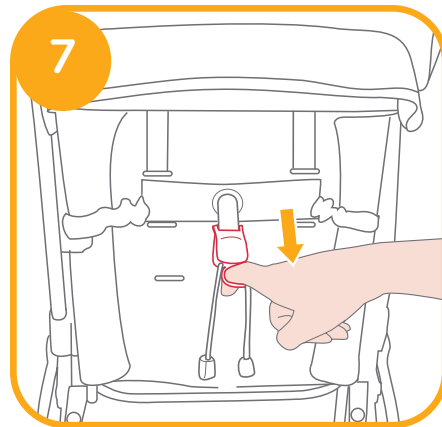
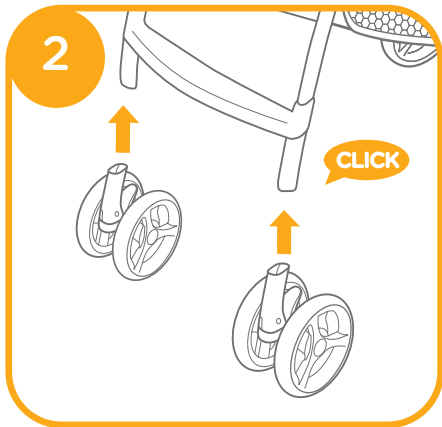
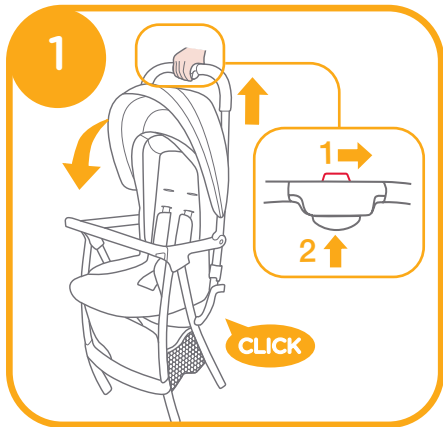
Joie™

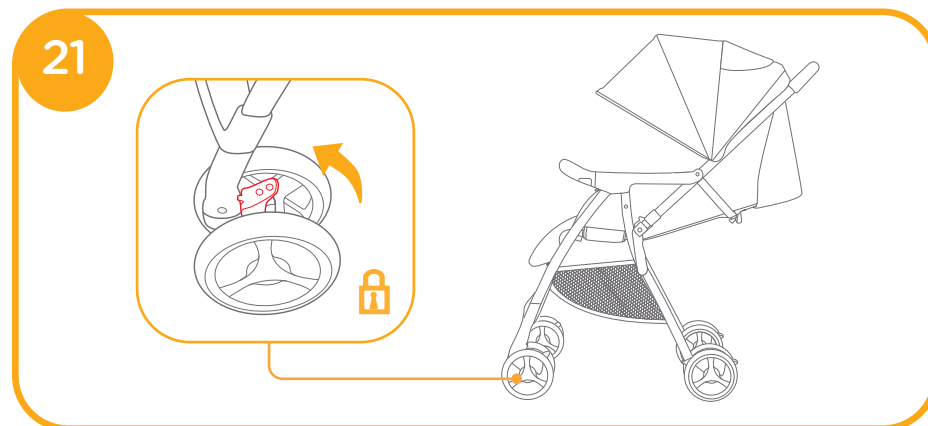
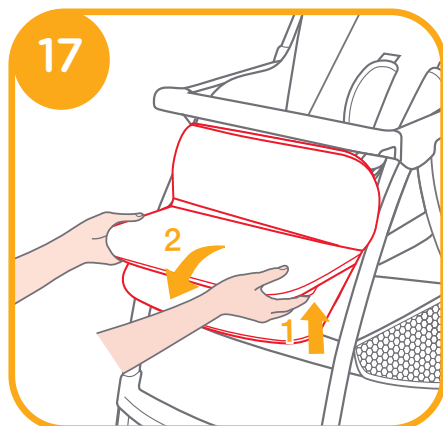
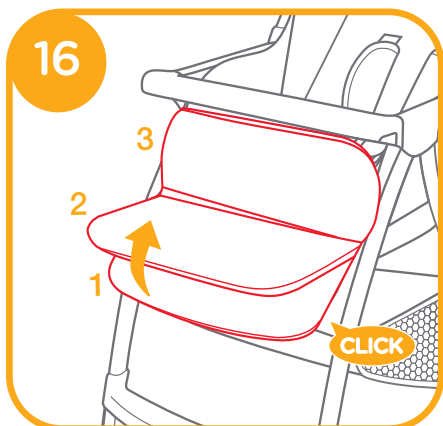
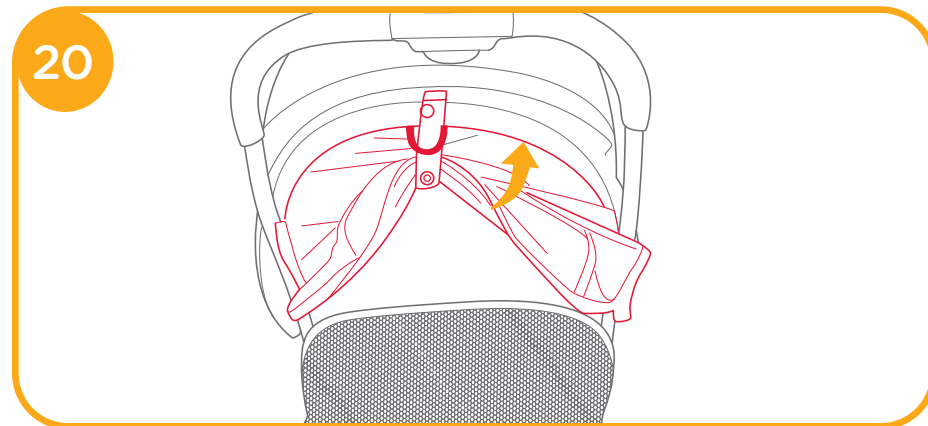
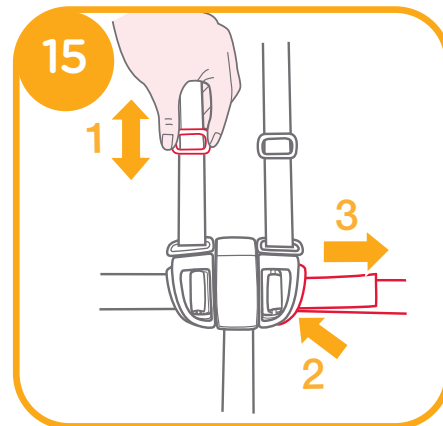
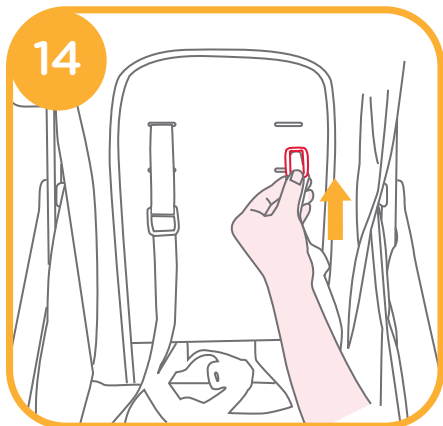
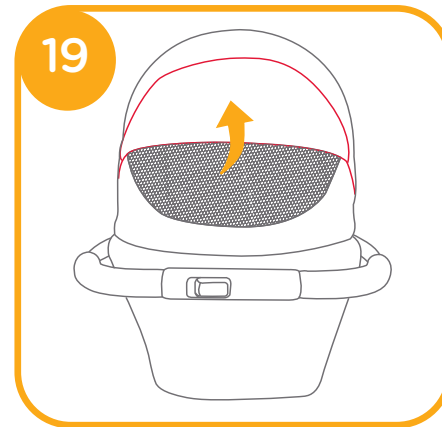
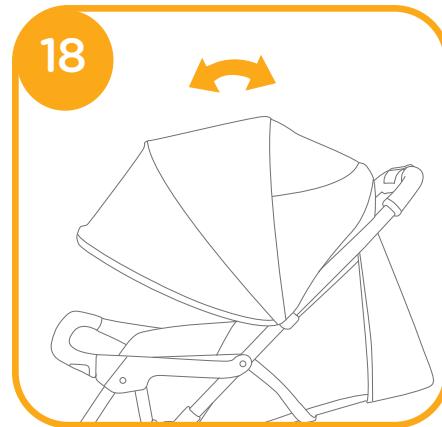
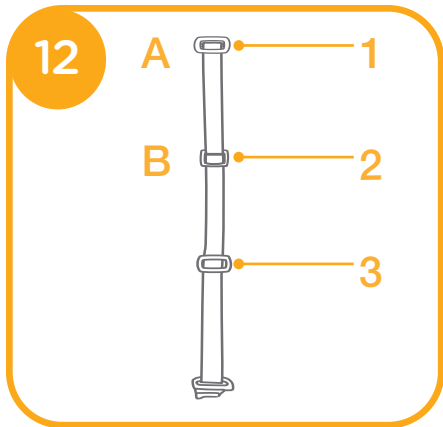
Fluri™

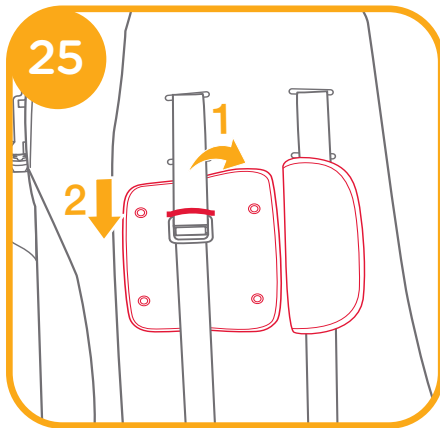
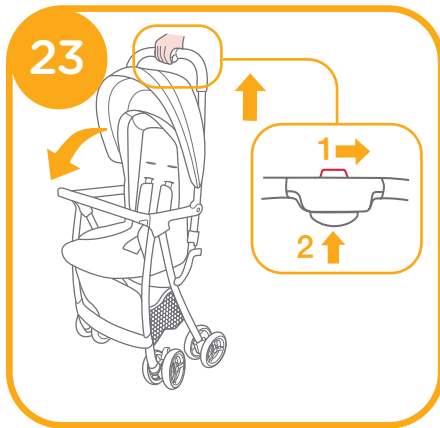
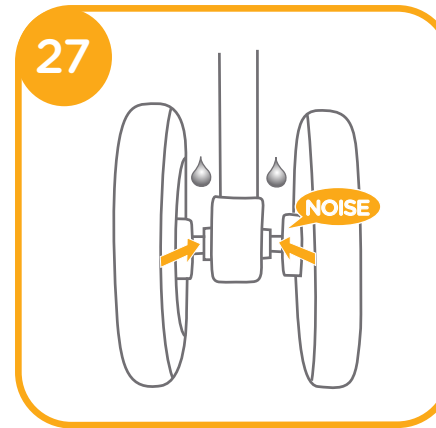
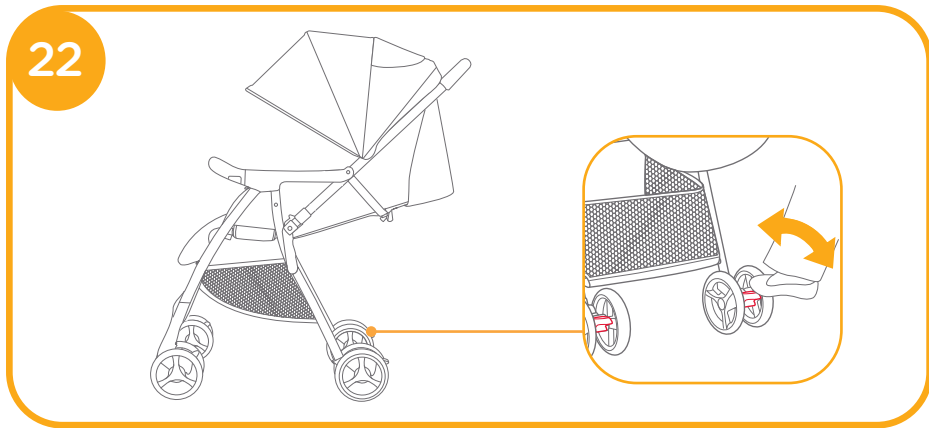
### 使用說明書

組裝及使用本產品前  
請先閱讀說明書全文









## CH 謝謝您使用本產品

您剛買了一台符合安全標準 CNS 12940-2013 的高品質手推車。這台車適用於重量 15 公斤 (0-36 個月) 以下的兒童。

請仔細閱讀本說明書並依照指示操作，這樣才能保障並提供您的兒童一個安全又舒適的行車旅程。

本說明書中採用的插圖是為了說明產品的操作方法和產品結構，當插圖與實物存在差異時，請以實物為準。

！請保存好說明書，以便日後正確使用本產品。

## 目錄

參照圖示	1-6
緊急情況處理	8
產品資訊	9
產品組件及各部件名稱	10
配件	10
警告	11
<b>產品組裝</b>	<b>13</b>
打開手推車	13
組裝&拆卸前輪	13
組裝&拆卸後輪	13

<b>產品操作</b>	<b>13</b>
調整背靠角度	13
使用扶手	14
使用安全扣	14
使用肩帶和腰帶	14
調節小腿靠支撐板	15
使用遮陽篷	15
前輪定向	15
使用剎車踏板	16
收合手推車	16
<b>使用配件</b>	<b>16</b>
<b>保養維護與保固</b>	<b>17</b>

## 緊急情況處理

遇緊急事件或事故時，需迅速急救或送醫治療照顧您的寶寶是非常重要的。

## 產品資訊

Allison Baby UK Ltd.

Venture Point, Towers Business Park,  
Rugeley, Staffordshire, WS15 1UZ  
www.joiebaby.com

**產品名稱** 單向輕量手推車

**產品型號** S1905

**最大體重** 15公斤

**適用嬰幼兒年齡** 0-36個月

**主要材質** 塑膠、合金、布

**淨重** 3.95 kg

**產品尺寸** 825mmx465mmx1030mm

**製造日期** 詳見產品上貼紙日期(年/月/日)

**專利號碼** 專利申請中

**原產地** 中國

**委製商** 巧兒宜國際股份有限公司

**進口商** 巧兒宜國際股份有限公司

**地址** 台北市內湖區瑞光路431號2樓

**電話** 02-27973000

**統一編號** 52603333

**代理商** 奇哥股份有限公司 Chickabiddy Co., Ltd

**地址** 台北市南京東路四段186號5樓

**服務專線** 0800-001-256 / 02-25781188

**統一編號** 04222671

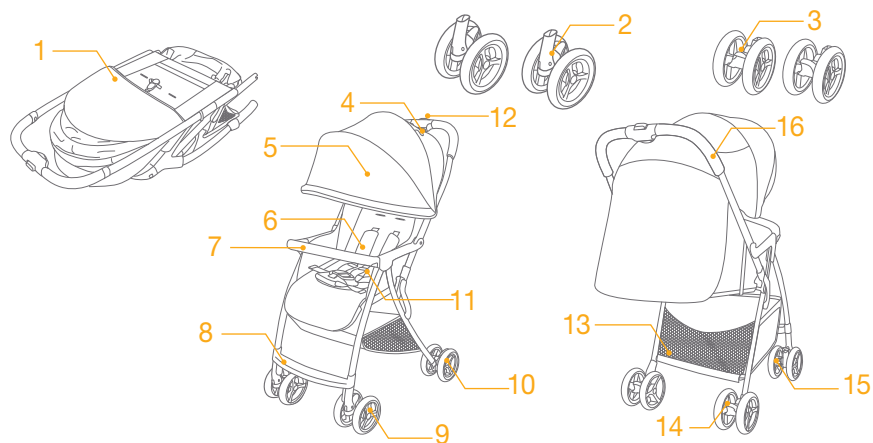
**網址** www.chick.com.tw

使用本產品前請先閱讀說明書全文，如果您對於使用本產品還有任何疑問，請撥服務專線0800-001-256 / 02-25781188

## 產品組件及各部件名稱

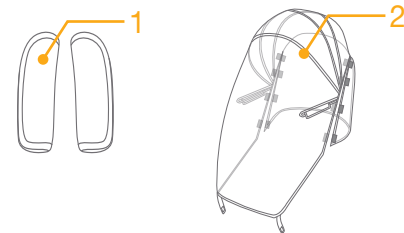
組裝前請確認所有部件已經齊全，如有遺漏，請與銷售商聯繫。本產品無需工具進行組裝。

- |          |           |
|----------|-----------|
| 1 主體     | 9 前輪      |
| 2 前輪     | 10 後輪     |
| 3 後輪     | 11 五方向安全扣 |
| 4 單手收合按鈕 | 12 第二道安全鎖 |
| 5 遮陽篷    | 13 置物籃    |
| 6 肩帶護片   | 14 剎車踏板   |
| 7 扶手     | 15 拉板     |
| 8 腳踏板    | 16 車手     |



## 配件

- 1 肩帶護片
- 2 雨篷



因產品型號的不同，並非所有手推車均附以上配件。

## 警告

- ! 本產品須由成人進行組裝。
- ! 不得將嬰幼兒單獨留置車上無人看護。
- ! 不得附載其它的嬰幼兒、物品或附件於推車上。
- ! 超載或不正確的折疊及使用非經核准的零附件都可能造成車台損壞、故障或不安全，請務必閱讀製造商之說明書。
- ! 任意放置未經製造商核可之物品於車台上將造成危險。
- ! 嬰幼兒乘坐時，安全帶或束縛系統必須正確的扣合及使用。
- ! 當調整手推嬰幼兒車上之任何可活動配件時必須確定嬰幼兒的肢體與車台保持安全距離。
- ! 嬰幼兒可能會滑入足底部分的缺口或造成窒息。
- ! 禁止於樓梯間使用手推嬰幼兒車。
- ! 使用時請遠離火源、高溫、水池或電源之附近範圍。
- ! 不可讓嬰幼兒站立或倒坐於手推嬰兒車上。
- ! 不可將手推嬰幼兒車放置於馬路、坡道或危險場所。
- ! 嬰幼兒乘坐於手推嬰兒車內時，不可將整個車台往上提。
- ! 保持嬰幼兒遠離此遮陽篷及雨篷以免造成窒息。
- ! 六個月大以下的嬰幼兒應同時使用腰部及胯部的安全帶。
- ! 停泊此手推嬰兒車時務必確實使用所有之制動裝置。
- ! 使用前應確實豎立及固定各機構以確保安全。
- ! 供新生兒使用時，必須使用最斜躺位置。
- ! 本手推車適合體重15公斤以下的寶寶使用，不符合使用條件的寶寶會對手推車造成損壞。
- ! 請勿擺放大於4.5公斤的物件於置物籃內，以免導致手推車不穩定而產生危險。

- ! 不得同時乘坐二位及以上寶寶或附載其它的物品、附件於手推車上。
- ! 使用前請仔細閱讀本說明書並請妥善保存供以後參照。如果不按照本說明書可能會影響乘坐寶寶的安全。
- ! 請勿使用其它廠商提供的零部件。
- ! 請勿將任何繩索或索帶類物件懸掛於寶寶頸部附近，或扣在產品上，以免導致寶寶意外窒息。
- ! 請勿放置任何物品在車把、背靠後面或車台側面，以免影響手推車的穩定性。
- ! 請勿將寶寶放到置物籃內。
- ! 請不要讓寶寶攀爬手推車，以免翻倒。
- ! 為避免手指夾傷問題，收合及展開手推車時，請務必小心。
- ! 寶寶接近手推車前，請確認手推車已完全打開或收合。
- ! 當發現手推車損壞時，應立即停止使用。
- ! 本產品不適用於跑步和滑冰，只適合以步行速度使用。
- ! 使用本產品前，請取掉PE袋和包裝材料並銷毀，並放到嬰兒和兒童觸摸不到的地方。
- ! 請勿允許您的寶寶將本產品當玩具玩耍。
- ! 當放入和抱出寶寶時，應鎖定剎車裝置。

## 產品組裝 (圖片請參閱說明書1-6頁)

組裝及使用手推車前，請先閱讀說明書全文，並按照說明書指示進行操作。

### 打開手推車

見圖①

推開第二道安全鎖 ①-1，然後持續按壓單手收合按鈕 ①-2，同時將手推車向後上方向拉起。聽到“咔嚓”聲表示車架已打開到位。

！使用手推車前務必確保車架已打開到位。

### 組裝& 拆卸前輪

見圖② - ③

### 組裝& 拆卸後輪

見圖④ - ⑤

手推車組裝完成後如⑥所示。

## 產品操作

### 調整背靠角度

見圖⑦ - ⑧

#### 調低背靠角度

請單手用手指向下拉拉環釋鎖調整至所需的背靠角度 ⑦

！如寶寶已坐在座椅內，請用另一隻手輕托背靠，以減少震盪。

#### 調高背靠角度

請單手握住扣具，另一手向下拉束繩調整至所需的背靠角度

⑧

！確保背靠角度調整到合適角度後，方可使用。

### 使用扶手

見圖⑨

扶手可以左右打開。

打開扶手時，按壓扶手按鈕 ⑨-1，同時將扶手向上拉起 ⑨-2  
鎖上扶手時，請先將扶手提起，對準末端突起部份，然後插入安裝。

**使用小秘訣** 打開扶手可令寶寶上下手推車更容易。

### 使用安全扣

見圖⑩ - ⑪

#### 鬆開安全扣

按下母扣上的按鈕，鬆開安全扣 ⑩

#### 扣合安全扣

將肩帶扣插入腰帶扣 ⑪-1再將他們插入母扣內 ⑪-2，聽到“咔嚓”聲表示扣合到位 ⑪-3

！為了防止寶寶摔跤，寶寶乘坐時必須繫上安全帶。

！請牢牢地繫上安全帶，並注意寶寶與安全帶之間須可以放進一個手掌的厚度。

！請勿交叉肩帶，以免對寶寶頸部造成壓迫。

### 使用肩帶和腰帶

見圖⑫ - ⑬

！寶寶坐進手推車後，請確認肩帶孔高度和肩帶及腰帶的長度是否合適，以免寶寶於使用時意外跌出。

⑫-1 肩帶固定栓 A

⑫-2 肩帶固定栓 B

⑫-3 調整扣

較大的寶寶使用時，請使用肩帶固定栓A和最上方的肩帶孔；較小的寶寶使用時，請使用肩帶固定栓B和最下方的肩帶孔。



調整肩帶固定栓位置時，將背靠後方的肩帶固定栓放置水平、短邊朝前，從肩帶孔穿出，**13**再從背靠前方將肩帶固定栓穿過最接近寶寶肩膀的肩帶孔 **14**

將調整扣上下滑動，可調節肩帶長度 **15-1**；按壓按鈕 **15-2**，同時往外拉安全扣內側或外側的腰帶，可調節腰帶長度 **15-3**

## 調節小腿靠支撐板

見圖**16** - **17**

！當平躺時，請使用小腿靠。

依不同使用需求，小腿靠共有3個段位可供調節。

段位調高時，將小腿靠支撐板由下往上推即可 **16**

段位調低時，按壓小腿靠兩側的調整按鈕 **17-1**，同時向下調節小腿靠支撐架 **17-2**

## 使用遮陽篷

見圖**18** - **20**

向前或向後拉遮陽篷，即可將遮陽篷打開或收攏 **18**

遮陽篷頂部天窗可打開 **19**

捲起遮陽篷後擋片，將鈕扣套入布帶環中即可固定後擋片 **20**

！捲起遮陽篷後擋片可方便您照看寶寶 **20**

## 前輪定向

見圖**21**

鎖定時，向上提起拉板 **21**，即可固定車輪前行方向。

釋鎖時，按下拉板，車輪可自由轉向，改變推行方向更容易。

**使用小秘訣** 當在碎石路面或不平路面推行時，建議鎖定前輪，便能更輕鬆地操控手推車。

## 使用剎車踏板

見圖**22**

準備剎車時，踩下剎車踏板 **22**，兩邊剎車踏板都完全踩下才能完成剎車動作。

打開剎車時，將剎車踏板抬起。

**使用小秘訣** 手推車停止前進時，請踩下剎車踏板。

## 收合手推車

見圖**23** - **24**

收合手推車前，請先收攏遮陽篷 **18**

推開第二道安全鎖 **23-1**，然後持續按壓單手收合按鈕 **23-2**，稍微提起車把並將推車向前壓即可收合，聽到“咔嚓”聲表示車架已完全收合 **24**

## 使用配件

因產品型號的不同，並非所有手推車均附以下配件。

### 使用肩帶護片

見圖**25**

打開肩帶護片鈕扣 **25-1**，拉開肩帶護片鬆緊帶，即可取下肩帶護片 **25-2**。反之即可組裝。

### 使用雨篷

見圖**26**

將雨篷套到車架上，再扣合雨篷兩側的黏扣帶 **26**

！使用雨篷時，請隨時注意並確認雨篷內有良好的通風。

！不使用雨篷時，請先確認雨篷已清潔並乾燥，再收納。

！請勿收合已罩上雨篷的手推車。

！天氣炎熱時，請勿將幼童放在裝有雨篷的手推車內。

## 保養維護與保固

見圖 27

1. 清洗座布時，請使用30度以下水溫清洗，請勿漂白。
2. 清洗車架：僅能使用中性清潔劑及溫水洗滌，請勿使用漂白劑。
3. 隨時檢查您的手推車，並隨時更換或修理鬆弛磨損的零件、脫落的材料或車縫線。
4. 過度曝曬於陽光下，可導致手推車老化或變形。
5. 手推車潮濕時，請打開手推車及遮陽篷，待乾燥後再收合起來。
6. 如果輪子發出“吱吱”聲，可加油(WD-40，防鏽油或縫紉機油)潤滑。請將潤滑油點入輪軸及軸孔 27 之間，此步驟為重要的保養須知。
7. 在海邊使用手推車時，務必於使用過後清除沙粒，以做好完善的清洗。

## 延長保固服務

請於購買起一個月內至奇哥官網進行登錄，登錄成功後即享有商品延長一年保固服務。



## NOTE

**Joie™**

# Fluri™ stroller

## Instruction Manual

Read these instructions carefully before use and keep them for future reference. Your child's safety may be affected if you do not follow these instructions.



**READ MANUAL CAREFULLY BEFORE USING  
AND KEEP FOR FUTURE REFERENCE.**

## **GB** Welcome to Joie™

Congratulations on becoming part of the Joie family! We are so excited to be part of your journey with your little one. While traveling with the Joie Fluri, you are using a high quality, fully certified stroller, approved to European safety standards CNS 12940-2013. This product is suitable for children up to 15kg or 36 months whichever comes first. Please carefully read this manual and follow each step to ensure a comfortable ride and best protection for your child.

**IMPORTANT - READ CAREFULLY AND KEEP FOR FUTURE REFERENCE.**

Visit us at [joiebaby.com](http://joiebaby.com) to download manuals and see more exciting Joie products!

For warranty information, please visit our website at [joiebaby.com](http://joiebaby.com)

## Contents

Figures	1-6
Emergency	22
Product Information	23
Parts List	24
WARNING	25
<b>Stroller Assembly</b>	<b>26</b>
Open Stroller	26
Assemble & Detach Front Wheels	26

Assemble & Detach Rear Wheels	26
<b>Stroller Operation</b>	<b>26</b>
Adjust Backrest Angle	26
Use Armbar	26
Use Buckle	27
Use Shoulder & Waist Harnesses	27
Adjust Calf Support	27
Use Canopy	28
Use Front Swivel Lock	28
Use Brake	28
Fold Stroller	28
<b>Use Accessories</b>	<b>29</b>
<b>Care and Maintenance</b>	<b>29</b>

## Emergency

In case of emergency or accident, it is most important to have your child taken care of with first aid and medical treatment immediately.

# Product Information

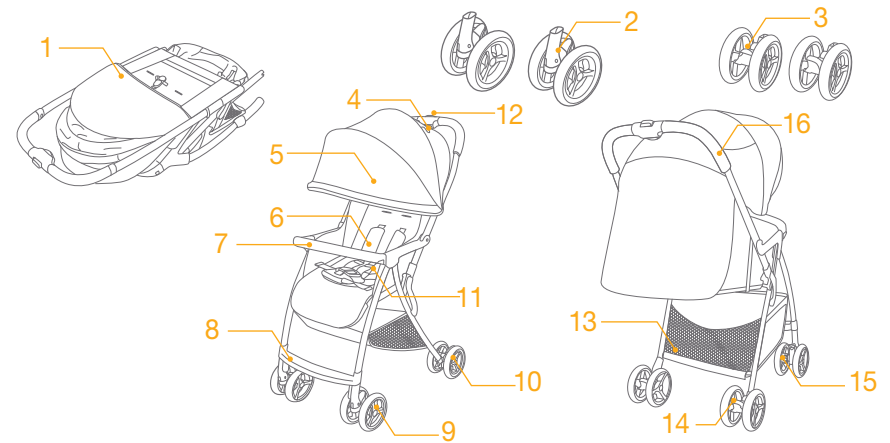
Read all the instructions in this manual before using this product. If you have any further questions, please consult the retailer. Some features may vary depending on model.

<b>Product</b>	Fluri Stroller
<b>Suitable for</b>	This product is suitable for children up to 15 kg or 36 months whichever comes first
<b>Materials</b>	Plastics, metal, fabrics
<b>Patent No.</b>	Patents pending
<b>Made in</b>	China

## Parts List

Make sure all parts are available before assembly. If any part is missing, please contact local retailer. No tools are required for assembly.

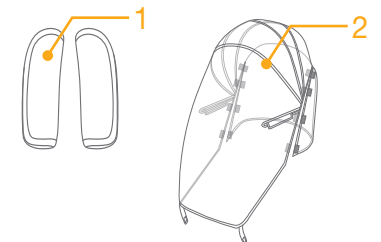
- |                          |                      |
|--------------------------|----------------------|
| 1 Stroller Frame         | 9 Front Wheel        |
| 2 Front Wheels           | 10 Rear Wheel        |
| 3 Rear Wheels            | 11 5 Point Buckle    |
| 4 One-Hand-Fold Button   | 12 Secondary Lock    |
| 5 Canopy                 | 13 Storage Basket    |
| 6 Shoulder Harness Cover | 14 Rear Brake Lever  |
| 7 Armbar                 | 15 Front Swivel Lock |
| 8 Footrest               | 16 Handle            |



## Accessories

(May not be included)

- 1 Shoulder Harness Cover
- 2 Rain Cover



# WARNING

- ! Always use the restraint system.
- ! Ensure that all the locking devices are engaged before use.
- ! Do not let the child play with this product.
- ! Adult assembly required.
- ! This product is suitable for children up to 15kg or 3 years whichever comes first.
- ! To prevent a hazardous, unstable condition, do not place more than 4.5kg in the storage basket.
- ! Never leave the child unattended.
- ! Use the stroller with only one child at a time. Never place purses, shopping bags, parcels or accessory items on the handle or canopy.
- ! Accessories which are not approved by the manufacturer shall not be used.
- ! Only replacement parts supplied or recommended by the manufacturer shall be used.
- ! To avoid injury ensure that the child is kept away when unfolding and folding this product.
- ! This product is not suitable for running or skating.
- ! Pushchair designed to be used from birth shall recommend the use of the most reclined position for new born babies.
- ! The parking device shall be engaged when placing and removing the children.
- ! Any load attached to the handle and/or on the back of the backrest and/or on the sides of the vehicle will affect the stability of the vehicle.

# Stroller Assembly

Please read all the instructions in this manual before assembling and using this product.

## Open Stroller

see image ①

Push secondary lock ① - 1 and squeeze one-hand-fold button. ① - 2

Meanwhile, pull the stroller backward to open. Latches should click into place.

! Check that the stroller is completely open before continuing.

## Assemble & Detach Front Wheels

see images ② - ③

## Assemble & Detach Rear Wheels

see images ④ - ⑤

The completely assembled stroller is shown as ⑥

# Stroller Operation

## Adjust Backrest Angle

see images ⑦ - ⑧

### Recline Backrest

Pull tab to recline backrest. ⑦

! Hold the backrest with the other hand if a child is already seated in the stroller.

### Raise Backrest

Hold both left and right strings and push up the angle adjuster to raise backrest. ⑧

! Make sure the backrest angle is set properly for use.

## Use Armbar

see image ⑨

The armbar can be pulled up on both left and right sides.

Press armbar release button ⑨ - 1, and then pull up the armbar. ⑨ - 2

Align the armbar end with matching component, and then push down to lock.

**Tip** Armbar can be removable or pivot open for stroller entry.

## Use Buckle

see images 10 - 11

### Release Buckle

Press the center button to release the buckle. 10

### Lock Buckle

Match the waist belt buckle with the shoulder belt 11 - 1, and click into the center buckle. 11 - 2 A “click” sound means the buckle is locked completely. 11 - 3

! To avoid serious injury from falling or sliding out, always secure your child with harness.

! Make sure your child is snugly secured, the space between the child and the shoulder harness is about the thickness of one hand.

! Do not cross the shoulder belts. This will cause pressure on child’s neck.

## Use Shoulder & Waist Harnesses

see images 12 - 16

! In order to protect your child from falling out, after your child is placed into the seat, check whether the shoulder and waist harnesses are at proper height and length.

12 - 1 Shoulder harness anchor A

12 - 2 Shoulder harness anchor B

12 - 3 Slide adjuster

For larger child, use Shoulder harness anchor A and the highest shoulder slots.

For smaller child, use Shoulder harness anchor B and the lowest shoulder slots.

To adjust the position of the shoulder harness anchor, turn the anchor to be level with the side facing forward.

Thread it through the shoulder harness slot from back to front. 13 Rethread it through the slot that is closest to child’s shoulder height. 14

Use slide adjuster to change the harness length 15 - 1, Press the button 15 - 2, while pulling the waist harness to proper length. 15 - 3

## Adjust Calf Support

see images 16 - 17

! Use the calf support when being in flat position.

There are three angles for adjustment.

To raise calf support, push the calf support from position 1 to position 3. 16

To lower calf support, press the adjustment buttons on both sides of the calf support 17 - 1, and rotate the calf support downwards. 17 - 2

## Use Canopy

see images 18- 20

To open the canopy, pull canopy toward front. 18

To fold the canopy, pull canopy toward back. 19

The window on the top of canopy can be opened. 20

Roll up the canopy rear panel, and through the webbing out the fabric loop, then snap-fit the snaps on the webbing. 20

! It is convenient to see the baby when rolling up the canopy rear panel.

## Use Front Swivel Lock

see image 21

Pull up the front swivel locks to maintain the moving direction. 21

**Tip** It is recommended to use swivel lock on uneven surfaces.

## Use Brake

see image 22

To lock rear wheels, step on the brake lever. 22 the stroller is braked on the condition that both of the brakes are stepped. Lift the brake lever to release wheels.

**Tip** Always apply brake when stroller is in stopped position.

## Fold Stroller

see images 23 - 24

Please fold the canopy before folding the stroller. 18

Push secondary lock 23 - 1 and squeeze one-hand-fold button 23 - 2 Push the stroller forward to fold.

A click sound means the stroller is folded completely. 24

## Use Accessories

Accessories may be sold separately or may not be available depending on region.

### Use Shoulder Harness Cover

see image 25

Unfasten buttons on the shoulder belt cover, 25 - 1, The shoulder harness cover can be removed from the webbing after pulling the elastic. 25 - 2, To assemble shoulder harness cover in reverse steps.

### Use Rain Cover

see image 26

To assemble the rain cover, place it over the stroller, and then attach the hook and loop fasteners on the rain cover. 26

! When using the rain cover, please always check its ventilation.

! When not in use, please check that the rain cover has been cleaned and dried before folding.

! Do not fold the stroller after assembling the rain cover.

! Do not place your child into the stroller assembled with rain cover during hot weather.

## Care and Maintenance

see image 27

1. Removable infant insert may be washed in cold water and drip-dried. No bleach.
2. To clean stroller frame, use only household soap and warm water. No bleach or detergent.
3. From time to time check your stroller for loose screws, worn parts, torn material or stitching. Replace or repair the parts as needed.
4. Excessive exposure to sun or heat could cause fading or warping of parts.
5. If stroller becomes wet, open canopy and allow to dry thoroughly before storing.
6. If wheels squeak, use a light oil (e.g., WD-40, antirust oil, or sewing machine oil). It is important to get the oil into the axle and wheel assembly. 27
7. When using your stroller at the beach, completely clean your stroller afterward to remove sand and salt from mechanisms and wheel assemblies.

## NOTE





Allison Baby UK Ltd,  
Venture Point, Towers Business Park  
Rugeley, Staffordshire, WS15 1UZ

bring the kids™

Share the joy at [joiebaby.com](http://joiebaby.com)

IM-001414C