

Joie™

6-36 months

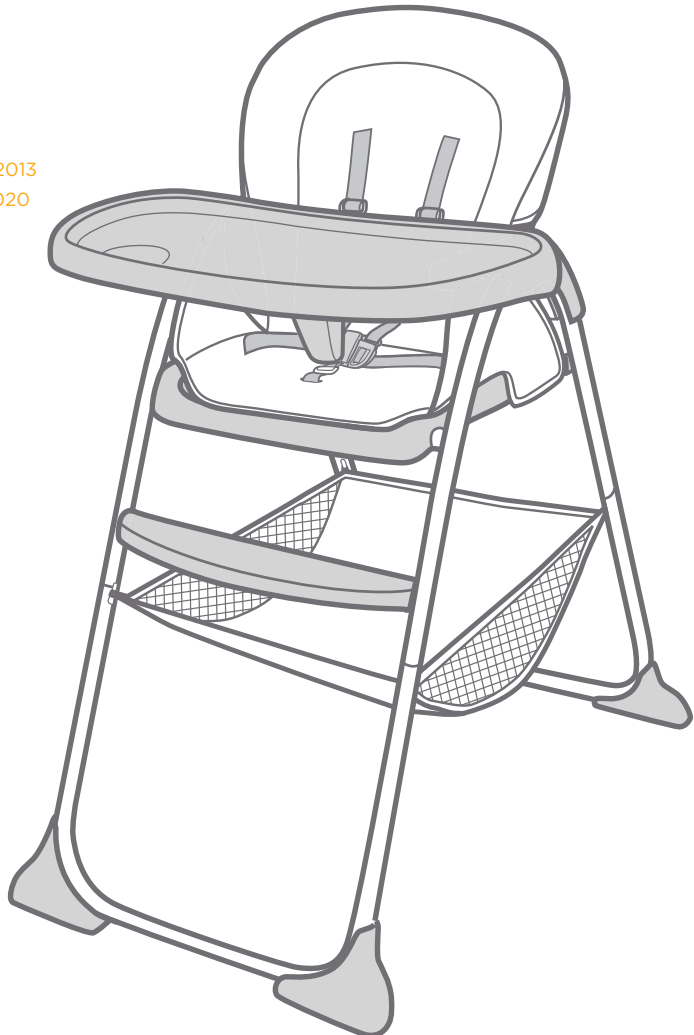
# mimzy™ snacker

輕便高腳餐椅

## 使用說明書

本產品符合安全標準CNS 15017:2013  
和歐洲標準EN 14988:2017+A1:2020  
測試和認證

組裝及使用本產品前  
請先閱讀說明書全文



**重要! 請保留, 便於未來參考用**

# 謝謝您使用本產品

您剛買了一台通過安全標準CNS 15017:2013 和歐洲安全標準EN 14988:2017+A1:2020 檢測的高品質輕便高腳餐椅，這台餐椅適合6個月-36個月，體重15公斤以下的寶寶使用。

請仔細閱讀本說明書並依照指示操作，這樣才能保障並提供您的寶寶一個安全又舒適的使用環境。

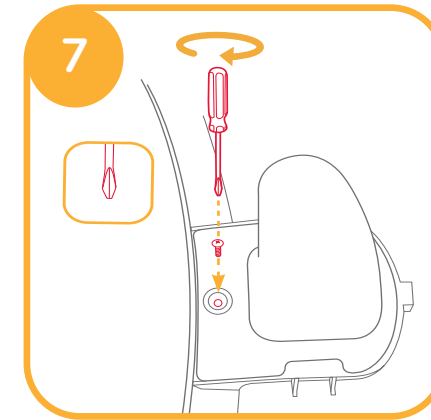
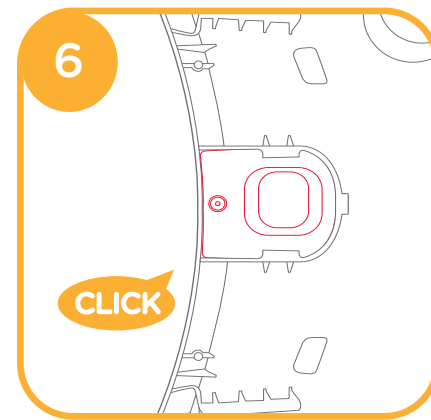
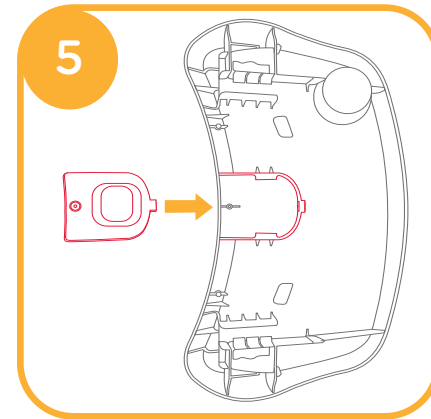
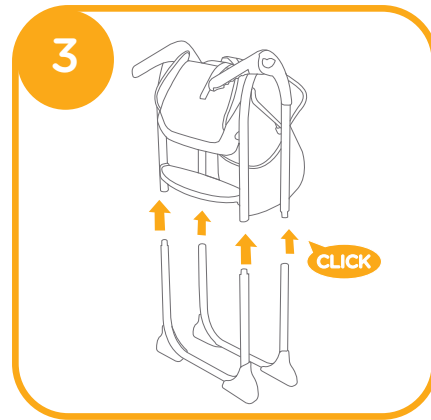
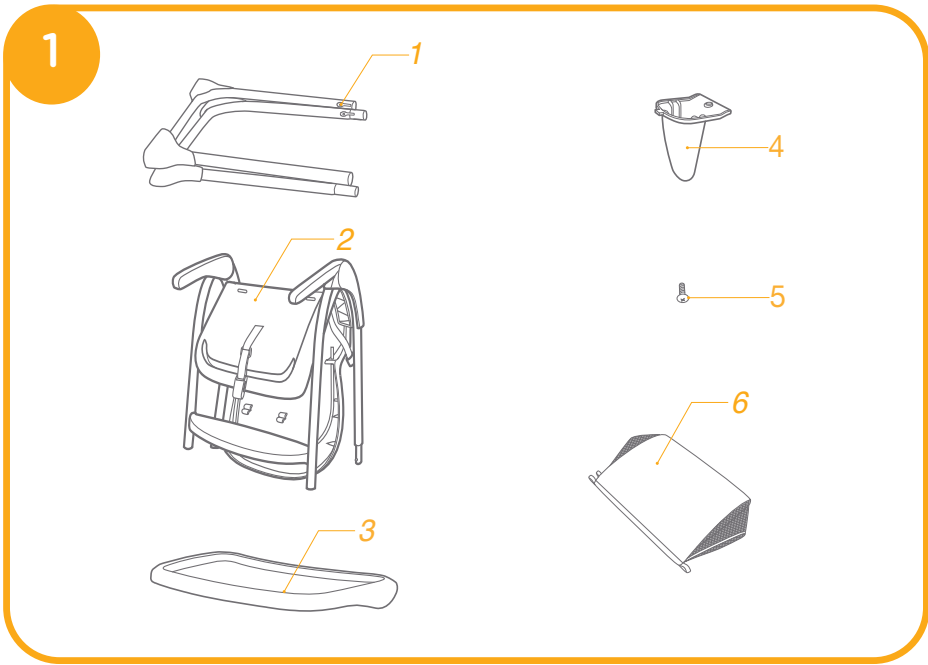
本說明書中採用的插圖是為了說明產品的操作方法和產品結構，當插圖與實物存在差異時，請以實物為準。

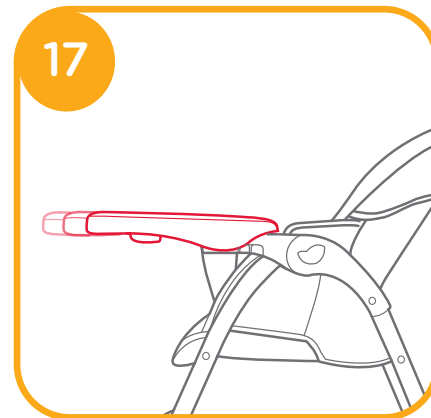
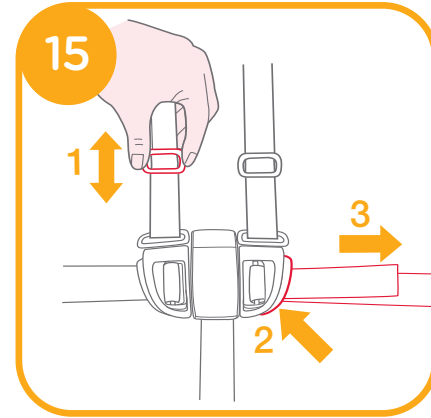
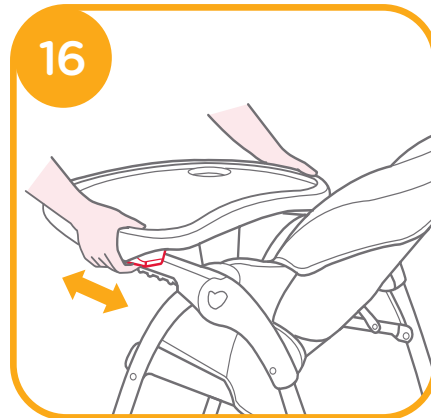
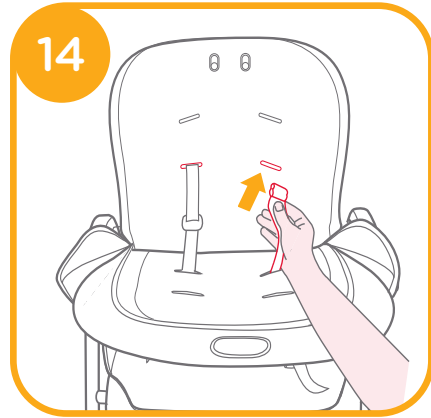
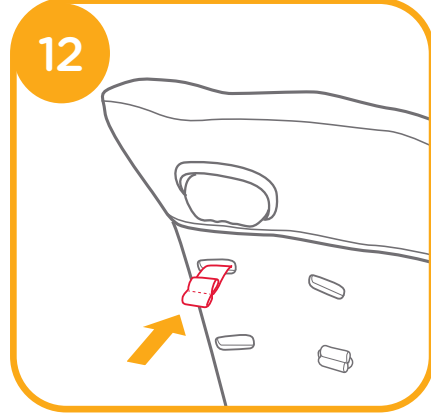
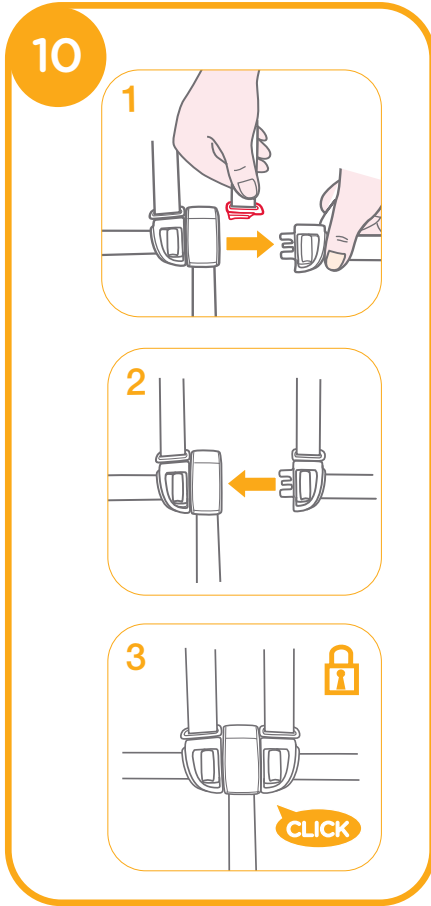
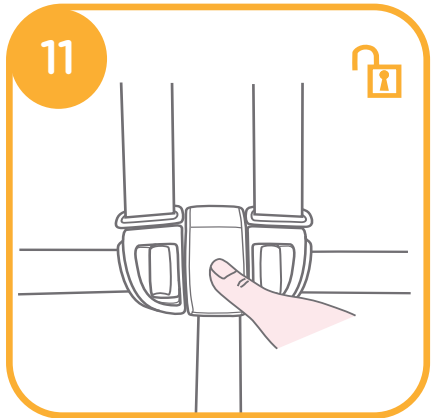
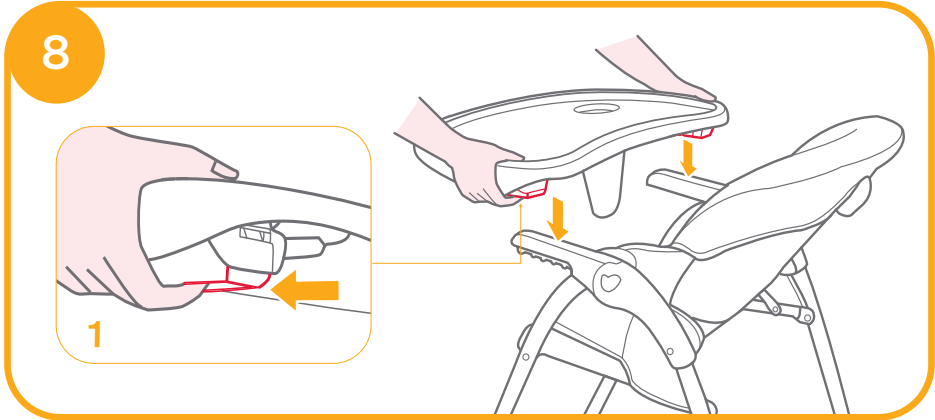
## 功能介紹

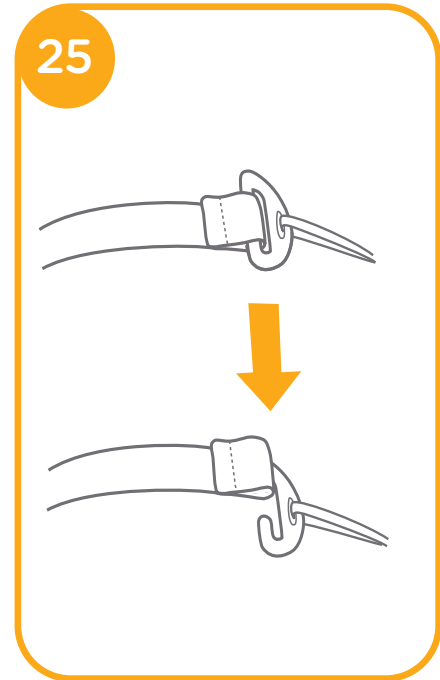
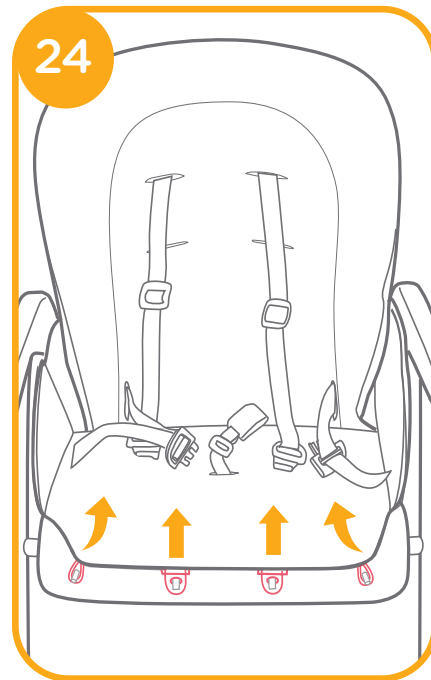
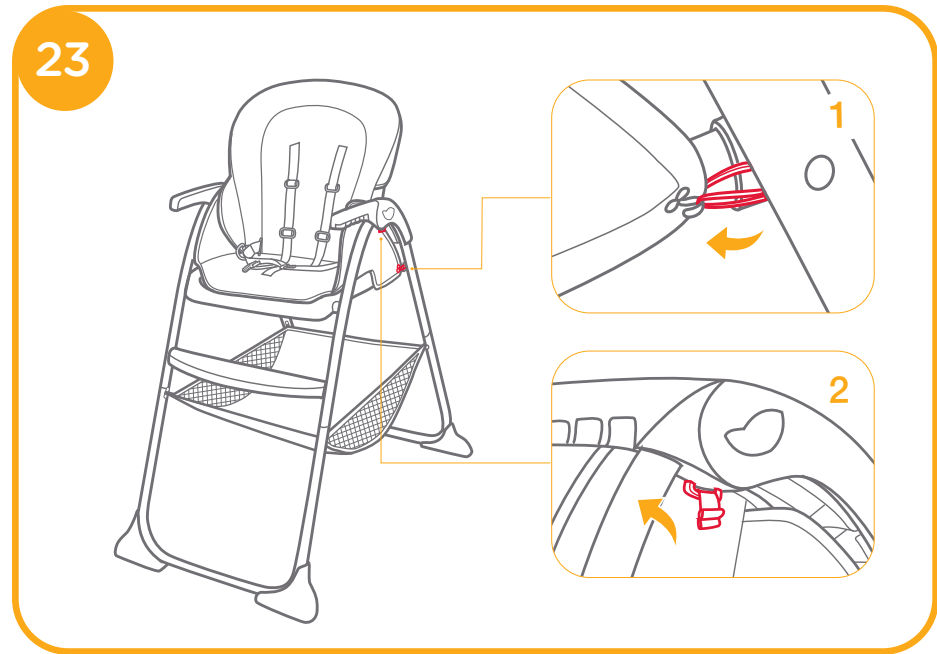
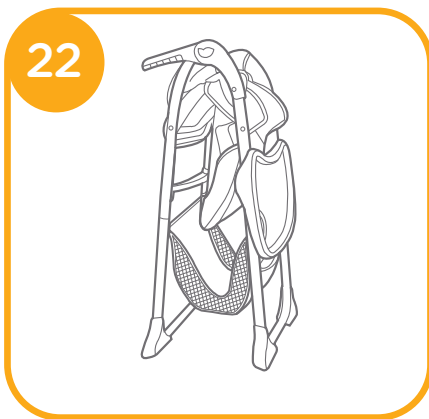
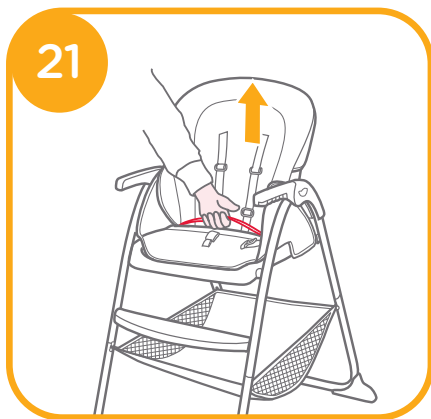
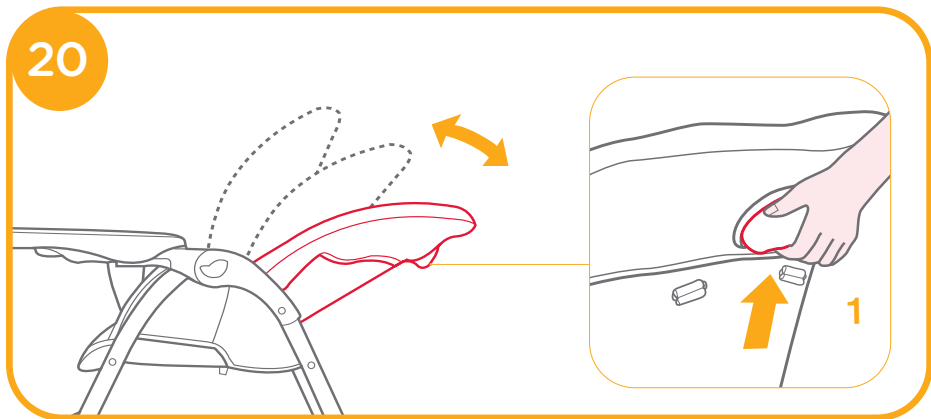
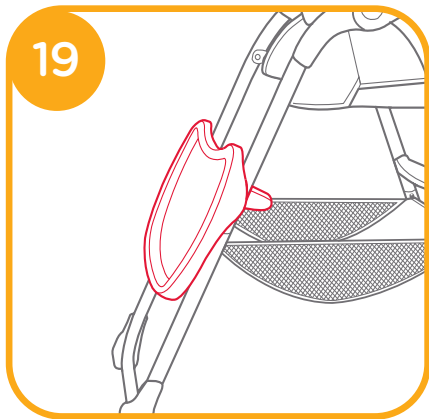
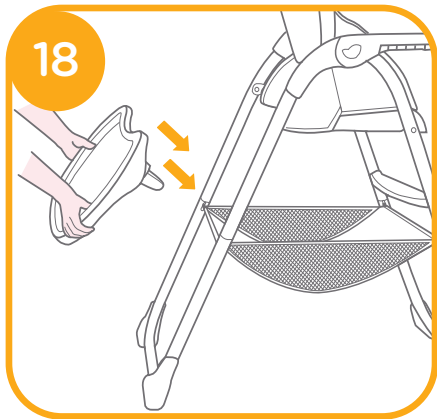
可拆卸式餐盤，方便寶寶與父母同時用餐  
3段式背靠角度調整，滿足寶寶的不同需求  
5點式柔軟安全織帶，不傷寶寶肌膚，寶寶使用更安全  
收合後超薄尺寸，在狹小空間方便儲存  
可拆卸水洗的座墊  
安全方便的餐盤儲存方式  
通過歐洲防火標準  
不含重金屬，雙酚A等有毒物質

## 目錄

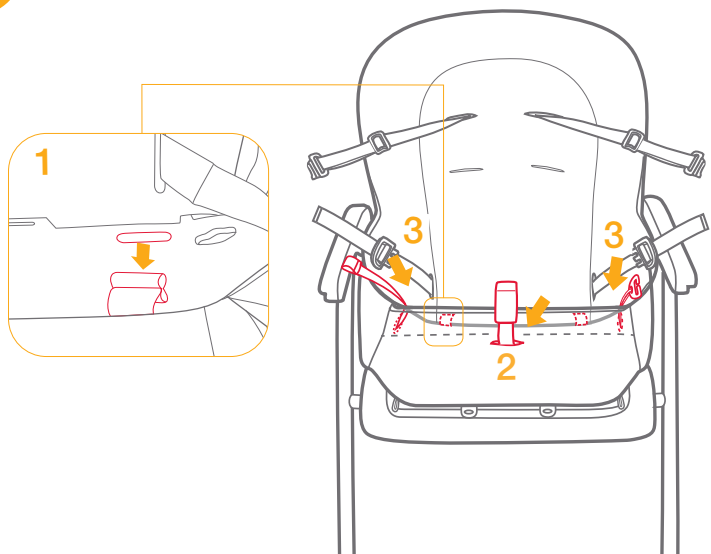
參照圖示	1-7
中文	
警告	8
緊急情況處理	9
產品資訊	10
產品組件及各部件名稱	11
保養與維護	11
產品組裝	12
組裝餐椅	12
使用安全扣	12
調整肩帶和腰帶	13
使用餐盤	13
調整背靠角度	13
折疊餐椅	14
拆卸座墊	14
English	16-25



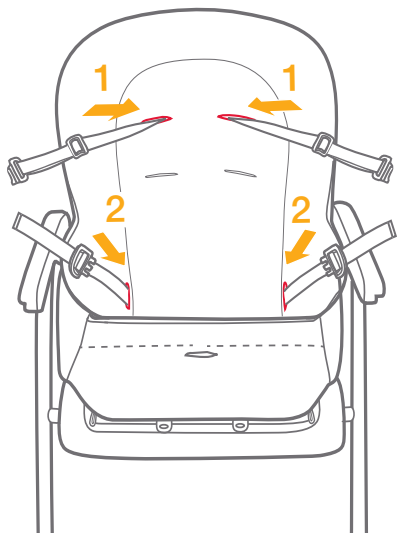




26



27



## 警告

- ! 請保留說明書作日後使用。
- ! 本產品需由成人組裝。
- ! 請勿在未閱讀或了解本餐椅說明書之前，使用或裝置本產品。
- ! 本產品適用於3歲以下無輔助而能自行坐著或最大體重15kg之兒童。
- ! 沒有按照警告和安裝指示操作，可能會影響乘坐寶寶的安全。其它警告標示請注意產品本身之警告事項。
- ! 請勿擅自改造本產品，或使用其他廠商的零件來配合本產品使用。
- ! 本產品如有任何零件破損、開裂或丟失時，請停止使用。
- ! 勿單獨留置兒童於高腳椅，而無成人看顧。
- ! 務必隨時使用束縛系統。確認安全裝置已經安裝妥當。
- ! 兒童乘坐於餐椅時，任何期間內安全帶必須正確調整而且緊好兒童。
- ! 跌落危害:防止兒童爬上產品。
- ! 嬰兒坐在餐椅內時，必須正確使用安全帶，無論是坐着還是躺着。餐盤沒有保護嬰兒的作用。
- ! 建議只有在嬰兒能自己坐穩時才使用直立背靠。
- ! 切勿讓孩子站立在餐椅上。
- ! 當寶寶在餐椅內時，請勿提起餐椅移動。
- ! 當有寶寶乘坐時，不要讓其他孩子在餐椅周圍玩耍。
- ! 不要讓其他孩子斜靠在餐椅邊上，以免不穩定而傾倒。
- ! 請勿在餐盤上放置任何重的袋子，包裹或其他可能導致本產品翻覆的物品。
- ! 請將餐椅放置於平坦地面。

- ! 注意火源及其他熱源，例如高腳椅附近的電器、瓦斯等風險。
- ! 當兒童可伸出雙腳靠在桌子或任何其他結構上時，注意傾倒之風險。
- ! 為避免勒斃危險，請勿將本產品置於任何有繩索的地方，比如窗簾，電話線等物體附近。
- ! 使用餐椅前，請確保餐椅已完全打開且所有的鎖定機構均已鎖定。
- ! 請定期檢查所有鎖定和固定裝置，以確保安全。
- ! 請定期檢查本產品是否有破損的組件，鬆動的連接，丟失的零件或尖銳的邊緣。
- ! 折疊或調整餐椅時，需將寶寶抱開。
- ! 當產品展開及摺疊時，使兒童遠離，以避免受傷。
- ! 寶寶接近餐椅前，請確認餐椅已完全打開或折疊。
- ! 有關零件更換或維修問題，請向進口商諮詢。
- ! 請勿放置會燙傷寶寶的熱食於餐盤上。
- ! 請確保所有織帶都已正確固定。
- ! 除非正確安裝及調整所有組件，否則切勿使用產品。
- ! 無輔助無法自行坐著之兒童，切勿使用產品。
- ! 使用本產品前，請取掉PE袋和包裝材料，並放到嬰兒和兒童觸摸不到的地方。

## 緊急情況處理

意外發生時，應盡速將乘坐的寶寶送醫急救處理。

## 產品資訊

Allison Baby UK Ltd,  
Venture Point, Towers Business Park,  
Rugeley, Staffordshire, WS15 1UZ  
www.joiebaby.com

**產品名稱** 輕便高腳餐椅  
**產品型號** H1127  
**適用年齡** 15公斤以下(6-36個月)的寶寶  
**淨重** 6.52公斤  
**產品尺寸** 890mmx535mmx1020mm  
**製造日期** 詳見產品上貼紙日期(年/月/日)  
**主要材質** 塑膠、五金、布  
**專利號碼** 專利申請中  
**原產地** 中國

**委製商** 巧兒宜國際股份有限公司  
**(進口商)**  
**地址** 台北市內湖區瑞光路431號2樓  
**電話** 02-27973000  
**統一編號** 52603333

**代理商** 奇哥股份有限公司 Chickabiddy Co., Ltd  
**地址** 台北市南京東路四段186號5樓  
**服務專線** 0800-001-256 / 02-25781188  
**統一編號** 04222671  
**網址** www.chick.com.tw

使用本產品前請先閱讀說明書全文，如果您對於使用本產品還有任何疑問，請撥打服務熱線 0800-001-256 / 02-25781188

## 產品組件及各部位名稱

圖 1.1	腳架組	圖 2.5	腳踏板
圖 1.2	座椅組	圖 2.6	前腳
圖 1.3	餐盤	圖 2.7	置物籃
圖 1.4	餐盤擋塊	圖 2.8	後腳
圖 1.5	螺絲	圖 2.9	五方向安全扣
圖 1.6	置物籃	圖 2.10	肩帶
圖 2.1	餐盤	圖 2.11	背靠
圖 2.2	餐盤擋塊		
圖 2.3	座墊		
圖 2.4	座椅		

組裝前請確認所有部件已經齊全，如有遺漏，請與進口商聯繫。  
因應每個型號，規格有所不同。本產品無需工具進行組裝。

## 保養與維護

- ! 座墊可以用海綿和肥皂水擦洗，不可使用漂白劑。
- ! 將洗好的座墊晾乾，不可烘乾。
- ! 去除腳架組上的灰塵和污漬時，可先用濕布擦洗，然後用乾布擦淨濕布留下的痕跡。
- ! 請勿使用未經稀釋的中性清潔劑、汽油或其他有機溶劑清洗餐椅，否則可能對餐椅造成損壞。
- ! 請定期檢查您的餐椅是否有破損的組件、撕裂的材料或車縫線，如有必要請隨時進行更換或修理。
- ! 當長時間不使用本餐椅時，請將餐椅存放於陰涼處及寶寶不易接觸的地方。

## 產品組裝

組裝和使用本產品前，請先閱讀說明書全文。

### 組裝餐椅

組裝和使用本產品前，請先閱讀說明書全文。

- 1.將腳架管對準座椅管插入(圖3)，聽到“咔嚓”聲表示腳架管安裝到位。  
! 請將腳架組往下拉，以確定腳架管已安裝到位。
  - 2.將背靠向上旋轉即可打開餐椅(圖4)，聽到“咔嚓”聲表示背靠完全鎖定。  
! 請確認背靠鐵線已正確卡入座椅卡槽內(圖4.1)  
! 如果背靠鐵線沒有正確卡入，請折疊餐椅(圖21)重複上面操作。
  - 3.組裝置物籃，將置物籃上的4個扣環向下卡進支撐管固定座即可(圖4.2)，向上提起扣環則可拆卸置物籃。
  - 4.向兩側拉餐盤下的調整按鈕(圖8.1)，同時將餐盤放在餐盤扶手上(圖8)，松開調整按鈕，直到聽到“咔嚓”聲表示餐盤安裝到位。
- 餐椅組裝完成後如(圖9)所示。

### 使用安全扣

#### 提示

1. 為防止寶寶摔跌，寶寶乘坐時必須繫上安全帶。
2. 請牢牢地繫上安全帶，並注意寶寶與安全帶之間須可以放進一個手掌的厚度。
3. 請勿交叉肩帶，以免對寶寶頸部造成壓迫。

#### 扣合安全扣

將腰帶扣依次插入肩帶扣(圖10.1)和母扣內(圖10.2)，聽到“咔嚓”聲表示扣合到位(圖10.3)

#### 鬆開安全扣

按下母扣中央的按鈕，鬆開安全扣(圖11)



## 調整肩帶和腰帶

### 提示

1. 寶寶坐進座椅後，請確認肩帶孔高度是否合適，以免寶寶使用時意外跌出。
2. 肩帶孔須與寶寶肩膀高度相同，或略高於寶寶肩膀。
3. 請勿交叉肩帶，以免對寶寶頸部造成壓迫。
4. 較大的寶寶使用時，可使用上方的肩帶孔。
5. 較小的寶寶使用時，可使用下方的肩帶孔。

先將肩帶從肩帶孔中穿出(圖12)，然後選擇一對高度合適的肩帶孔，將肩帶依次穿入座墊孔和背靠孔中(圖13)(圖14)

！ 轉換肩帶孔時，請確認肩帶同時穿入座墊和背靠中。

將日字扣上下滑動，可調節肩帶長度(圖15)

按壓按鈕(圖15.2)，同時往外拉安全扣內側或外側的腰帶，可調節腰帶長度(圖15.3)

## 使用餐盤

向兩側拉餐盤下的調整按鈕(圖8.1)，同時將餐盤沿着餐盤扶手來回移動到合適位置後，再鬆開餐盤調整按鈕(圖16)

餐盤有3個段位可供調整(圖17)，可依需要調整餐盤與寶寶的距離。

！ 請確認餐盤左右卡入相同段位。

！ 請將餐盤往外拉，以確定餐盤左右已牢固固定。

餐盤不使用時，可將餐盤固定到後腳上存放。

向兩側拉餐盤下的調整按鈕(圖8.1)，同時向上提起餐盤，並將餐盤置於後腳上方，使餐盤與後腳卡合(圖18)，卡合後的餐盤如(圖19)所示。

## 調整背靠角度

背靠有3個段位可供調整(圖20)

按壓座椅背後的背靠調整按鈕，同時推拉背靠到所需段位後，再鬆開背靠調整按鈕即可調整背靠角度(圖20.1)

！ 建議只有在嬰兒能自己坐穩時才使用直立背靠。

## 折疊餐椅

！ 當寶寶乘坐在座椅內時，請勿折疊餐椅。

請依以下步驟折疊餐椅：

1. 折疊餐椅前，請先拆除餐盤。
2. 向上提起收合織帶，背靠自動向後折疊(圖21)
3. 將餐盤裝到後腳上(圖22)

## 拆卸座墊

1. 拆除兩側扶手下面的2條織帶和2對鬆緊帶(圖23)
  2. 拆除座椅底部的2個固定片和2對鬆緊帶(圖24)
  3. 拆除收合固定夾上的收合織帶(圖25)
  4. 拆除座墊底部的固定織帶(圖26.1)，然後再將胯帶和收合織帶穿過座墊移除(圖26.2)(圖26.3)
  5. 移除座墊上的肩帶和腰帶(圖27)，然後再將座墊從背靠上移除。
- 組裝座墊時，反向操作即可。

Note

Joie™

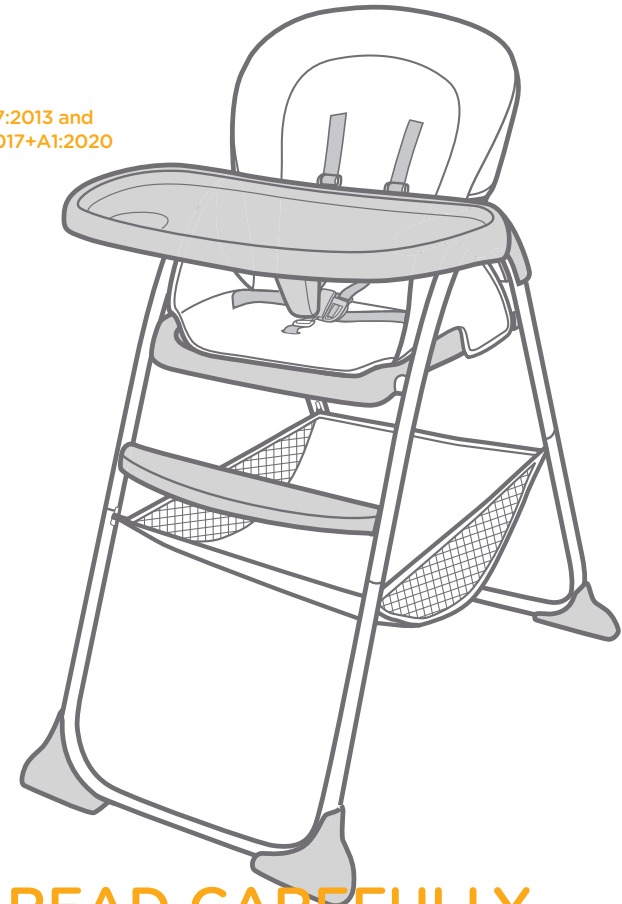
6-36 months

# mimzy™ snacker highchair

## Instruction Manual

This highchair is approved to CNS 15017:2013 and European safety standards EN 14988:2017+A1:2020

Please read all the instructions in this manual before installing and using the product



**IMPORTANT! READ CAREFULLY  
AND KEEP FOR FUTURE REFER-  
ENCE**

# Thank you for purchasing a Joie Highchair

This product is a high-quality, fully-certified, foldable highchair. It is approved by CNS 15017:2013 and European safety standards EN 14988:2017+A1:2020. It is suitable for children between 6-36 months of age (under 15kg)

Carefully read this instruction manual and follow the installation steps as this is the **ONLY** way to protect your child from serious injury or death in the case of an accident, and to provide comfort to your child while using this product.

The figures in this manual are to illustrate the methods of operation and main features of product. This model may have differences between features shown. The figures are only for reference.

## Highchair Features

- Removable tray for use at adult table
- Safe tray storage when not in use for added convenience
- 3-position reclining seat for smaller children and after-meal naps
- Ultra-slim fold for easy storage in small spaces
- Removable, easy-to-clean seat pad
- 5-point harness for additional child security

## Contents

Reference Figures	1 - 7
English	
WARNING	19
Emergency	20
Product Information	21
Parts List	22
Care and Maintenance	22
Highchair Assembly	22
Assemble Highchair	21
Use Buckle	23
Adjust Shoulder and Waister Harnesses	23
Use Tray	24
Adjust Recline	24
Fold Highchair	25
Detach Seat Pad	25

# WARNINGS

- ! Please keep instruction manual for future reference.
- ! Adult assembly required.
- ! Read all the instructions in this manual before using this product.
- ! This product is designed ONLY for child weighing under 15kg (6-36months).
- ! Failure to follow these warnings and the assembly instructions could result in danger. Other warnings, please note the product of its own warnings.
- ! DO NOT make any modification to this highchair or use it along with component parts from other manufacturers.
- ! DO NOT use the product if any parts are broken, torn or missing.
- ! Never leave the child unattended. Always keep your child in view.
- ! Always use the restraint system.
- ! To prevent serious injury or death from falling or sliding out, always secure child in the restraint.
- ! Falling hazard: Prevent your child from climbing on the product.
- ! Secure your child at all times with the restraint system provided, either in the reclining or upright position. The tray is not designed to hold your child in the product.
- ! It is recommended that the product be used in the upright position only by children capable of sitting upright unassisted.
- ! DO NOT allow your child to stand in or on the highchair.
- ! DO NOT lift and carry highchair while occupied.
- ! DO NOT allow children to play with or around highchair while occupied.
- ! DO NOT allow children to lean over sides of highchair. It may become unbalanced and tip over.
- ! DO NOT place any heavy bags, packages, or other items on the highchair tray. They may cause the chair to tip over.
- ! Always use on a flat and level floor.

- ! Be aware of the risk of open fire and other sources of strong heat in the vicinity of the product.
- ! Be aware of the risk of tilting when your child can push its feet against a table or any other structure.
- ! To avoid strangulation hazard, DO NOT place product in any location where there are cords, such as window blind cords, drapes, phone cords, etc.
- ! All assembly fittings should be unfolded completely and tightened properly before using the product.
- ! Regularly check the locks and fittings for security.
- ! Regularly inspect the product for damaged hardware, loose joints, missing parts or sharp edges.
- ! Keep children away when unfolding and folding the product to avoid injury.
- ! Make sure the product has been folded or unfolded completely before letting your child approach the highchair.
- ! Consult the distributor for issues concerning maintenance, repair and part replacement.
- ! DO NOT place food that is hot enough to burn child's skin on the tray.
- ! Make sure that any harness is correctly fitted.
- ! Do not use the high chair unless all components are correctly fitted and adjusted.
- ! Do not use the high chair until the child can sit up unaided.
- ! To avoid suffocation, remove plastic bag and packaging materials before using this product. The plastic bag and packaging materials should then be kept away from babies and children.

## Emergency

In case of emergency or accident, it is most important to have your child taken care of with first aid and medical treatment immediately.

## Product Information

Allison Baby UK Ltd,  
Venture Point, Towers Business Park,  
Rugeley, Staffordshire, WS15 1UZ  
www.joiebaby.com

<b>Product</b>	Mimzy Snacker Highchair
<b>Model</b>	H1127
<b>Suitable for</b>	Child weighing under 15kg (6 - 36 months)
<b>Net Weight</b>	6.52kg
<b>Product Size</b>	890mmx535mmx1020mm
<b>Date</b>	Please see detailed date on label (year / month / day)
<b>Materials</b>	Plastics, metal, fabrics
<b>Patent No.</b>	Patents pending
<b>Made in</b>	China
<b>Distributor</b>	Chickabiddy Co., Ltd
<b>Address</b>	5 <sup>th</sup> FL, 186, Nanking E. Rd, Sec. 4, Taipei, Taiwan 10595
<b>Tel.</b>	0800-001-256 / 02-25781188
<b>Website</b>	www.chick.com.tw

Read all the instructions in this manual before using this product. If you have any further questions, please call 0800-001-256 / 02-25781188 directly.

## Parts List

Fig. 1.1	Leg Assembly	Fig. 1.6	Basket	Fig. 2.7	Basket
Fig. 1.2	Seat Assembly	Fig. 2.1	Tray	Fig. 2.8	Rear Leg
Fig. 1.3	Tray	Fig. 2.2	Tray Horn	Fig. 2.9	5-Point Buckle
Fig. 1.4	Tray Horn	Fig. 2.3	Seat Pad	Fig. 2.10	Shoulder Harness
Fig. 1.5	Screw	Fig. 2.4	Seat	Fig. 2.11	Backrest
		Fig. 2.5	Footrest		
		Fig. 2.6	Front Leg		

Make sure all parts are available before assembly. If any part is missing, please contact local retailer. No tools are required for assembly.

## Care and Maintenance

- ! Your seat pad can be spot cleaned with a sponge and soapy water. DO NOT use bleach.
- ! Drip dry the washed seat pad. DO NOT put in dryer.
- ! To clean the frame, wipe with a damp cloth then wipe out any traces of moisture on the frame with a dry cloth.
- ! DO NOT use undiluted neutral detergent, gasoline or other organic solvent to wash the highchair. It may cause damage to the highchair.
- ! From time to time, check your highchair for worn parts, torn material or stitching. Replace or repair the parts as needed.
- ! If the highchair is not in use for a long period of time, please put it in the shade and somewhere your child can not access it.

## Highchair Assembly

Please read all the instructions in this manual before assembling and using this product.

## Assemble Highchair

1. Align the tubes of leg assembly with those of seat assembly, and then insert to assemble. A click means both the two tubes are assembled properly. (Fig. 3)
  - ! Please check the legs are assembled well by pulling them apart.

- Open the highchair by rotating the backrest upwards (Fig. 4). a “click” means the backrest is locked completely.
  - ! Please confirm the recline wire and seat latch slot are fully engaged before use. (Fig. 4.1)
  - ! If they are not correctly engaged, please fold the unit as Fig. 18 and repeat the above operation.
- Please attach basket to the support leg by 4 pairs of webbings (Fig. 4.2). Pull webbings upwards to remove basket.
- Place the tray over tray bar (Fig. 8) while pulling the button on both sides under the tray outward (Fig. 8.1) until a “click” is heard.

The assembled highchair is shown as Fig. 9.

## Use Buckle

### Note

- To avoid serious injury from falling or sliding out, always secure your child with harness.
- Make sure your child is snugly secured, and that the space between the child and the shoulder harness is about the thickness of one hand.
- DO NOT cross the shoulder belts. This will cause pressure on child’s neck.

### Lock Buckle

Match the waist belt buckle with the shoulder buckle (Fig. 10.1), and “click” into the center buckle (Fig. 10.2), a “click” means the buckle is locked completely. (Fig. 10.3)

### Release Buckle

Press the center button to release the buckle. (Fig. 11)

## Adjust Shoulder and waister Harnesses

### Note

- The shoulder harness must go into the slot that is even with or slightly above the shoulders.
- In order to protect your child from falling out, after your child is placed into the seat, check whether the shoulder harnesses are at proper height.
- For larger child, use the upper shoulder slots. For smaller child, use the lower shoulder slots.

Choose a pair of proper shoulder slots, thread shoulder harnesses out off previous slots (Fig. 12) , and then insert into desired slots in seat pad and seat back. (Fig. 13) (Fig. 14)

! When changing shoulder harness slots, make sure shoulder harnesses are going through same slots in seat pad and seat back.

Use slide adjuster to change the harness length (Fig. 15.1), press the button (Fig. 15.2), while pulling the waist harness to proper length. (Fig. 15.3)

## Use Tray

Sliding the tray along the tray bar to a proper position (Fig. 16) while pulling the button under the tray outward (Fig. 8.1). The tray has 3 positions for adjustment. (Fig. 17)

! Ensure both sides of tray are in matching positions.

! Pull tray backward to ensure both guides are secure.

When the tray is not in use, It can be stored on the rear legs.

Lift the tray from the tray bar, while pulling the button under the tray outward. (Fig. 8.1)

Place the tray over the rear legs and snap the tray guides into place. It will automatically slide to the end of the rear legs (Fig. 18). The stored tray is shown as (Fig. 19)

## Adjust Recline

There are 3 recline positions. (Fig. 20)

Squeeze button on the back of seat and push down or pull up to adjust the seat back to a desired recline position. (Fig. 20.1)

! It is recommended that the product be used in the upright position only by children capable of sitting upright unassisted.

## Fold Highchair

! DO NOT fold the highchair with child in it.

Fold the highchair by following these steps:

1. Remove tray before folding the highchair.
2. Pull the folding webbing upward, the back rest will automatically fold backward. (Fig. 21)
3. Store the tray on the rear legs. (Fig. 22)

## Detach Seat Pad

1. Disassemble 2 pairs of webbings and 2 pairs of elastic straps on both sides of armrest. (Fig. 23)
2. Disassemble 2 pairs of fastening pieces and 2 pairs of elastic straps on the bottom of seat. (Fig. 24)
3. Remove the clip from folding webbing. (Fig. 25)
4. Disassemble the webbing on the bottom of seat pad (Fig. 26.1). Remove crotch harness and folding webbing from seat pad. (Fig. 26.2) (Fig. 26.3)
5. Remove shoulder harnesses and waist harnesses from seat pad (Fig. 27.1) (Fig. 27.2), then remove seat pad from seat back.

To assemble seat pad in reverse steps.

## Note





The logo for Joie, featuring the word "Joie" in a white, sans-serif font with a small leaf icon above the letter 'i'. A trademark symbol (TM) is positioned to the upper right of the word. The logo is set against a solid orange square background.

Joie™

bring the kids™

Share the joy at [joiebaby.com](http://joiebaby.com)

IM-001067A