

Joie™

6 - 72 months

# multiply™ 6in1

成長型兒童餐椅

## 使用說明書

本產品符合安全標準CNS 15017:2013  
和CNS 16007:2017和CNS 16045:2018  
和歐洲標準 EN 14988:2017+A1:2020  
和EN 16120:2012+A2:2016

測試和認證

組裝及使用本產品前

請先閱讀說明書全文



**重要! 保留以備參照: 請詳細閱讀**

# 謝謝您使用本產品

祝賀您加入巧兒宜大家庭！您剛買了一台符合安全標準 CNS 15017:2013 和 CNS 16007:2017 和 CNS 16045:2018 和歐洲安全標準 EN 14988:2017+A1:2020 和 EN 16120:2012+A2:2016 的高品質成長型兒童餐椅。這台高腳椅適用於6-72個月（6個月-6歲），體重9-27.3公斤的兒童使用。

請仔細閱讀本說明書並依照指示操作，這樣才能保障並提供您的兒童一個安全又舒適的使用環境。

本說明書中採用的插圖是為了說明產品的操作方法和產品結構，當插圖與實物存在差異時，請以實物為準。

如需要了解更多信息，請您訪問 [joiebaby.com](http://joiebaby.com) 網站下載說明書或查看更多令人激動的 Joie 產品！

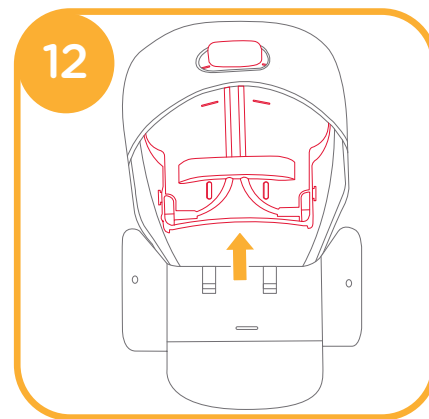
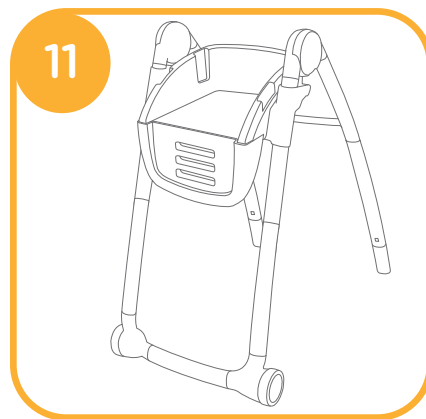
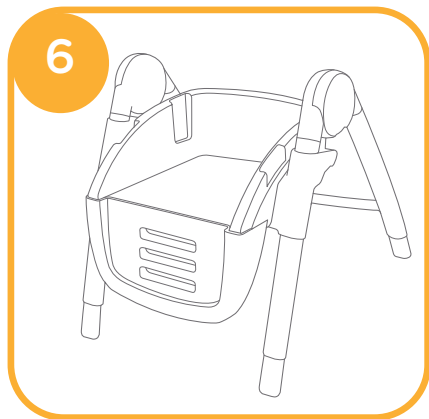
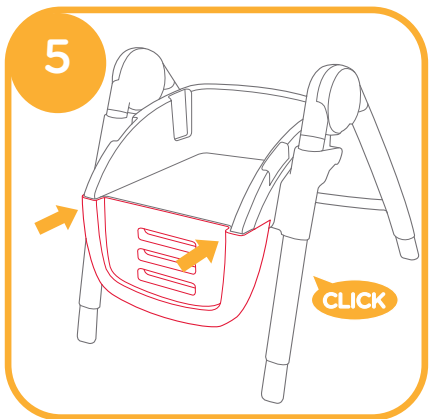
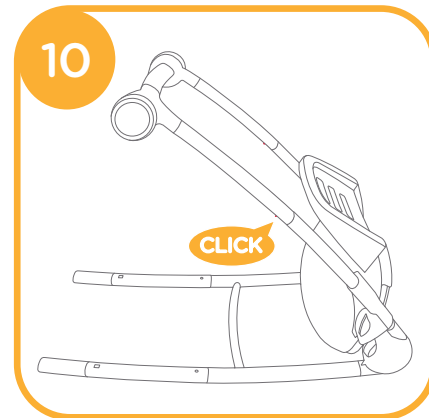
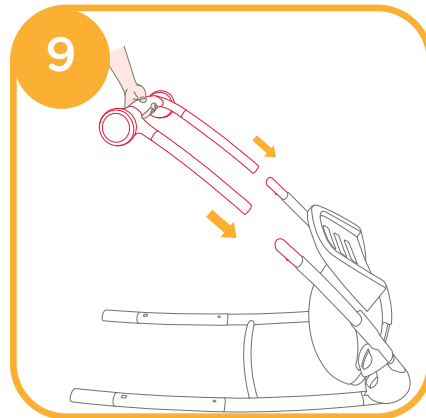
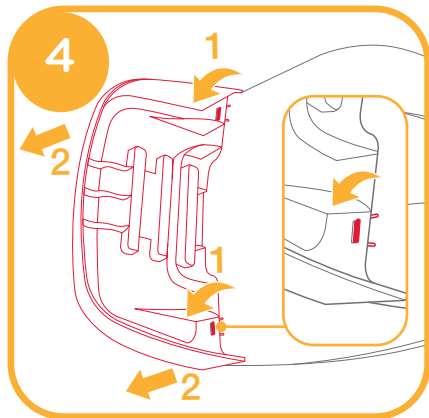
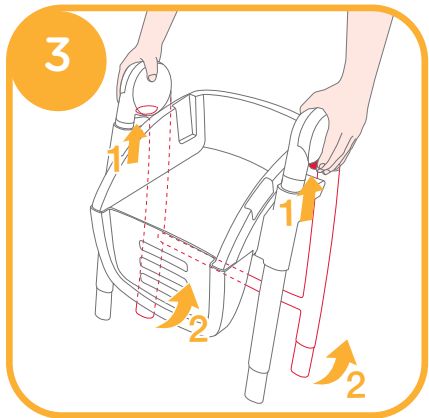
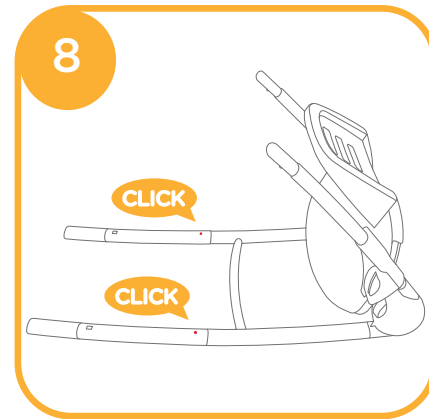
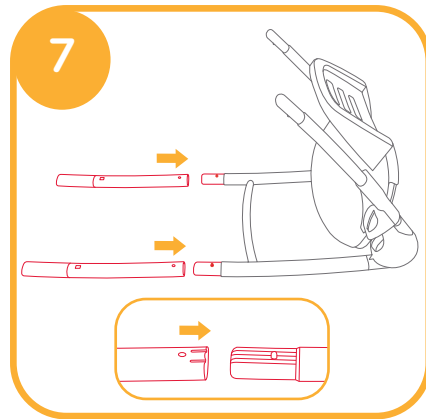
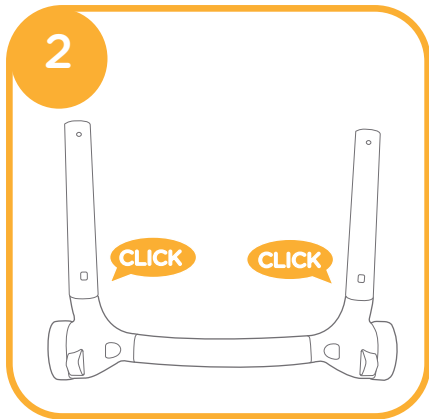
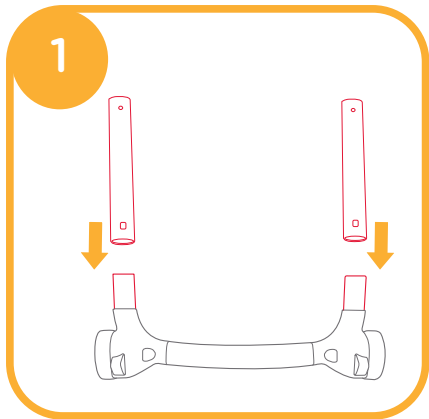
## 功能介紹

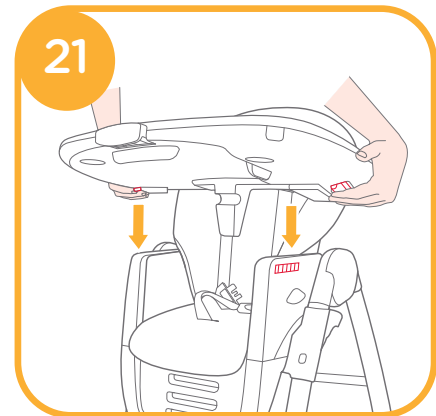
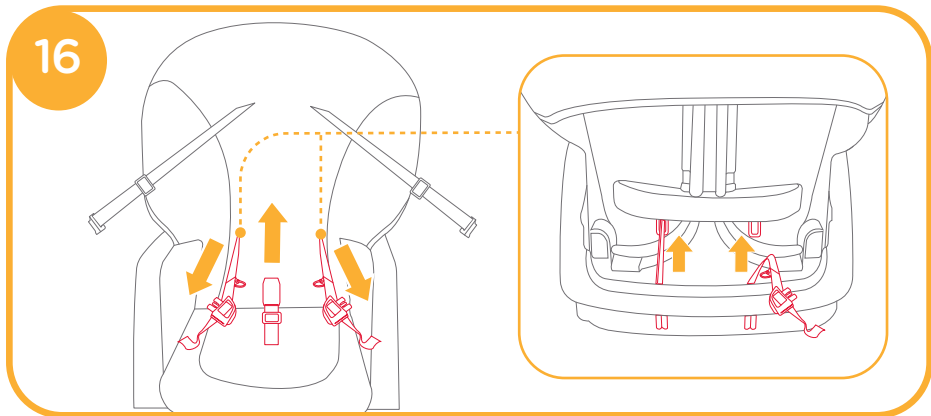
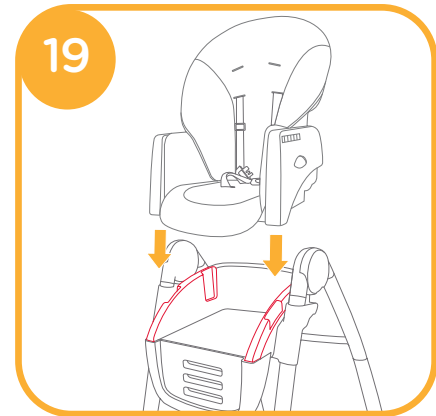
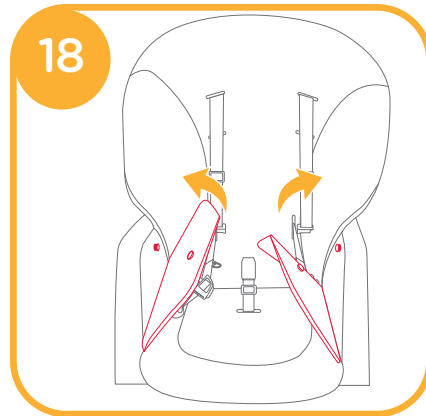
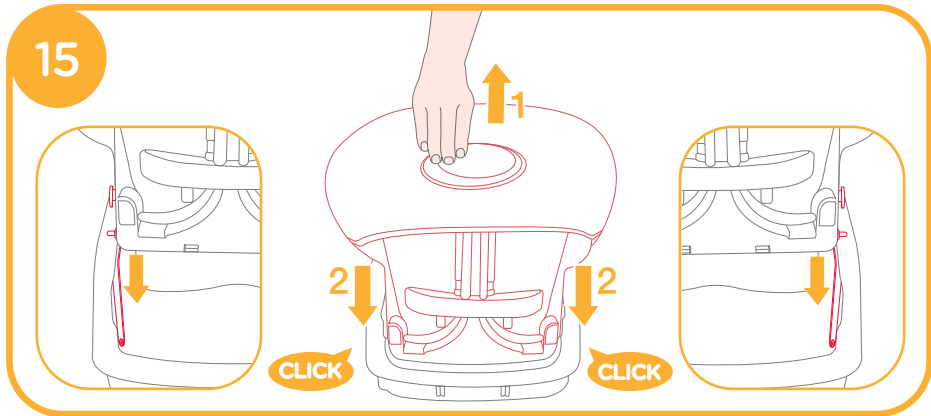
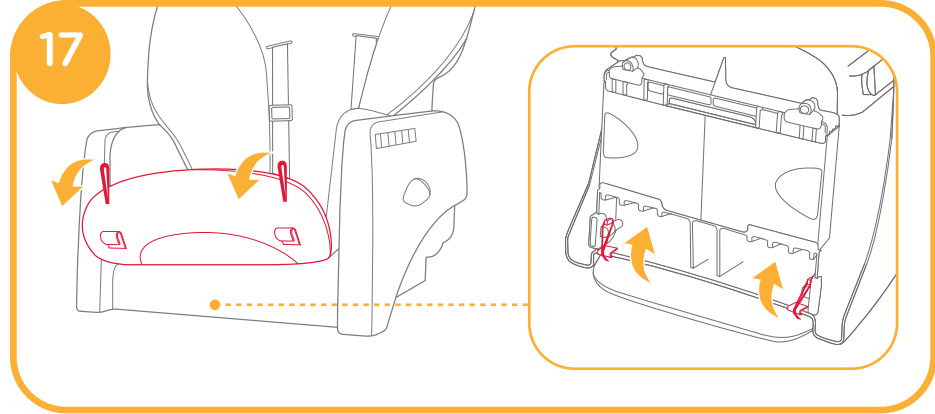
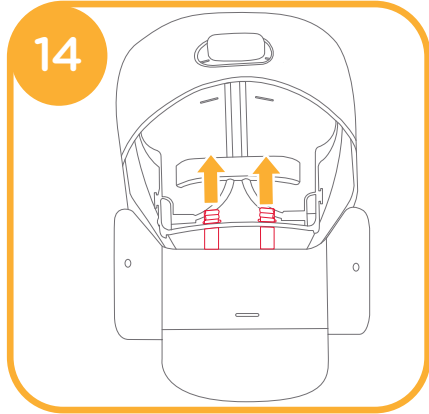
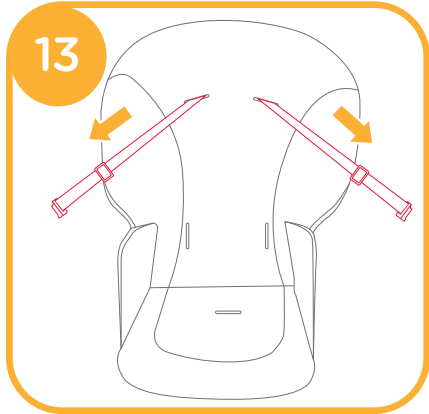
- 可拆卸式餐盤，方便兒童與父母同時用餐
- 3段式背靠角度調整，滿足兒童的不同需求
- 5點式柔軟安全織帶，不傷兒童肌膚，兒童使用更安全
- 收合後超薄尺寸，在狹小空間方便儲存
- 可拆卸水洗的座墊
- 通過歐洲防火標準
- 不含重金屬，雙酚A等有毒物質

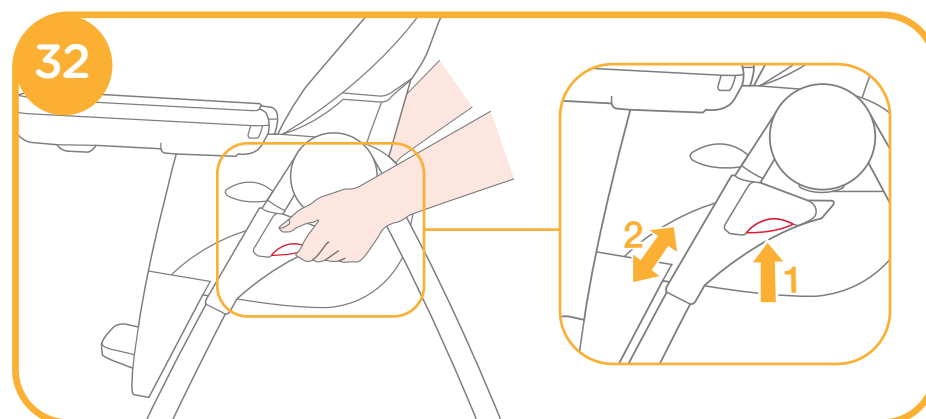
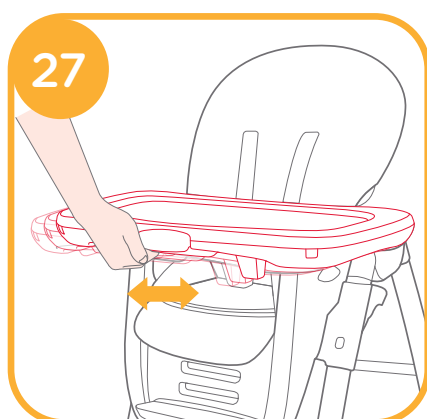
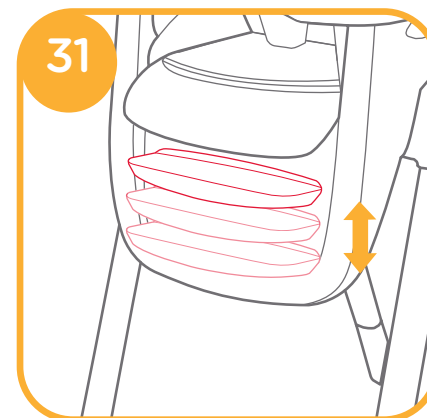
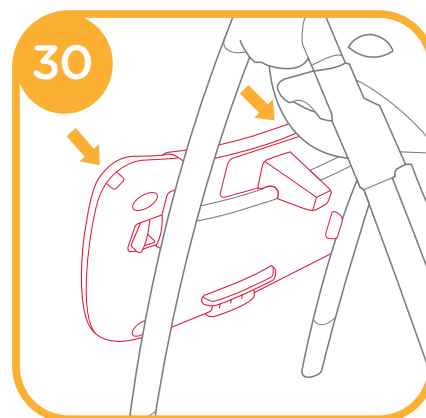
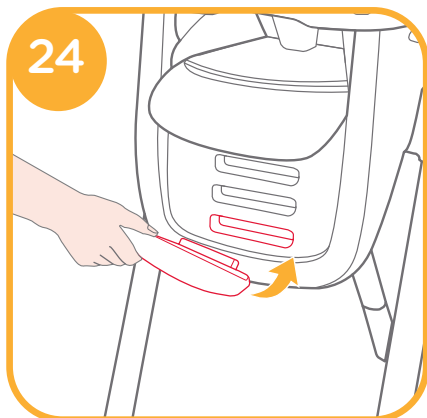
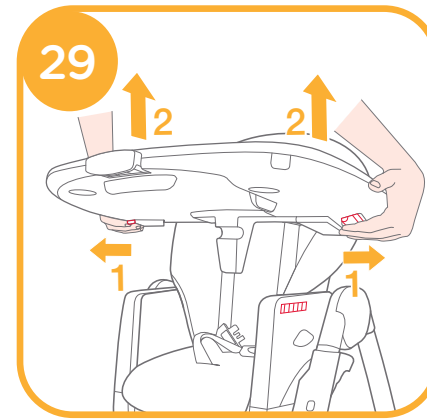
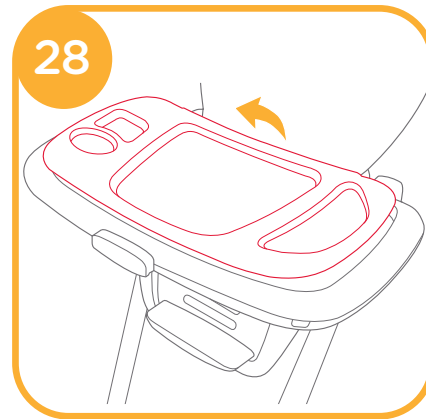
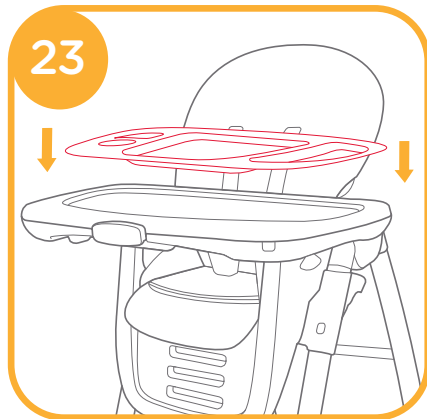
**重要！請保留，便於未來參考用。**

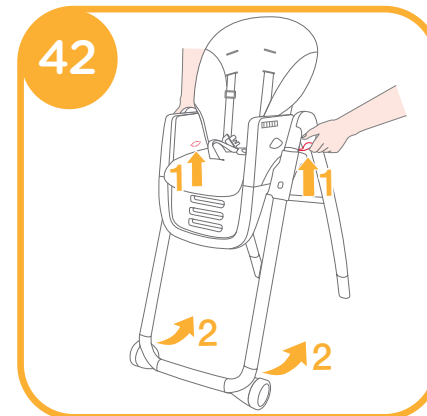
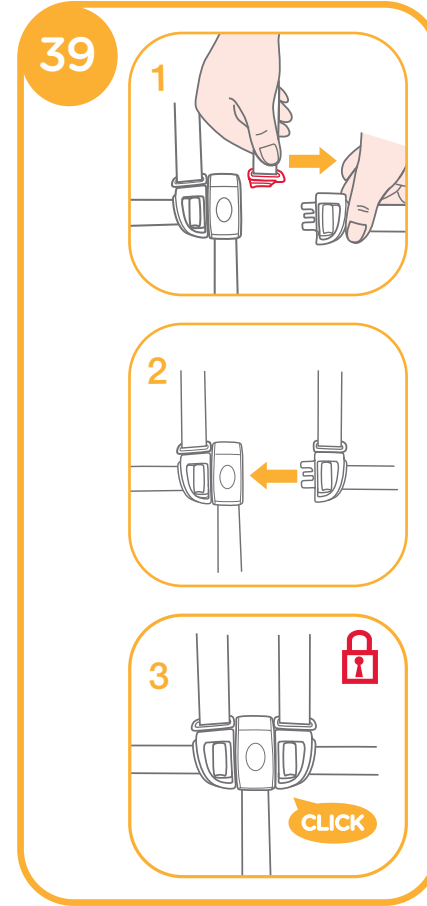
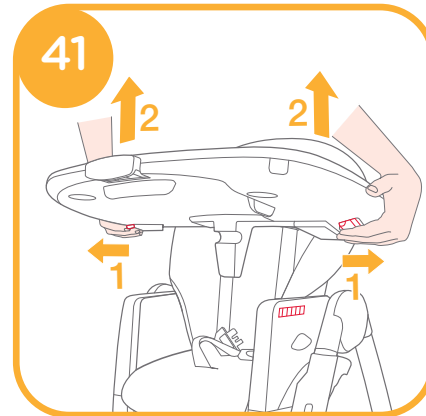
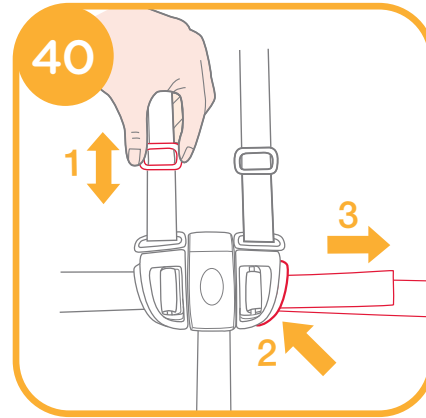
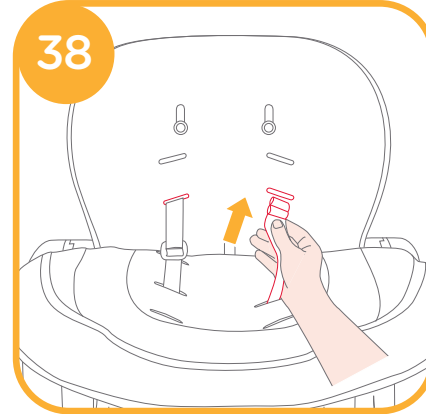
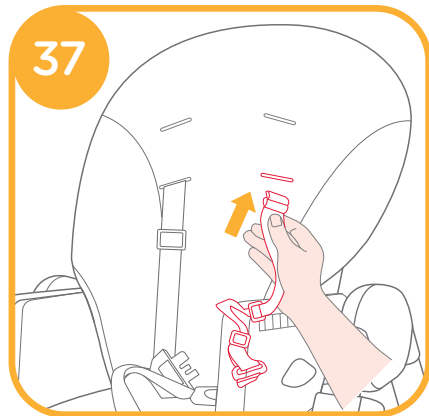
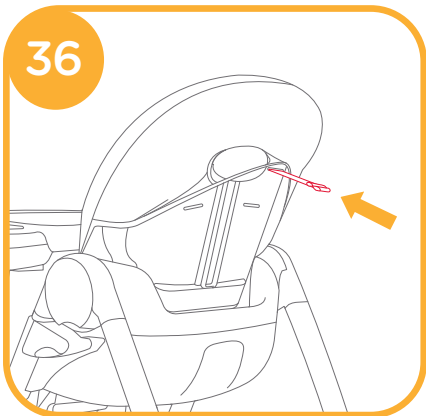
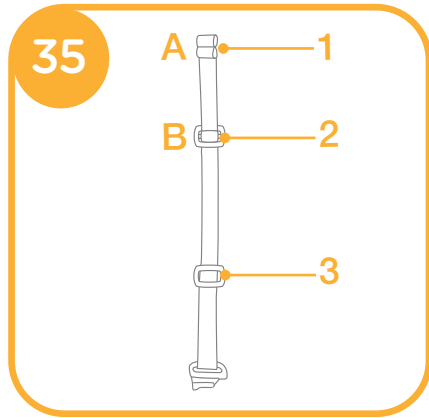
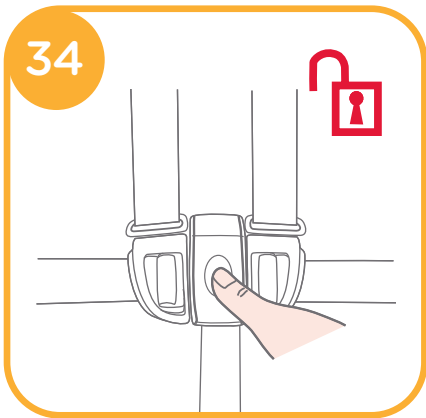
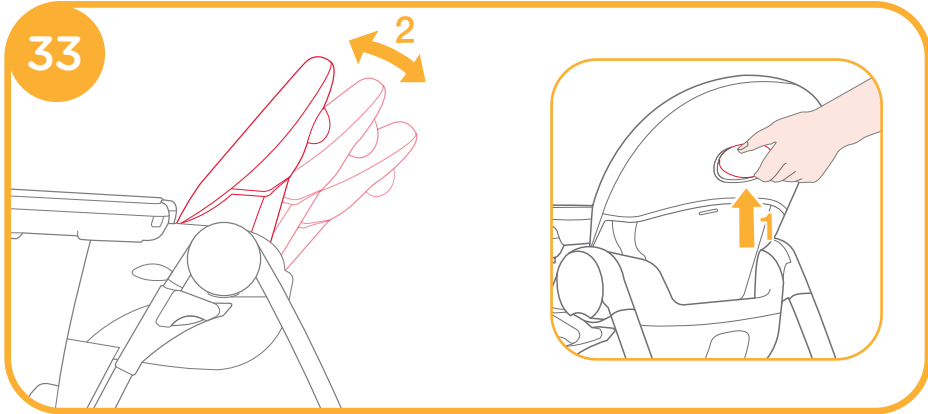
## 目錄

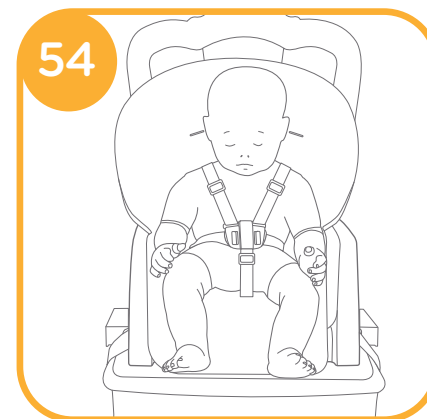
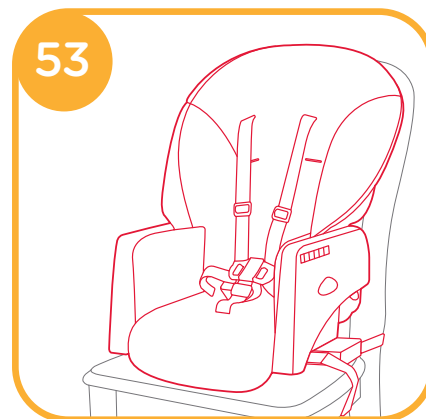
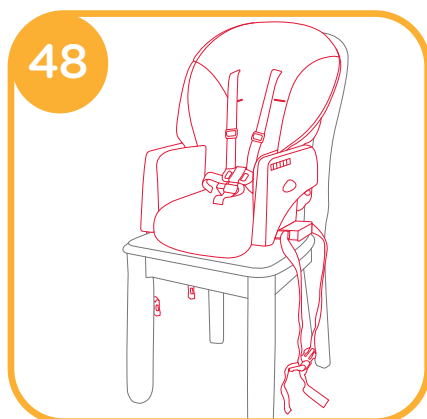
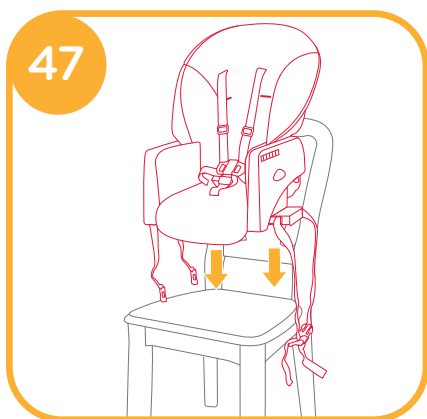
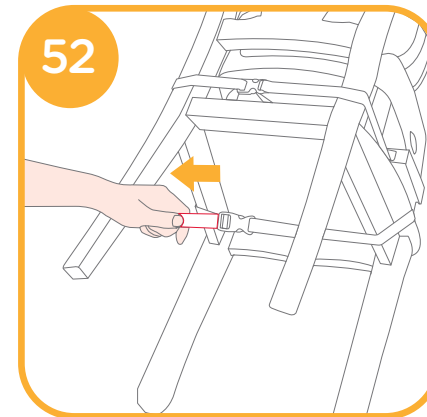
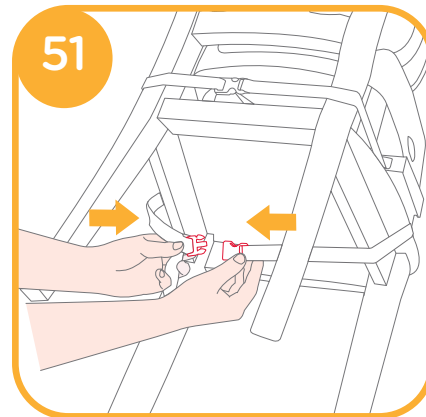
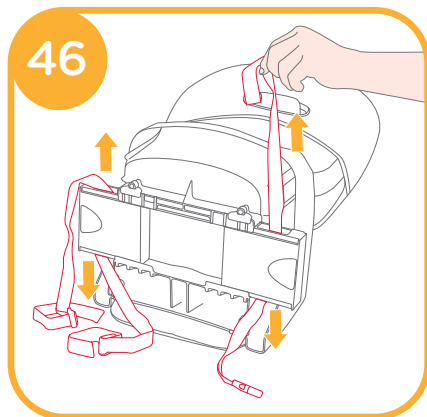
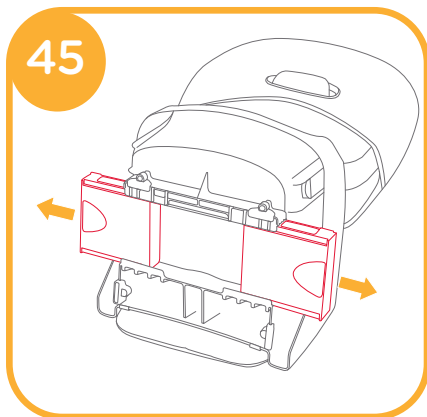
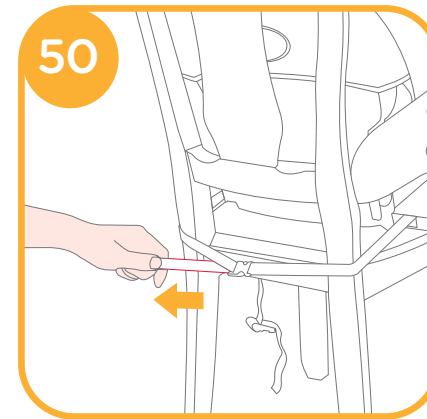
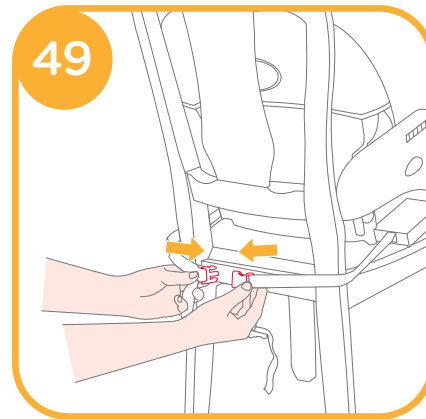
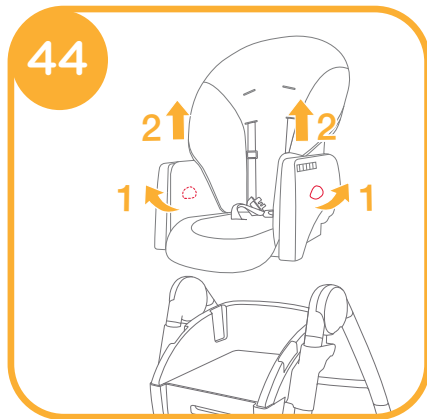
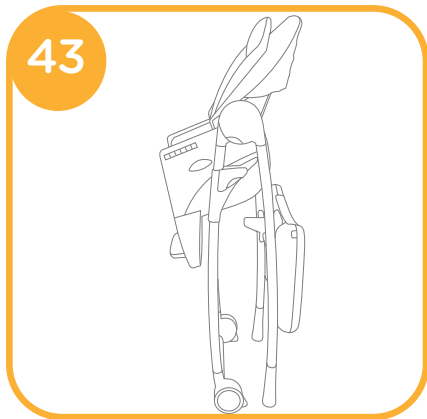
<b>參照圖示</b>	<b>1-20</b>
<b>中文</b>	
警告	21
緊急情況處理	22
產品資訊	23
產品組件及各部件名稱	24
安裝模式選擇	25
高腳椅組裝	26
組裝座椅	26
組裝餐盤	26
組裝腳踏板	26
高腳椅操作	26
使用餐盤	26
調整腳踏板	26
座椅高度調整	26
背靠角度調整	27
肩帶高度調整	27
安全扣使用	27
安全帶長度調整	28
折疊高腳椅	28
兒童增高座椅操作	28
兒童增高座椅操作	28
安全扣使用	28
兒童椅子操作	28
兒童座椅&桌子操作	28
使用配件	29
組裝小座墊	29
拆卸座墊	29
保養維護與保固	29

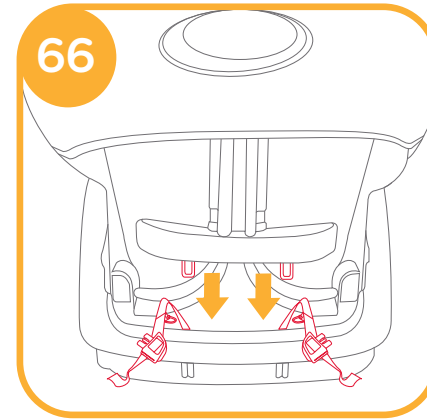
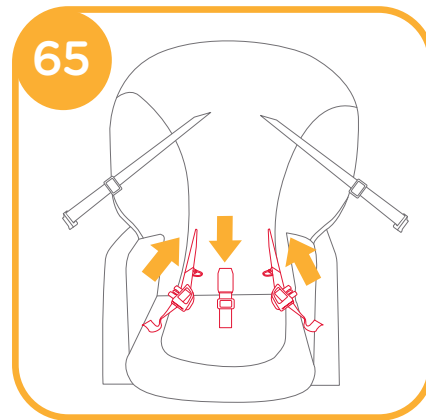
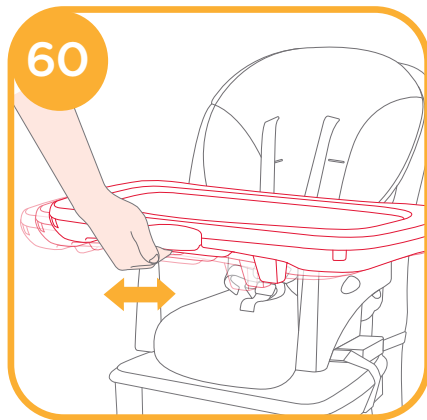
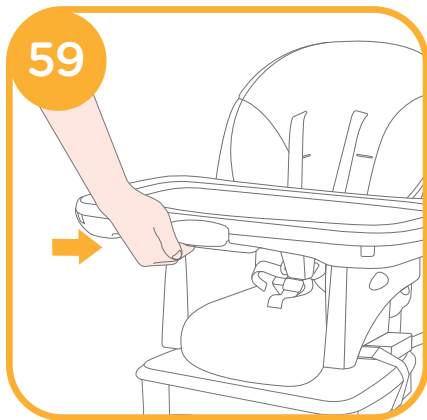
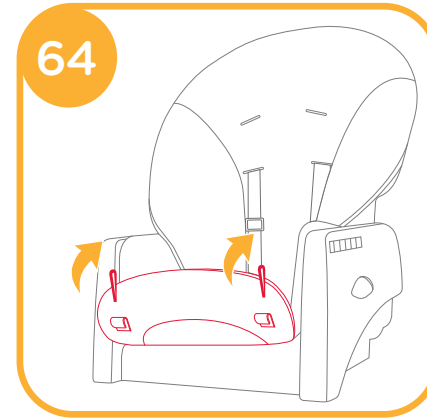
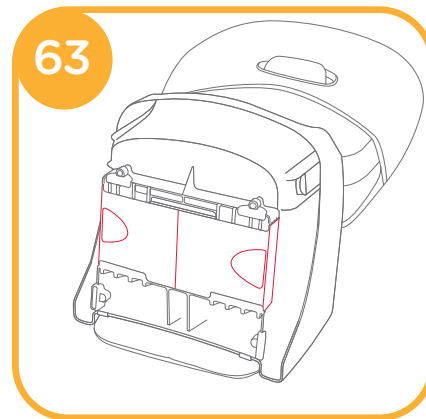
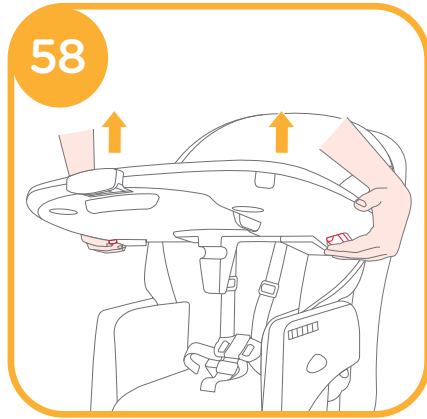
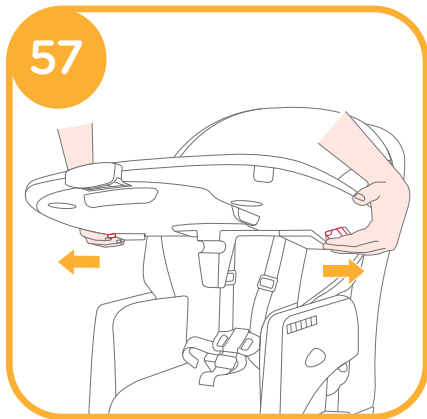
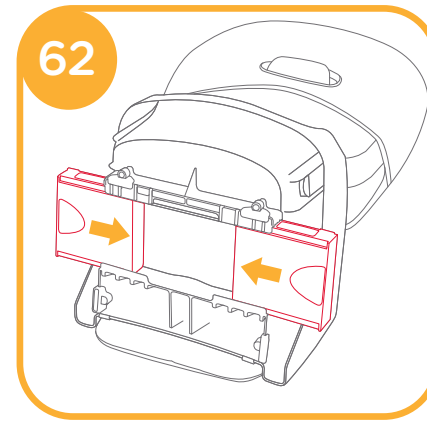
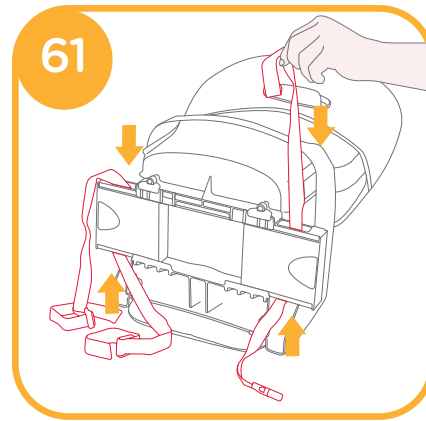
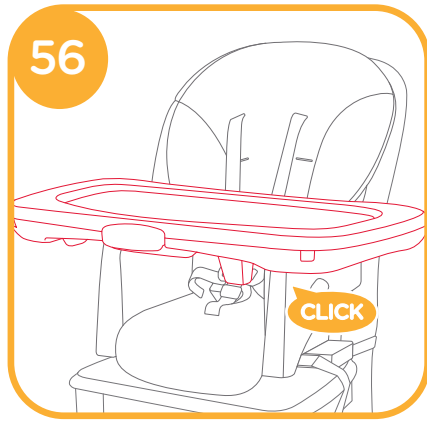
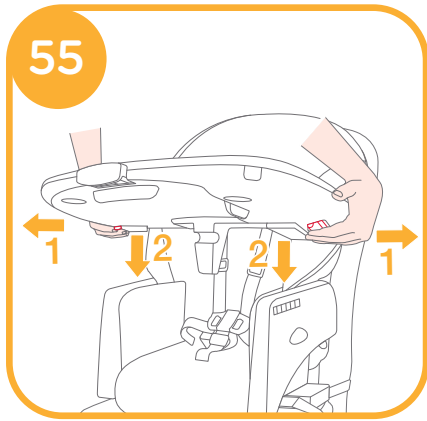




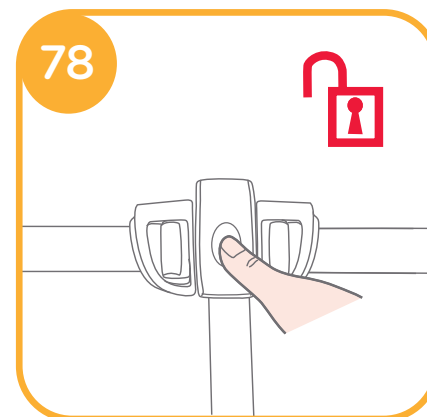
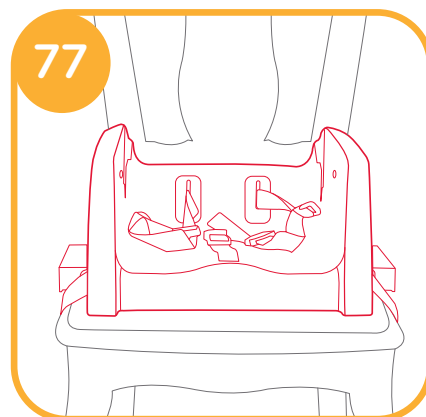
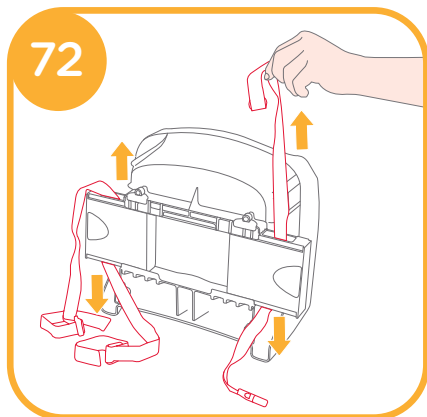
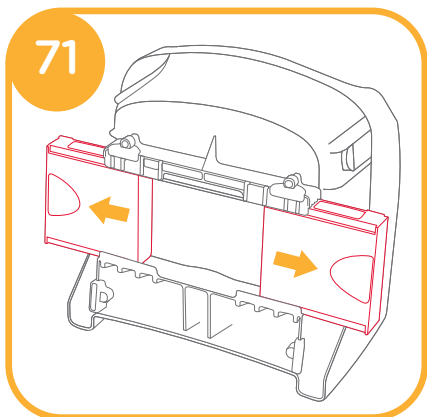
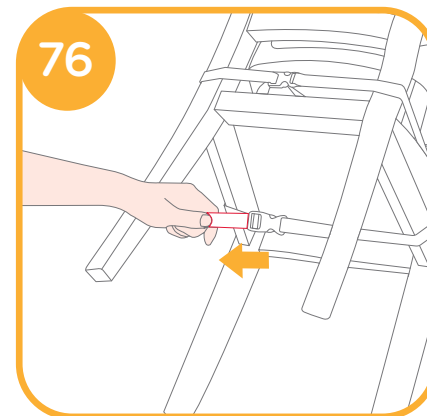
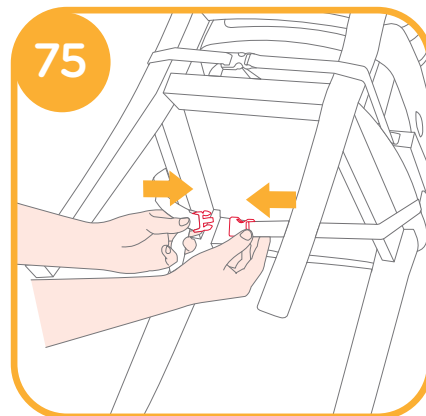
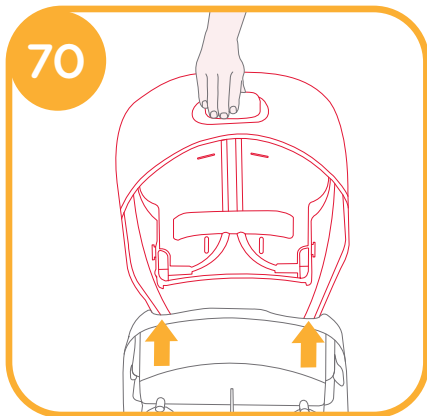
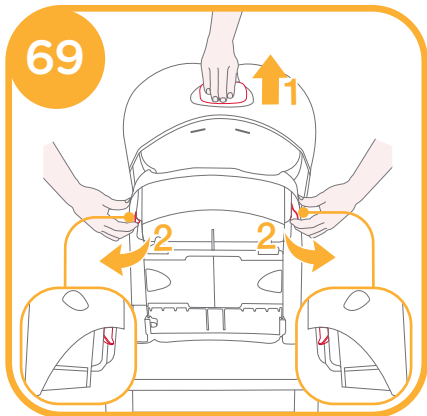
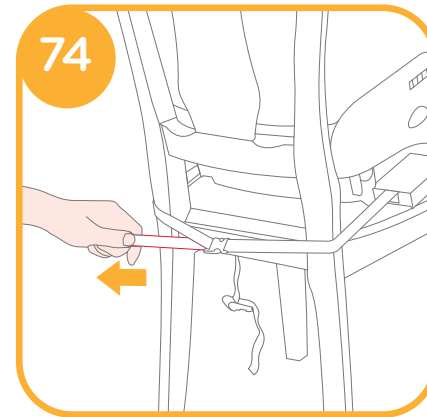
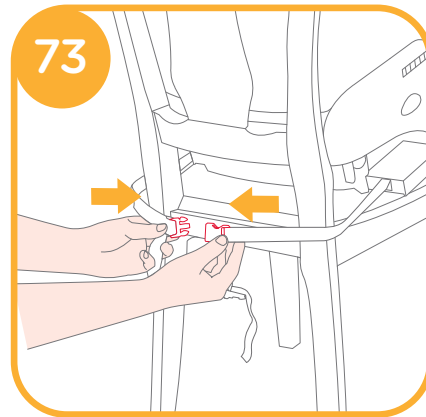
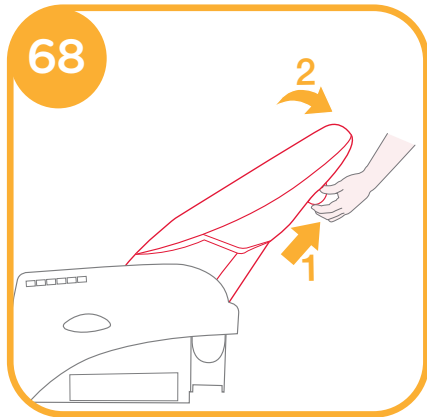
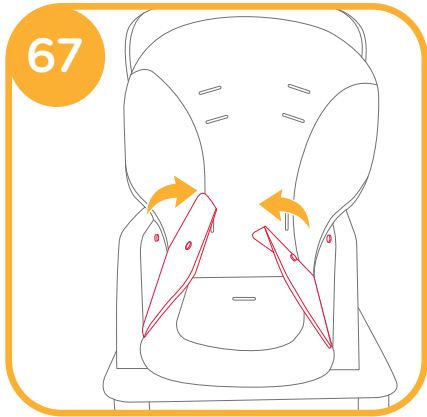


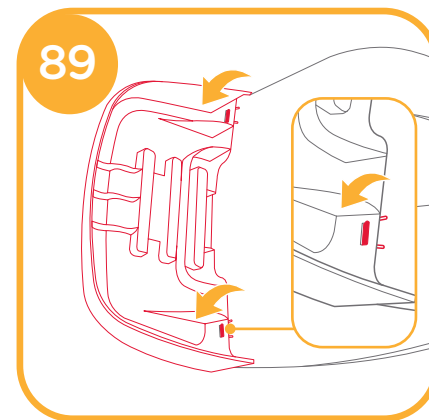
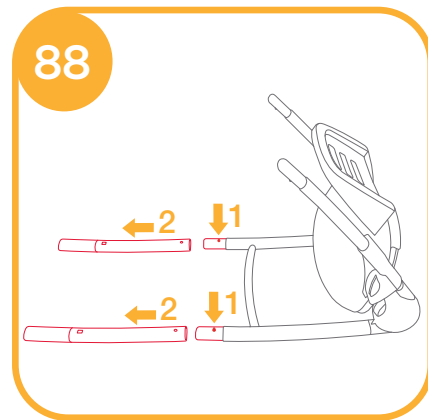
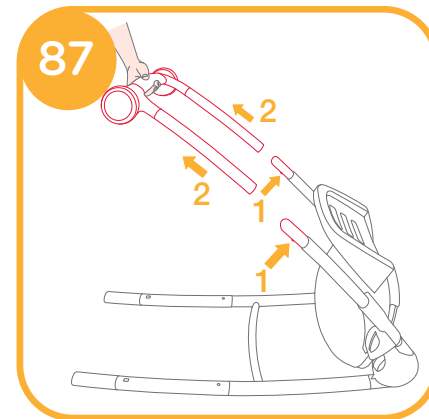
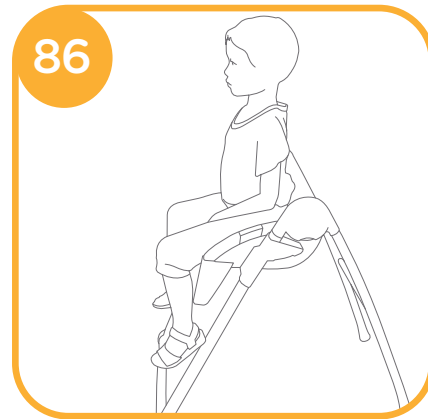
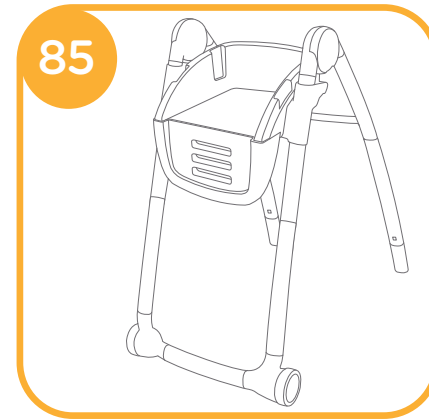
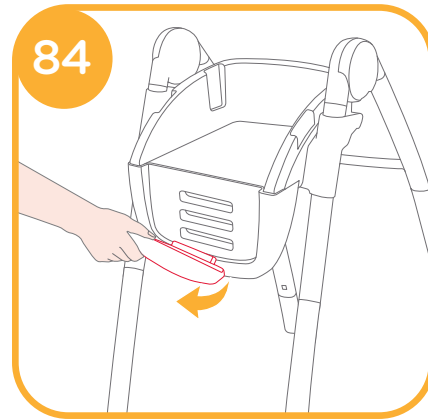
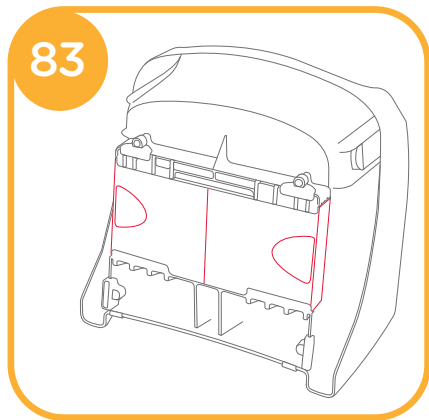
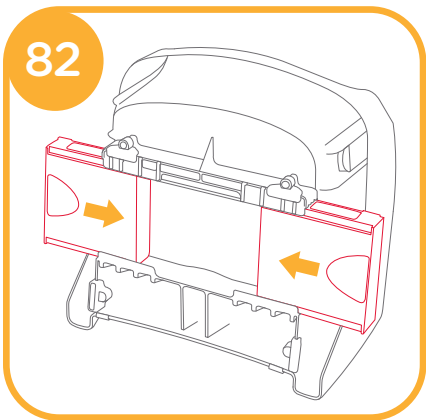
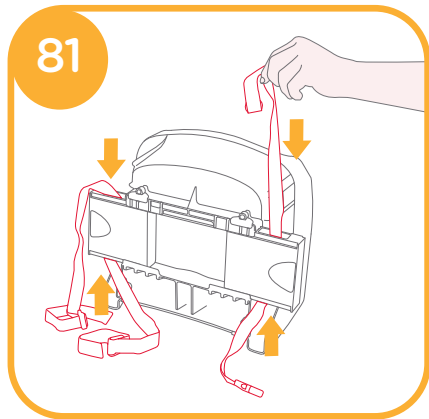
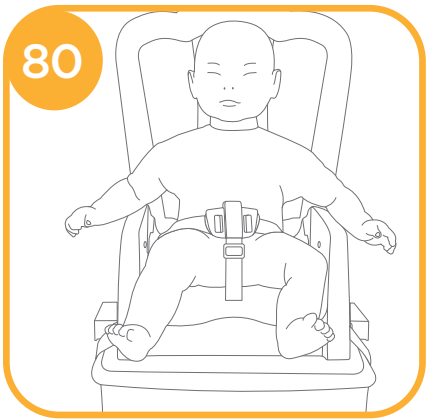
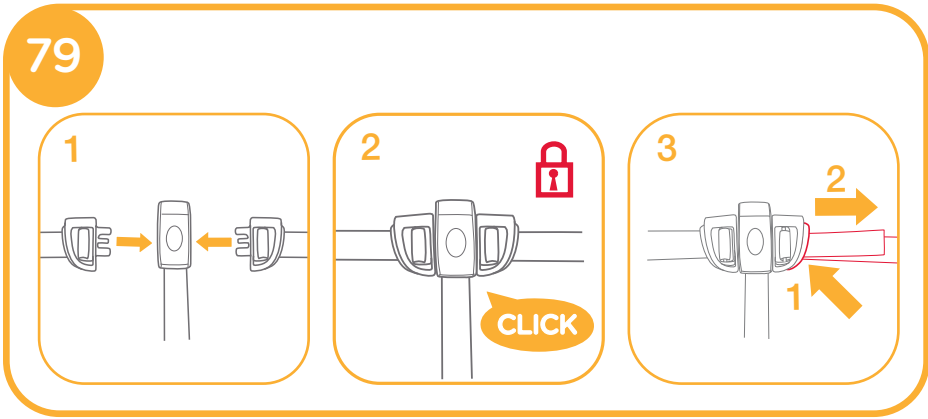


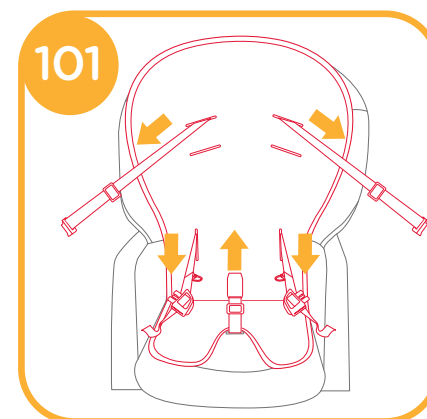
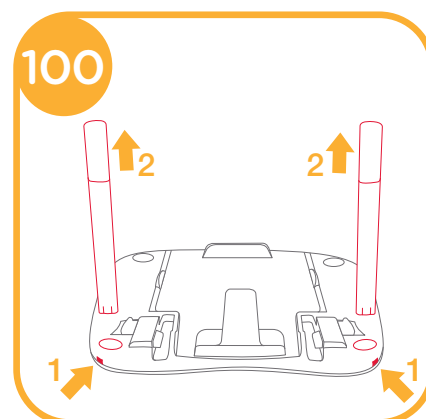
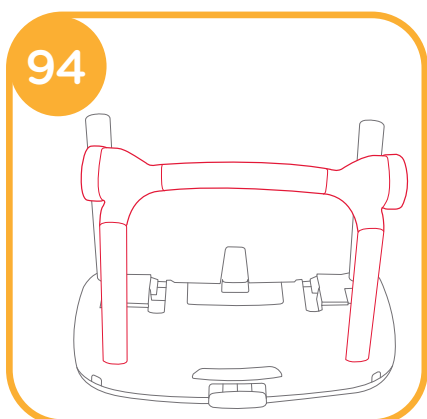
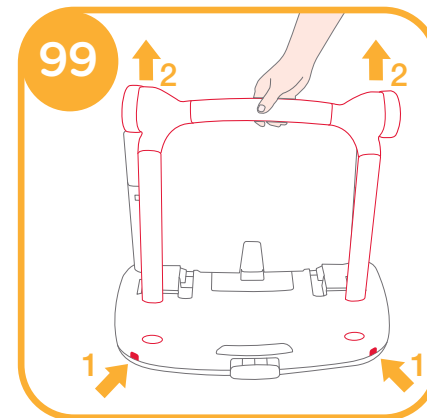
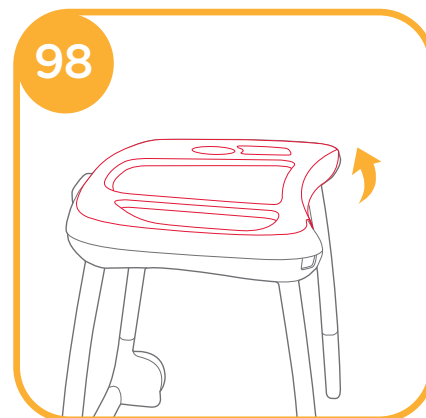
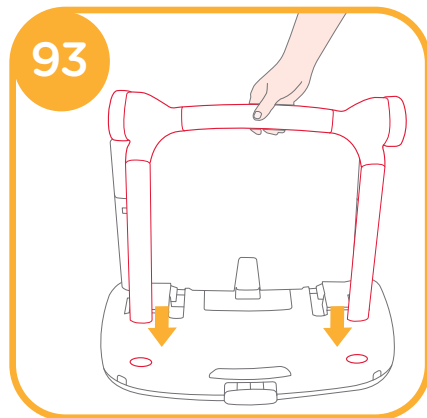
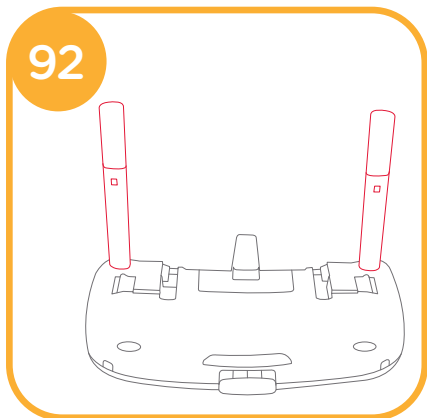
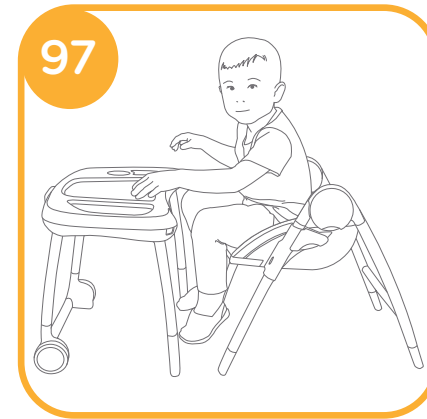
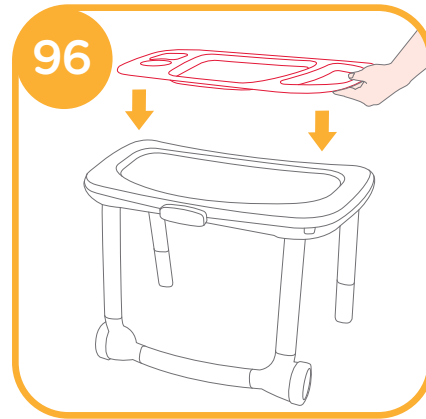
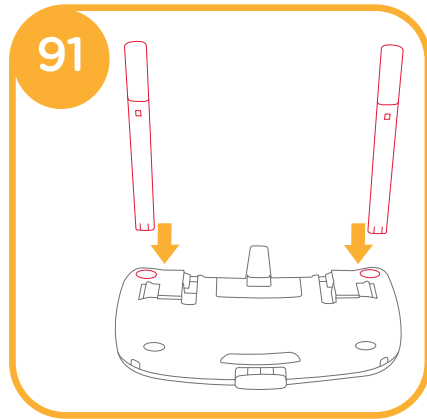
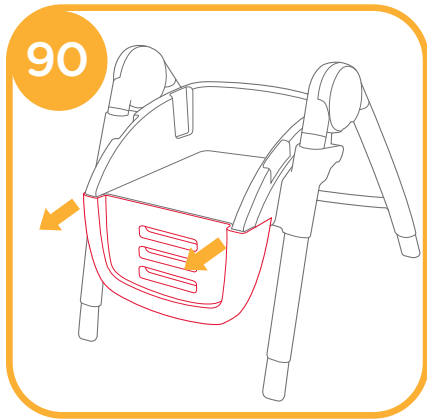


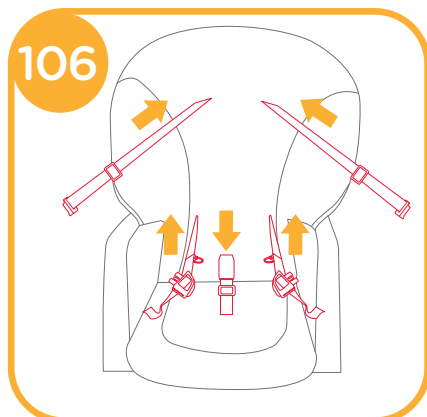
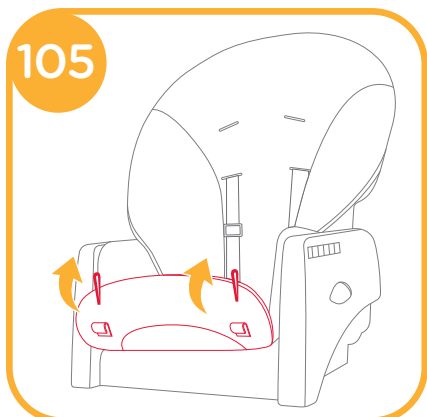
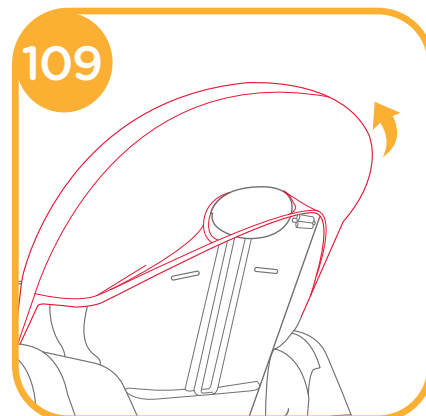
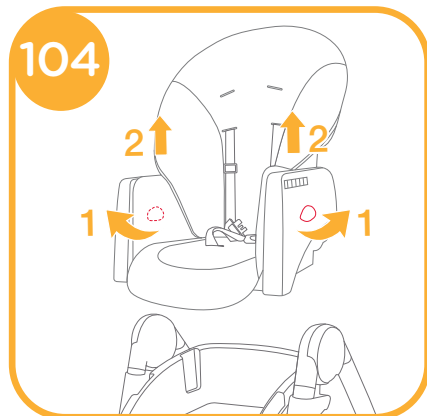
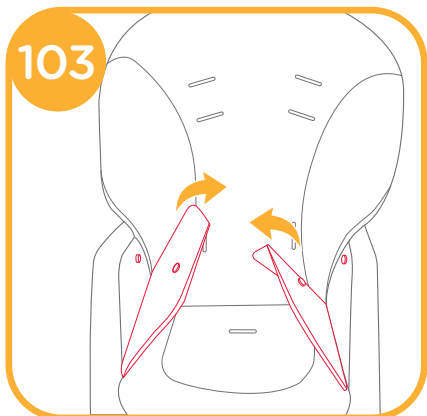
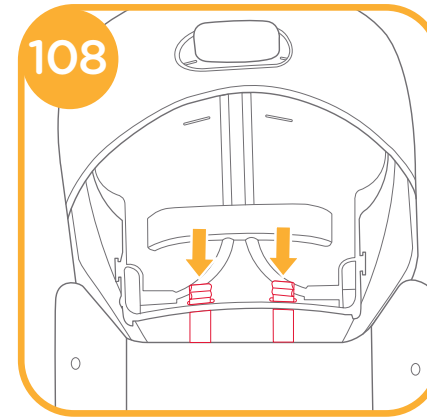
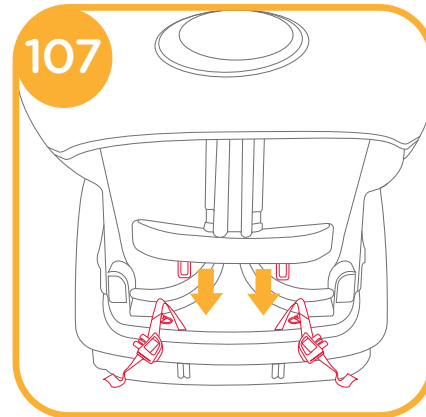
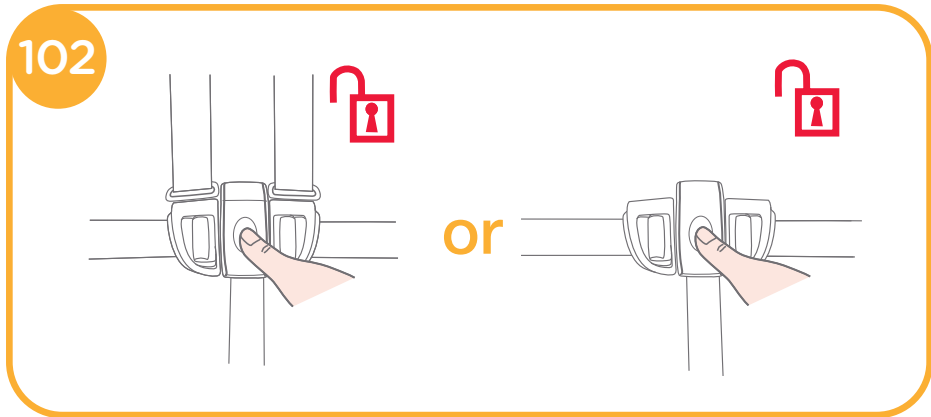












## 警告

- ! 本產品需由成人組裝。
- ! 切勿留置兒童無人照顧。
- ! 請勿單獨留置兒童於高腳椅，而無成人看顧。
- ! 請確認安全裝置已經安裝妥當。
- ! 兒童乘坐於高腳椅時，任何期間內安全帶必須正確調整而且繫好兒童。
- ! 請注意火源及其他熱源，例如高腳椅附近的電器、瓦斯等風險。
- ! 請勿在未閱讀或了解本產品說明書之前，使用或裝置本產品。
- ! 請保留說明書作日後使用。
- ! 本產品適用於體重9-27.3公斤(6-72個月)，可自行坐立的兒童使用。
- ! 沒有按照警告和安裝指示操作，可能會影響乘坐兒童的安全。
- ! 請勿擅自改造本產品，或使用其他廠商的零件來配合本產品使用。
- ! 不可使用非製造商批准的附件或替換零件。
- ! 本產品如有任何零件破損、開裂或丟失時，請停止使用。
- ! 嚴禁對您的兒童置之不理。
- ! 為避免兒童從座椅內摔落或滑下而造成傷害。用束縛系統時，使用前確認其正確安裝。
- ! 務必使用座椅固定系統且使用前確保正確安裝。
- ! 椅上架高座使用於成人椅之前，務必檢查安全性及穩定性。
- ! 椅上架高座不得使用於椅凳或板凳上。
- ! 務必使用束縛系統並確保正確安裝。
- ! 兒童坐在高腳椅內時，必須使用安全帶，無論是坐着還是躺着。餐盤沒有保護兒童的作用。
- ! 只有在兒童能自己坐穩時才可使用高腳椅。
- ! 建議只有在兒童能自己坐穩時才使用直立背靠。
- ! 切勿讓兒童站立在高腳椅上。

- ! 當兒童在高腳椅內時，請勿提起高腳椅移動。
- ! 當有兒童乘坐時，不要讓其他兒童在高腳椅周圍玩耍。
- ! 不要讓其他兒童斜靠在高腳椅邊上，以免不穩定而傾倒。
- ! 請勿在餐盤上放置任何重的袋子，包裹或其他可能導致本產品翻覆的物品。
- ! 跌落危險：請勿讓兒童在高腳椅上攀爬。
- ! 確使裝有椅上架高座的成人椅放置於兒童無法以其雙腳推抵桌子或任何其它結構體之位置，因為可能造成支撐椅上架高座的成人椅翻倒。
- ! 請將餐椅放置於平坦地面。
- ! 為避免勒斃危險，請勿將本產品置於任何有繩索的地方，比如窗簾，電話線等物體附近。
- ! 使用本產品前，請確保本產品已完全打開且所有的鎖定機構均已鎖定。
- ! 所有零件正確安裝和調整前，請勿使用本產品。
- ! 請定期檢查所有鎖定和固定裝置，以確保安全。
- ! 使用本產品前，請取掉PE袋和包裝材料，並放到兒童觸摸不到的地方。
- ! 請定期檢查本產品是否有破損的組件，松動的連接，丟失的零件或尖銳的邊緣。
- ! 折疊或調整餐椅時，需將兒童抱開。
- ! 兒童接近餐椅前，請確認餐椅已完全打開或折疊。
- ! 有關零件更換或維修問題，請向銷售商諮詢。
- ! 請勿放置會燙傷兒童的熱食於餐盤上。
- ! 所有零件正確安裝和調整前，請勿使用本產品。

## 緊急情況處理

遇緊急事件或事故時，需迅速急救或送醫治療照顧您的兒童是非常重要的。

# 產品資訊

Allison Baby UK Ltd.

Venture Point, Towers Business Park,

Rugeley, Staffordshire, WS15 1UZ

www.joiebaby.com

**產品名稱** multiply 6in1 成長型兒童餐椅

**產品型號** H1605

**適用年齡** 9-27.3公斤(6-72個月), 可自行坐立的兒童使用

**淨重** 12.2公斤

**產品尺寸** 825mmx648mmx1073mm

**製造日期** 詳見產品上貼紙日期(年/月/日)

**主要材質** 塑膠、五金、布

**專利號碼** 專利申請中

**原產地** 中國

**委製商** 巧兒宜國際股份有限公司

**進口商** 巧兒宜國際股份有限公司

**地址** 台北市內湖區瑞光路431號2樓

**電話** 02-27973000

**統一編號** 52603333

**代理商** 奇哥股份有限公司 Chickabiddy Co., Ltd

**地址** 台北市南京東路四段186號5樓

**服務專線** 0800-001-256 / 02-25781188

**統一編號** 04222671

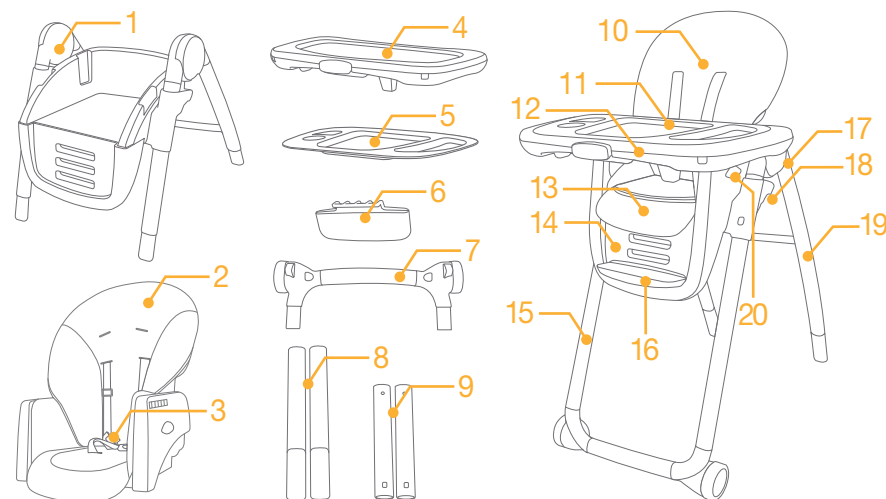
**網址** www.chick.com.tw

使用本產品前請先閱讀說明書全文, 如果您對於使用本產品還有任何疑問, 請撥打服務熱線 0800-001-256 / 02-25781188

## 產品組件及各部件名稱

組裝前請確認所有部件已經齊全, 如有遺漏, 請與銷售商聯繫。本產品無需工具進行組裝。

- |          |        |           |
|----------|--------|-----------|
| 1 座椅架    | 8 後腳管  | 16 腳踏板    |
| 2 座椅     | 9 支撐管  | 17 收合按鈕   |
| 3 五方向安全扣 | 10 背靠  | 18 高度調整按鈕 |
| 4 餐盤     | 11 餐盤蓋 | 19 後腳管    |
| 5 餐盤蓋    | 12 餐盤  | 20 座椅調整按鈕 |
| 6 腳踏板    | 13 座墊  |           |
| 7 支撐腳    | 14 小腿靠 |           |
| (輪子)     | 15 前腳管 |           |



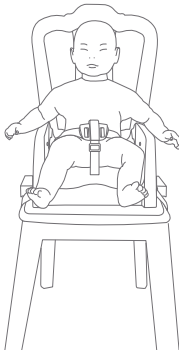
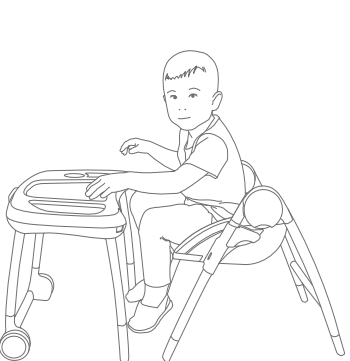



## 配件 (可能不包含)

小座墊



## 安裝模式選擇

兒童體重	安裝模式
15公斤以下 (6 - 36個月)	 高腳椅
自行坐立(最小6個月) 及36個月以下或體重 15kg以下兒童	 兒童增高座椅
	 兒童增高座椅
27.3公斤以下 (3 - 6歲) 36個月以下兒童 請勿使用	 兒童座椅&桌子
	 兒童椅子

## 高腳椅組裝

組裝和使用本產品前，請先閱讀說明書全文。

### 組裝座椅

見圖1 - 圖20

按壓收合按鈕，打開支撐腳(圖3)

將座椅安裝到座椅架上(圖19)，聽到“咔嚓”聲表明座椅安裝到位(圖20)

！座椅卡合時，需注意後方織帶不要被夾住，否則無法卡合到位(圖19)

！請試將座椅提起，以確認座椅已安裝牢固。

### 組裝餐盤

見圖21 - 圖23

### 組裝腳踏板

見圖24

高腳椅組裝完成如圖25所示。

## 高腳椅操作

### 使用餐盤

見圖26 - 圖30

餐盤有4個段位可供調整，可依需要調整餐盤與兒童的距離。

### 調整腳踏板

見圖31

腳踏板有3個段位可供調整。

### 座椅高度調整

見圖32

座椅有5個使用段位，可依餐桌高度調整，方便兒童與家人一同用餐。

## 背靠角度調整

見圖33

背靠有3個段位可供調整。

## 肩帶高度調整

見圖34 - 圖38

### 提示

1. 肩帶孔須與兒童肩膀高度相同，或略高於兒童肩膀。
2. 兒童坐進座椅後，請確認肩帶孔高度是否合適，以免兒童於使用時意外跌出。

35 - 1 肩帶固定栓A

35 - 2 肩帶固定栓B

35 - 3 調整扣

較大的兒童使用時，請使用肩帶固定栓A和最上方的肩帶孔；

較小的兒童使用時，請使用肩帶固定栓B和最下方的肩帶孔。

選擇一對高度合適的肩帶孔，將肩帶依次穿入座墊孔和背靠孔中(圖36)(圖37)(圖38)

！ 轉換肩帶孔時，請確認肩帶同時穿入座墊和背靠中。

## 安全扣使用

見圖39

### 提示

1. 為防止兒童摔跤，兒童乘坐時必須繫上安全帶。
2. 請牢牢地繫上安全帶，並注意兒童與安全帶之間須可以放進一個手掌的厚度。
3. 請勿交叉肩帶，以免對兒童頸部造成壓迫。

### 扣合安全扣

將肩帶扣依次插入腰帶扣(圖39.1)和母扣內(圖39.2)，聽到“咔嚓”聲表示扣合到位(圖39.3)

### 松開安全扣

按下母扣中央的按鈕，松開安全扣。

## 安全帶長度調整

見圖40

1. 將日字扣上下滑動，可調節肩帶長度(圖40.1)
2. 按壓按鈕(圖40.2)，同時往外拉安全扣內側或外側的腰帶，可調節腰帶長度(圖40.3)

## 折疊高腳椅

見圖41 - 圖43

## 兒童增高座椅操作

見圖44 - 圖63

！ 兒童增高座椅與成人椅組裝使用時，兒童增高座椅背靠不可平躺(圖47)

請參考表格數據使用本產品，避免本產品掉落使兒童受傷

成人椅最小尺寸為38厘米(寬度)×44厘米(長度)

成人椅背靠高度最小尺寸為13厘米

## 兒童增高座椅操作

見圖64 - 圖83

！ 拆除背靠前，請將背靠調整至最斜躺檔位(圖68)

請參考表格數據使用本產品，避免本產品掉落使兒童受傷

成人椅最小尺寸為38厘米(寬度)×44厘米(長度)

成人椅背靠高度最小尺寸為13厘米

## 安全扣使用

見圖79 - 圖80

## 兒童椅子操作

見圖84 - 圖86

！ 使用兒童椅子模式時，請將腳踏板拆除，方便使用(圖84)

## 兒童座椅&桌子操作

見圖87 - 圖100



## Note

### 使用配件

因產品型號的不同，規格會有所不同。並非所有高腳椅均附以下配件。

### 組裝小座墊

見圖101

如需要使用小座墊，安裝方式如圖101所示。

### 拆卸座墊

見圖102 - 圖110

反向操作即可組裝座布。

### 保養維護與保固

- ! 可洗餐盤蓋可用洗碗機清洗。
- ! 座墊可以用海綿和肥皂水擦洗，不可使用漂白劑。
- ! 將洗好的座墊晾乾，不可烘乾。
- ! 去除座椅架組上的灰塵和污漬時，可先用濕布擦洗，然後用乾布擦淨濕布留下的痕跡。
- ! 請勿使用未經稀釋的中性清潔劑、汽油或其他有機溶劑清洗本產品，否則可能對本產品造成損壞。
- ! 請定期檢查您的產品是否有破損的組件、撕裂的材料或車縫線，如有必要請隨時進行更換或修理。
- ! 請在室內使用當長時間不使用本產品時，請將產品存放於陰涼處及兒童不易接觸的地方。



#### 延長保固服務

請於購買起一個月內至奇哥官網進行登錄，登錄成功後即享有商品延長一年保固服務。

Joie™

Child weighing under 27.3kg / 6 - 72 months

# multiply™ 6in1

highchair

## Instruction Manual

This highchair is approved to CNS 15017:2013 and CNS 16007:2017 and CNS 16045:2018 and European safety standards EN 14988:2017+A1:2020 and EN 16120:2012+A2:2016

Please read all the instructions in this manual before installing and using the product



**IMPORTANT! READ CAREFULLY AND  
KEEP FOR FUTURE REFERENCE**

# Thank you for purchasing a Joie Highchair

Congratulations on becoming part of the Joie family! We are so excited to be part of your life with your little one. While using with the Joie Multiply™, you are using a high quality, fully certified high chair, approved to European safety standards EN 14988:2017+A1:2020 and EN 16120:2012+A2:2016 and NF-D60-300-1/-2/-3:2008. This product is suitable for use with children between 6-72 months. Please carefully read this manual and follow each step to ensure a pleasant experience and best protection for your child.

Carefully read this instruction manual and follow the installation steps as this is the ONLY way to protect your child from serious injury or death in the case of an accident, and to provide comfort to your child while using this product.

The figures in this manual are to illustrate the methods of operation and main features of product. This model may have differences between features shown. The figures are only for reference.

Visit us at [joiebaby.com](http://joiebaby.com) to download manuals and see more exciting Joie products!

For warranty information, please visit our website at [joiebaby.com](http://joiebaby.com)

## Highchair Features

Removable tray for use at adult table  
3-position reclining seat for smaller children and after-meal naps  
Ultra-slim fold for easy storage in small spaces  
Removable, easy-to-clean seat pad  
5-point harness for additional child security

## Contents

<b>Reference Figures</b>	<b>1 - 20</b>
<b>English</b>	
WARNING	35
Emergency	37
Product Information	38
Parts List	39
Choose the Installation Mode	40
Highchair Assembly	41
Assemble Seat	41
Assemble Tray	41
Assemble Footrest	41
Highchair Operation	41
Use Tray	41
Adjust Footrest	41
Adjust Height for Seat	41
Adjust Recline	42
Adjust Height for Shoulder Harnesses	42
Use Buckle	42
Adjust Length for Harnesses	43
Fold Highchair	43
Infant Booster Operation	43
Toddler Booster Operation	43
Use Buckle	44
Toddler Chair Operation	44
Toddler Sized Chair & Table Operation	44
Accessories	44
Infant Insert Assembly	44
Detach Seat Pad	44
Care and Maintenance	44

# WARNING

- ! Adult assembly required.
- ! Please read all the instructions in this manual before assembling and using this product.
- ! Please keep instruction manual for future reference.
- ! This product is suitable for children between 6-72 months of age (under 27.3kg).
- ! Failure to follow these warnings and the assembly instructions could result in serious injury or death.
- ! DO NOT make any modification to this product or use it along with component parts from other manufacturers.
- ! Not to use accessories or replacement parts other than those approved by the manufacturer.
- ! DO NOT use the product if any parts are broken, torn or missing.
- ! Never leave the child unattended.
- ! DO NOT leave the child unattended. Always keep your child in view.
- ! To prevent serious injury or death from falling or sliding out, always use the restraint system and ensure it is correctly fitted.
- ! Always use the chair attachment system and ensure it is correctly fitted before use.
- ! Always check the security and the stability of the product on the adult chair before use.
- ! Do NOT use this product on stools or benches.
- ! Make sure that any harness is correctly fitted.
- ! Secure your child at all times using the restraint harness provided in both the reclining or upright positions. The tray is not designed to hold your child in the product.
- ! DO NOT use the highchair until the child can sit up unaided.
- ! It is recommended that the product be used in the upright position only by children capable of sitting upright unaided.
- ! DO NOT allow your child to stand in or on the highchair.
- ! DO NOT lift and carry highchair while occupied.
- ! DO NOT allow children to play with or around highchair while occupied.
- ! DO NOT allow children to lean over sides of highchair. It may become unbalanced and tip over.
- ! DO NOT place any heavy bags, packages, or other items on the highchair tray. They may cause the chair to tip over.
- ! Falling hazard: Prevent your child from climbing on the highchair.
- ! To ensure that the adult chair with the chair mounted seat is placed in a position where the child is not able to use its feet to push against the table or any other structure as this can cause the tip over of the adult chair supporting the chair mounted seat.
- ! Always use on a flat and level floor.
- ! Be aware of the risk of open fire and other sources of strong heat in the vicinity of the product.
- ! To avoid strangulation hazard, DO NOT place product in any location where there are cords, such as window blind cords, drapes, phone cords, etc.
- ! All assembly fittings should be unfolded completely, tightened and latched properly before using the product.
- ! DO NOT use the product unless all components are correctly fitted and adjusted.
- ! Regularly check the locks and fittings for security.

- ! To avoid suffocation, remove plastic bag and packaging materials before using this product. The plastic bag and packaging materials should then be kept away from babies and children.
- ! Regularly inspect the product for damaged hardware, loose joints, missing parts or sharp edges.
- ! Remove your child from product before folding or adjusting the highchair.
- ! Make sure the product has been folded or unfolded completely before letting your child approach the highchair.
- ! Consult your local distributor for issues concerning maintenance, repair and part replacement.
- ! To avoid burns, DO NOT place hot food on tray.
- ! WARNING Never leave the child unattended.
- ! To prevent serious injury or death from falling or sliding out, always use the restraint system and ensure it is correctly fitted.
- ! Falling hazard: Prevent your child from climbing on the high chair.
- ! Keep children away when unfolding and folding the product to avoid injury.
- ! Be aware of the risk of tilting when your child can push its feet against a table or any other structure.
- ! Always use the restraint system.

## Emergency

In case of emergency or accident, it is most important to have your child taken care of with first aid and medical treatment immediately.

## Product Information

### Allison Baby UK Ltd.

Venture Point, Towers Business Park,  
Rugeley, Staffordshire, WS15 1UZ  
www.joiebaby.com

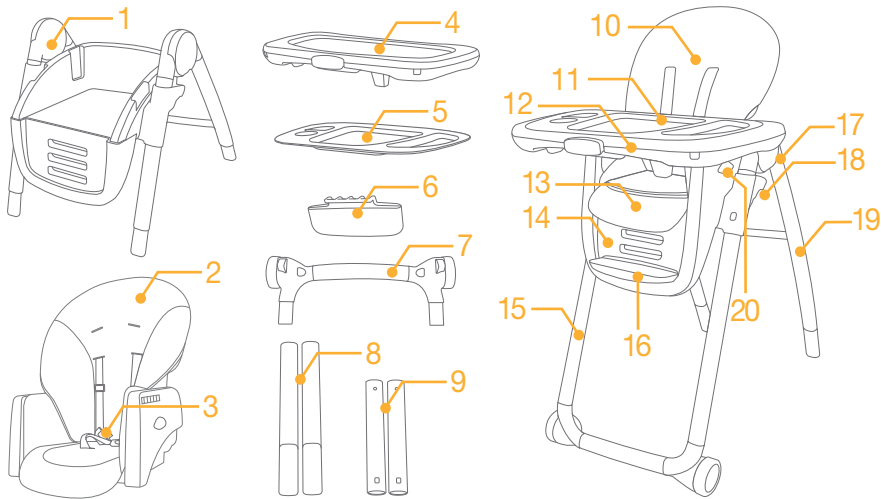
<b>Product</b>	multiply™ 6in1
<b>Model</b>	H1605
<b>Suitable for</b>	Child weighing under 27.3kg (6 - 72 months)
<b>Net Weight</b>	12.2kg
<b>Product Size</b>	825mmx648mmx1073mm
<b>Date</b>	Please see detailed date on label (year / month / day)
<b>Materials</b>	Plastics metal fabrics
<b>Patent No.</b>	Patents pending
<b>Made in</b>	China
<b>Distributor</b>	Chickabiddy Co., Ltd
<b>Address</b>	5 <sup>th</sup> FL, 186, Nanking E. Rd, Sec. 4, Taipei, Taiwan 10595
<b>Tel.</b>	0800-001-256 / 02-25781188
<b>Website</b>	www.chick.com.tw

Read all the instructions in this manual before using this product. If you have any further questions, please call 0800-001-256 / 02-25781188 directly.

## Parts List

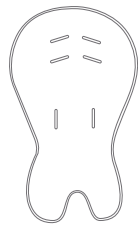
Make sure all parts are available before assembly. If any part is missing please contact your local distributor. No tools are required for assembly.

- |                       |                 |                             |
|-----------------------|-----------------|-----------------------------|
| 1 Frame               | 9 Support Tube  | 17 Fold Button              |
| 2 Seat                | 10 Backrest     | 18 Height Adjustment Button |
| 3 5-point Buckle      | 11 Tray Cover   | 19 Rear Leg                 |
| 4 Tray                | 12 Tray         | 20 Seat Adjustment Button   |
| 5 Tray Cover          | 13 Seat Pad     |                             |
| 6 Footrest            | 14 Calf Support |                             |
| 7 Support Leg (wheel) | 15 Front Leg    |                             |
| 8 Rear Leg            | 16 Footrest     |                             |



## Accessories (May not be included)

Infant Insert (on certain models)

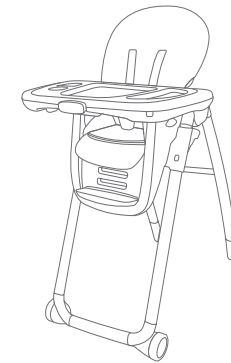


## Choose the Installation Mode

Child's Weight

Figure for Installation

Child weighing  
under 15kg  
(6 - 36 months)

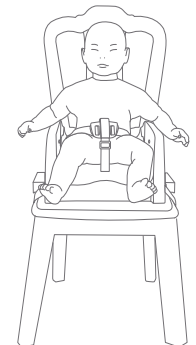


Highchair

This product is  
intended for  
children able to sit  
unaided (minimum  
6 months) and up  
to 36 months or a  
maximum weight  
of 15kg.



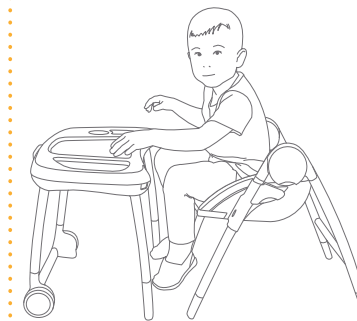
Infant Booster



Toddler Booster

Child weighing  
under 27.3kg  
(3 - 6 years)

The children below  
36 months do not  
use this product



Toddler Sized Chair & Table



Toddler Chair

## Highchair Assembly

Please read all the instructions in this manual before assembling and using this product.

### Assemble Seat

see images Fig. 1 - Fig. 20

Press the folding button to open support legs. (Fig. 3)

Fit the seat onto the frame (Fig. 19). An audible “click” means the seat is secured to the frame. (Fig. 20)

! Please do not make the webbing which is on the back of seat clamped while attaching the seat, otherwise the seat can not be attached completely. (Fig. 19)

! Lift the seat up to be sure it is locked into place.

### Assemble Tray

see images Fig. 21 - Fig. 23

### Assemble Footrest

see image Fig. 24

The completely assembled highchair is shown as Fig. 25.

## Highchair Operation

### Use Tray

see images Fig. 26 - Fig. 30

The tray can be adjusted to 4 positions.

### Adjust Footrest

see image Fig. 31

The footrest can be adjusted to 3 positions.

### Adjust Height for Seat

see image Fig. 32

The seat can be adjusted to 5 positions.

### Adjust Recline

see image Fig. 33

The recline can be adjusted to 3 positions.

### Adjust Height for Shoulder Harnesses

see images Fig. 34 - Fig. 38

#### Note

1. The shoulder harness must go into the slot that is even with or slightly above the shoulders.
2. In order to protect your child from falling out after your child is placed into the seat check whether the shoulder harnesses are at proper height.

- 35 - 1 Shoulder harness anchor A
- 35 - 2 Shoulder harness anchor B
- 35 - 3 Slide adjuster

For larger child, use shoulder harness anchor A and the highest shoulder slots.

For smaller child, use shoulder harness anchor B and the lowest shoulder slots.

Choose a pair of proper shoulder slots. Insert the shoulder harnesses into slots in seat pad and seat back.(Fig. 36)(Fig. 37)(Fig. 38)

! When changing shoulder harness slots, make sure shoulder harnesses are going through same slots in seat pad and seat back.

### Use Buckle

see image Fig. 39

#### Note

1. To prevent serious injury or death from falling or sliding out, always secure child in the restraint.
2. Make sure the restraint harness is fitted correctly and the space between the harness and the child does not exceed the thickness of an adult hand.
3. DO NOT cross the shoulder belts. This will cause pressure on child's neck.

## Lock Buckle

Match the waist belt buckle up with the shoulder buckle and slide together (Fig. 39.1). Insert buckles into the center buckle (Fig. 39.2). A “click” means the buckle is locked completely (Fig. 39.3).

## Release Buckle

Press the center button to release the buckles.

## Adjust Length for Harnesses

see image Fig. 40

1. Use slide adjuster to change the harness length. (Fig. 40.1)
2. Pull waist harness to tighten to proper length (Fig. 40.2). Press the button to loosen the waist harness. (Fig. 40.3)

## Fold Highchair

see images Fig. 41 - Fig. 43

## Infant Booster Operation

see images Fig. 44 - Fig. 63

! The backrest of infant booster can not be reclined when using infant booster with chair. (Fig. 47)

Please refer to the form data to use the product to avoid it falling and cause hurting child

Recommended adult chair seat dimensions to be minimum 38cm (width)X44cm (length).

Minimum height of the adult chair's backrest should be 13cm.

## Toddler Booster Operation

see images Fig. 64 - Fig. 83

! Please adjust the backrest to the most reclined position before removing it. (Fig. 68)

Please refer to the form data to use the product to avoid it falling and cause hurting child

Recommended adult chair seat dimensions to be minimum 38cm (width)X44cm (length).

Minimum height of the adult chair's backrest should be 13cm.

## Use Buckle

see images Fig. 78 - Fig. 80

## Toddler Chair Operation

see images Fig. 84 - Fig. 86

! When using the product in toddler chair mode, please remove the footrest for convenient use. (Fig. 84)

## Toddler Sized Chair & Table Operation

see images Fig. 87 - Fig. 100

## Accessories

Accessories may be sold separately or may not be available depending on region.

## Infant Insert Assembly

see image Fig. 101

If need to use small insert, please assemble it as (Fig. 101)

## Detach Seat Pad

see images Fig. 102 - Fig. 110

To assemble seat pad, reverse the steps above.

## Care and Maintenance

- ! The tray cover is dishwasher safe.
- ! Your seat pad can be spot cleaned with a sponge and soapy water. DO NOT use bleach.
- ! Drip dry the washed seat pad. DO NOT put in dryer.
- ! To clean the frame, wipe with a damp cloth and mild detergent then wipe out any traces of moisture on the frame with a dry cloth.
- ! DO NOT use undiluted neutral detergent, gasoline or other organic solvent to wash the product. It may cause damage to the product.
- ! From time to time, check your product for worn parts, torn material or stitching. Replace the parts as needed.
- ! If the product is not in use for a long period of time, please put it somewhere your child cannot access it.





Allison Baby UK Ltd.  
Venture Point, Towers Business Park  
Rugeley, Staffordshire, WS15 1UZ

bring the kids™

Share the joy at [joiebaby.com](http://joiebaby.com)

IM-000444D