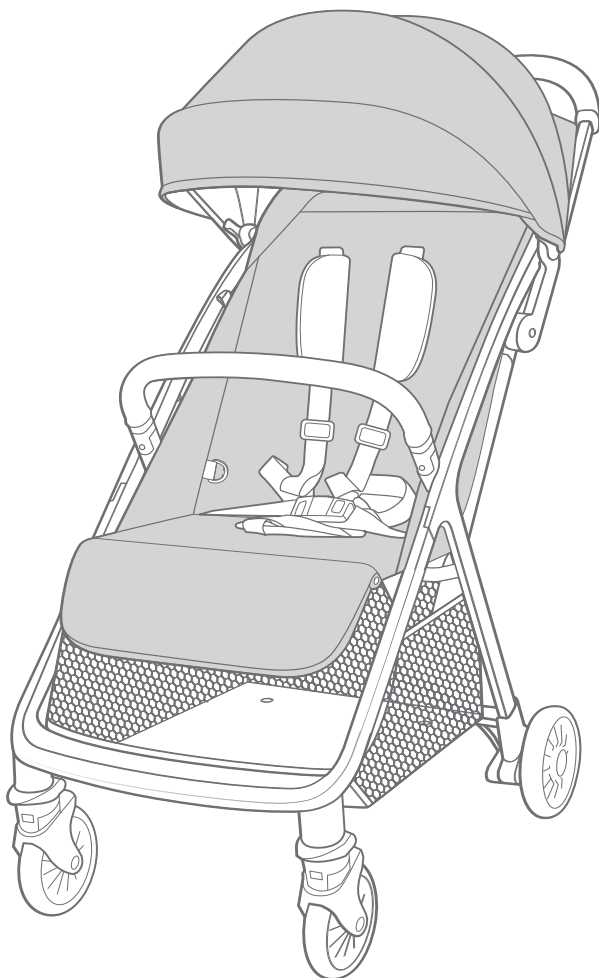


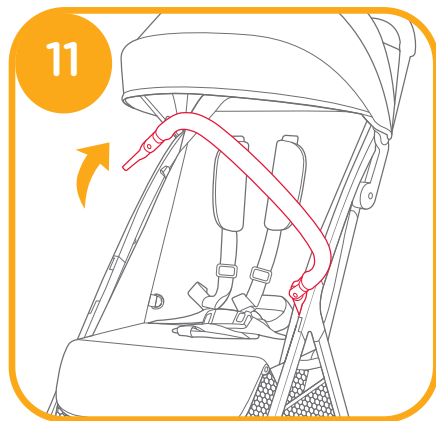
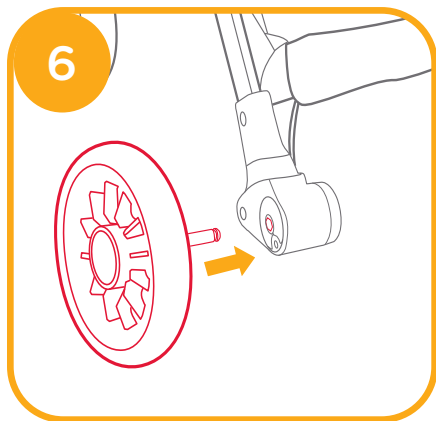
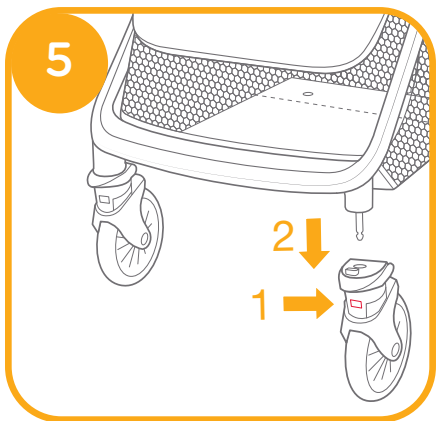
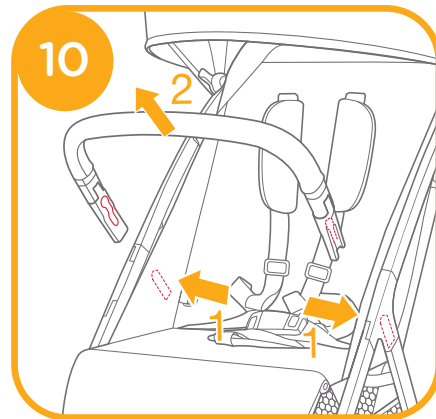
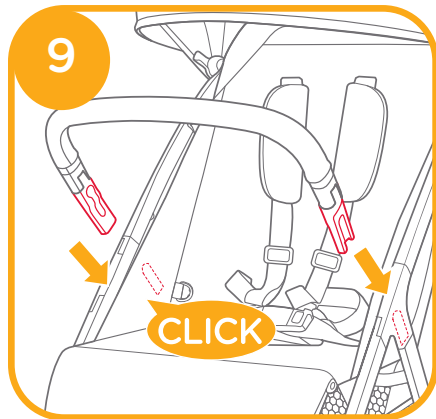
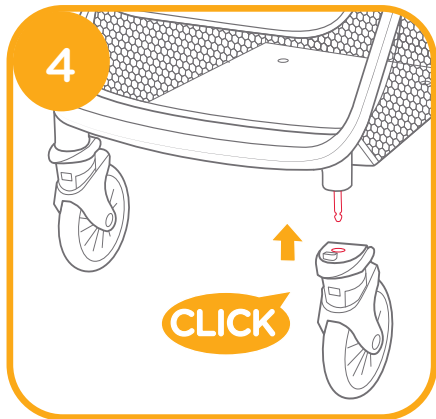
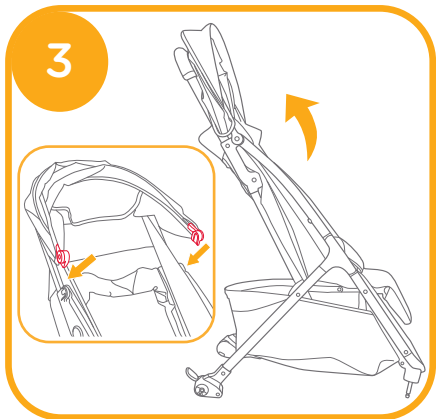
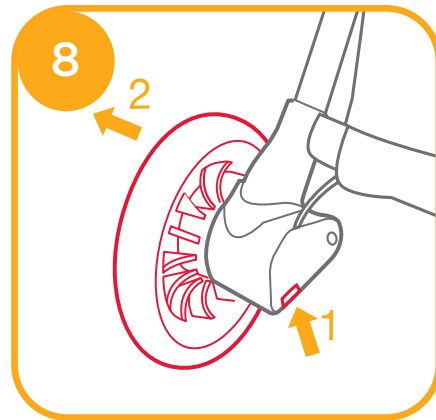
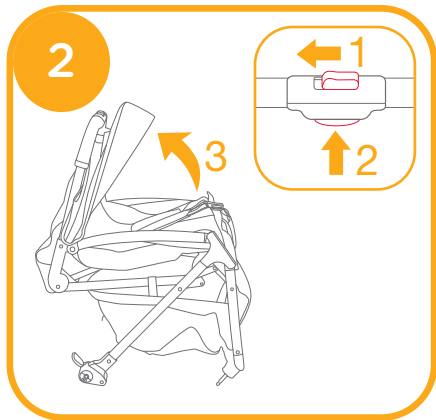
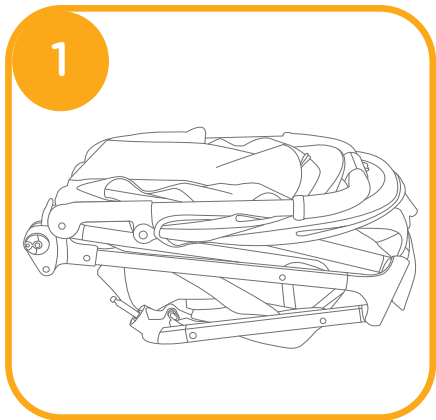
Joie™

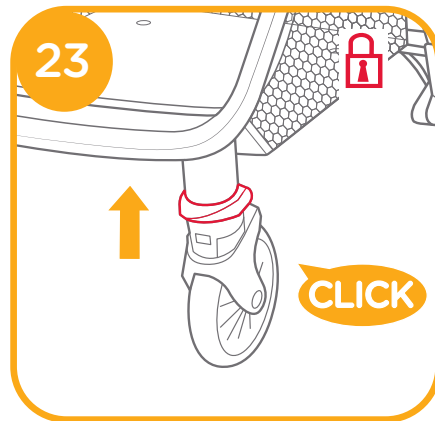
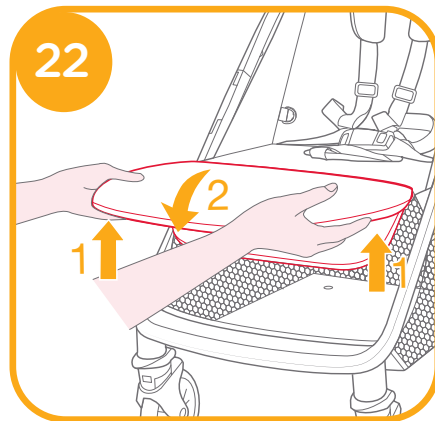
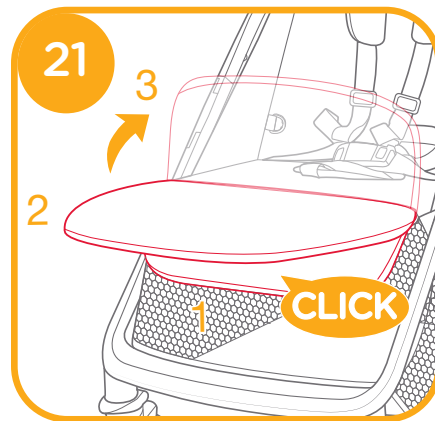
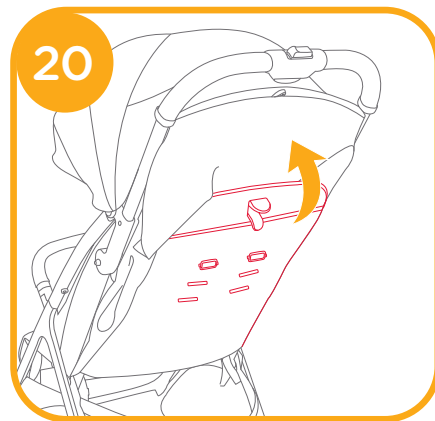
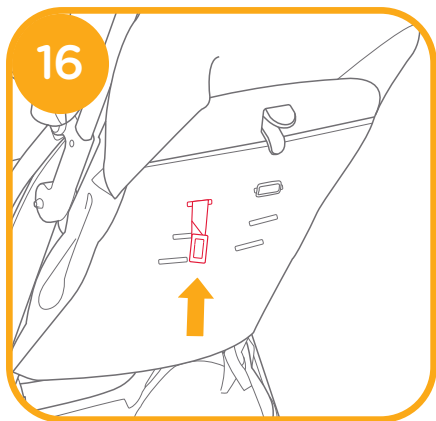
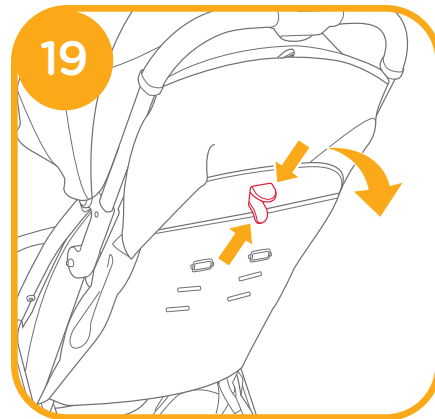
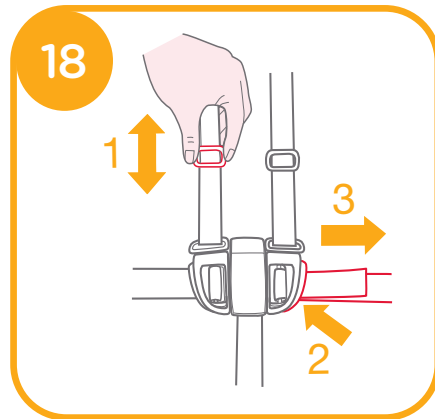
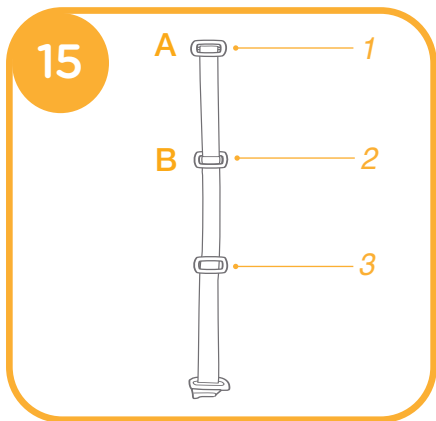
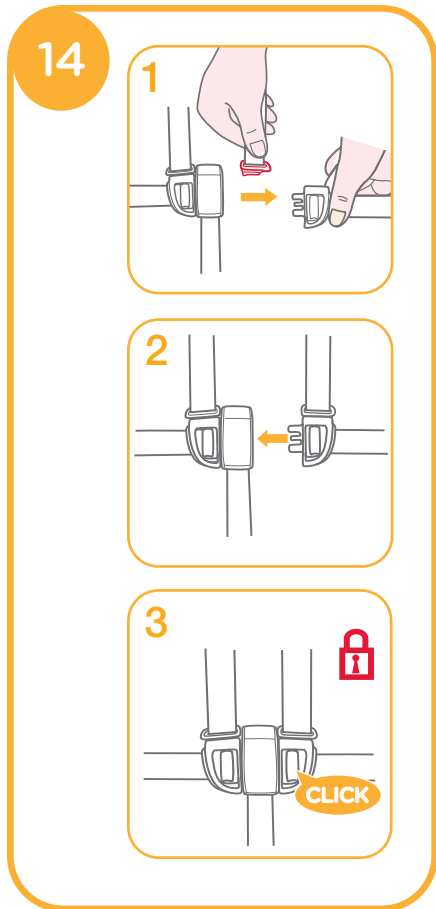
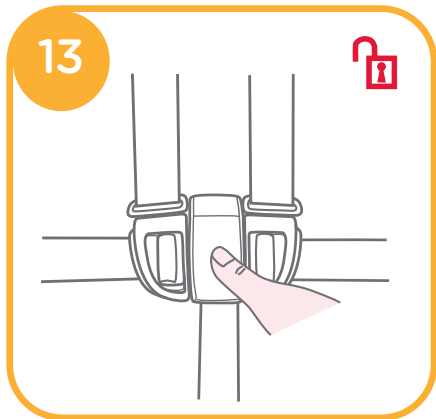
pact™ pro

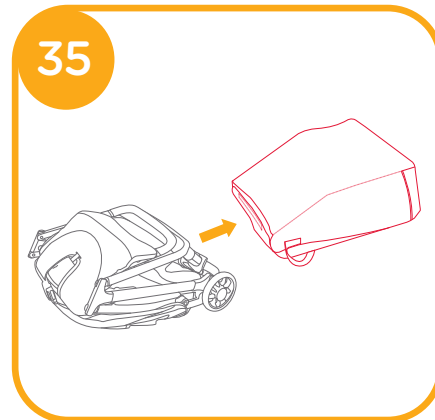
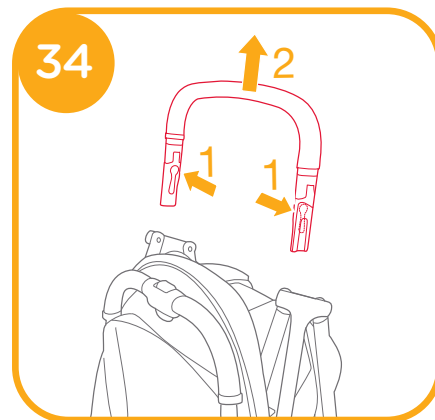
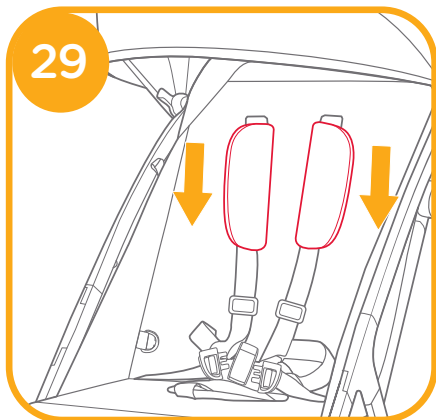
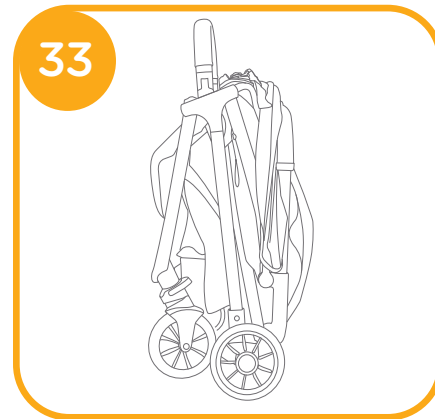
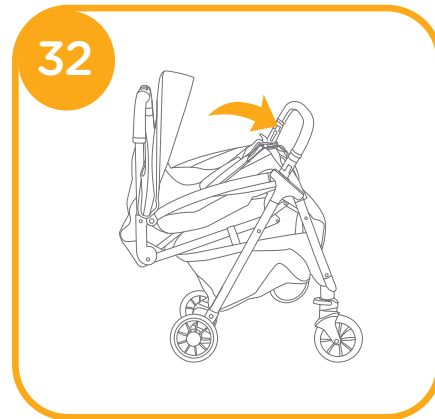
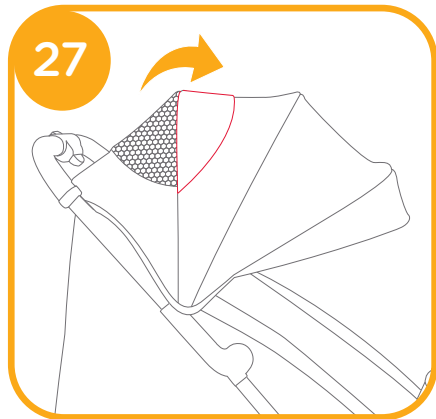
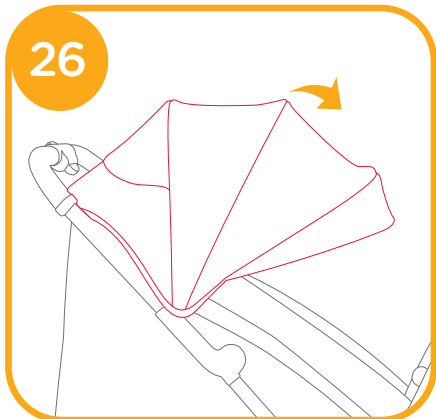
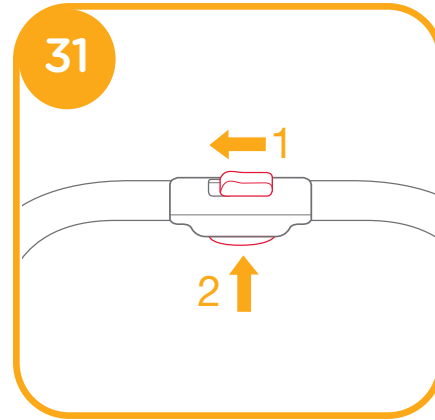
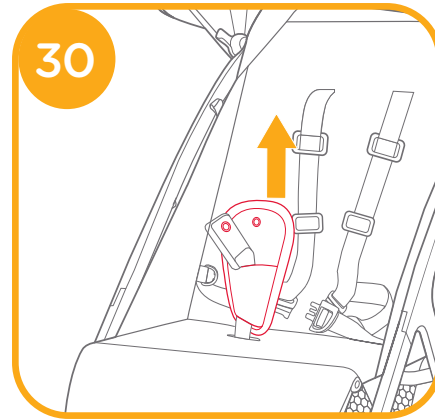
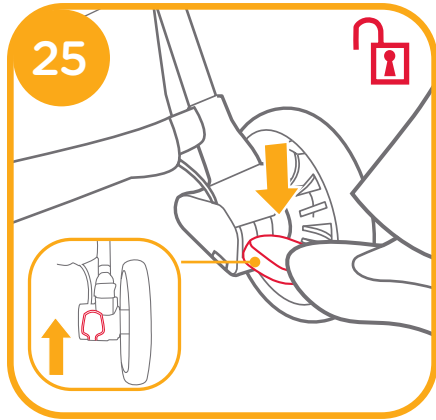
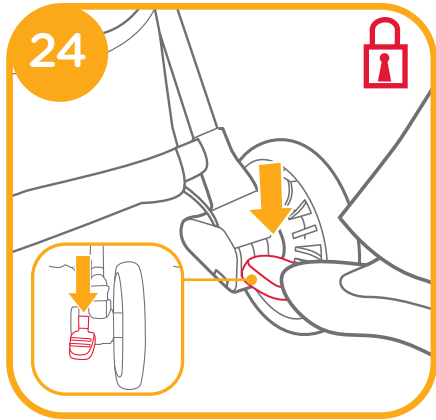
## 使用說明書

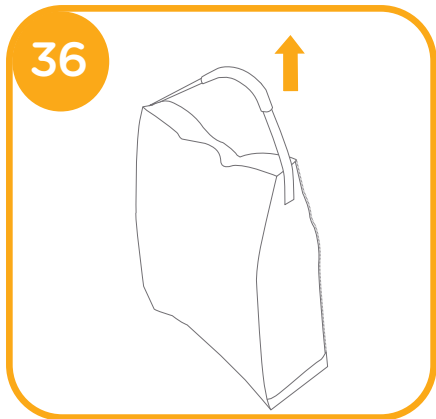
組裝及使用本產品前  
請先閱讀說明書全文





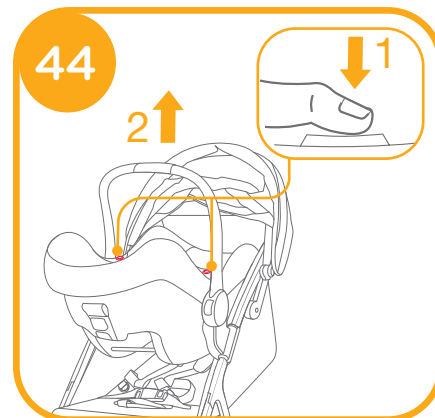
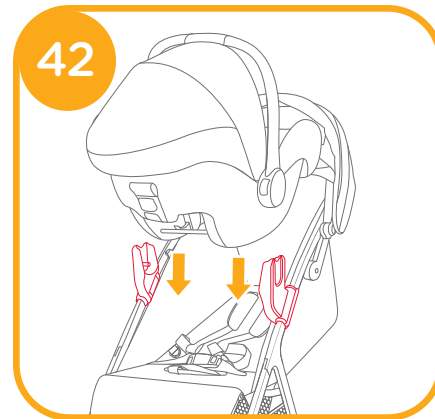
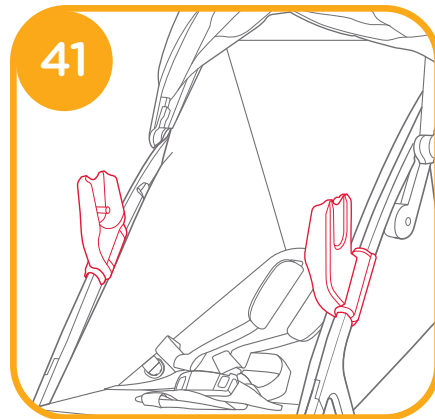
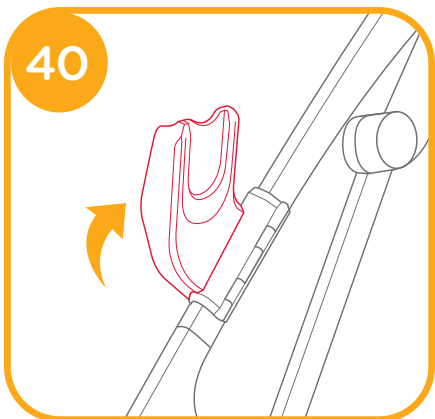
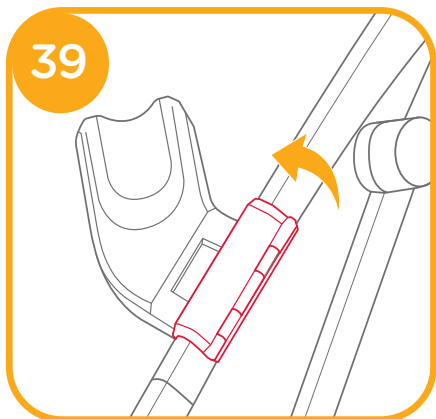
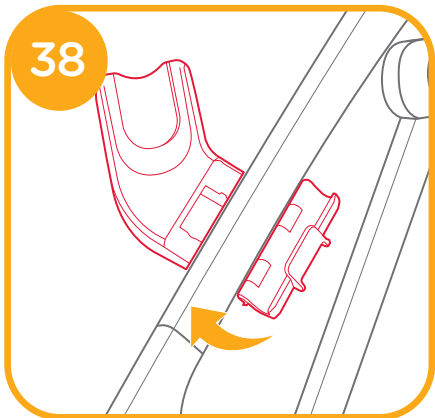
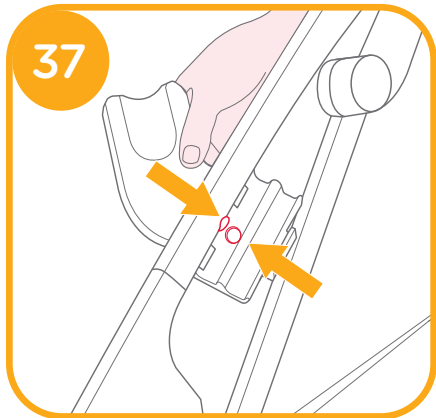






### Accessories (May not be included in purchase)

Accessories may be sold separately or may not be available depending on region.



# Detach & Assemble Soft Goods

FIGURE 47 ~ 51

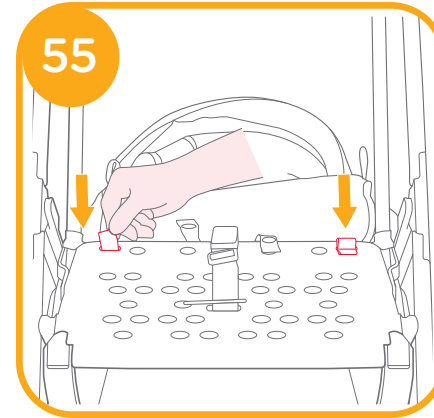
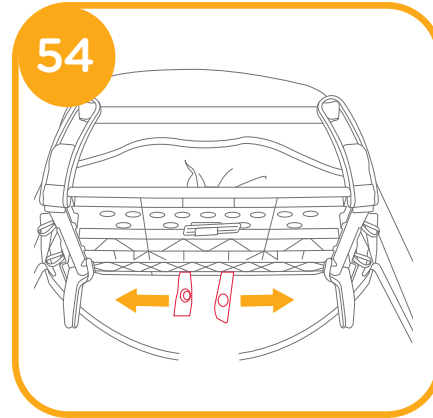
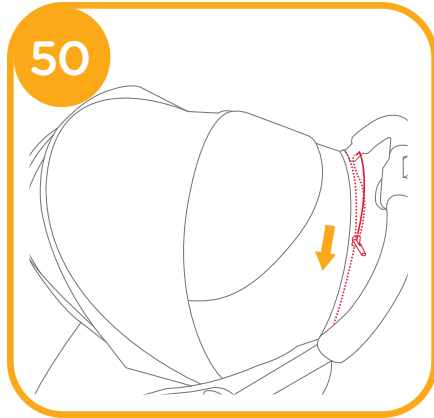
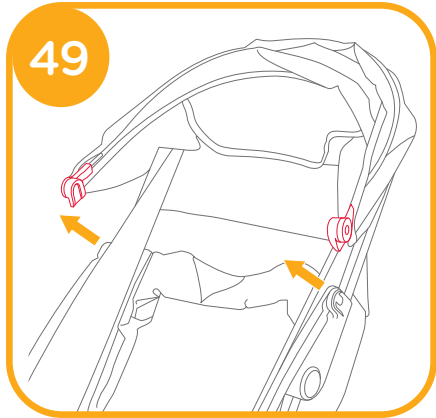
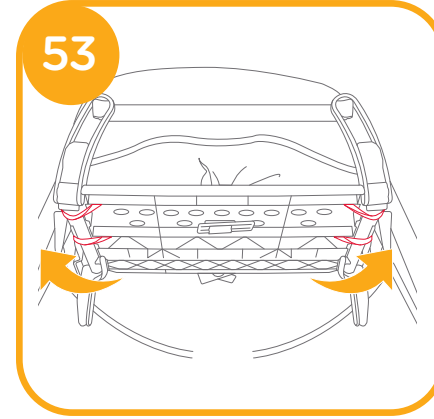
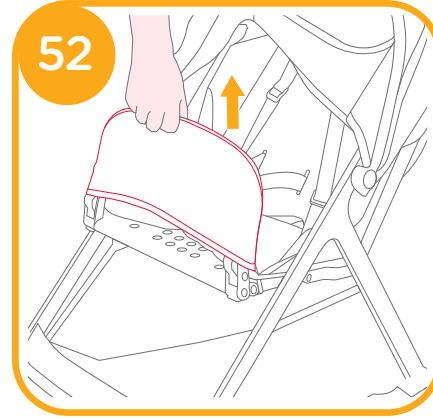
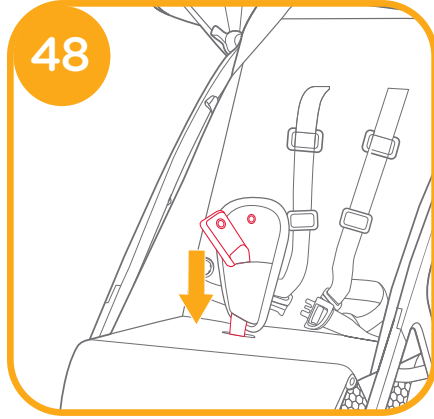
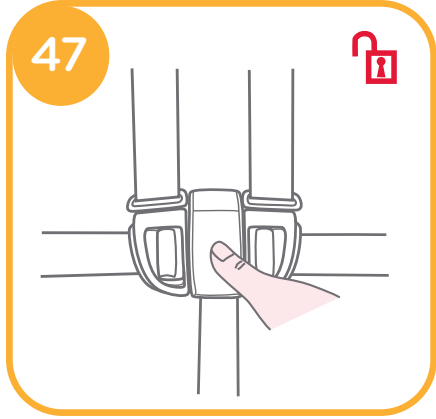
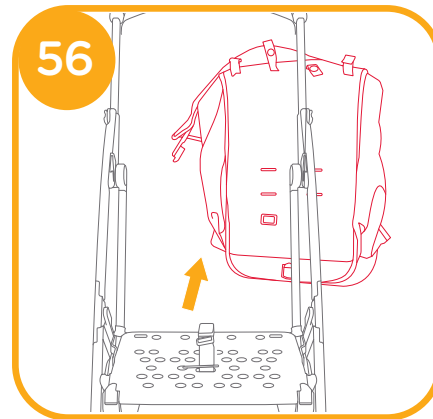
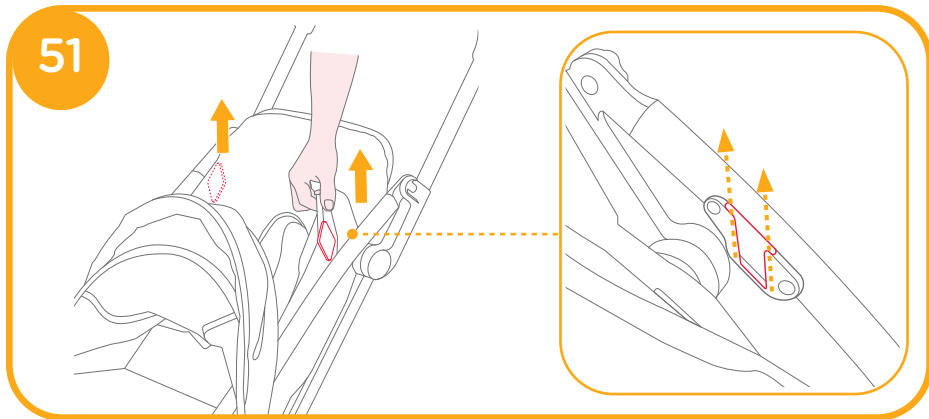
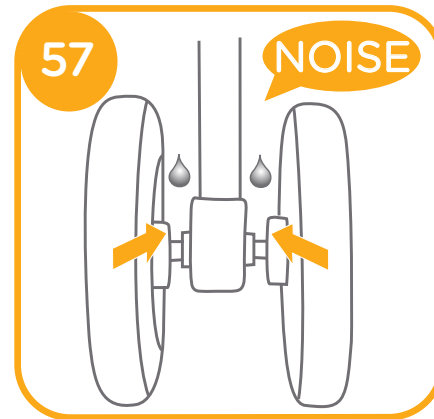


FIGURE 52 ~ 57



## Care and Maintenance



## CH 謝謝您使用本產品

祝賀您加入巧兒宜大家庭! 您剛買了一台符合安全標準CNS 12940:2013 和歐洲安全標準EN 1888-1:2018+A1:2022 的高品質pact pro 手推車。這台手推車適用於重量15 公斤以下的寶寶。台灣區域使用請依照CNS 標準規範。

請仔細閱讀本說明書並依照指示操作，這樣才能保障並提供您的寶寶一個安全又舒適的行程。

**重要 - 請保留好說明書以便日後參考。**

如需要了解更多信息，請您訪問joiebaby.com 網站下載說明書或查看更多令人激動的Joie 產品!

## 目錄

參照圖示	1-10
緊急情況處理	12
產品資訊	13
產品組件及各部件名稱	14
警告	15
產品組裝	17
打開手推車	17
組裝&拆卸前輪	17
組裝&拆卸後輪	17
組裝&拆卸扶手	17

產品操作	18
使用安全扣	18
使用肩帶和腰帶	18
調整背靠角度	19
調節小腿靠支撐板	19
前輪定向	19
使用剎車踏板	20
使用遮陽篷	20
使用肩帶護片&胯帶護片	20
收合手推車	20
使用配件	21
使用汽車椅	21
使用雨篷	21
拆卸&組裝座布	22
保養常識	22

## 緊急情況處理

遇緊急事件或事故時，需迅速急救或送醫治療照顧您的寶寶是非常重要的。

# 產品資訊

Allison Baby UK Ltd.

Venture Point, Towers Business Park,  
Rugeley, Staffordshire, WS15 1UZ

www.joiebaby.com

產品名稱 Pact Pro手推車

產品型號 S2308

最大體重 15公斤

適用嬰幼兒年齡 0-36個月

主要材質 塑膠、合金、布

淨重 6.3公斤

產品尺寸 860mmx495mmx1060mm

製造日期 詳見產品上貼紙日期(年/月/日)

專利號碼 專利申請中

原產地 中國

委製商 巧兒宜國際股份有限公司

進口商 巧兒宜國際股份有限公司

地址 台北市內湖區瑞光路431號2樓

電話 02-27973000

統一編號 52603333

代理商 奇哥股份有限公司 Chickabiddy Co., Ltd

地址 台北市南京東路四段186號5樓

服務專線 0800-001-256 / 02-25781188

統一編號 04222671

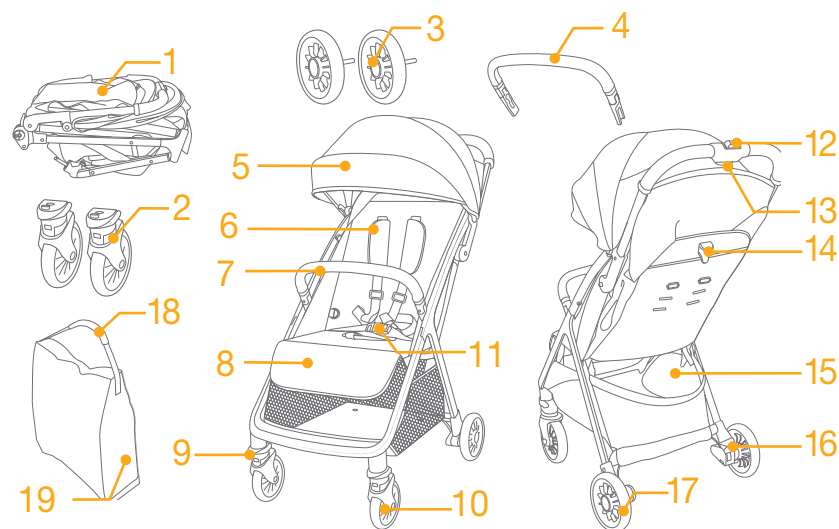
網址 www.chick.com.tw

使用本產品前請先閱讀說明書全文，如果您對於使用本產品  
還有任何疑問，請撥服務專線0800-001-256 / 02-25781188

## 產品組件及各部件名稱

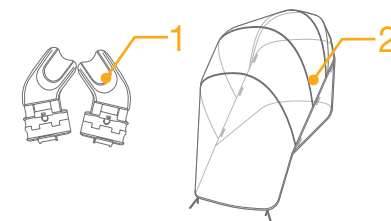
組裝前請確認所有部件已經齊全，如有遺漏，請與代理商聯繫。本產品無需工具進行組裝。

- |        |           |         |
|--------|-----------|---------|
| 1 主體   | 8 小腿靠     | 15 置物籃  |
| 2 前輪   | 9 前輪定向拉板  | 16 剎車踏板 |
| 3 後輪   | 10 前輪     | 17 後輪   |
| 4 扶手   | 11 安全扣    | 18 背帶   |
| 5 遮陽篷  | 12 第二道安全鎖 | 19 置物袋  |
| 6 肩帶護片 | 13 單手按鈕   |         |
| 7 扶手   | 14 背靠調整按鈕 |         |



## 配件 (可能不包含)

- 1 連接器
- 2 雨篷



因產品型號的不同，並非所有手推車均附以上配件。



# 警告

- ! 本產品須由成人進行組裝。
- ! 本手推車適合體重15公斤以下的寶寶使用，不符合使用條件的寶寶會對手推車造成損壞。
- ! 寶寶乘坐時應使用腰部及胯部的安全帶，並同時使用肩帶。
- ! 請勿擺放超過4.5公斤的物件於置物籃內，以免導致手推車不穩定而產生危險。
- ! 不得將寶寶單獨留置於手推車上無人看護。
- ! 不得附載其它的嬰幼兒、物品或附件於推車上。
- ! 超載或不正確的折疊及使用非經核准的零附件都可能造成手推車損壞、故障或不安全，請務必閱讀說明書。
- ! 使用前請仔細閱讀本說明書並請妥善保存供以後參照。如果不按照本說明書可能會影響乘坐寶寶的安全。
- ! 寶寶乘坐時，安全帶或束縛系統必須正確的扣合及使用。
- ! 當調整手推車上之任何可活動配件時，必須確定寶寶與手推車保持安全距離。
- ! 嬰幼兒可能會滑入足底部分的缺口或造成窒息。
- ! 禁止在樓梯上使用手推車。
- ! 使用時請遠離火源、高溫、水池或電源之附近範圍。
- ! 不可讓寶寶站立或倒坐於手推車上。
- ! 不可將手推車放置於馬路、坡道或危險場所。
- ! 使用前應確實豎立及固定各機構以確保安全。
- ! 請勿將任何繩索或索帶類物件懸掛於寶寶頸部附近，或扣在產品及玩具上，以免導致意外窒息。
- ! 請勿放置任何物品在車手、背靠後面或車台側面，以免影響手推車的穩定性。
- ! 寶寶乘坐於手推車內時，不可將整個手推車往上提。
- ! 請勿將寶寶放到置物籃內。
- ! 請不要讓寶寶攀扶手推車，以免翻覆。
- ! 為避免手指夾傷問題，收合及展開手推車時，請務必小心。
- ! 寶寶接近手推車前，請確認手推車已完全打開或收合。
- ! 使用前請確定各部件安裝牢固以確保安全。
- ! 保持嬰幼兒遠離此篷罩及雨篷以免造成窒息。
- ! 停泊此手推車時務必確實使用所有之剎車裝置。
- ! 當發現手推車損壞時，應立即停止使用。
- ! 請勿使用其它廠商提供的零部件。
- ! 本產品不適用於跑步和滑冰，只適合以步行速度使用。
- ! 使用本產品前，請取掉PE袋和包裝材料並銷毀，並放到嬰兒和兒童觸摸不到的地方。
- ! 供新生兒使用時，應使用最斜躺位置。
- ! 請勿允許您的寶寶將本產品當玩具玩耍。
- ! 當放入和抱出寶寶時，應鎖定剎車裝置。
- ! 當結合汽車椅使用時，本產品不可代替睡床使用。若您的寶寶需要睡眠時，請讓寶寶睡在合適的睡床上。
- ! 移動本產品時，輕放輕移，切忌硬拖猛推，以免造成產品結構等鬆動或斷裂。
- ! 任意放置未經製造商核可之物品於車台上將造成危險。
- ! 六個月大以下的嬰幼兒應同時使用腰部及胯部的安全帶。

## 產品組裝 (圖片請參閱說明書 1-10 頁)

組裝及使用手推車前，請先閱讀說明書全文，並按照說明書指示進行操作。

### 打開手推車

見圖 ① - ③

！ 使用手推車前務必確保車架已打開到位。

### 組裝 & 拆卸前輪

見圖 ④ - ⑤

### 組裝 & 拆卸後輪

見圖 ⑥ - ⑧

### 組裝 & 拆卸扶手

見圖 ⑨ - ⑪

打開扶手可令寶寶上下手推車更容易 ⑪

始終用安全帶固定孩子，扶手不是束縛裝置。

手推車組裝完成後如 ⑫ 所示。

## 產品操作

### 使用安全扣

見圖 ⑬ - ⑭

鬆開安全扣

按下母扣中央的按鈕，鬆開安全扣 ⑬

扣合安全扣

將肩帶扣插入腰帶扣 ⑭ - 1，再將他們插入母扣內 ⑭ - 2，聽到“咔嚓”聲表示扣合到位 ⑭ - 3

！ 為防止寶寶摔跤，寶寶乘坐時必須繫上安全帶。

！ 請牢牢地繫上安全帶，並注意寶寶與安全帶之間須可以放進一個手掌的厚度。

！ 請勿交叉肩帶，以免對寶寶頸部造成壓迫。

### 使用肩帶和腰帶

見圖 ⑮ - ⑱

！ 寶寶坐進手推車後，請確認肩帶孔高度和肩帶及腰帶的長度是否合適，以免寶寶於使用時意外跌出。

⑮ - 1 肩帶固定栓A

⑮ - 2 肩帶固定栓B

⑮ - 3 調整扣

較大的寶寶使用時，請使用肩帶固定栓A和最上方的肩帶孔；

較小的寶寶使用時，請使用肩帶固定栓B和最下方的肩帶孔。

調整肩帶固定栓位置時，將背靠後方的肩帶固定栓放置水平、短邊朝前，從肩帶孔穿出 ⑯，再從背靠前方將肩帶固定栓穿過最接近寶寶肩膀的肩帶孔 ⑰

將調整扣上下滑動，可調節肩帶長度<sup>18</sup> - 1

按壓按鈕<sup>18</sup> - 2，同時往外拉安全扣內側或外側的腰帶，可調節腰帶長度<sup>18</sup> - 3

## 調整背靠角度

見圖<sup>19</sup> - <sup>20</sup>

調低背靠角度

按壓背靠調整按鈕，同時向下調整背靠到合適的角度<sup>19</sup>

！如寶寶已坐在座椅內，請用另一隻手輕托背靠，以減少震盪。

調高背靠角度時，將背靠向上推即可<sup>20</sup>

## 調節小腿靠支撐板

見圖<sup>21</sup> - <sup>22</sup>

依不同使用需求，小腿靠共有3個段位可供調節。

段位調高時，將小腿靠支撐板由下往上推即可<sup>21</sup>

段位調低時，按壓小腿靠兩側的調整按鈕<sup>22</sup> - 1，同時向下調節小腿靠支撐板<sup>22</sup> - 2

## 前輪定向

見圖<sup>23</sup>

前輪鎖定或釋鎖如圖<sup>23</sup>

**使用小秘訣** 當在碎石路面或不平路面推行時，建議鎖定前車輪，便能更輕鬆地操控手推車。

## 使用剎車踏板

見圖<sup>24</sup> - <sup>25</sup>

準備剎車時，踩下剎車踏板<sup>24</sup>

打開剎車時，再次踩下剎車踏板<sup>25</sup>

**使用小秘訣** 手推車停止前進時，請踩下剎車踏板。

## 使用遮陽篷

見圖<sup>26</sup> - <sup>28</sup>

打開或者收攏遮陽篷，將遮陽篷往前拉或往後翻即可<sup>26</sup>

打開遮陽篷天窗，方便查看宝宝<sup>27</sup>

打開遮陽篷後片，方便查看宝宝<sup>28</sup>

## 使用肩帶護片&胯帶護片

見圖<sup>29</sup> - <sup>30</sup>

肩帶護片&胯帶護片可直接從織帶上取下，反之即可組裝。

## 收合手推車

見圖<sup>31</sup> - <sup>36</sup>

！收合手推車前，請先收攏遮陽篷。

推開第二道安全鎖<sup>31</sup> - 1，然後持續按壓單手按鈕<sup>31</sup> - 2，稍微提起車手並將推車向前壓即可收合。手推車收合後可站立。

！使用置物袋方便運輸或儲存<sup>36</sup>

# 使用配件

因產品型號的不同，規格會有所不同。並非所有手推車均附以下配件。

## 使用汽車椅

見圖 37 - 45

當與Joie汽車椅gemm&i-Level&i-Jemini&i-Snug 2配合使用時，請參考以下警告：

- ! 請將手推車背靠調至最平躺段位并收合遮陽篷。
- ! 使用連接器之前，請先移除扶手。
- ! 關於使用汽車椅有任何問題，請參考說明書。
- ! 請勿收合已安裝汽車椅的手推車。

## 使用雨篷

見圖 46

將雨篷套到車架上，再粘合雨篷側面的粘扣帶和扣合雨篷下方的鈕扣。

- ! 使用雨篷時，請確認汽車椅已正確固定和手推車背靠已調至最低檔。
- ! 使用雨篷時，請隨時注意並確認雨篷內有良好的通風。
- ! 不使用雨篷時，請先確認雨篷已清潔並干燥，再收納。
- ! 請勿收合已罩上雨篷的手推車。
- ! 天氣炎熱時，請勿將幼童放在裝有雨篷的手推車內。

## 拆卸&組裝座布

見圖 47 - 56

請先移除扶手 10

參考 47 - 56 可拆卸座布，依反向操作 56 - 47 即可組裝座布。

## 保養常識

見圖 57

- ! 清洗座布時，請使用溫水清洗，請勿漂白。具體請參考手推車上洗滌標版內容。
- ! 清洗車架：僅能使用中性清潔劑及溫水洗滌，請勿使用漂白劑。清洗後用吸水的布擦幹防止生鏽。
- ! 隨時檢查您的手推車，並隨時更換或修理鬆弛磨損的零件、脫落的材料或車縫線。
- ! 過度曝曬於陽光下，可導致手推車老化或變形。
- ! 手推車潮濕時，請打開手推車及遮陽篷，待干燥後再收合起來。
- ! 如果輪子發出“吱吱”聲，可加油(WD-40，防鏽油或縫紉機油)潤滑。請將潤滑油點入輪軸及軸孔 57 之間，此步驟為重要的保養須知。
- ! 在海邊使用手推車時，務必於使用過後清除沙粒，以做好完善的清洗。

## 延長保固服務

請於購買起一個月內至奇哥官網進行登錄，登錄成功後即享有商品延長一年保固服務。



Joie™

## pact™ pro

### Instruction Manual

Read these instructions carefully before use and keep them for future reference. Your child's safety may be affected if you do not follow these instructions.



**IMPORTANT - READ CAREFULLY AND  
KEEP FOR FUTURE REFERENCE**

## GB Welcome to Joie™

Congratulations on becoming part of the Joie family! We are so excited to be part of your journey with your little one. While traveling with the Joie pact pro, you are using a high quality, fully certified stroller, approved to European safety standards EN 1888-1:2018+A1:2022. This product is suitable for children up to 15kg or 36 months whichever comes first. Please carefully read this manual and follow each step to ensure a comfortable ride and best protection for your child.

**IMPORTANT - READ CAREFULLY AND KEEP FOR FUTURE REFERENCE.**

Visit us at [joiebaby.com](http://joiebaby.com) to download manuals and see more exciting Joie products!

For warranty information, please visit our website at [joiebaby.com](http://joiebaby.com)

## Contents

Figures	1-10
Emergency	26
Product Information	27
Parts List	28
WARNING	29
<b>Stroller Assembly</b>	<b>30</b>
Open Stroller	30
Assemble & Detach Front Wheel	30

Assemble & Detach Rear Wheel	30
Assemble & Detach Arm bar	30
<b>Stroller Operation</b>	<b>30</b>
Use Buckle	30
Use Shoulder & Waist Harnesses	30
Adjust Backrest	31
Adjust Calf Support	31
Use Front Swivel Lock	31
Use Brake	31
Use Canopy	31
Use Shoulder Harness Cover and Crotch Harness Cover	31
Fold Stroller	31
Use Accessories	32
Use with Infant Child Restraint	32
Use Rain Cover	32
Detach & Assemble Soft Goods	32
<b>Cleaning and Maintenance</b>	<b>32</b>

## Emergency

In case of emergency or accident, it is most important to have your child taken care of with first aid and medical treatment immediately.

## Product Information

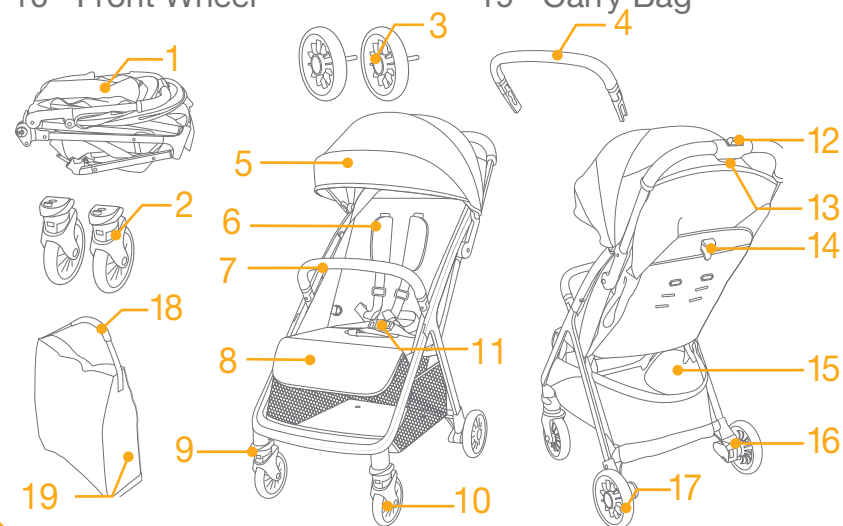
Read all the instructions in this manual before using this product. If you have any further questions, please consult the retailer. Some features may vary depending on model.

<b>Product</b>	pact pro
<b>Suitable for</b>	This product is suitable for children up to 15 kg or 36 months whichever comes first
<b>Materials</b>	Plastics, metal, fabrics
<b>Patent No.</b>	Patents pending
<b>Made in</b>	China

## Parts List

Make sure all parts are available before assembly. If any part is missing, please contact local retailer. No tools are required for assembly.

- |    |                        |    |                          |
|----|------------------------|----|--------------------------|
| 1  | Stroller Frame         | 11 | Buckle                   |
| 2  | Front Wheel            | 12 | Secondary Lock           |
| 3  | Rear Wheel             | 13 | One-Hand-Fold Handle     |
| 4  | Arm bar                | 14 | Backrest Adjuster Buckle |
| 5  | Canopy                 | 15 | Storage Basket           |
| 6  | Shoulder Harness Cover | 16 | Brake Lever              |
| 7  | Arm bar                | 17 | Rear Wheel               |
| 8  | Calf Support           | 18 | Carry Strap              |
| 9  | Swivel Lock            | 19 | Carry Bag                |
| 10 | Front Wheel            |    |                          |

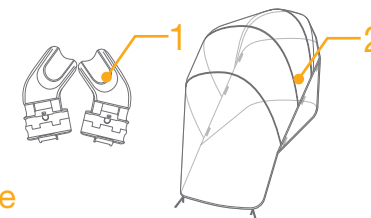


## Accessories

(May not be included)

- 1 Adapter (on certain models)
- 2 Rain cover (on certain models)

Accessories may be sold separately or may not be available depending on region.



# WARNING

- ! Always use the restraint system.
- ! Ensure that all the locking devices are engaged before use.
- ! Do not let the child play with this product.
- ! Check that the car seat attachment devices are correctly engaged before use.
- ! Adult assembly required.
- ! This product is suitable for children up to 15kg or 3 years whichever comes first.
- ! To prevent a hazardous, unstable condition, do not place more than 4.5kg in the storage basket.
- ! Never leave the child unattended.
- ! Use the stroller with only one child at a time. Never place purses, shopping bags, parcels or accessory items on the handle or canopy.
- ! Accessories which are not approved by the manufacturer shall not be used.
- ! Only replacement parts supplied or recommended by the manufacturer shall be used.
- ! To avoid injury ensure that the child is kept away when unfolding and folding this product.
- ! This product is not suitable for running or skating.
- ! Pushchair designed to be used from birth shall recommend the use of the most reclined position for new born babies.
- ! The parking device shall be engaged when placing and removing the children.
- ! For car seats used in conjunction with a chassis, this vehicle does not replace a cot or a bed. Should your child need to sleep, then it should be placed in a suitable pram body, cot or bed.
- ! Any load attached to the handle and/or on the back of the backrest and/or on the sides of the vehicle will affect the stability of the vehicle.

## Stroller Assembly

(Please refer to figures on page 1-10)

Please read all the instructions in this manual before assembling and using this product.

### Open Stroller

see images 1 - 3

! Check that the stroller is completely latched before continuing to use.

### Assemble & Detach Front Wheel

see images 4 - 5

### Assemble & Detach Rear Wheel

see images 6 - 8

### Assemble & Detach Arm bar

see images 9 - 11

Arm bar can be opened one side for easy seating and unseating of child. 11

! Always secure the child with the harness. The arm bar is not a restraint device.

The completely assembled stroller is shown as 12

## Stroller Operation

### Use Buckle

see images 13 - 14

Release Buckle

Press the center button to release the buckle. 13

Lock Buckle

Match the waist belt buckle with the shoulder buckle 14 - 1, and click into the center buckle. 14 - 2

A "click" sound means the buckle is locked completely. 14 - 3

! Always secure the child with the harness. The arm bar is not a restraint device.

! Make sure your child is snugly secured. The space between the child and the shoulder harness is about the thickness of one hand.

! Do not cross the shoulder belts. This will cause pressure on a child's neck.

### Use Shoulder & Waist Harnesses

see images 15 - 16

! In order to protect your child from falling out, after your child is placed into the seat, check whether the shoulder and waist harnesses are at proper height and length.

15 - 1 Shoulder harness anchor A

15 - 2 Shoulder harness anchor B

15 - 3 Slide adjuster

For larger child, use shoulder harness anchor A and the highest shoulder slots. For smaller child, use shoulder harness anchor B and the lowest shoulder slots.

To adjust the position of the shoulder harness anchor, turn the anchor to be level with the side facing forward. Thread it through the shoulder harness slot from back to front. 16

Rethread it through the slot that is closest to child's shoulder height. 17

Use slide adjuster to change the harness length. 18 - 1

Press the button 18 - 2, while pulling the waist harness to proper length. 18 - 3



## Adjust Backrest

see images 19 - 20

Recline Backrest

Press backrest adjuster buckle to adjust the backrest downwards. 19

Raise Backrest

To raise the backrest, push up. 20

! Make sure the recline is set properly for use.

## Adjust Calf Support

see images 21 - 22

The calf support has 3 positions.

To raise the calf support, push it upwards. A "click" sound means the calf is locked completely. 21

To lower calf support, press the adjustment buttons on both sides of the calf support 22 - 1, and rotate the calf support downwards. 22 - 2

## Use Front Swivel Lock

see images 23

Push up the front swivel locks to maintain the moving direction. 23

**Tip** It is recommended to use swivel locks on uneven surfaces.

## Use Brake

see images 24 - 25

To lock the rear wheels, step down on the brake lever. 24

To unlock the rear wheels, step down the brake lever again. 25

**Tip** Always apply the brake when the stroller is stopped. Push the stroller slightly to ensure the brake is engaged.

## Use Canopy

see images 26 - 28

The canopy can be opened or folded, pull it toward front or back. 26

There is a window on the canopy, through which you can view your baby. 27

It is convenient to see the baby when flipping up the canopy rear panel. 28

## Use Shoulder Harness Cover and Crotch Harness Cover

see images 29 - 30

The shoulder harness cover or crotch harness cover can be removed from the webbing. To assemble shoulder harness cover and crotch harness cover in reverse steps.

## Fold Stroller

see images 31 - 35

! Please fold the canopy before folding the stroller.

Push secondary lock 31 - 1 and squeeze one-hand-fold button 31 - 2. Push the stroller forward to fold.

! Grab the carry bag, the stroller will follow you. 35

## Use Accessories

Accessories may be sold separately or may not be available depending on region.

### Use with Infant Child Restraint

see images 37 - 45

When using with Joie child restraint gemm&i-Level&i-Jemini or i-Snug 2, please refer to the following instructions.

! Adjust the backrest to the lowest position and fold the canopy.

! Need to remove the arm bar before using adaptes.

! If you have any problems about using the infant child restraint, please refer to their own instruction manuals.

! Please do not fold the stroller when the infant child restraint or adaptes are still attached.

### Use Rain Cover

see image 46

To assemble the rain cover, place it over the stroller, and then attach the seaps and hook and loop fasteners on the rain cover.

! Before using the rain cover, please make sure the backrest has been adjusted to the lowest position and the infant child restraint has been fastened.

! When using the rain cover, please always check its ventilation.

! When not in use, please check that the rain cover has been cleaned and dried before folding.

! Do not fold the stroller after assembling the rain cover.

! Do not place your child into the stroller assembled with rain cover during hot weather.

### Detach & Assemble Soft Goods

see images 47 - 56

Remove arm bar shown as 10.

To re-assemble seat soft goods, follow the steps abovein reverse 56 - 47

## Care and Maintenance

see image 57

! Removable seat pad may be washed in cold water and drip-dried. No bleach. Please refer to the care label for instructions on cleaning the fabric parts of the stroller.

! To clean stroller frame, use only household soap and warm water. No bleach or detergent. Periodically wipe clean plastic parts with a soft damp cloth. Always dry the metal parts to prevent the formation of rust if the stroller has come into contact with water.

! From time to time, check your stroller for loose screws, worn parts, torn material or stitching. Replace or repair the parts as needed.

! Excessive exposure to sun or heat could cause fading or warping of parts.

! If stroller becomes wet, open hood and allow to dry thoroughly before storing.

! If wheels squeak, use a light oil (e.g., Silicon Spray, antirust oil, or sewing machine oil). It is important to get the oil into the axle and wheel assembly. 57

! When using your stroller at the beach, completely clean your stroller after use to remove sand and salt from mechanisms and wheel assemblies.



Allison Baby UK Ltd,  
Venture Point, Towers Business Park  
Rugeley, Staffordshire, WS15 1UZ

bring the kids™

Share the joy at [joiebaby.com](http://joiebaby.com)

IM-001267A