

Joie™

birth to 9kg/0-5 months

roomie™ glide

床邊嬰兒床

使用說明書

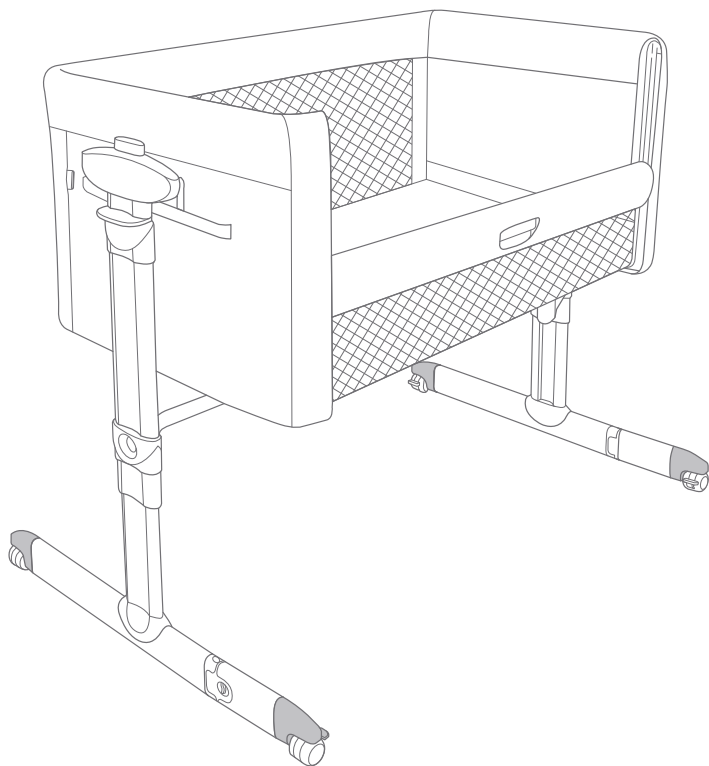
本產品符合安全標準CNS 16044:2018以及

歐洲安全標準EN 1130:2019/AC:2020和

EN 16890:2017+A1:2021測試和認證

組裝及使用本產品前

請先閱讀說明書全文



重要！保留以備參照，請詳細閱讀

謝謝您使用本產品

您剛買了一台通過安全標準CNS 16044:2018以及歐洲安全標準EN 1130:2019/AC:2020和EN 16890:2017+A1:2021檢測的床邊嬰兒床，這台床邊嬰兒床適用於體重9公斤(約5個月)以下的寶寶。台灣區域使用請依照CNS標準規範。

請仔細閱讀本說明書並依照指示操作，這樣才能保障並提供您的寶寶一個安全又舒適的使用環境。

本說明書中採用的插圖是為了說明產品的操作方法和產品結構，當插圖與實物存在差異時，請以實物為準。

功能介紹

全功能床邊嬰兒床

網狀床圍：透氣舒適，方便媽媽隨時照看寶寶

高質感舒適耐髒床墊

穩固安全床架

收納後體積小，旅遊攜帶方便

寬敞安全空間

通過歐盟高規格床邊嬰兒床標準

符合歐洲防火標準

不含重金屬、雙酚A等有毒物質

目錄

參照圖示 1-10

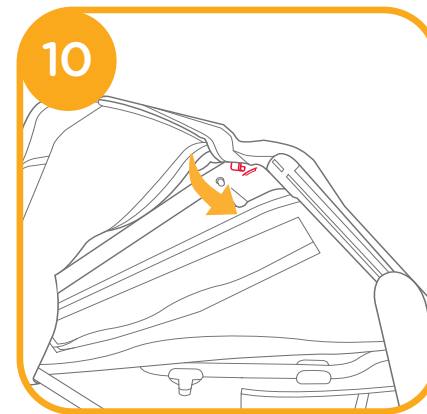
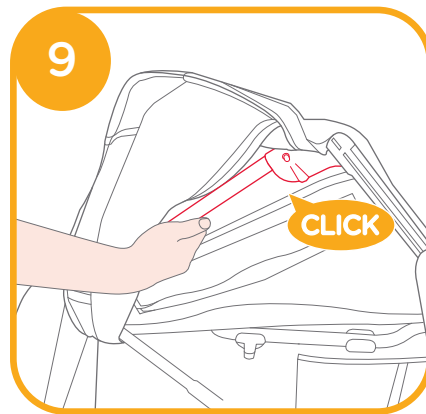
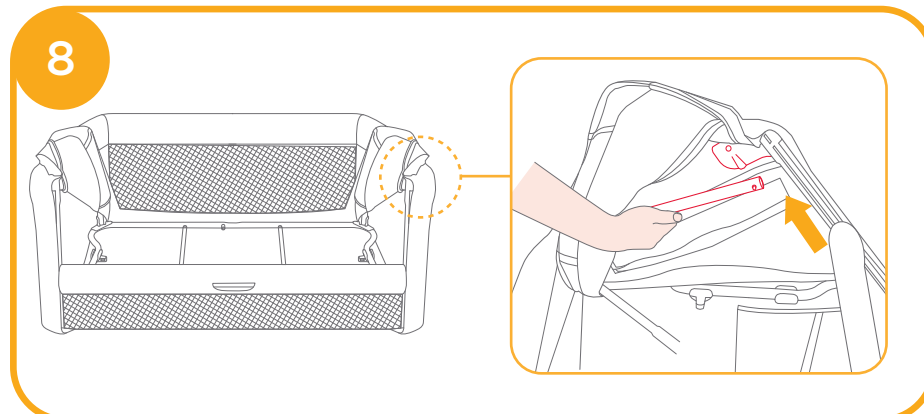
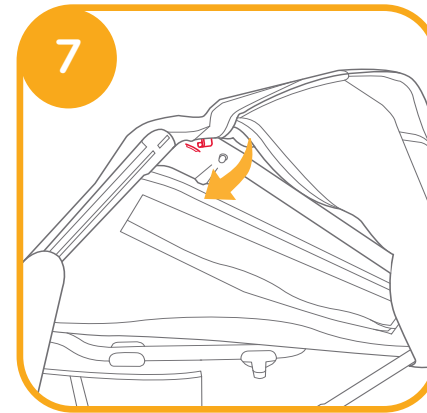
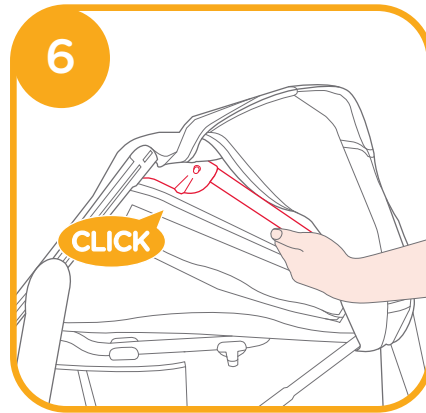
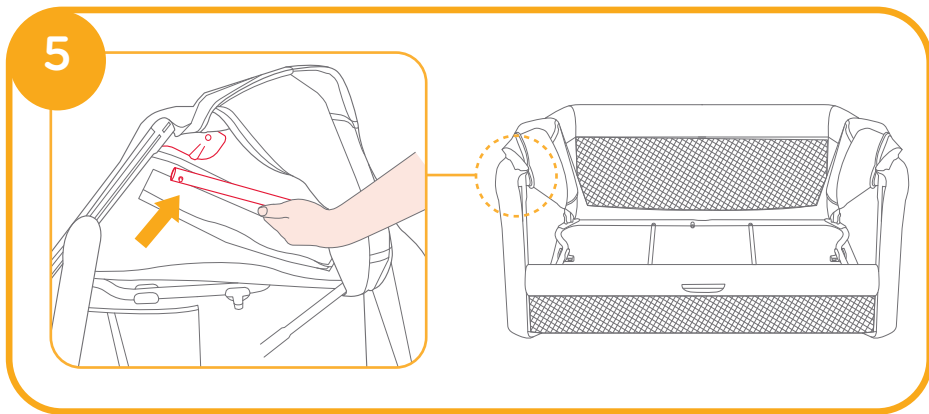
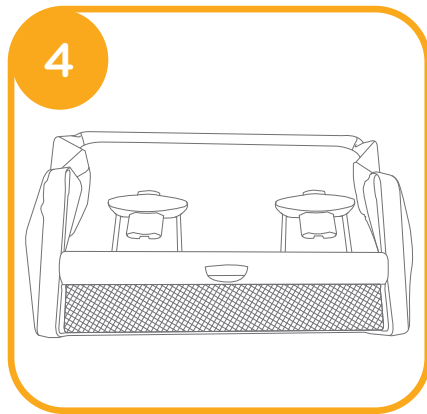
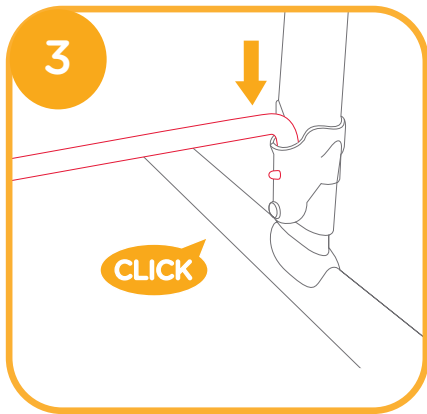
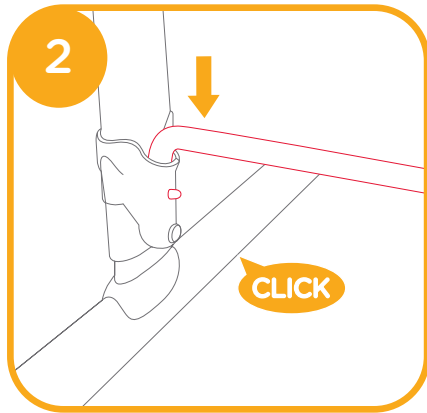
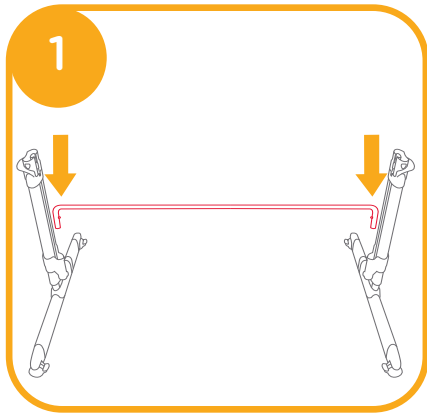
中文

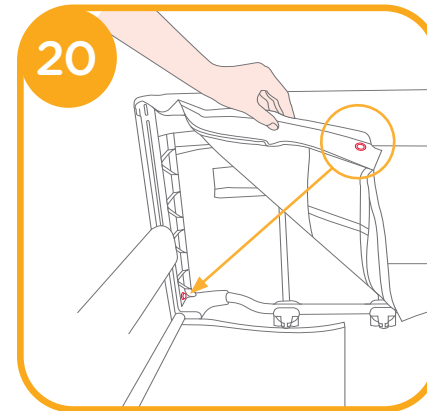
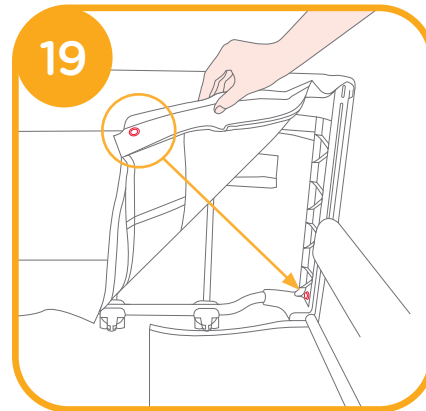
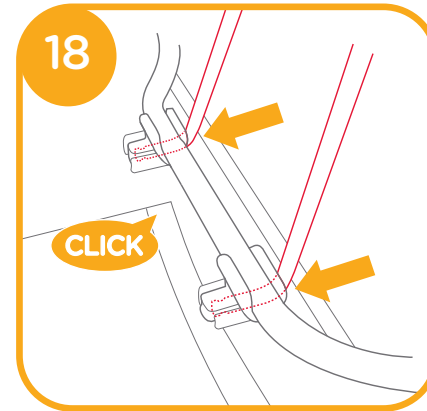
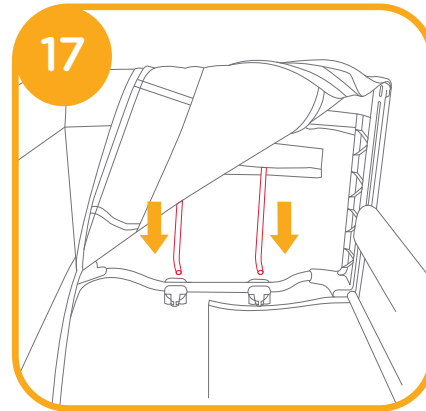
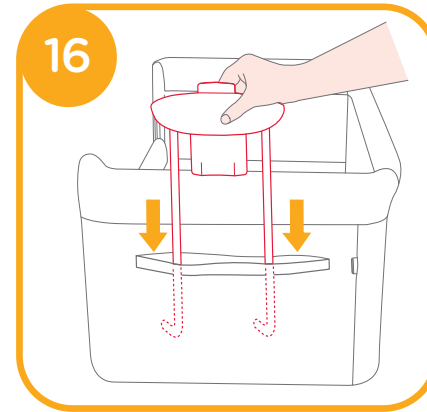
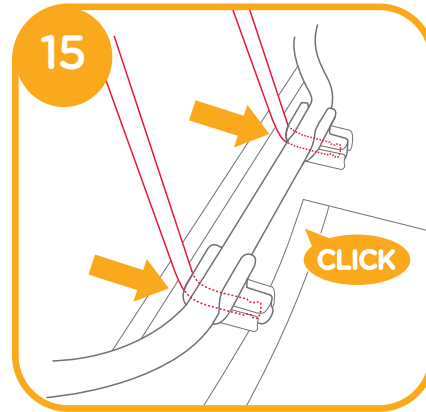
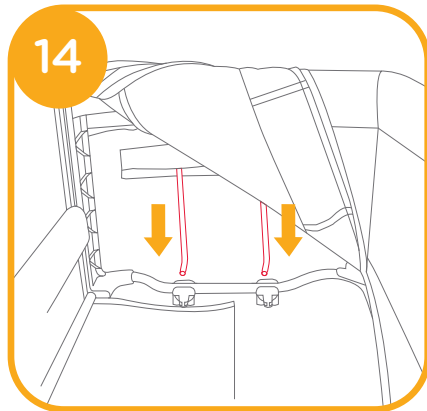
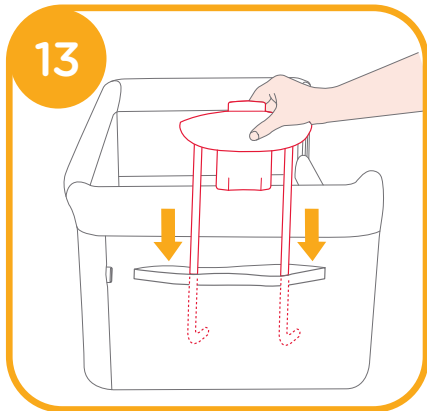
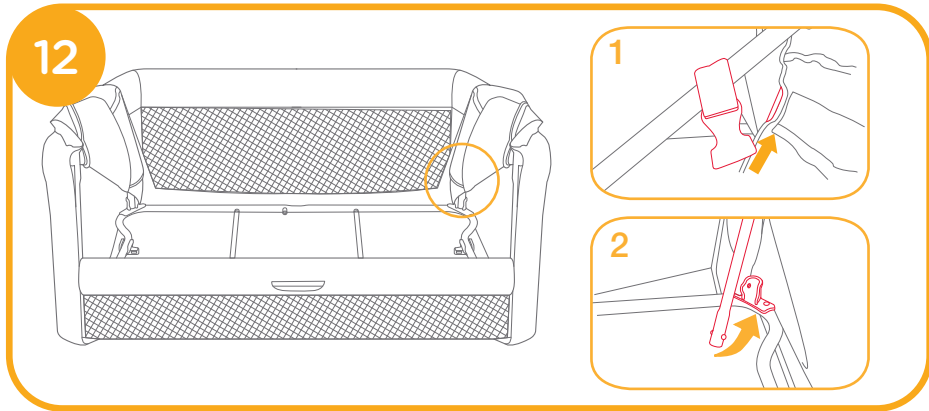
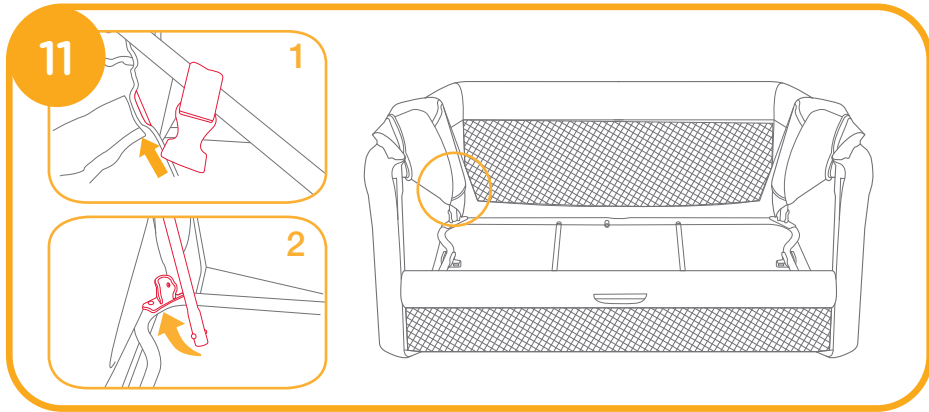
警告	11
緊急情況處理	13
產品資訊	13
產品組件及各部件名稱	14
安裝床邊嬰兒床	15
搖擺功能	15
高度調節	15
使用輪子	15
使用床邊嬰兒床模式	16
使用收納袋	16
保養維護與保固	17

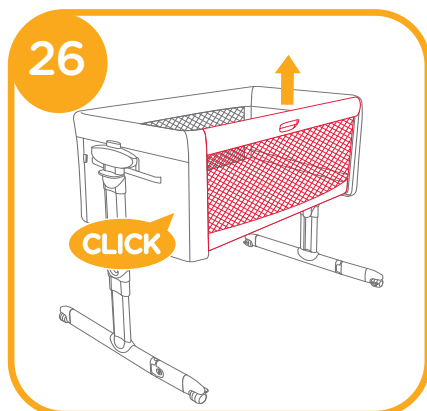
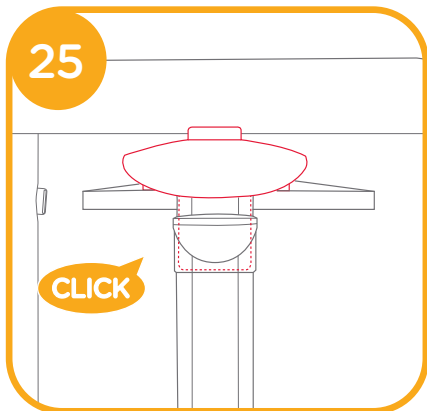
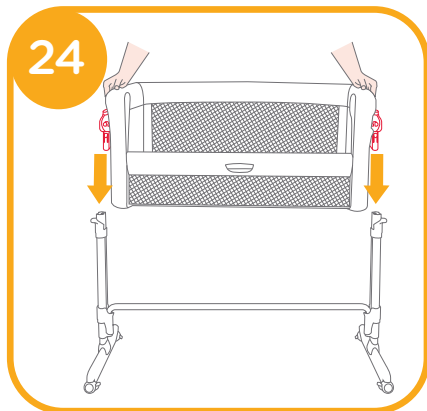
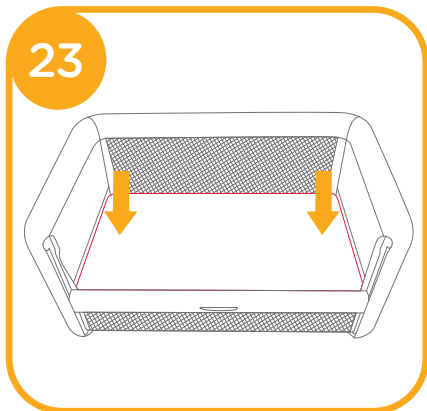
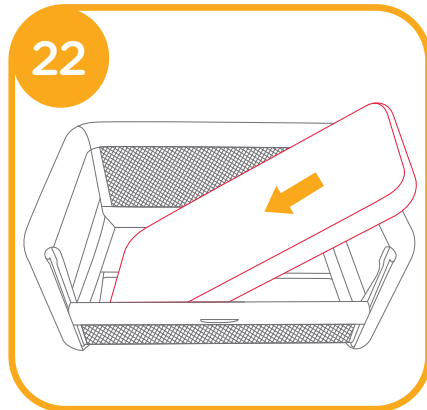
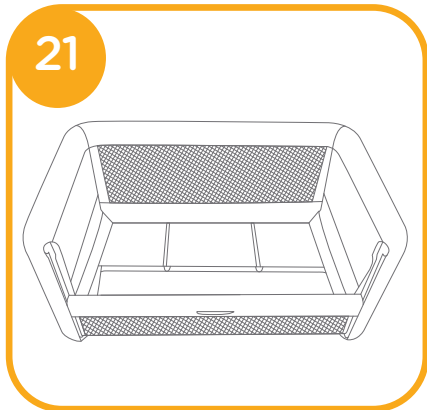
English

20-32

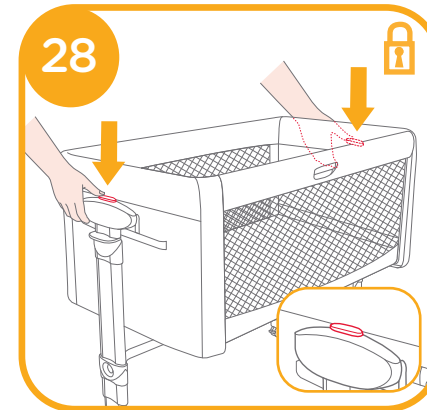
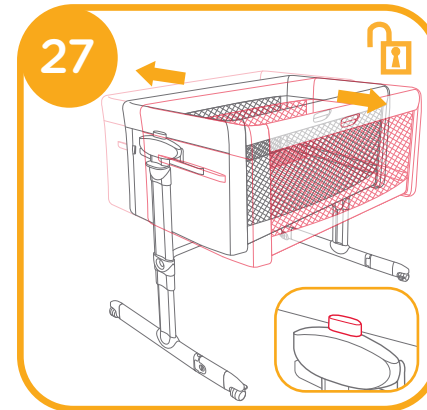
安裝床邊嬰兒床



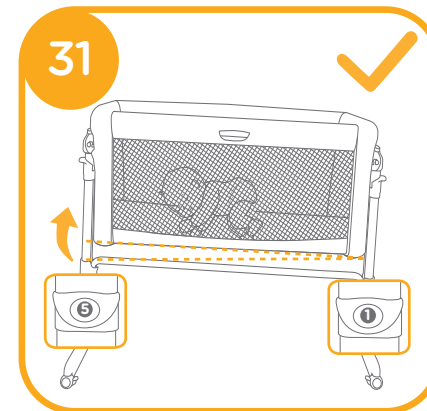
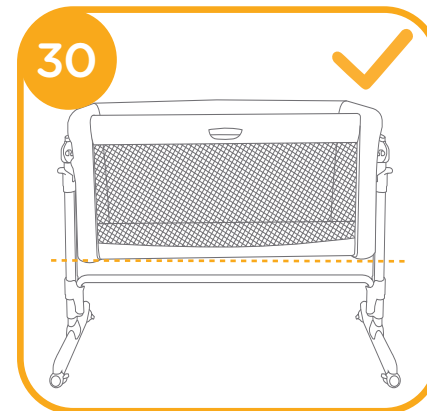
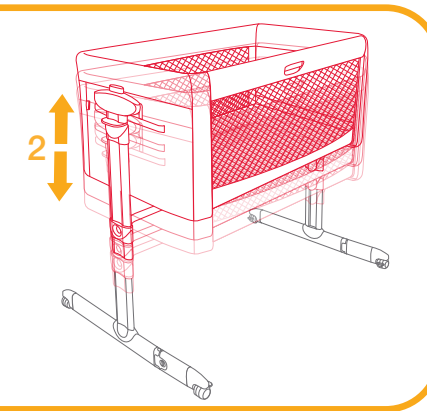
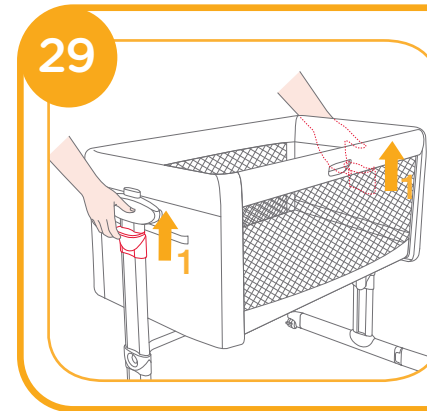




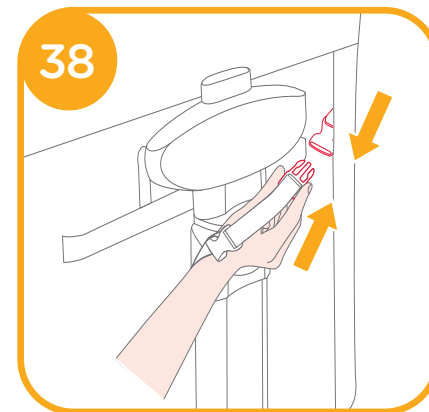
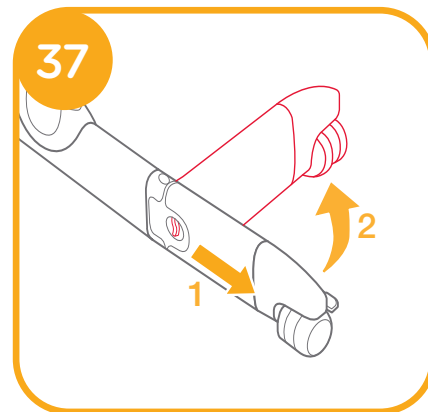
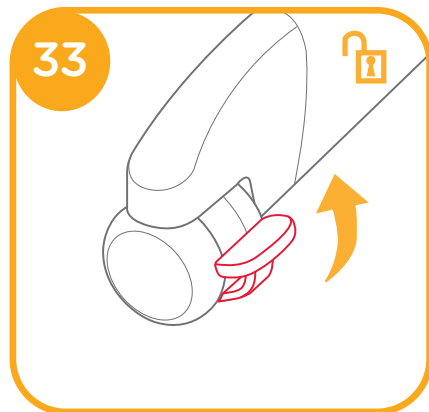
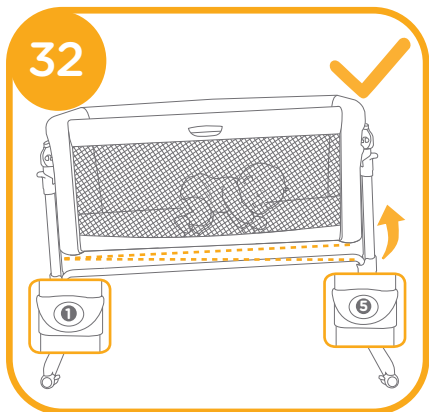
搖擺功能



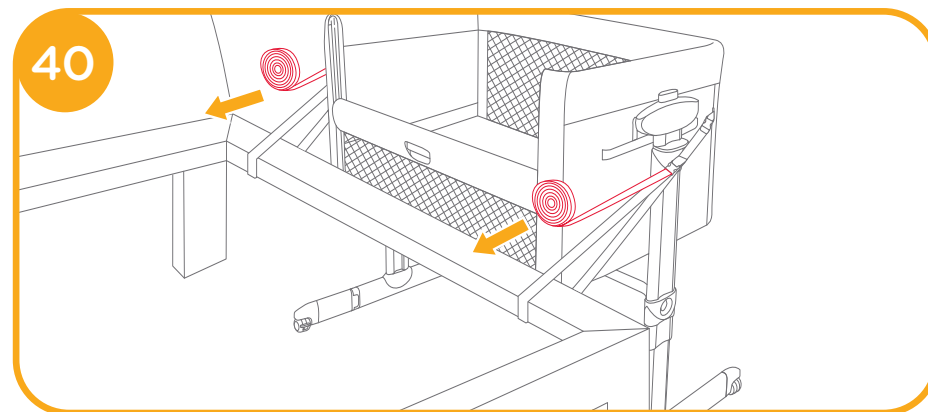
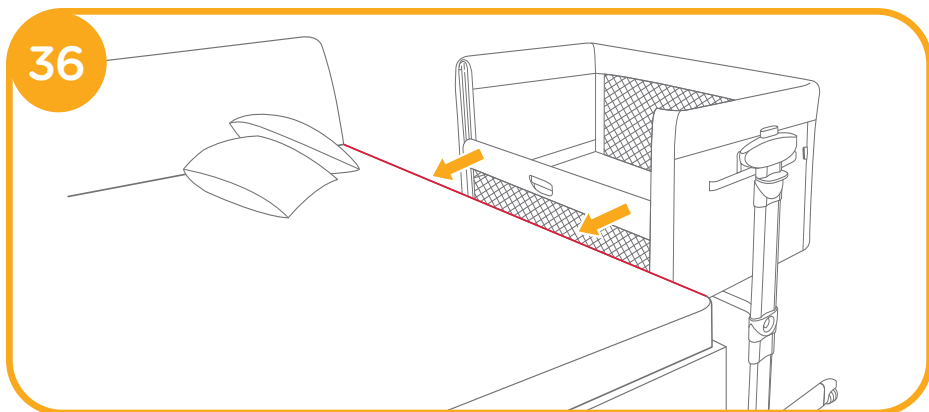
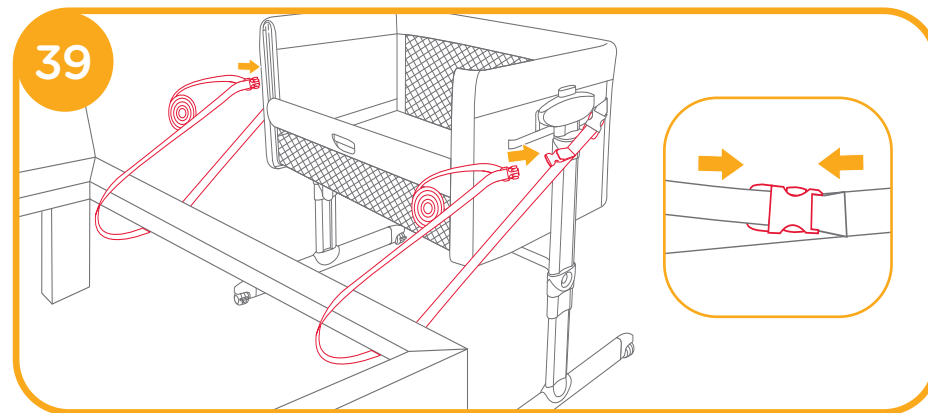
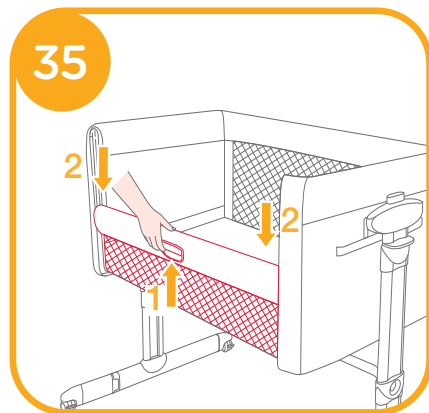
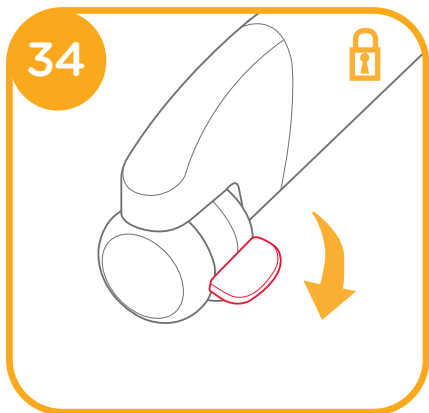
高度調節

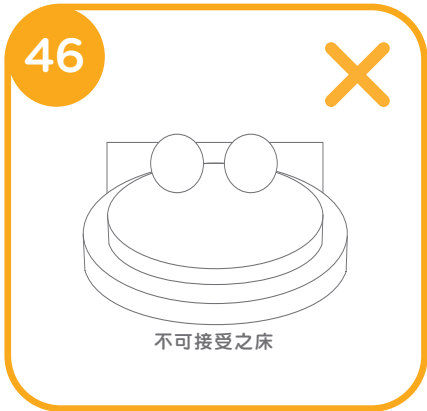
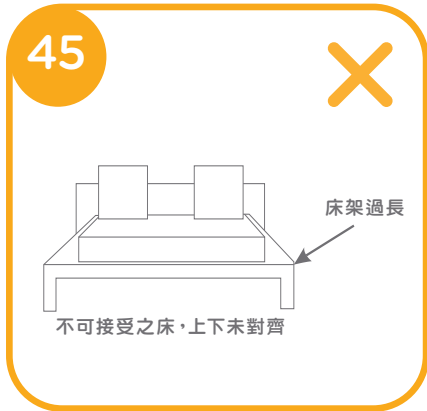
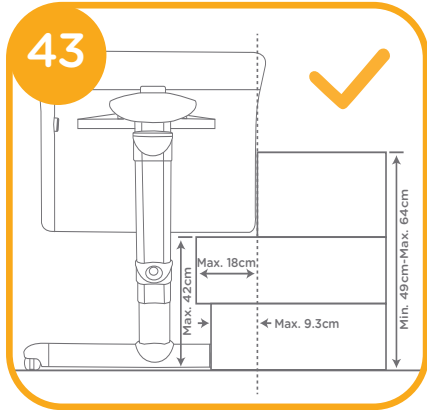
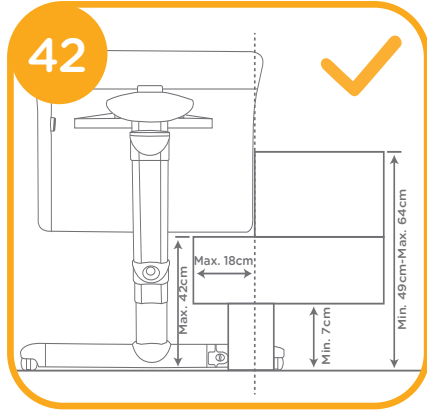
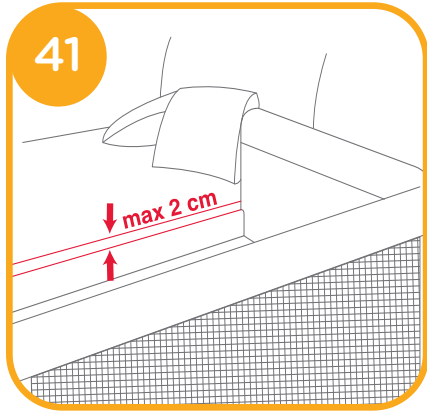


使用輪子

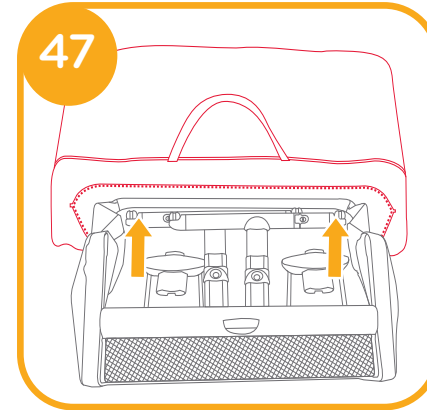


使用床邊嬰兒床

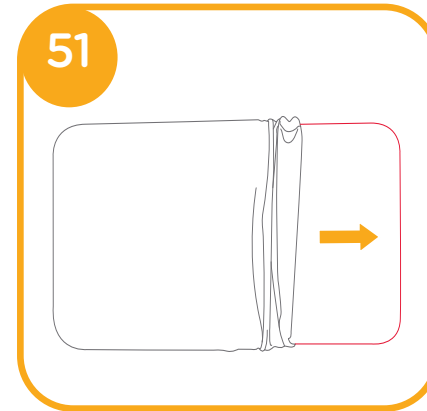
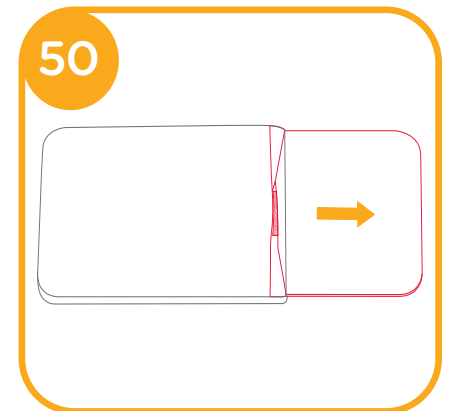
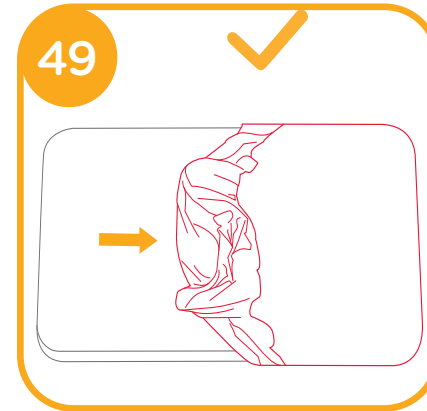




使用收納袋



保養常識



警告

- ! 本床邊嬰兒床僅設計與地板距成人床墊頂部49cm至64cm之成人床一起使用。
- ! 床邊嬰兒床設計用於提供嬰兒睡眠之區域，直至其開始用手及膝蓋撐起或約5個月大。兒童達此階段應轉換至其他睡眠產品。
- ! 床邊嬰兒床應使用連接系統適度地固定至成人床，以防止夾陷死亡。
 - (a) 床邊嬰兒床與成人床間之間隙不得超過13mm。
 - (b) 每次使用前，將床邊嬰兒床朝遠離成人床之方向拉動，以檢查緊密度。
 - (c) 若間隙超過13mm，切勿使用本產品。
- ! 切勿於間隙中填充枕頭、毯子或其他有窒息危險之物品。
- ! 閱讀並遵守產品每一使用功能(床邊嬰兒床、搖籃)之組裝說明。
- ! 應使用每一使用功能所需之零件，檢查使用手冊中所需零件清單。定期檢查產品是否鬆脫、損壞或零件遺失。
- ! 為避免嬰兒頸部夾陷於緊鄰成人床側之床邊嬰兒床上橫桿而死亡，故上橫桿不得高於成人床墊。
- ! 組裝及使用產品前應詳閱所有說明。
- ! 任何零件遺失、損壞或斷裂時不可使用床邊嬰兒床。若需更換零件及說明書時請與製造廠商聯絡。不可使用替代零件。
- ! 保留說明書備用。
- ! 為避免嬰兒或兒童窒息之危險，應於拆卸後立即處理包裝材料並遠離嬰兒或兒童。
- ! 搖床/搖籃須放置於水平地板上。
- ! 幼兒在無人監督下不得在鄰近搖床/搖籃處玩耍。
- ! 當嬰兒在搖床/搖籃中時，要確使搖床/搖籃鎖定於固定位置。
- ! 若有任何零件破壞、扯裂或遺失，切勿使用此搖床/搖籃。
- ! 嬰兒如能自行坐立、跪爬或撐起本身時，不得再使用搖床/搖籃。
- ! 所有組裝配件須正確緊固，並須留意有無螺釘鬆脫，因為可能扯住嬰兒身體部分或衣物(例：嬰兒的繫繩、項鍊、編織帶等)，造成勒頸之危險。

- ! 無床架不得使用搖籃本體。
- ! 選擇床墊之厚度應使床底在最高位置時，內部垂直高度(床墊頂面至床側面上緣)至少為275mm如標線所示。
- ! 注意搖床/搖籃周圍附近的明火與其他如電熱棒、瓦斯燃火等強熱源之風險。
- ! 本產品需由成人組裝。
- ! 請勿讓您的寶寶單獨留在床邊嬰兒床內而無人照顧。
- ! 本床邊嬰兒床一次僅供一位寶寶使用。
- ! 使用床邊嬰兒床前，請確保床邊嬰兒床已完全打開且所有的鎖定機構均已鎖定。
- ! 請定期檢查所有鎖定和固定裝置，以確保安全。
- ! 請勿以其他的墊子或軟墊取代床墊使用。
- ! 床墊有破損以致露出裡面的填充物時，請停止使用本床邊嬰兒床。
- ! 床邊嬰兒床內使用之床墊勿超過1個。
- ! 警告-僅能使用隨此床邊嬰兒床一起出售之床墊，不要在此床邊嬰兒床上加入第2個床墊，會產生窒息危害。
- ! 應依製造廠商說明書，組裝產品所有使用功能-床邊嬰兒床以及搖籃。
- ! 連接系統須隨床邊嬰兒床功能使用。
- ! 無法與床墊靠攏的成人床不能使用。

緊急情況處理

意外發生時，應盡速送醫急救處理。

產品資訊

Allison Baby UK Ltd.

Venture Point, Towers Business Park,
Rugeley, Staffordshire, WS15 1UZ

www.joiebaby.com

產品名稱 Roomie glide 床邊嬰兒床

產品型號 P1814A

適用年齡 約5個月以下的寶寶

最大容許載重量 9公斤

主要材質 塑膠、五金、布

淨重 11.94公斤

產品尺寸 985mmx685mmx810mm

製造日期 詳見產品上貼紙日期(年/月/日)

專利號碼 專利申請中

原產地 中國

委製商 巧兒宜國際股份有限公司

進口商 巧兒宜國際股份有限公司

地址 台北市內湖區瑞光路431號2樓

電話 02-27973000

統一編號 52603333

代理商 奇哥股份有限公司 Chickabiddy Co., Ltd

地址 台北市南京東路四段186號5樓

服務專線 0800-001-256 / 02-25781188

統一編號 04222671

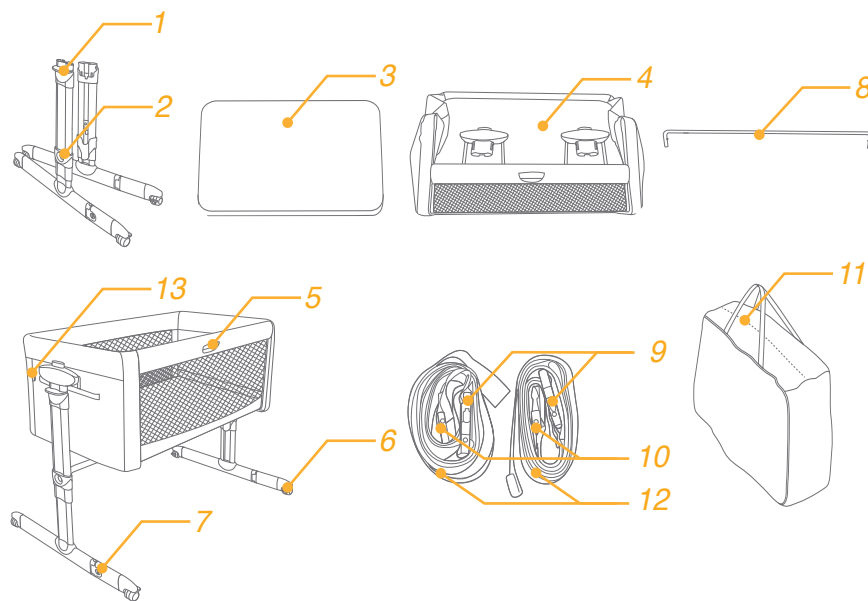
網址 www.chick.com.tw

使用本產品前請先閱讀說明書全文，如果您對於使用本產品還有任何疑問，請撥服務專線0800-001-256 / 02-25781188

產品組件及各部件名稱

組裝前請確認所有部件已經齊全，如有遺漏，請與進口商聯繫。
本產品無需工具進行組裝。

- | | | |
|----------|--------|---------|
| 1 高度調節按鈕 | 6 輪子 | 11 收納袋 |
| 2 高度指示 | 7 旋轉按鈕 | 12 連接織帶 |
| 3 床墊 | 8 支撐管 | 13 扣具C |
| 4 支撐塑膠組 | 9 扣具A | |
| 5 橫桿調節按鈕 | 10 扣具B | |



安裝床邊嬰兒床

見圖1-圖26

組裝及使用本產品前，請先詳細閱讀此說明書。

！請確保將可調節的橫桿與可調節的底腳安裝在同一側。

搖擺功能

見圖27-圖28

！使用床邊嬰兒床模式前，請先鎖定搖擺功能(圖28)

高度調節

見圖29-圖32

！床邊嬰兒床的高度調節有多個段位可供選擇。

！床邊嬰兒床的支撐腳可以調整，兩組支撐腳之間最大可有4檔的差異(例如：一組支撐腳在第5檔，另一組支撐腳在第1檔如(圖31) & (圖32))所示。

！床邊嬰兒床的高度調節功能僅適用於搖籃模式，不適用於床邊嬰兒床模式。

！請確保兒童頭部始終保持在最高的位置。

使用輪子

見圖33-圖34

使用床邊嬰兒床前請將輪子鎖定。為方便床邊嬰兒床移動，可將輪子釋鎖。

！床邊嬰兒床底腳有部分或全部旋轉未鎖定時，床邊嬰兒床不可以使用。正確的位置如 (圖26)所示。意外撞擊情況下床邊嬰兒床底腳會內折，只需將床邊嬰兒床輕輕提起，底腳會自動回復到正確位置。

使用床邊嬰兒床模式

見圖35-圖46

1. 按壓橫桿調節按鈕(圖35-1)可將橫桿降低(圖35-2)

2. 床邊嬰兒床緊靠成人床放置(圖36)，將扣具連接至床邊嬰兒床(圖38)，然後將安全帶繞過成人床並連接到調整扣具上(圖39)，然後將安全帶拉緊(圖40)

！將床邊嬰兒床安裝至成人床時，如果床邊嬰兒床的底腳無法放置於成人床底部時，可將底腳旋轉，方便床邊嬰兒床緊靠成人床放置(圖37)

3. 成人床床墊與可調橫桿在最低位置時的最大高度差是2cm(圖41)

4. 本產品與成人床可接受的類型如(圖42, 43, 44)，不可接受的類型如(圖45) & (圖46)

！請檢查確保床邊嬰兒床模式時，床邊嬰兒床與成人床之間無干涉。

！使用床邊嬰兒床模式時，確保成人床床單，毯子等不要進入或蓋住床邊嬰兒床內部。

！使用床邊嬰兒床模式時，床邊嬰兒床的2組支撐的高度段位應相同。

！每次使用前都要檢查並確保成人床床墊與床邊嬰兒床之間沒有間隙。如果有，請將安全帶拉緊或調整床邊嬰兒床底腳，消除之間的間隙。

！本產品僅適用的成人床有直邊的床和/或床墊使用，不適用的成人床有圓形床和/或床墊或水床使用。

！本產品使用床邊嬰兒床模式(與成人床固定)時，應該與成人床的長邊配合使用，請勿將本產品與床頭或床尾固定。

使用收納袋

見圖47-圖48

參考“安裝床邊嬰兒床”，進行相反的操作可以收合床邊嬰兒床，並將床邊嬰兒床放入收納袋內方便運輸。

保養維護與保固

見圖49-圖51

- ! 床邊嬰兒床座布不可拆卸。
- ! 本產品可用海綿和肥皂水擦洗。
- ! 請勿使用未經稀釋的中性清潔劑、汽油或其他有機溶劑清洗本產品，否則可能對本產品造成損壞。
- ! 清洗收納袋時，請以清水洗滌並滴乾，請勿使用漂白劑。
- ! 若在海灘或花園使用床邊嬰兒床，在收合前，須完全清除沙粒及灰塵，如有沙粒在扶手零件中，會造成床邊嬰兒床損壞。
- ! 請定期檢查您的產品是否有破損的組件、撕裂的材料或車縫線，如有必要請隨時進行更換或修理。
- ! 當長時間不使用本產品時，請將本產品存放於陰涼處及寶寶不易接觸的地方。

NOTE

延長保固服務

請於購買起一個月內至奇哥官網進行登錄，登錄成功後即享有商品延長一年保固服務。



Joie™

birth to 9kg/0-6 months

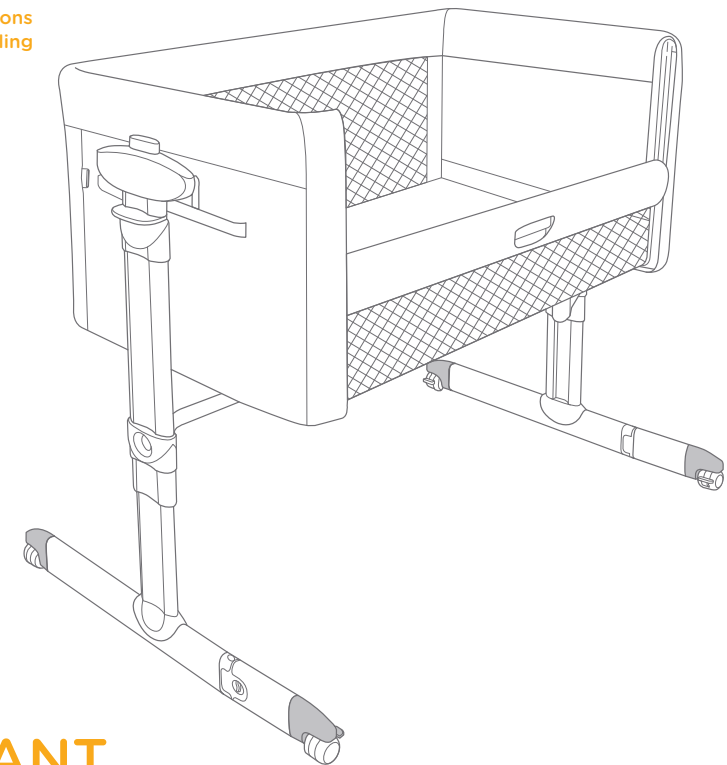
roomie™ glide

Bedside Crib

Instruction Manual

This bedside crib is approved to EN 1130:2019/AC:2020 and European safety standards EN 16890:2017+A1:2021

Please read all the instructions in this manual before installing and using the product



**!!IMPORTANT
RETAIN FOR FUTURE REFERENCE:
READ CAREFULLY.**

Welcome to Joie™

Congratulations on becoming part of the Joie family! We are so excited to be part of your lifewith your little one. While using the Joie roomie™ glide, your baby is enjoying a high quality, fully certified product, approved to European safety standards EN 1130:2019/AC:2020 and EN 16890:2017+A1:2021. This product is suitable for use with children weighing under 9kg (approximately 0-6 months).Please carefully read this manual and follow each step to ensure a comfortable sleeping and best protection for your child.

Please keep the Instruction Manual handy for future reference.

Visit us at Joiebaby.com to download manuals and see more exciting Joie products.

For warranty information, please visit our website at joiebaby.com

Travel cot Features

Full-functional travel cot, it could be used as bed and playard
Ventilative, comfortable meshed rails, make it more convenient for mother to attend baby

High-quality, comfortable, dirty-resistant mattress

Intimate, flexible bassinet

Steady, safe frame

Easy to carry after folded

Spacious safe room for game

Approve to European safety standards

Comply with European flammation standards for high-qualified travel cot

Not include poisonous, such as heavy metal, Bisphenol A, etc.

Contents

Reference Figures 1 - 10

English

WARNINGS	23
Emergency	27
Product Information	27
Parts List	28
Bedside Sleeper Assembly	29
Rocking Function Activation	29
Height Adjustment	29
Use Wheels	30
Use Bedside Sleeper	30
Use Storage Bag	31
Care and Maintenance	32

WARNINGS

- ! Adult assembly required.
- ! Do not use this product without reading the instructions for use first.
- ! Discontinue using product when child reaches 9kg (approximately 0-6 months) or is able to climb out.
- ! Stop using the product as soon as the child can sit or kneel or pull itself up.
- ! Do not place additional items (e.g. toys, pillows ...) in the product.
- ! Do not use the product if any part is broken; torn or missing and use only spare parts approved by manufacturer.
- ! DO NOT USE the product in “Crib Configuration” and/or “Bedside sleeper Configuration” if any part is missing, damaged or broken. Contact joie for spare parts and user instructions if needed. DO NOT substitute parts.
- ! Consult the user manual for the list of components. Examine the product regularly to make sure that there are no loose, damaged or missing parts.
- ! Always use all parts needed for each configuration of use.
- ! Be aware of the risk of burning cigarettes, open fires and other sources of strong heat, such as electric bar fires, gas fires, etc. in the near vicinity of the crib.
- ! Before assembly, check that the product and all of its components have not been damaged during transportation. Should any part be damaged, keep out of reach of children and do not use.
- ! Make sure that the adult using the product knows exactly how it works.
- ! The product is ready for use only when all locking mechanisms are engaged. Make sure they are securely engaged before use.
- ! The crib should be locked in the fixed position when the child is left unattended.
- ! When the product is being used, and above all in “Crib Configuration”, the wheels must always be locked.

- ! All operations for opening, adjusting, fastening and installing the product must be carried out by an adult.
- ! Before using in the “Bedside sleeper Configuration” (fastened to bed), make sure the product is fastened and installed correctly.
- ! Check the tightness of the attachment system before each use by pulling the bedside sleeper in a direction away from adult bed.
- ! The fixing straps are included in the packaging. Other fastening systems should not be used.
- ! To prevent danger of choking due to the child’s head being trapped, when the crib is in the “Bedside sleeper Configuration” (fastened to the bed) it should be properly fastened to the parents’ bed with the fixing straps as explained in the instruction booklet.
- ! Before placing the child inside the crib when the product is in the “Bedside sleeper Configuration” (fastened to the bed), be sure that the fixing straps are fastened and tightened correctly. The product must be attached to the parents’ bed frame/support and there shall never be a gap between the lower side of the bedside sleeper and the mattress of the adult bed.
- ! If there are gaps between the lowest part of the Bedside sleeper crib and the parents’ mattress, DO NOT use the product.
- ! Gaps should not be filled with pillows, blankets or other items.
- ! DANGER!-Always completely raise the drop side when not attached to the adult’s bed.
- ! Placing additional items in the product may cause suffocation.
- ! To avoid hazards from the child’s neck being caught on the top rail on the side that is next to the adult bed, the top rail must not be higher than the adult bed mattress.
- ! To avoid the risk of your child being strangled the attachment system to the adult’s bed shall always be kept away from and out of the crib.
- ! A bedside sleeper shall ONLY be used once it has been securely attached to the adult’s bed or when the drop side is in the fully raised position to prevent the child falling from height.

- ! The product must always be placed on a horizontal surface. Never leave the product on a sloping surface with your child inside.
- ! Young children should not be allowed to play unsupervised in the vicinity of the crib.
- ! Do not use the product without the frame.
- ! Keep the fixing straps out of reach of children.
- ! Do not use more than one mattress in the cot. Only use the mattress that comes with the product.
- ! Only use the mattress sold with this crib, do not add a second mattress on this one, suffocation hazards.
- ! When not attached to the bed, the crib can be inclined by a maximum of 4 positions between one leg support and the other.
- ! Infants can suffocate on soft bedding. Avoid placing pillows or similar items under newborn babies for additional comfort during sleep.
- ! Use the crib in the “Bedside sleeper Configuration” (fastened to the bed) only with beds of the size indicated in the reference figure at the beginning of the manual.
- ! Do not leave anything inside the product that might reduce its depth.
- ! To prevent the child from being trapped, do not place the crib close to walls or obstacles.
- ! Do not leave any small objects inside the product that might be swallowed.
- ! Do not attach any accessories to the product that have not been supplied by the manufacturer.
- ! Do not make adjustments to the product when the child is in it.
- ! When in the “Bedside sleeper Configuration” (fastened to the bed), the crib must never be inclined.
- ! Do not move the product when the child is inside.
- ! Do not use the product with more than one child at a time.
- ! Do not place the product close to another product, which could present a danger of suffocation or strangulation, e.g. strings, blind/curtain cords, etc.

- To avoid strangulation hazards, never give children objects with strings attached, or leave these objects within their reach.
- ! Prolonged exposure to direct sunlight may cause the product’s colour to fade. After prolonged exposure of the product to high temperatures, wait a few minutes prior to putting your child in it.
 - ! All assembly fittings should always be tightened properly and that care should be taken that no screws are loose, because a child could trap parts of the body or clothing (e.g., strings, necklaces, ribbons for babies’ dummies, etc), which would pose a risk of strangulation.
 - ! Keep the product out of reach of children when it is not in use.
 - ! Be careful when the child is in the crib, that objects or bedding items do not fall into the crib.
 - ! The mattress of the adult’s bed shall be aligned to or above the height of the drop side in the lowest position.
 - ! To prevent a suffocation hazard from entrapment, the bedside sleeper shall be properly secured to the adult bed using the attachment system.

Emergency

In case of emergency or accidents, it is most important to have your child taken care of with first aid and medical treatment immediately.

Product Information

Allison Baby UK Ltd.

Venture Point, Towers Business Park,
Rugeley, Staffordshire, WS15 1UZ
www.joiebaby.com

Product	Roomie glide bedside crib
Model	P1814A
Suitable for	Child weighing under 9kg (approximately 6 months)
Materials	Plastics, metal, fabrics
Net Weight	11.94kg
Product Size	985mmx685mmx810mm
Date	Please see detailed date on label (year / month / day)
Patent No.	Patents pending
Made in	China

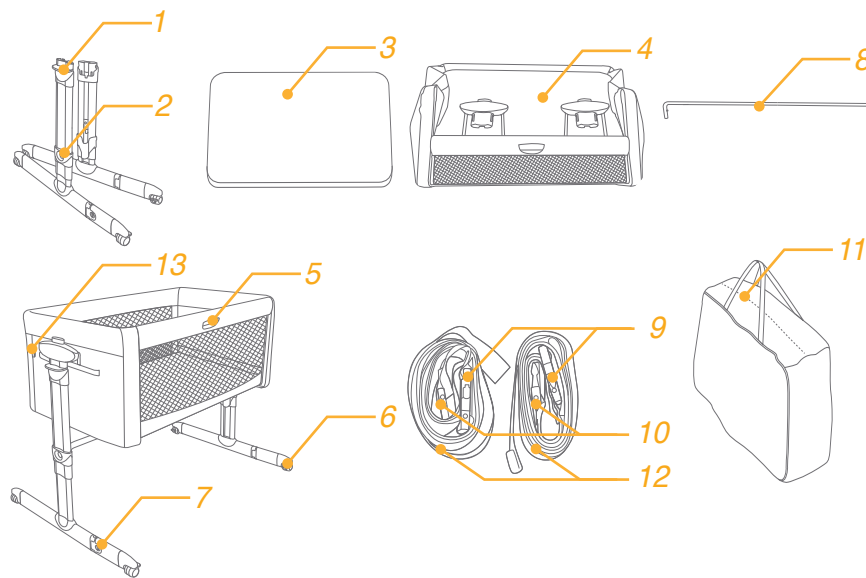
Distributor	Chickabiddy Co., Ltd
Address	5 th FL, 186, Nanking E. Rd, Sec. 4, Taipei, Taiwan 10595
Tel.	0800-001-256
Website	www.chick.com.tw

Read all the instructions in this manual before using this product. If you have any further questions, please call 0800-001-256 / 02-25781188 directly.

Parts List

Make sure all parts are available before assembly. If any part is missing, please contact local distributor. No tools are required for assembly.

- | | | |
|----------------------------|--------------------------------|-----------------------|
| 1 Height Adjuster Button | 6 Wheel | 11 Storage Bag |
| 2 Height indicator | 7 Feet rotation release button | 12 Connecting webbing |
| 3 Mattress | 8 Support Tube | 13 Buckle C |
| 4 Support Plastic Assembly | 9 Buckle A | |
| 5 Adjuster Button Rail | 10 Buckle B | |



Bedside Sleeper Assembly

see images Fig. 1 - Fig. 26

Please read all the instructions in this manual before setting up and using this product.

! Please make sure that the adjustable side rail faces in the same direction with adjustable feet.

Rocking Function Activation

see images Fig. 27 - Fig. 28

! Please lock the rocking function during using the unit as bedside sleeper. (Fig. 28)

Height Adjustment

see images Fig. 29 - Fig. 32

! The crib can be adjusted to different height positions.

! The crib can be inclined with a maximum variance of 4 positions between one leg and the other (for example: the right leg in position 5 and the left leg in position 1, see fig. (Fig. 31) & (Fig. 32)).

! It only be applicable to cradle state, but not to bedside sleeper state.

! The head of the child should always be positioned on the highest side.

Use Wheels

see images Fig. 33 - Fig. 34

At this point the crib is ready to be used.

! Do not use the crib with adjustable feet partially or totally rotated and unlocked. The correct position for use is illustrated in figure (Fig. 26). In the case of accidental knocks against adjustable feet, return them to the correct position by lifting the crib slightly.

Use Bedside Sleeper

see images Fig. 35 - Fig. 46

1. Press the button (Fig. 35-1) to drop the side down (Fig. 35-2).

2. Position next to bed (Fig. 36), Connect Buckle to roomie glide (Fig. 38) then loop strap around bed frame and connect to adjuster buckle (Fig. 39), then pull straps tight (Fig. 40).

! During fixing the crib to the parent's bed, If it is not possible to slide the feet of the crib under the parent's bed, you can rotate the adjustable feet. (Fig. 37)

3. The maximum height difference between the parents' mattress and the drop side at the lowest position is 2cm (Fig. 41)

4. The type of adult bed which can be used with bedside sleeper is shown on (Fig. 42, 43, 44), and can not be used with bedside sleeper is shown on (Fig. 45) & (Fig. 46).

! Check to make sure that the crib in the bedside sleeper mode does not interfere with the parent's bed.

! During use, make sure that the parents bed sheets, blankets etc. Do not enter and cover the interior of the crib.

! In the bedside sleeper mode the 2 legs of the crib should always be adjusted to the same height.

- ! Before every use always check to make sure that there is no space between the parent's mattress and the side of the crib. If there is, pull the belts firmly to tighten until there's no space and the permitted condition of use has been restored.
- ! Use of the product is only permitted with beds and/or mattresses with straight sides. Use of the product with round beds and/or mattresses or water beds is not permitted.
- ! When the product is used in the "bedside sleeper mode" (fixing to the bed, it should always be fitted to the long side of access to the bed. Do not fix the product to the head or bottom of the bed.

Use Storage Bag

see images Fig. 47 - Fig. 48

- ! Refer to Bedside Sleeper Assembly and perform reverse operation to fold the unit, and use the bag for convenient transportation.

Care and Maintenance

see images Fig. 49 - Fig. 51

1. The fabric cover of crib is not removable.
2. Your product can be spot cleaned with a sponge and soapy water.
3. Do not use undiluted neutral detergent, gasoline or other organic solvent to wash the product. It may cause damage to the product.
4. To wash carry bag, machine wash in lukewarm water and drip-dry. Do not use bleach.
5. At the beach or in the garden, clean sand and grit off your product. Sand in the long rail locks may cause damage.
6. From time to time, check your product for worn parts, torn material or stitching. Replace or repair the parts as needed.
7. If the product is not in use for a long period of time, please put it in the shade where your child cannot access it.



Allison Baby UK Ltd.
Venture Point, Towers Business Park,
Rugeley, Staffordshire, WS15 1UZ

bring the kids™

Share the joy at joiebaby.com

IM-000585C