

Joie™ compact stroller bag

Instruction Manual



IMPORTANT!

Read all instructions before assembling and using the stroller bag. Keep instructions for future use.

Contents:

- 3 Warranty Information
- 4 Warnings
- 6 Parts List
- 8 Packing Stroller into Stroller Bag
- 10 Using Stroller Bag
- 12 Care & Maintenance

Compatible Models:

Scan the QR code for a list of compatible stroller models for this stroller bag.



Warranty Information:

Product Registration

Please fill in the information below. The model number and the date of manufacture are located on a label on the stroller bag. Fill out the prepaid registration postcard attached to the product and mail it today. To register your product online, please visit: <https://joiebaby.com/us/register-gear>.

Model Name: _____

Model Number: _____

Date of Manufacture: _____

Date of Purchase: _____

register your
product online



Limited Warranty

We have purposely designed our high-quality products so that they can grow with both your child and your family. Because we stand by our product, our gear is covered by a custom limited warranty per product, starting from the day it was purchased. Please have the proof of purchase, model number, and date of manufacture available when you contact us. For warranty information please visit: www.joiebaby.com.

Contact

In the USA:

Joie Baby USA

Consumer Service

70 Thousand Oaks Blvd.
Morgantown, PA 19543

In Canada:

Joie Bébé Canada

Consumer Service

PO Box 96528 RPO
Brunswick, Kirkland
Quebec H9H 5L4

Email: info.us@joiebaby.com • Phone: 1-866-798-7866

WARNING

Failure to follow these warnings and instructions could result in serious injury or death.

- **NEVER** leave child unattended.
- **Choking Hazard:** Keep small parts away from children. These components may pose a choking hazard.
- **Suffocation Risk:** Remove all plastic covers before using the stroller bag. Destroy these covers or keep them completely out of reach of babies and children.
- **ALWAYS** allow the fabric to dry naturally away from direct heat.
- **DO NOT** leave the stroller bag near a strong heat source, i.e. a radiator or open fire.
- **DO NOT** store the stroller bag in a damp place.
- **Keep the stroller bag away from children** when not in use.
- **ONLY** use the stroller bag to carry the stroller and the arm bar. **DO NOT** place additional items inside the stroller bag.

WARNING

Failure to follow these warnings and instructions could result in serious injury or death.

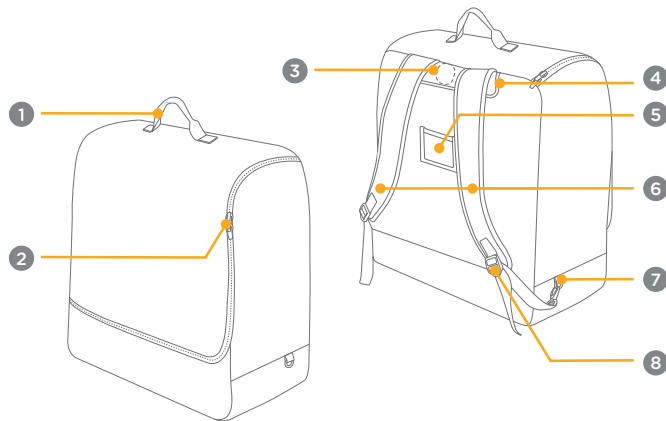
- **DO NOT** let your child play with the stroller bag.
- **DO NOT** use the stroller bag as a child or pet carrier.
- **Broken Stroller Bag:** If the stroller bag becomes damaged or broken, stop using it immediately. A damaged stroller bag can be unsafe.
- **Modification Warning: DO NOT** modify the stroller bag in any way unless specified in the manual. Unauthorized changes can compromise safety.
- **Genuine Parts Only:** Use only genuine parts and accessories from Joie.

Parts List:

Please make sure there are no missing parts. Please contact Joie Consumer Service if anything is missing.

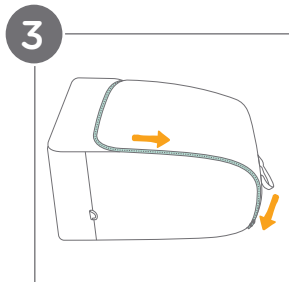
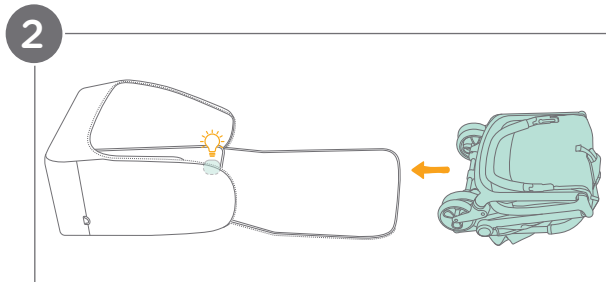
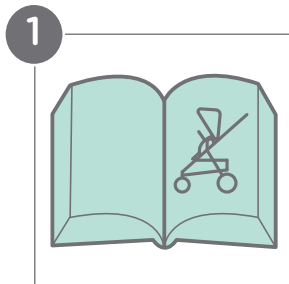
- 1 Carry Handle
- 2 Zipper
- 3 Tracking Device Pocket
- 4 Shoulder Straps Storage Pocket
- 5 Luggage Tag Pocket
- 6 Shoulder Straps
- 7 Shoulder Strap Clasp (x2)
- 8 Shoulder Strap Slide Adjuster (x2)

Parts List:



Packing Stroller into Stroller Bag:

- 1 - Remove the arm bar from the stroller and fold the stroller per the instructions in your stroller manual.
 - 2 - Unzip the stroller bag and store both the removed arm bar and the folded stroller inside the stroller bag.
- 💡 A tracking device may be added to the pocket inside the stroller bag at the top back seam.
- 3 - Zip up the zipper.



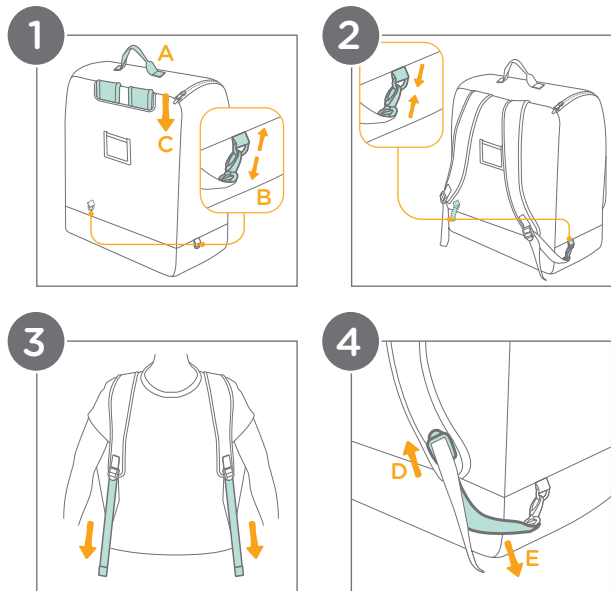
Using Stroller Bag:

- 1 - When using the carry handle (A), the shoulder straps may be unhooked (B) from the shoulder strap clasps and stored in the shoulder straps storage pocket (C).
- 2 - To reattach the shoulder straps, secure the shoulder straps to the shoulder strap clasps near the bottom of the stroller bag.
- 3 - To tighten the shoulder straps, pull the loose webbing downward.
- 4 - To loosen the shoulder straps, flip the shoulder strap slide adjuster up (D) and pull downward on the looped webbing (E).

WARNING! Keep the stroller bag away from children when not in use.

ONLY use the stroller bag to carry the stroller and the arm bar. **DO NOT** place additional items inside the stroller bag.

DO NOT use the stroller bag as a child or pet carrier.



Care & Maintenance:

Cleaning:

Refer to the attached care label for washing and drying instructions. **DO NOT** use bleach or harsh detergents.

Maintenance:

Regular inspection: Check the stroller bag regularly for loose or missing parts. Discontinue use if parts are loose or missing.

Torn material or stitching: Repair or replace torn fabric or stitching. Use only Joie replacement fabrics.

Storage:

Extreme weather exposure: Avoid excessive sun or heat exposure to prevent fading or warping of parts. Avoid storing outside or in cold conditions.

Drying after use: If the product becomes damp or wet, allow it to dry completely before storing.

Contact Joie Consumer Service at:

Email: info.us@joiebaby.com

Phone: 1-866-798-7866

Joie™

Effortlessly happy.

Helping parents be their best
with worry-free baby gear.